

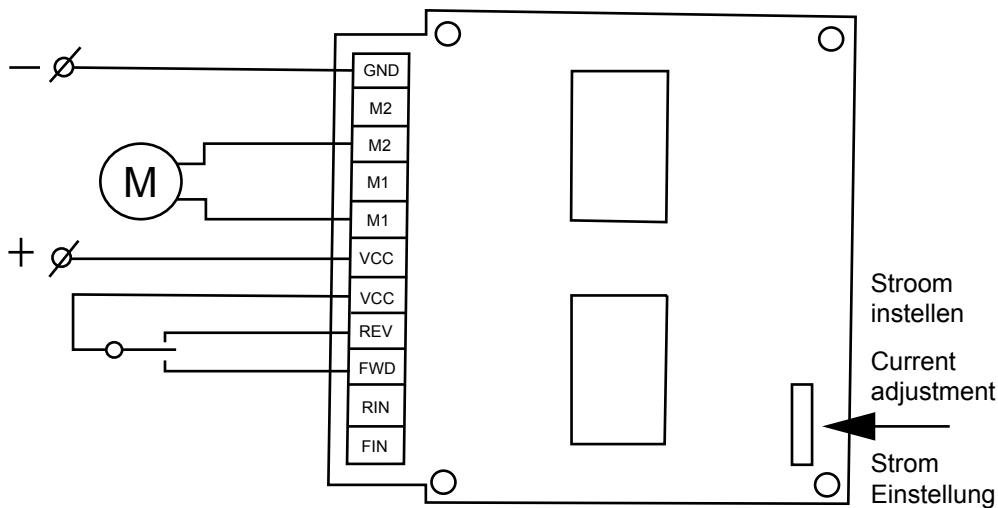
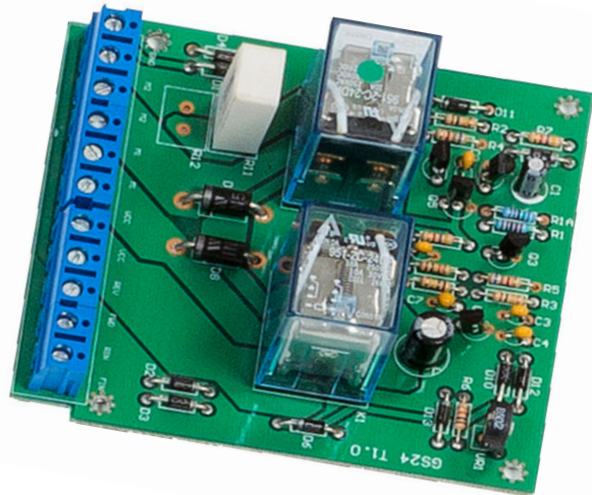
GS 12

GS 24

Stroombegrenzer voor
12 en 24 Vdc (5, 10 en 20 A max.)

Overcurrent protection for
12 and 24 Vdc (5, 10 and 20 A max.)

Strombegrenzung für
12 und 24 Vdc (5, 10 und 20 A max.)



Deze stroombegrenzer is verkrijgbaar in 3 uitvoeringen: 0-5, 0-10 en 0-20 A verstelbaar.
De afmetingen zijn 100x93x40 mm.

This overcurrent protection is available in 3 extensions: 0-5, 0-10 and 0-20 A adjustable.
The dimensions are 100x93x40 mm.

Diese Strombegrenzung ist erhältlich in 3 Ausführungen: 0-5, 0-10 und 0-20 A einstellbar.
Die Abmessungen sind: 100x93x40 mm.

Tel: +31(0)30 6081717
Mail: verkoop@aamotionandcontrol.nl
www.aamotionandcontrol.nl

Terms of Use

The user is responsible for application suitability of A&A Motion and Control products. As ongoing improvement process continues, products listed on the A&A Motion and Control website are subject to change without prior notice. Moteck reserves the right to terminate the sales or remove any product displayed on the website, or listed in its catalogues.