



 **HAND
BOOK**

3
2013

Handles, hinges and feet



As of
April 2013
the price list shall be
increased by **5.6%**

+39 0522 635111
www.bettisistemi.com

Parts
3D



Dimensioning

- Generic angle
- Round hole
- Square hole

Documentation available

- 3D drawings
- PDF

Other


- New product
- New codes for existing products
- Static load
- Technical/sales information
- Focus
- Warning
- Food-grade

Go

- Go ...
- Go to page ...
- Go to handbook ...

Product specifications

Aluminium




Robust

Different materials for the same model

Technical details in comparison

Stainless steel



Stainless steel product

- Product obtained from mechanical machining of an existing product
- Additional reinforcing
- Highlighted information

1420 →
→ **1420** →

Part numbers continued on another page

1420 End

- Product in stock
- Product **non** in stock
- Product under completion at the time of printing

Safety solution

Type of operation:
NO continuous operation!
Step by Step operation

Plastic hinges pg.27



Hinge for inside fastening p.28



Hinge outside/inside p.30

2 SPOT-FACINGS



Hinge for outside fastening p.32

4 SPOT-FACINGS



90° hinge p.34

90° END-OF-TRAVEL STOP



90° hinge outside/inside p.35

90° END-OF-TRAVEL STOP



90° hinge for glass doors p.36

90° END-OF-TRAVEL STOP



Hinge for outside fastening p.37



Hinge low-cost p.38



Plastic hinge with safety stop with fixed positions for outside fastening

NEW

p.38/a

















Plastic hinge with adjustable clutch for outside fastening

NEW

p.38/c



Alluminium hinges pg.40

 <p>4 SPOT-FACINGS</p> <p>Hinge for outside fastening p.40</p>	 <p>EMBEDDED</p> <p>Hinge for folding doors p.41</p>	 <p>REINFORCED</p> <p>Hinge for folding doors p.42</p>	 <p>Hinge for inside fastening p.48</p>
 <p>LONG-LONG BASE</p> <p>Hinge for outside fastening p.43</p>	 <p>SHORT-LONG BASE</p> <p>Hinge for outside fastening p.44</p>	 <p>SHORT-SHORT BASE</p> <p>Hinge for outside fastening p.45</p>	 <p>Hinge for inside fastening p.50</p>
 <p>LONG-LONG BASE</p> <p>Low-cost hinge for outside fastening p.58</p>	 <p>SHORT-LONG BASE</p> <p>Low-cost hinge for outside fastening p.56</p>	 <p>SHORT-SHORT BASE</p> <p>Low-cost hinge for outside fastening p.54</p>	 <p>LONG-LONG BASE</p> <p>Hinge for external fastening reduced dimension p.60</p>
 <p>SHORT-LONG BASE</p> <p>For outside reinforced fastening p.51</p>	 <p>LONG-LONG BASE</p> <p>For outside reinforced fastening p.52</p>	 <p>DOUBLE</p> <p>For outside reinforced fastening p.53</p>	 <p>DOUBLE</p> <p>Central part for double hinge p.46</p>
 <p>NEW</p> <p>For outside fastening with complanar U-support p.49/a</p>	 <p>NEW</p> <p>For outside fastening with complanar U-support p.49/c</p>		
			 <p>BETTI SISTEMI Original B COMPONENTS</p>

Stainless steel hinges pg.62

<p>Stainless steel 4 SPOT-FACINGS</p> <p>Hinge for outside fastening p.62</p>	<p>Stainless steel</p> <p>Weldable hinge p.63</p>	<p>Stainless steel</p> <p>Embedded hinge p.64</p>	<p>Stainless steel WELDABLE OR SCREWABLE</p> <p>For inside fastening "U" mount p.66</p>
<p>Stainless steel Electropolished</p> <p>Weldable hinge with glue locking p.68</p>	<p>Stainless steel Microball-blasted</p> <p>Weldable hinge with glue plate locking p.69</p>	<p>Stainless steel Microball-blasted</p> <p>Screwable hinge with plate locking p.70</p>	<p>Stainless steel Microball-blasted</p> <p>Screwable hinge with plate locking p.71</p>
<p>Stainless steel Microball-blasted</p> <p>Weldable hinge with plate locking p.72</p>	<p>Stainless steel Polished</p> <p>Screwable hinge with plate locking p.73</p>	<p>Stainless steel Polished SANITIZABLE ON THE INSIDE</p> <p>Screwable hinge with button locking p.74</p>	<p>Stainless steel Polished SANITIZABLE ON THE INSIDE</p> <p>Screwable hinge with button locking p.75</p>
<p>Stainless steel Microball-blasted NEW</p> <p>SANITIZABLE ON THE INSIDE</p> <p>Screwable hinge with button locking p.80</p>			
<p>Stainless steel Polished PHARMA SANITIZABLE ON THE INSIDE</p> <p>Weldable hinge with plate locking p.76</p>	<p>Stainless steel Polished PHARMA SANITIZABLE</p> <p>Weldable hinge with plate locking p.77</p>	<p>Stainless steel Polished PHARMA SANITIZABLE</p> <p>Weldable hinge with button locking p.78</p>	<p>Stainless steel Polished PHARMA SANITIZABLE</p> <p>Weldable hinge with button locking p.79</p>
			<p>NEWS 3</p>

Bridge handles (opened) pg.83

Stainless steel

PHARMA



Handle in tube Ø20 p.89

Stainless steel

PHARMA



Fastening pin and weldable end cap p.144

Stainless steel

PHARMA



Bottono di fissaggio pannello a saldare p.146

Stainless steel

PHARMA



Round tubular handle Ø10 p.91

Stainless steel

PHARMA



Round tubular safety handle Ø10 p.92

Stainless steel

PHARMA



Oval cross-section handle p.93

Alluminium



Oval cross-section handle p.95



Snap-fit screw cap p.104



In polyamide distance between centres 93,5/116 mm p.84 p.86

WITH SHIELD



In polyamide distance between centres 116 mm p.100







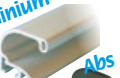
NEW



Tilted base handle p.88

BETTI SISTEMI
Original **B**
COMPONENTS

Safety handles (closed) pg.96

 <p>In polyamide distance between centres 93,5 mm p.96</p> 	 <p>In polyamide distance between centres 93,5 mm p.98</p> 	<p>WITH SHIELD</p>  <p>NEW</p> <p>In polyamide distance between centres 93,5 mm p.102</p> 	 <p>Snap-fit screw cap p.105</p>
 <p>Closed handle with inclined base p.106</p> 	<p>Stainless steel</p>  <p>Handle for sliding door p.107</p> 	<p>Aluminium</p>  <p>Safety handle p.108</p> 	<p>Aluminium</p>  <p>Profile for custom-made handles, RH/LH end cap p.109</p> 
			

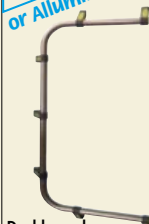
Modular handles pg.110

Stainless steel
or Aluminium



Angled handle kit
Ø28-Ø30 tube p.110

Stainless steel
or Aluminium



Double-angle
Ø28-Ø30 tube kit p.112

Stainless steel

PHARMA

WITHOUT HINGE

Tubular handle p.142

Stainless steel

PHARMA

WITH INTEGRATED HINGE

Tubular handle with integrated hinges p.143

Aluminium



Reinforced Ø30 tube kit,
540 mm long p.128

Stainless steel
or Aluminium



Ø28-30 tube kit
540 mm long p.114

Stainless steel
or Aluminium



Ø28-30 tube kit
840 mm long p.116

Aluminium



Reinforced Ø30 tube kit,
840 mm long p.129

HEAD Ø28



Safety coupling p.118

INTERMEDIATE Ø28



Safety coupling p.120

HEAD Ø30



Safety coupling p.122

INTERMEDIATE Ø30



Ø30 safety coupling p.124



End cap p.126



Threaded button p.127



Reinforced coupling Ø30 p.130



Reinforced coupling Ø30 p.131

<p>Stainless steel</p>  <p>Tube p.132</p>	<p>Aluminium</p>  <p>Elox</p> <p>Tube p.134</p>	<p>Aluminium</p>  <p>NEW</p> <p>Elox</p> <p>28Ø connection tube with internal stiffening beads p.134/a</p>	 <p>End cap p.136</p>
<p>Stainless steel or Aluminium</p>  <p>Hot-rolled tube bent to L-shape p.140</p>	<p>Stainless steel or Aluminium</p>  <p>Hot-rolled tube bent to C-shape p.141</p>		
<p>Other handles pg.148 </p>			
<p>Zamak</p>  <p>Cremona handles for doors p.148</p>	<p>Aluminium</p>  <p>Handle with latch for sliding doors p.149</p>	<p>Stainless steel</p>  <p>Handlebar p.150</p>	
			

Fermaporte a scatto pg.153

 <p>V-shaped with snap release for base p.154</p>	 <p>V-shaped with snap release p.156</p>	<p>STAINLESS STEEL MOUNT</p>  <p>V-shaped with snap release p.161</p>	<p>Stainless steel</p>  <p>V-shaped stainless steel with snap release p.162</p>
<p>SPRING</p>  <p>With snap release p.160</p>	<p>SPRING</p>  <p>With manual release p.163</p>	<p>SPRING</p>  <p>With manual release p.158</p>	<p>SPRING</p>  <p>Spring latch with manual release p.164</p>
<p>SPRING</p>  <p>Spring latch with snap release p.159</p>	<p>WITH CLIPSE</p>  <p>Clip doorstop p.175</p>		

Magnet doorstops pg.165














 <p>FIXED MAGNET</p> <p>With magnet p.165</p>	 <p>FIXED MAGNET</p> <p>With magnet p.166</p>	 <p>FIXED MAGNET</p> <p>With magnet p.168</p>	 <p>Doorstop with adjustable magnet p.171</p>
 <p>MAGNET ADJUSTABLE</p> <p>With magnet p.172</p>	 <p>Magnet doorstop for direct fitting p.173</p>	 <p>With magnet p.173</p>	 <p>MAGNET ADJUSTABLE</p> <p>With magnet p.174</p>
 <p>MAGNET ADJUSTABLE</p> <p>With magnet p.174</p>	 <p>With magnet p.175</p>	<p>NEW</p>  <p>For swing doors with striker plate for handle p.175/a</p>	<p>NEW</p>  <p>For swing doors without frame with button striker plate p.175/b</p>
			<p>NEWS 3</p> 

Other doorstops pg.176

 <p>Key lock p.176</p>	 <p>Special key lock p.177</p>	 <p>Key lock p.178</p>	<p>Stainless steel</p>  <p>Key lock p.179</p>
 <p>Lock with key p.180</p>	 <p>Mechanical parts p.181</p>	 <p>Mechanical safety lock kit with knob p.182</p>	<p>Stainless steel</p>  <p>Lever handle p.183</p>
			



Polyamide feet pg.185

 <p>Articulated foot p.188</p>	 <p>Articulated foot p.190</p>	 <p>Articulated foot p.192</p>	
 <p>Articulated foot p.194</p>	 <p>Articulated foot p.196</p>	 <p>Articulated foot for floor-mounting p.198</p>	 <p>Articulated foot for floor-mounting p.200</p>
 <p>Articulated foot p.202</p>	 <p>Articulated foot for floor-mounting p.204</p>	 <p>Articulated foot for floor-mounting p.206</p>	 <p>Characteristics of polyamide feet p.186</p>
 <p>Articulated foot for floor-mounting p.208</p>	 <p>Articulated foot kit and cap for tube p.209</p>	 <p>Articulated foot kit and cap for tube p.210</p>	 <p>Articulated foot kit and cap for tube p.211</p>
 <p>Articulated foot kit and cap for tube p.212</p>	 <p>Articulated foot kit and cap for tube p.213</p>	 <p>Tube mounting base p.244</p>	 <p>Profile mounting base 45x45 p.246</p>





Stainless steel feet pg.214

<p>Stainless steel</p> <p>NEW</p> <p>Ø50</p> <p>Articulated foot p.214</p>	<p>Stainless steel</p> <p>NEW</p> <p>Ø80</p> <p>Articulated foot p.215</p>	<p>Stainless steel</p> <p>NEW</p> <p>Ø100</p> <p>Articulated foot p.216</p>	<p>Stainless steel</p> <p>NEW</p> <p>PHARMA</p> <p>Ø60</p> <p>Adjustable foot p.217</p>
<p>Stainless steel or galvanised steel</p> <p>Ø113</p> <p>Articulated foot for floor-mounting p.218</p>	<p>Stainless steel</p> <p>Ø123</p> <p>Articulated foot for floor-mounting p.219</p>	<p>Stainless steel</p> <p>SELF-SUPPORTING</p> <p>Adjustable base with tube Ø48,3 p.220</p>	<p>Stainless steel</p> <p>ALSO WITHOUT FEET</p> <p>Tripod mounting base p.243</p>
<p>Stainless steel</p> <p>NEW</p> <p>Articulated foot Ø75 p.217/a</p>	<p>Stainless steel</p> <p>NEW</p> <p>Articulated foot Ø75 p.217/b</p>	<p>Stainless steel</p> <p>PHARMA</p> <p>NEW</p> <p>Articulated foot Ø80 p.217/c</p>	<p>Stainless steel</p> <p>PHARMA</p> <p>NEW</p> <p>Articulated foot Ø80 p.217/d</p>
<p>Stainless steel</p> <p>PHARMA</p> <p>NEW</p> <p>Articulated foot Ø100 p.217/e</p>			
			<p>NEWS 3</p>



Wheels pg.222

 <p>WITHOUT BRAKE</p> <p>Pivoting wheel Ø100 with flange p.222</p>	 <p>WITH BRAKE</p> <p>Ruota Ø100 piroettante con flangia p.223</p>	 <p>WITHOUT BRAKE</p> <p>Pivoting wheel with flange p.224</p>	 <p>WITH BRAKE</p> <p>Pivoting wheel with flange p.225</p>
 <p>HIGH CAPACITY WITHOUT BRAKE</p> <p>Fixed wheel with flange p.226</p>	 <p>HIGH CAPACITY WITHOUT BRAKE</p> <p>Pivoting wheel with flange p.227</p>	 <p>HIGH CAPACITY WITH BRAKE</p> <p>Pivoting wheel with flange p.228</p>	 <p>HIGH CAPACITY WITH BRAKE</p> <p>Pivoting wheel with flange p.229</p>
 <p>WITHOUT BRAKE</p> <p>Pivoting wheel p.230</p>	 <p>WITH BRAKE</p> <p>Pivoting wheel p.231</p>	 <p>WITHOUT BRAKE</p> <p>Twin pivoting wheel p.232</p>	<p>Stainless Steel</p>  <p>Anti-rotation plate p.233</p>
			





Treaded caps and end caps for tubes pg.234




 Threaded cap for tube in inches p.234	 End cap for tube in inches p.235	 Support head Ø48.3 p.236	 Threaded cap for tube Ø48.3 p.236
 Threaded cap for tube 25x25 p.237	 End cap 25X25 p.238	 Threaded cap for tube 30x30 p.239	 End cap for tube 30x30 p.240
 Threaded cap for tube 50x50 p.241	 End cap 50x50 p.242		

Tubes pg.248



 Round tube p.248	 Square tube 25x25 p.248	 Square tube 30x30 p.249	 Square tube 50x50 p.249
---	---	---	--



Technical information

 Resistance to chemical agents p.256	 Surface finishing p.264	 Characteristics of polyamide feet p.186	
---	--	--	--








Solutions

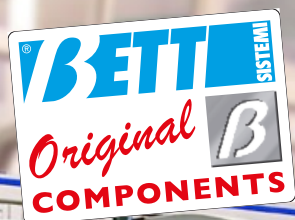
	
--	---

p. 15
 p. 24
 p. 25
 p. 139
 p. 151
 p. 170

p. 193
 p. 221
 p. 250
 p. 251
 p. 270

Sales information

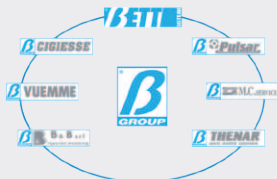
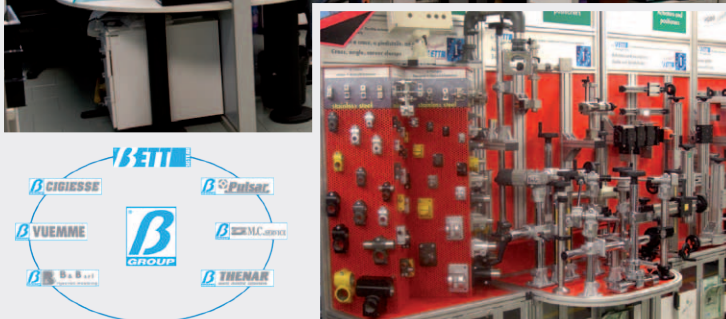
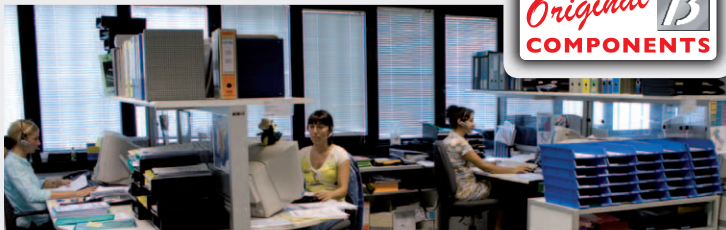
 How we supply the components-KanBan p.256	 How we supply the components - Consignment Stock p.254	 Index by part p.265	 General conditions of sale p.266
 Bettsistemi whole range p. 271	 Lean thinking philosophy p. 276	 "Lean Thinking" basic course p. 277	

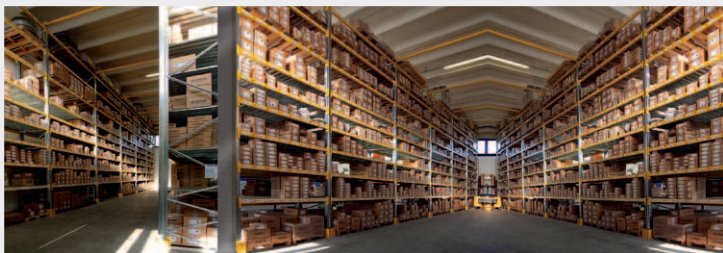




Production
Research and Development
Marketing
Distribution

A young company with a 30-year experience, Bett Sistemi was established in 1994. The founding partner is an entrepreneur who has been in the industry of innovative standard components for over 30 years. Bett Sistemi, which is ISO 9001 and ISO 14001-certified, today is with B group a leader in the design and manufacture of innovative components and systems, dedicated to flexible automation and machine safety.





COMPANY
WITH QUALITY SYSTEM
CERTIFIED BY DNV

UNI EN ISO 9001:2008

Certificate No.

CERT-01613-97-AQ-BOL-SINCERT

COMPANY WITH
ENVIRONMENTAL MANAGEMENT
SYSTEM CERTIFIED BY DNV

UNI EN ISO 14001:2004

Certificate No.

70464-2010-AE-ITA-SINCERT



Bett Sistemi only one partner

From the manufacturer
directly to the
"consumer"



Low prices thanks
to the
"direct channel"

We manufacture most of
the components we offer



Production site
Correggio, (RE) Italy
7000 m2 covered space

Certifications

COMPANY
WITH QUALITY SYSTEM
CERTIFIED BY DNV
UNI EN ISO 9001:2008
Certificate No.
CBRT01613-97 AQ-BCL-SINCEIT

COMPANY WITH
ENVIRONMENTAL MANAGEMENT
SYSTEM CERTIFIED BY DNV
UNI EN ISO 14001:2004
Certificate No.
704684 2010-AE-ITA-SINCEIT



Laboratory of industrial research
Art. n.14 of ministerial decree n.591 of 5 agosto 2000
Ministero dell'Università
dell'Università e della Ricerca

Always at your
disposal



The support of an
efficient sales
team

Contact us for any
information and advice
you may need from
Monday to Friday from
08:00 to 18:00 or leave
a message on the answer
phone and we will call
you back by 10:00 the
next day.

Tel: +39 0522 635111

The support of an
expert technical team



The support of an
after-sales service

Tel: +39 0522 635247

Creators
of standards



Out of your
requests, we
create new
standards

If you can't find what
you need over 10000
standard components in
our catalogues,
just send us your requests
or drawings and our
engineers will study new
standards suited to your
requirements.

To get the updates
on new products and
applications, go to our
site or register to receive
our monthly newsletter:

www.bettsistemi.com

to satisfy your **every** need

**It is easy and fast
to place an order**



**You can choose
from over 10000
items:**

www.bettsistemi.com

And order them:

By phone:

+39 0522 635257

By fax

+39 0522 635222

Min. amount invoiceable:

€40,00 (net of VAT)

Prices are ex works.

**Express
delivery**



**For orders received
by 14:00, delivery
in 1 or 3 days**

For orders received before 14:00, the items in stock (i) will be collected by the courier on the same day* and delivered within 3 days* in all the provincial capitals if you choose **standard service**, or in 1 day* if you choose **express service** (10% extra charge on the value of the goods).

*Only for payments with Credit Card or PayPal

Note: the above refers to Italy, for all shipments to foreign countries, please contact our Sales Department.

**Easy
payment**



**Choose the
payment method
you prefer**

- Credit card (immediate payment receipt)
- PayPal (immediate payment receipt)
- Bank wire transfer* (payment receipt within 72 hours, see Point 5 of our General Conditions of Sale)

* Banca Popolare dell' Emilia Romagna
Branch Correggio/BAN:
IT42R053876632
0000000661859
SWIFT: BPMOIT22



delivery in 3
days



express
delivery

Goods collection:
**via della Costituzione, 55
42015 Correggio, Italy**

The Italian Quality

Why do the **BETT SISTEMI** "Original components" come in handbook format?
You'll soon find out that they are

- Practical
- Complete
- Immediate
- Specific
- Original
- Complementary
- Accurate
- Ecological
- Young



Collection

Components



You'll soon find out that ordering components has never been this practical, easy and fast.

BETT SISTEMI

is ready to supply its "Original components" in:




Parts
3D




www.bettsistemi.com

KanBan



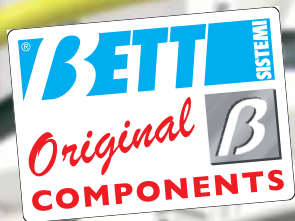
Pg. 252

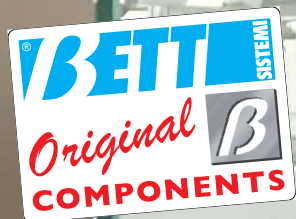
Consignment
Stock

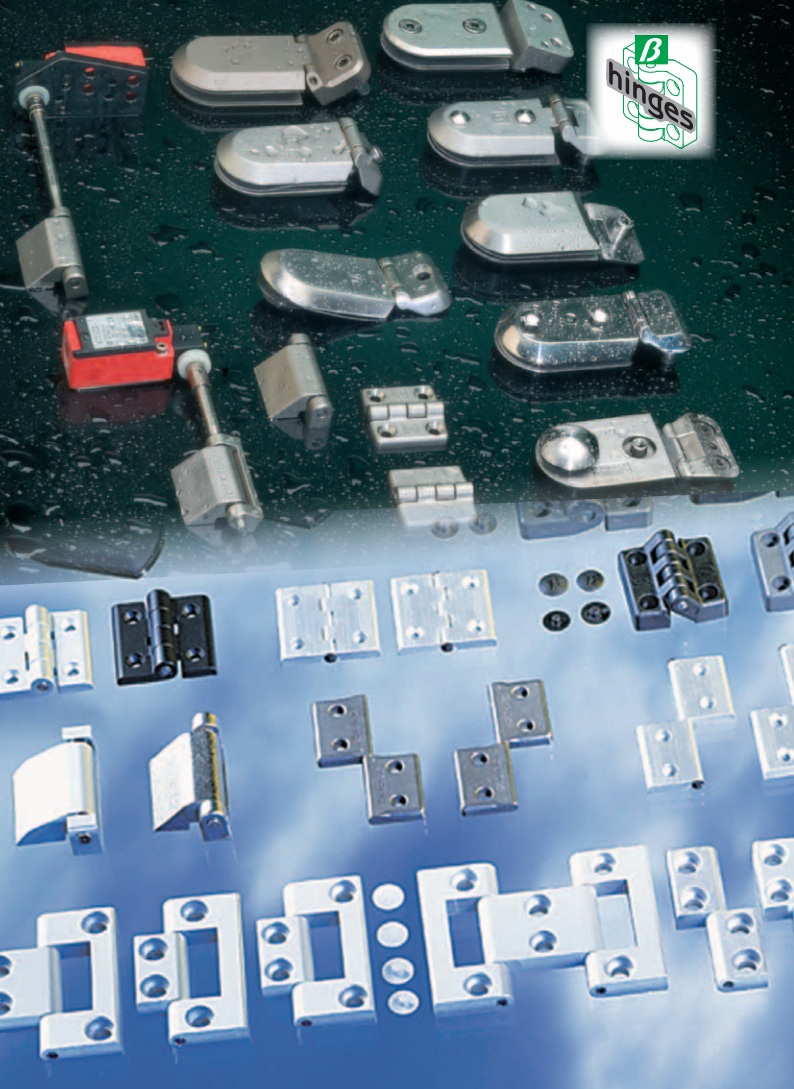


Pg. 254

BETT SISTEMI is the **ideal partner** to handle your every supply need.







Hinges



In plastic

.....

③ p.28



In aluminium

.....

③ p.40



In stainless steel

.....

③ p.62



WARNINGS

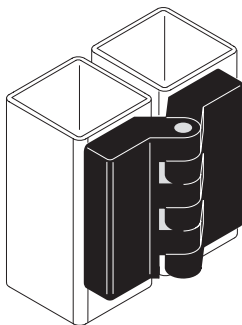
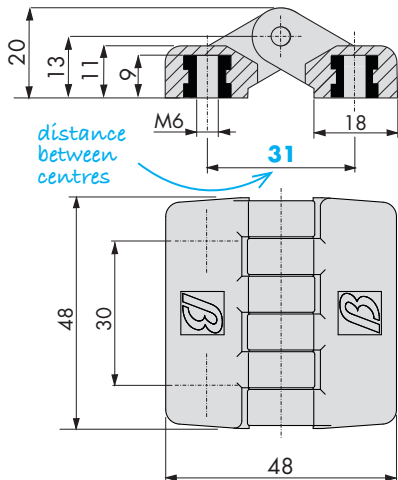
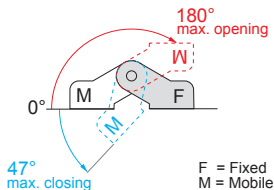
Only the Italian version of this catalogue is to be understood as the original version. Belt Sinter shall not be held liable for any translation or transcription errors. The information contained in this catalogue is exclusively meant for component description purposes and shall not be understood as a statement made by Belt Sinter regarding a specific characteristic of the component or its suitability for a specific use. The data provided shall not relieve the customers from their responsibilities in selecting and using any and all components. All information is based on the data available at the time of publishing and is not binding. Belt Sinter shall not be held liable for any incomplete or wrong information, and for any damage which may arise in connection with such information. The products may be modified at any time without prior notice, we therefore recommend that you always check the product updates at the website www.beltsinter.com

912 → For **inside** fastening

Use: where maximum accessibility is required and the screws may not be visible on the outside.

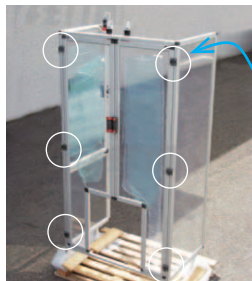
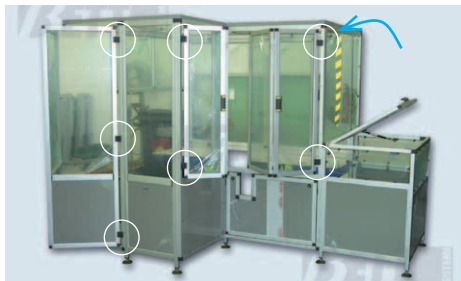
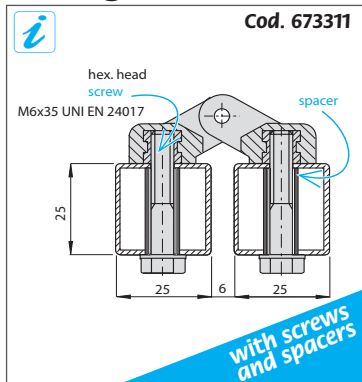
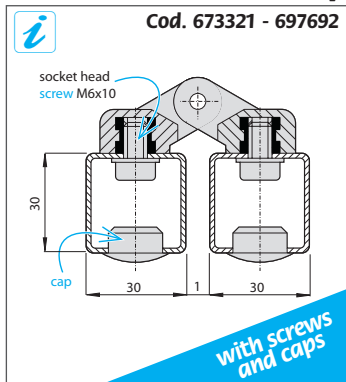
Material: polyamide hinge, brass threaded bushings, steel pin, nuts and bolts (see table).

Characteristics: for commercial M6 socket head nuts and bolts.



↓ 912

For **inside** fastening



QUANTITY DISCOUNT

Q.ty Disc.	1+	6+	12+	24+
	-	-10%	-17%	on request

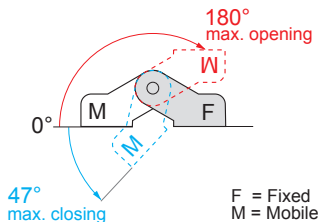
Order code	Pack	Version	Material pin, nuts and bolts	Color hinge	Weight g	Stock	€ piece
652392	12 pz	w/out nuts and bolts	stainless steel AISI303	black RAL9005	38	✓	5,57
673471	12 pz	w/out nuts and bolts	galvanised	black RAL9005	38	✓	5,17
673321	12 pz	w. screw and caps	stainless steel AISI303	black RAL9005	42	✓	7,21
697692	12 pz	w. screw and caps	galvanised	grey RAL7016	42	✓	6,06
673311	12 pz	w. screw and spacers	stainless steel AISI303	black RAL9005	63	✓	7,21

1160 → For **outside/inside** fastening

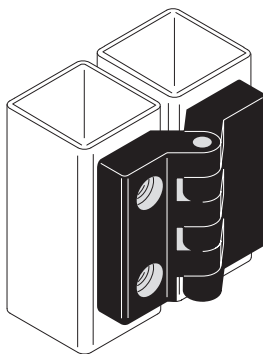
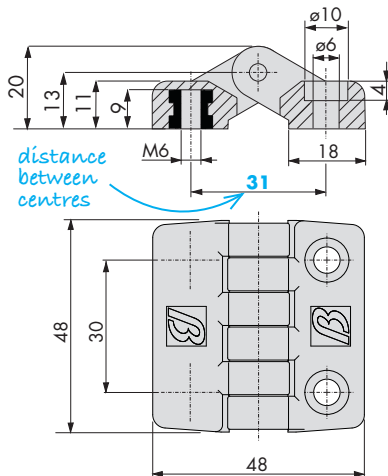
Use: when unambiguous identification of the part to be unscrewed is required for door removal.

Material: polyamide hinge, brass threaded bushings, steel pin, nuts and bolts (see table).

Characteristics: for commercial M6 socket head nuts and bolts in the versions with inside spot-facing.

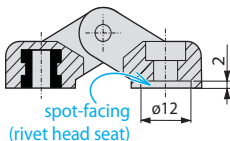


F = Fixed
M = Mobile

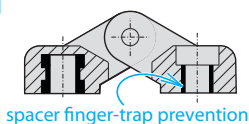


↓ 1160 For **outside/inside** fastening

i Cod. 652402 - 697981 - 652462



i Cod. 652452 - 673451



QUANTITY DISCOUNT

Q.ty Disc.	1+	6+	12+	24+
	-	-10%	-17%	on request

Order code	Pack	Version	Material pin, nuts and bolts	Colour hinge	Weight g	Stock	€ piece
652482	12 pcs	w/out nuts and bolts	stainless steel AISI303	black RAL9005	38	■	5,13
652472	12 pcs	w/out nuts and bolts	galvanised	black RAL9005	38	■	4,53
652402	12 pcs	w. inside spot-facing	stainless steel AISI303	black RAL9005	38	✓	5,32
652462	12 pcs	w. inside spot-facing	galvanised	black RAL9005	38	■	5,02
697981	12 pcs	w. inside spot-facing	galvanised	grey RAL7016	38	✓	5,32
652452	12 pcs	with spacers	stainless steel AISI303	black RAL9005	38	✓	5,18
673451	12 pcs	with spacers	galvanised	black RAL9005	41	✓	5,02
673331	12 pcs	with screws and spacers	galvanised	black RAL9005	60	✓	5,63
673341	12 pcs	with screws and spacers	galvanised	grey RAL7016	60	■	5,63

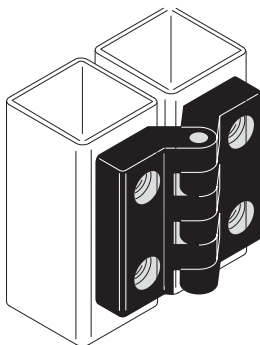
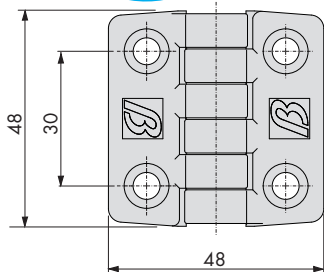
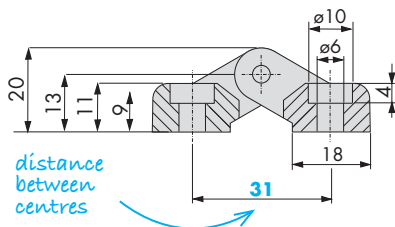
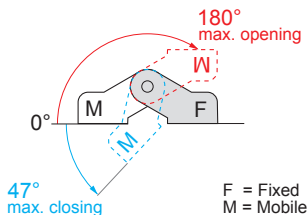
• **Products not in stock** minimum order: 300 pieces, delivery in 15 days.

1287 → For **outside** fastening

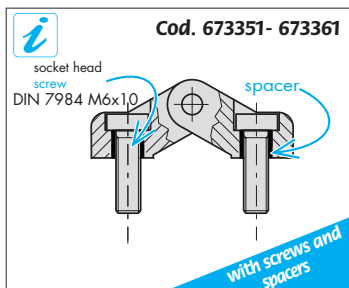
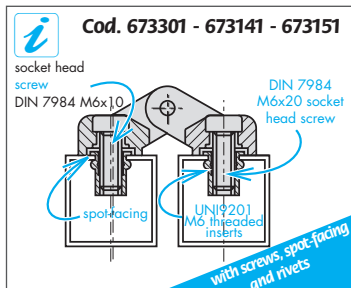
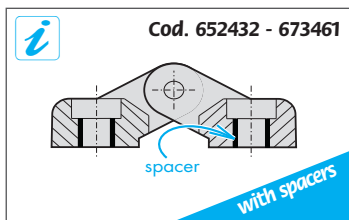
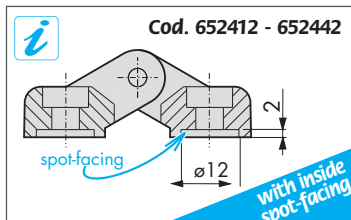
Use: for hinge fastening to a tube having a thickness of less than 2 mm. 180° opening.

Material: polyamide hinge, steel pin, nuts and bolts (see table).

Characteristics: for commercial M6 socket head nuts and bolts with provision for threaded tubular rivet in the versions with inside spot-facing.



↓ 1287 For **outside** fastening



QUANTITY DISCOUNT

Q.ty Disc.	1+	6+	12+	24+
	-	-10%	-17%	on request

Order code	Pack	Version	Material pin, nuts and bolts	Colour hinge	Weight g	Stock	€ piece
652422	12 pcs	w /out nuts & bolts	stainless steel AISI303	black RAL9005	30	✓	4,07
665811	12 pcs	w /out nuts & bolts	galvanised	black RAL9005	40	✓	3,88
665821	12 pcs	w /out nuts & bolts	galvanised	gray RAL7016	40	✓	3,88
652412	12 pcs	w. inside spot-facing	stainless steel AISI303	black RAL9005	30	✓	5,07
652442	12 pcs	w. inside spot-facing	galvanised	black RAL9005	30	✓	5,07
652432	12 pcs	with spacers	stainless steel AISI303	black RAL9005	30	✓	5,07
673461	12 pcs	with spacers	galvanised	black RAL9005	30	✓	4,88
673301	12 pcs	w. screws, spot-facing, rivets	stainless steel AISI303	black RAL9005	38	✓	10,82
673141	12 pcs	w. screws, spot-facing, rivets	galvanised	black RAL9005	54	✓	5,07
673151	12 pcs	w. screws, spot-facing, rivets	galvanised	gray RAL7016	54	✓	5,07
673351	12 pcs	w. screws and spacers	galvanised	black RAL9005	60	✓	5,48
673361	12 pcs	w. screws and spacers	galvanised	gray RAL7016	60	✓	5,48

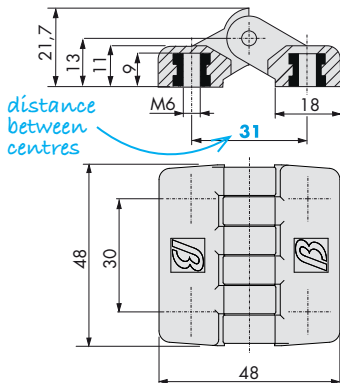
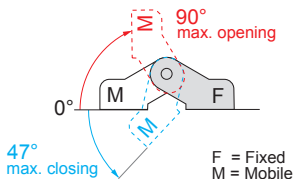
1414 At 90° for outside/inside fastening

Use: for panel or shelf fastening, if the opening must not exceed 90°.

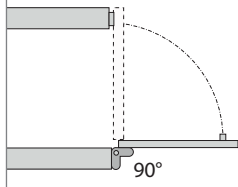
Material: polyamide hinge, brass threaded bushings, steel pin (see table).

Characteristics: for commercial M6 socket head nuts and bolts with provision for threaded tubular rivet in the versions with inside spot-facing.

State of supply: hinge complete with 4 M6 brass threaded bushings.



i Possibility of embedded fitting for foldaway support shelves



QUANTITY DISCOUNT

Q.ty Disc.	1+	6+	12+	24+
	-	-10%	-17%	on request

Order code	Pack	Version	Material pin, nuts and bolts	Colour hinge	Weight g	Stock	€ piece
618662	12 pcs	w /out nuts & bolts	galvanised	black RAL9005	45	✓	4,72

4127

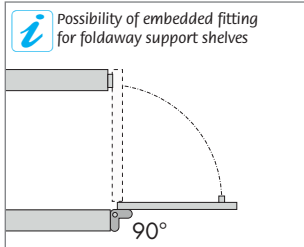
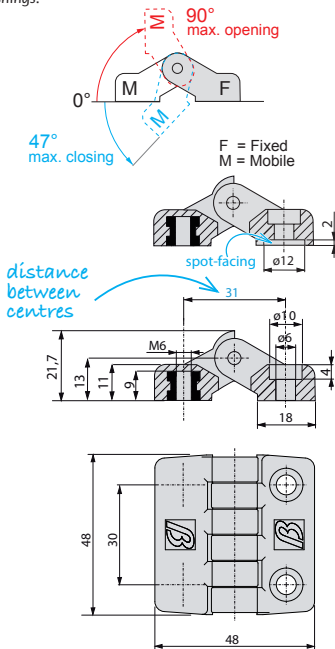
At 90° outside/inside fastening

Use: for panel or shelf fastening, if the opening must not exceed 90°.

Material: polyamide hinge, brass threaded bushings, steel pin (see table).

Characteristics: for commercial M6 socket head nuts and bolts with provision for tubular threaded rivet.

State of supply: hinge complete with 2 M6 brass threaded bushings.



QUANTITY DISCOUNT

Q. ty	1+	6+	12+	24+
Disc.	-	-10%	-17%	on request

Order code	Pack	Version	Material pin, nuts and bolts	Colour hinge	Weight g	Stock	€ piece
690787	12 pcs	w /out nuts & bolts	stainless steel AISI303	black RAL9005	34	✓	5,00

2865

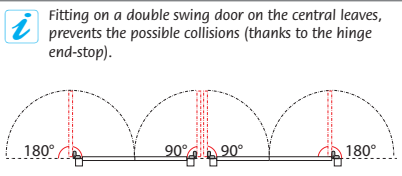
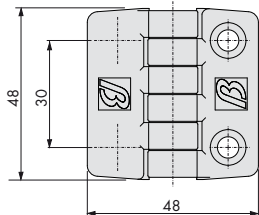
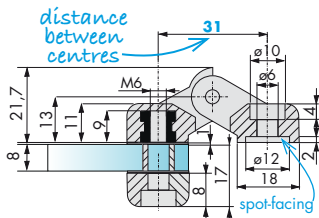
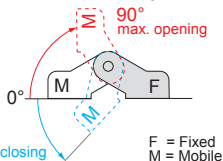
At 90° for outside/inside fastening for glass panels

Use: for fastening 8mm thick glass doors to a less than 2mm thick tube, when the opening must not exceed 90° for space reasons or due to possible collision with other panels.

Material: polyamide hinge and striker plate, brass threaded bushings, thermoplastic rubber seals, steel pin, nuts and bolts.

Characteristics: for commercial M6 socket head nuts and bolts with provision for tubular threaded rivet.

State of supply: hinge complete with striker plate, 4 DIN 7984 M6x20 screws, 2 brass threaded bushings, 2 seals.



i Fitting on a double swing door on the central leaves, prevents the possible collisions (thanks to the hinge end-stop).

QUANTITY DISCOUNT

Q.ty Disc.	1+	6+	12+	24+
	-	-10%	-17%	on request

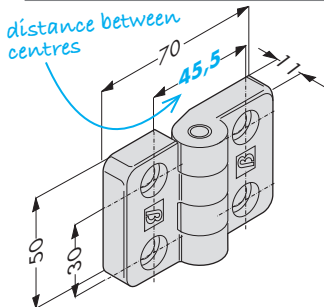
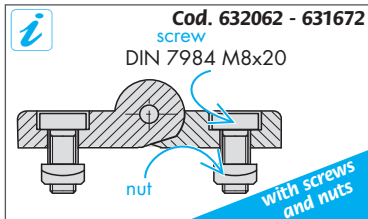
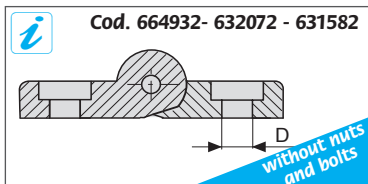
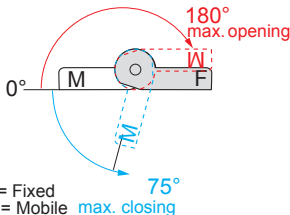
Order code	Pack	Version	Material pin, nuts and bolts	Colour hinge	Weight g	Stock	€ piece
689855	12 pcs	with screws	stainless steel AISI303	grey RAL7016	65	✓	9,14

813

 For **outside** fastening

Use: for large doors.

Material: polyamide hinge, steel pin, nuts and bolts (see table).

Characteristics: for standard M6/M8 socket head nuts and bolts.

QUANTITY DISCOUNT

Q.ty Disc.	1+	12+	24+	48+
	-	-10%	-17%	on request

Order code	Pack	Version	D Ø	Material pin, nuts and bolts	Colour hinge	Weight g	Stock	€ piece
664932	24 pcs	w/out nuts & bolts	M6	galvanised	black RAL9005	52	✓	5,77
632072	24 pcs	w/out nuts & bolts	M8	galvanised	black RAL9005	51	✓	5,77
631582	24 pcs	w/out nuts & bolts	M8	galvanised	grey RAL7016	113	✓	5,77
632062	24 pcs	w. screws & nuts	M8	galvanised	black RAL9005	105	✓	6,18
631672	24 pcs	w. screws & nuts	M8	galvanised	grey RAL7016	113	✓	6,18

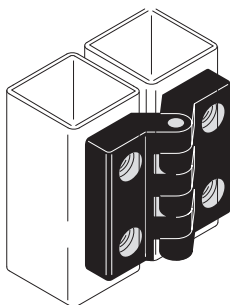
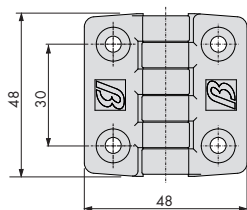
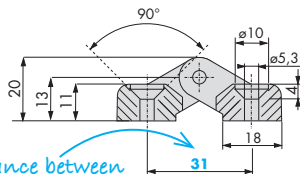
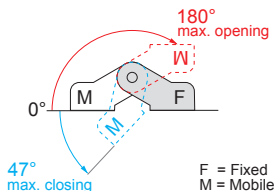
1995 Polyamide hinge

low-cost

Use: for hinge fastening to a tube having a thickness of less than 2 mm. 180° opening.

Material: polyamide hinge, steel pin, nuts and bolts (see table).

Characteristics: for commercial M5 countersunk head nuts and bolts.



QUANTITY DISCOUNT

Q.ty Disc.	1+	6+	12+	24+
	-	-10%	-17%	on request

Order code	Pack	Version	Material pin, nuts and bolts	Colour hinge	Weight g	Stack	€ piece
676198	12 pcs	w /out nuts & bolts	stainless steel AISI 303	black RAL9005	34	✓	4,58
676208	12 pcs	w /out nuts & bolts	stainless steel AISI 303	grey RAL7016	34	■	4,58
658923	12 pcs	w /out nuts & bolts	galvanised	black RAL9005	34	✓	3,88
659793	12 pcs	w /out nuts & bolts	galvanised	grey RAL7016	34	■	3,88

•Products not in stock minimum order: 288 pieces, delivery in 15 days.

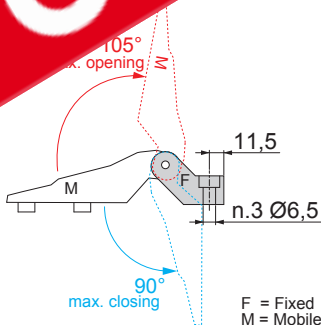
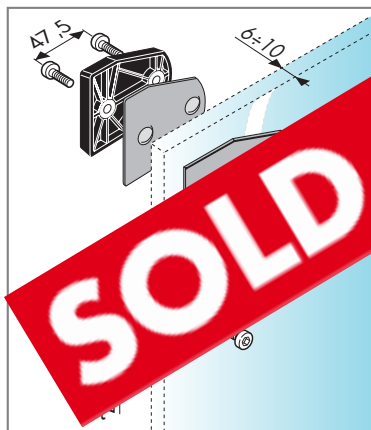
1669

For **inside** fastening on glass doors

Use: used for opening large glass doors with a thickness of up to 10 mm, without external frame (hinge fastening directly on the glass).

Tightening torque 10Nm.

State of supply hinge complete with fastening plate, 3 M6x20 socket head screws for fastening the door to the frame, 2 M6x25 socket head screws for fastening the glass panel between the hinge and the plate, 2 seals to prevent the hinge and the plate from directly touching the glass.



SOLD OUT

QUANTITY DISCOUNT

Q.ty Disc.	1+	2+	4+	8+
	-	-10%	-17%	on request

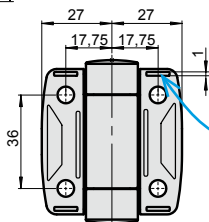
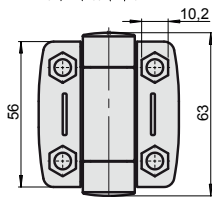
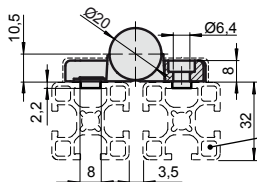
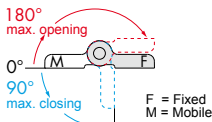
Order code	Pack	Version	Material pin, nuts and bolts	Colour hinge	Weight g	Stock	€ piece
665972	4 pcs	w. screws & nuts	stainless steel AISI303	black RAL9005	220	✓	41,79

4595 → With safety stop with fixed positions for outside fastening

Use: fittable on aluminium section bars, it allows opening doors or windows to a fixed position (with an angle of 85° or 175°) or securely closing them.

Material: hinge and screw caps in polyamide reinforced with glass fibre, pin in stainless steel.

Characteristics: hinge with position stop at an angle of 0° - 85° - 175°. **For small doors/covers it can be used in place of a gas strut.** It does not require a door stop but only a striker plate. Torque necessary for release from the fixed positions (both opening and closing): 2.4 Nm.



centring tabs for profile groove
(easily removable with a cutter for assembly on panels)



QUANTITY DISCOUNT

Qty Discounts	4+	12+	24+	96+	200+
	-	-5%	-10%	-20%	contact us

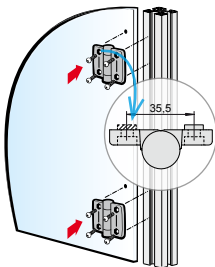
Order code	Pack	Version	Pin/nuts and bolts material	Hinge colour	Weight g	Stock	€ piece
614839	24 pcs	without nuts and bolts	AISI 303 stainless steel	black RAL9005	73	✓	15,23

↓4595 With safety stop

with fixed positions for outside fastening

Assembly instructions

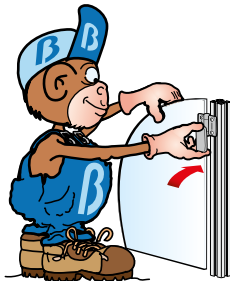
1 Door and frame preparation for hinge assembly: if the hinge is fitted on frameless doors (as illustrated), remove the centring tabs on the door side



2 fasten the hinges using compatible M6 nuts and bolts

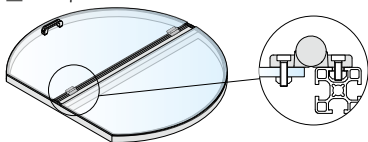


3 fit the screw caps on the hinges

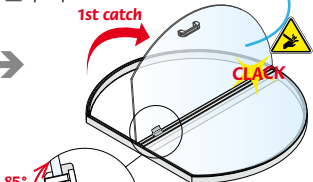


System with safety stop at fixed positions

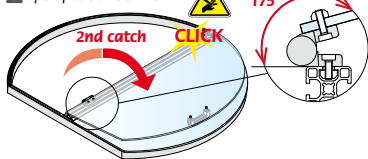
4 closed position at 0°



5 open position at 85°



6 open position at 175°



85°

5b example of frame with double cover

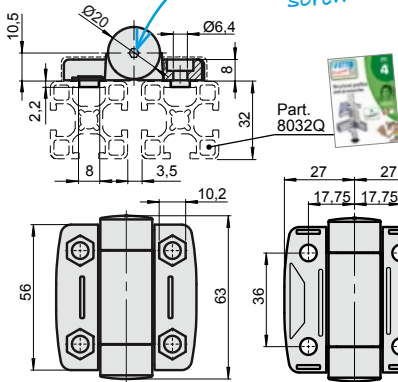
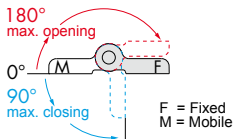


4596 → With adjustable clutch for outside fastening

Use: fittable on aluminium section bars, it allows opening doors or windows to any angle with opening/closing friction adjustment system.

Material: hinge and screw caps in polyamide reinforced with glass fibre, pin in stainless steel.

Characteristics: friction torque adjustable between 0 and 5 Nm.



QUANTITY DISCOUNT

Qty Discounts	4+	12+	24+	96+	200+
	-	-5%	-10%	-20%	contact us

Order code	Pack	Version	Pin/nuts and bolts material	Hinge colour	Weight g	Stock	€ piece
614849	24 pcs	without nuts and bolts	AISI 303 stainless steel	black RAL9005	73	■	15,23

■ **Products not in stock** minimum order 24 pieces, delivery in 20 days (unless stock runs out).

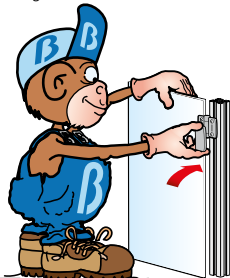
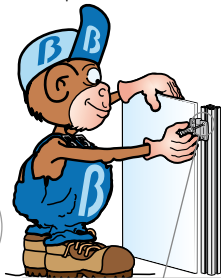
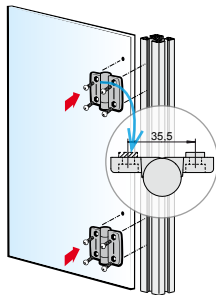
↓4596 With adjustable clutch for outside fastening

Assembly instructions

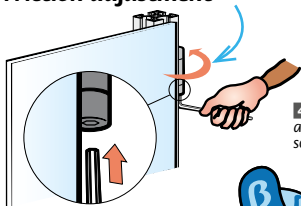
1 Door and frame preparation for hinge assembly: if the hinge is fitted on frameless doors (as illustrated), remove the centring tabs on the door side

2 fasten the hinges using compatible M6 nuts and bolts

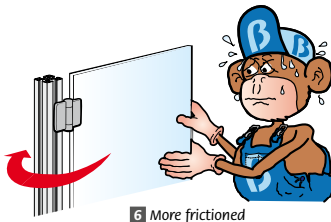
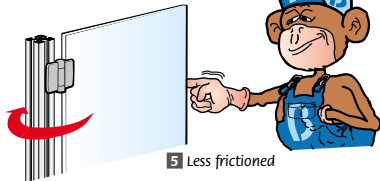
3 fit the screw caps on the hinges



Friction adjustment



4 To adjust the friction, act on the adjustment screw using a 4mm socket wrench.

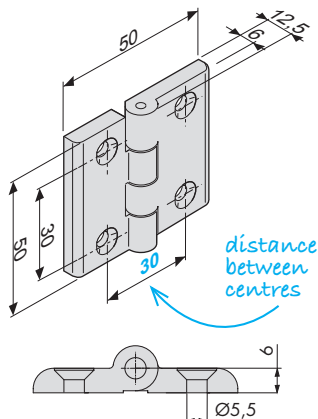
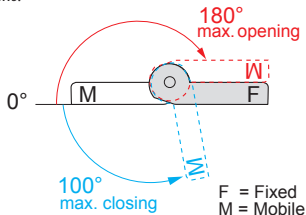


1645 For **outside** fastening

Use: small and very lightweight doors.

Material: aluminium hinge, AISI 303 stainless steel pin.

Characteristics: provision for UNI 5933 M5 countersunk head screws.



Resistenza assiale	Resistenza radiale
680 N	680 N

QUANTITY DISCOUNT

Q.ty Disc.	1+	12+	24+	48+
	-	-10%	-17%	on request

Order code	Pack	Version	Material pin	Finish hinge	Weight g	Stock	€ piece
676302	24 pcs	w/out nuts and bolts	stainless steel AISI303	anodised 15 µm	50	✓	5,31

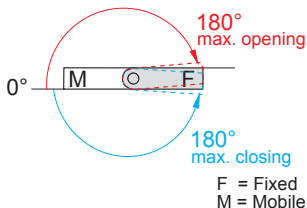
1423

For **outside** fastening on folding doors

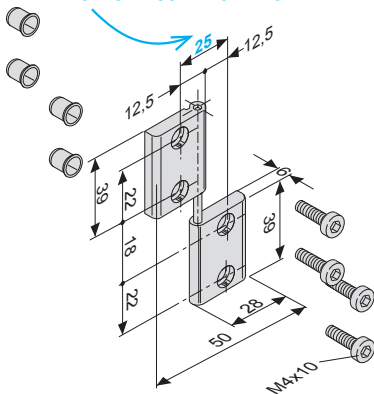
Use: for folding doors.

Material anodised aluminium hinge, stainless steel cylindrical pin, brass anti-friction washer.

State of supply complete with 2 half-hinges, 1 cylindrical pin; 1 spacer washer, 2 flexible pins, 4 M4 threaded inserts, 4 UNI 5931 M4x10 socket head screws.



distance between centres



QUANTITY DISCOUNT

Q.ty	1+	12+	24+	48+
Disc.	-	-17%	-25%	on request

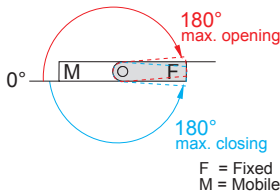
Order code	Pack	Version	Material pin, nuts and bolts	Finish hinge	Weight g	Stock	€ piece
652262	12 pcs	w. nuts and bolts	stainless steel AISI303	anodised 15 µm	43	✓	5,84

1791 For **outside** fastening on folding doors

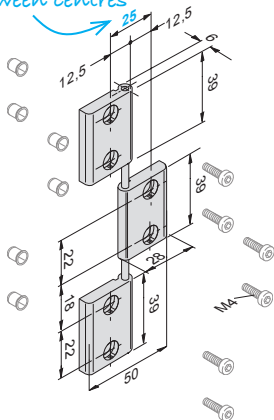
Use: for large folding doors, provision for UNI 5931 M4 screws.

Material anodised aluminium hinge, stainless steel pin, brass anti-friction washer.

State of supply complete with 3 half-hinges, 1 pin; 2 spacer washers, 2 flexible pins.



distance between centres



QUANTITY DISCOUNT

Q.ty	1+	12+	24+	48+
Disc.	-	-17%	-25%	on request

Order code	Pack	Version	Material pin	Finish hinge	Weight g	Stock	€ piece
697732	12 pcs	w/out nuts and bolts	stainless steel AISI303	anodised 15 µm	48	■	8,76

■ Products not in stock minimum order: 24 pieces, delivery in 10 days.

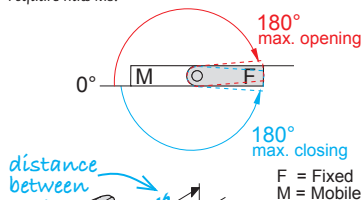
For **outside** fastening

Use: for profiles part. 8045, 8090, 8032.

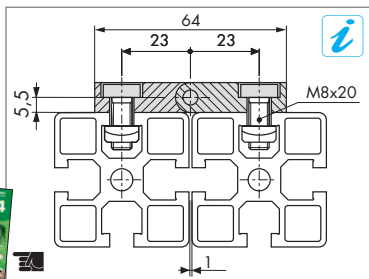
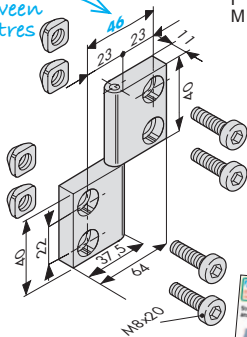
Material aluminium hinge, stainless steel pin, galvanised steel nuts and bolts.

Characteristics: possible right-hand or left-hand hinge mounting or embedded fitting.

State of supply complete with 4 DIN 7984 M8x20 screws and 4 square nuts M8.



distance between centres



QUANTITY DISCOUNT

Q.ty Disc.	1+	12+	24+	48+
	-	-10%	-17%	on request

Order code	Pack	Version	Material pin	Finish nuts and bolts	Finish hinge	Weight g	Stock	€ piece
672467	24 pcs	w/out nuts and bolts	stainless steel AISI303	-	anodised 15 µm	81	■	7,88
61425	24 pcs	w. nuts and bolts	stainless steel AISI303	galvanised	anodised 15 µm	137	✓	10,00
690847	24 pcs	w. nuts and bolts	stainless steel AISI303	galvanised	elox	137	■	11,57

■ **Products not in stock** minimum order: 24 pieces, delivery in 5 days (15 for elox).

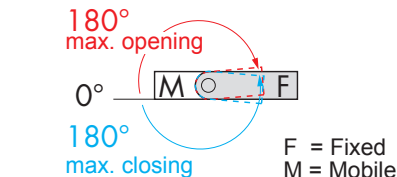
835 For **outside** fastening

Use: for profiles part. 8045, 8090, 8032, 8018.

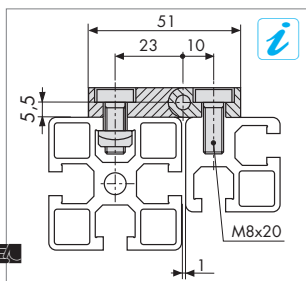
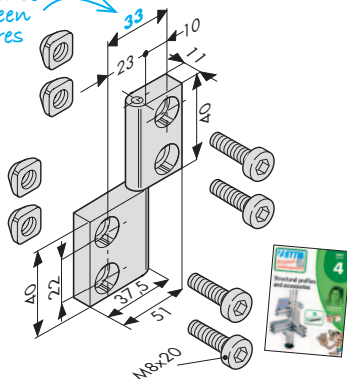
Material: aluminium hinge, stainless steel pin, screws in galvanised steel.

Characteristics: possible right-hand or left-hand hinge mounting or embedded fitting.

State of supply: complete with 4 DIN 7984 M8x20 screws and 4 square nuts M8.



distance between centres



QUANTITY DISCOUNT

Q.ty Disc.	1+	12+	24+	48+
	-	-10%	-17%	on request

Order code	Pack	Version	Material pin	Material nuts and bolts	Finish hinge	Weight g	Stock	€ piece
672477	24 pcs	w/out nuts and bolts	st. steel AISI303	-	anodised 15 µm	65	■	7,64
61295	24 pcs	w. nuts and bolts	st. steel AISI303	galvanised	anodised 15 µm	121	✓	9,76
673965	24 pcs	w. nuts and bolts	st. steel AISI303	galvanised	elox	121	■	11,34

■ Products not in stock minimum order: 24 pieces, delivery in 5 days (15 for elox).

867

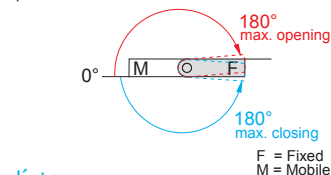
For **outside** fastening

Use: for profiles part. 8032, 8018.

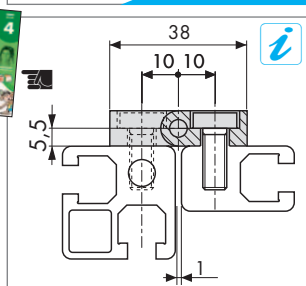
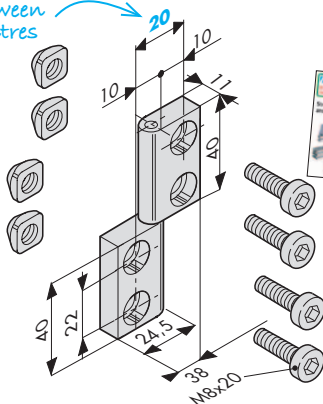
Material aluminium hinge, stainless steel pin, galvanised steel screws.

Characteristics: possible right-hand or left-hand hinge mounting or embedded fitting.

State of supply complete with 4 DIN 7984 M8x20 screws, 4 square nuts M8.



distance between centres



QUANTITY DISCOUNT

Q.ty Disc.	1+	12+	24+	48+
		-10%	-17%	on request

Order code	Pack	Version	Material pin	Material nuts and bolts	Finish hinge	Weight g	Stock	€ piece
672487	24 pcs	w/out nuts and bolts	st. steel AISI303	-	anodised 15 µm	50	■	7,62
61435	24 pcs	w. nuts and bolts	st. steel AISI303	galvanised	anodised 15 µm	108	✓	9,73
673975	24 pcs	w. nuts and bolts	st. steel AISI303	galvanised	elox	108	■	11,31

■ **Products not in stock** minimum order: 24 pieces, delivery in 5 days (15 for elox).

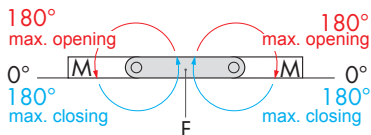
967 → For **outside** fastening

Use: in combination with the hinges, part. 812, 835, 867.

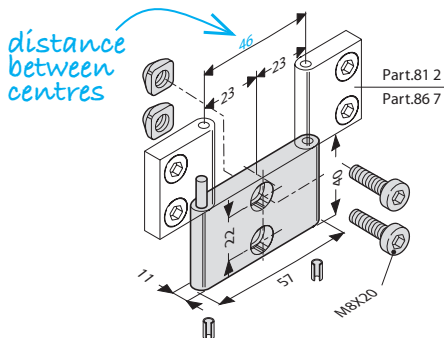
Material: aluminium hinge, AISI403 stainless steel pin, galvanised steel nuts and bolts.

State of supply: complete with 2 flexible pins, 2 DIN 7984 M8x20 socket head screws, 2 square nuts, 1 pin.

Combinations



F = Fixed
M = Mobile



QUANTITY DISCOUNT

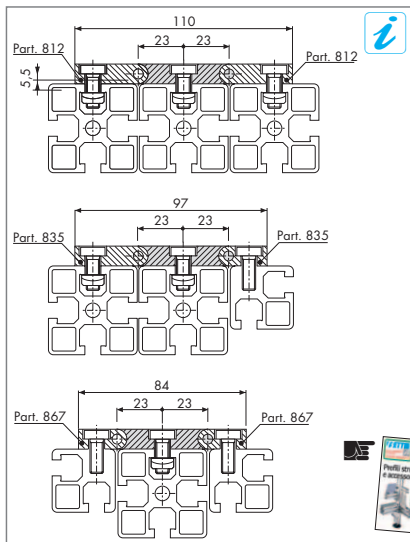
Q.ty Disc.	1+	5+	10+	20+
	-	-10%	-17%	on request

Order code	Pack	Version	Material pin	Material nuts and bolts	Finish hinge	Weight g	Stock	€ piece
672497	10 pcs	w/out nuts and bolts	st. steel AISI303	-	anodised 15 µm	65	■	7,70
622771	10 pcs	w. nuts and bolts	st. steel AISI303	galvanised	anodised 15 µm	94	✓	8,76
662316	10 pcs	w. nuts and bolts	st. steel AISI303	galvanised	elox	94	■	10,34

■ **Products not in stock** minimum order: 10 pieces, delivery in 5 days (15 for elox).

↓ 967

For **outside** fastening

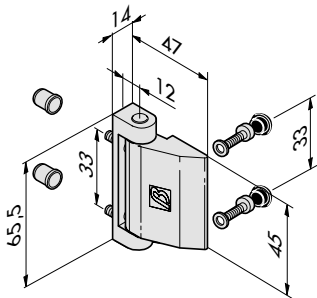
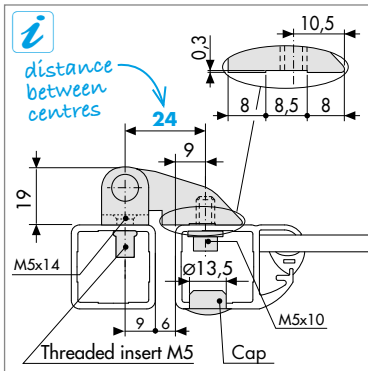
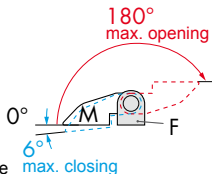


1453 → For **inside** fastening 'U' type mountt

Use: applicable on aluminium tubes.

Material anodised aluminium hinge, galvanised steel pin, polyamide bushings, galvanised steel nuts and bolts.

State of supply complete with 2 UNI 7688 M5x14 screws, 2 UNI 5931 M5x10 socket head screws, 2 bushings, 2 caps, 2 M5 threaded inserts, 2 washers for M5 screws.



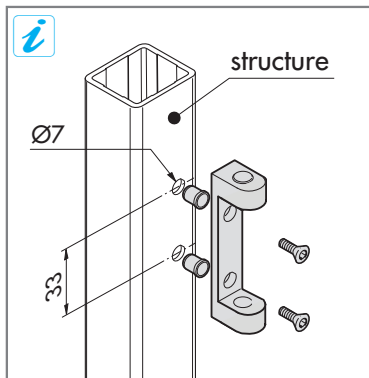
QUANTITY DISCOUNT

Q.ty Disc.	1+	10+	20+	40+
	-	-10%	-17%	on request

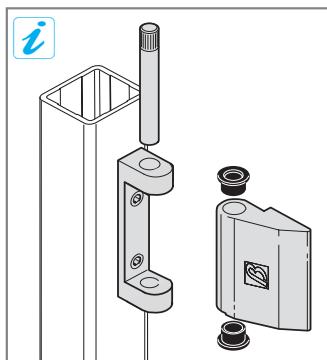
Order code	Pack	Version	Material pin	Material nuts and bolts	Finish hinge	Weight g	Stock	€ piece
625462	20 pcs	w. nuts and bolts	st. steel AISI303	galvanised	anodised	105	✓	8,88
611493	20 pcs	w. nuts and bolts	st. steel AISI303	galvanised	elox	105	✓	8,88

Personalisations versions without visible logo, minimum order 300 pieces, delivery 20 days (unless stock runs out).

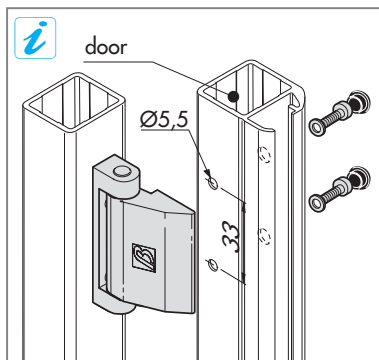
↓ 1453 For **inside** fastening 'U' type mountt



Fit the U-mount on the structure tube using the M5x14 screws.



Fit the two bushings on the half-hinge and assemble it all on the U-mount using the pin.

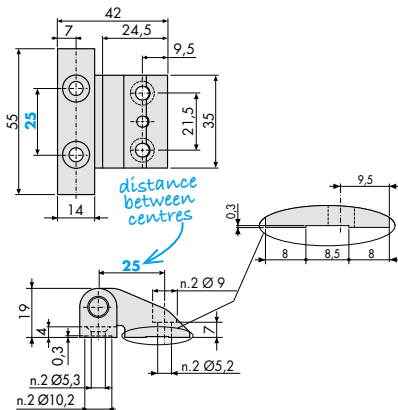
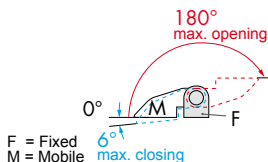


Fasten the complete hinge to the door tube using the M5x10 cheese head screws with cap.

3930 → For outside fastening with complanar U-support

Use: applicable on aluminium tubes when you need to fit the hinge on the front.

Material anodised aluminium hinge, AISI 303 stainless steel pin, polyamide bushings, galvanised steel nuts and bolts.



Code 686748 - 686758



State of supply complete with 2 UNI 7688 M5x14 countersunk head screws, 2 bushings, 4 M5 threaded inserts, 2 M5x16 socket head screws

QUANTITY DISCOUNT

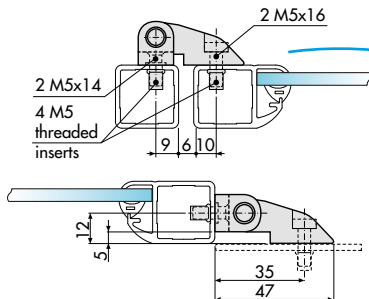
Qty Discounts	1+	10+	20+	40+
	-	-10%	-17%	contact us

Order code	Pack	Version	Pin material	Nuts and bolts finish	Hinge finish	Weight g	Stock	€ piece
687728	20 pcs	without nuts and bolts	AISI 303 stainless steel	galvanised steel	anodised	85	✓	15,49
687738	20 pcs	without nuts and bolts	AISI 303 stainless steel	galvanised steel	elox	85	✓	16,32
686748	20 pcs	with nuts and bolts	AISI 303 stainless steel	galvanised steel	anodised	105	✓	17,03
686758	20 pcs	with nuts and bolts	AISI 303 stainless steel	galvanised steel	elox	105	✓	18,57

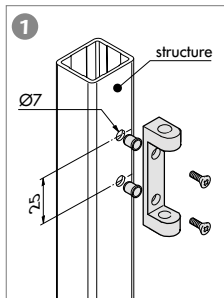
***Products not in stock** versions without visible logo, minimum order 300 pieces, delivery 20 days (unless stock runs out).

3930 For **outside** fastening with complanar U-support

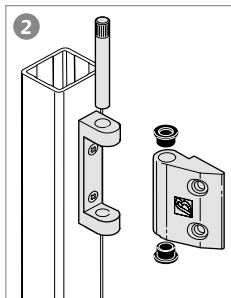
Assembly examples



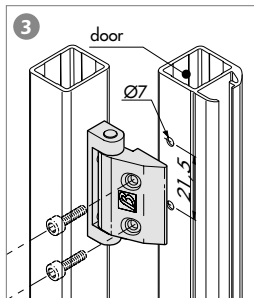
Assembly instructions



Fit the U-shaped support on the tube of the structure using the M5x14 screws.



Fit the two bushings on the half-hinge and assemble everything on the U-shaped support using the pin.



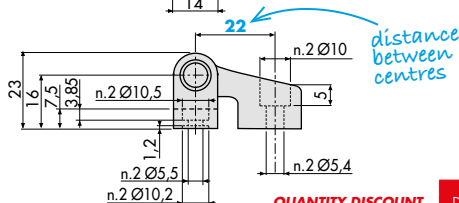
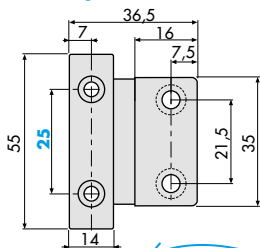
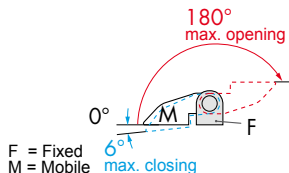
Fasten the complete hinge on the tube of the door using the M5x16 screws.

4576 → For **outside** fastening with **complanar U-support**

Use: applicable on aluminium tubes when you need to fit the hinge on the front.

Material anodised aluminium hinge, AISI 303 stainless steel pin, polyamide bushings.

State of supply hinge complete with 2 bushings.



QUANTITY DISCOUNT

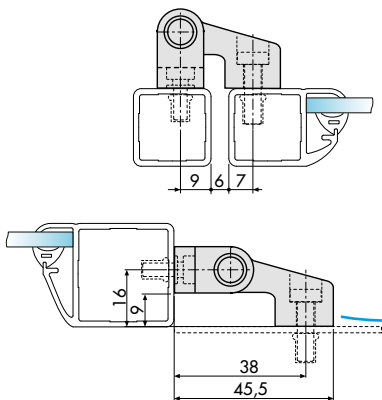
Qty Discounts	1+	10+	20+	40+
	-	-10%	-17%	contact us

Order code	Pack	Version	Pin material	Nuts and bolts finish	Hinge finish	Weight g	Stock	€ piece
607919	20 pcs	without nuts and bolts	AISI 303 stainless steel	galvanised steel	anodised	85	✓	15,49
607929	20 pcs	without nuts and bolts	AISI 303 stainless steel	galvanised steel	elox	85	■	16,32
610919	20 pcs	without nuts and bolts and without visible logo	AISI 303 stainless steel	galvanised steel	anodised	85	■	15,49
607909	20 pcs	without nuts and bolts and without visible logo	AISI 303 stainless steel	galvanised steel	elox	85	■	16,32

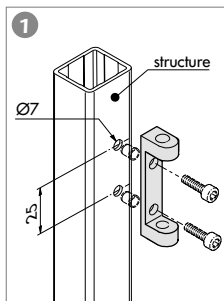
■ Products not in stock minimum order 300 pieces, delivery in 20 days (unless stock runs out).

↓ 4576 For **outside** fastening with complanar U-support

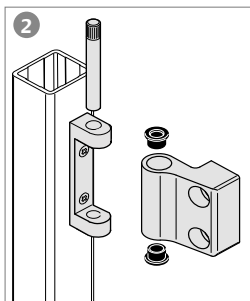
Assembly examples



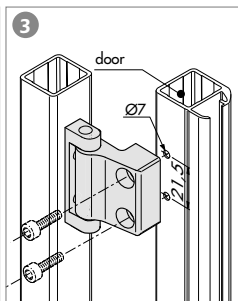
Assembly instructions



Fit the U-shaped support on the tube of the structure using the M5x14 screws.



Fit the two bushings on the half-hinge and assemble everything on the U-shaped support using the pin.



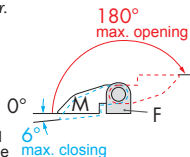
Fasten the complete hinge on the tube of the door using the M5x16 screws.

3344 For **inside** fastening

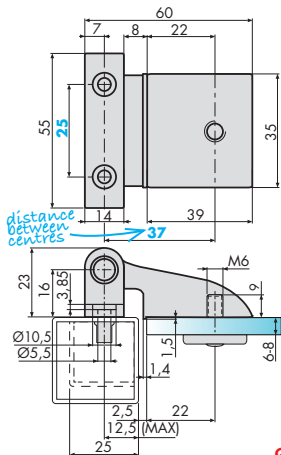
Use: self-supporting **doors** (without external frame) **6-8 mm thick glass** or **6-8 mm thick panels**.

Material: anodised aluminium hinge, galvanised steel pin, polyamide bushings.

State of supply: complete with pin, 2 bushings, 2 M5x16 socket head screws, 1 M6x16 hexagon socket recessed pan head screw, 2 M5 threaded inserts, 1 M6 washer and 1 under screw head washer.



F = Fixed
M = Mobile



Cod.607927-607937



with nuts and bolts

State of supply: complete with pin, 2 bushings, 2 M5x16 socket head screws, 1 M6x16 hexagon socket recessed pan head screw, 2 M5 threaded inserts, 1 M6 washer and 1 under screw head washer.

QUANTITY DISCOUNT

Q.ty Disc.	1+	10+	20+	40+
	-	-10%	-17%	on request

Order code	Pack	Version	Material pin	Material nuts and bolts	Finish hinge	Weight g	Stock	€ piece
607857	20 pcs	w/out screws	galvanised	-	anodised	98	■	15,30
607867	20 pcs	w/out screws	galvanised	-	elox	98	■	16,08
607927	20 pcs	w. screws	galvanised	galvanised	anodised	115	■	16,56
607937	20 pcs	w. screws	galvanised	galvanised	elox	115	■	17,35

■ **Products not in stock** 40 pieces, delivery in 15 days.

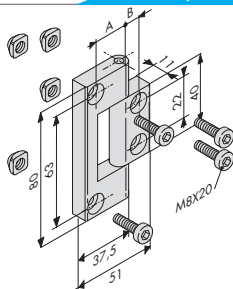
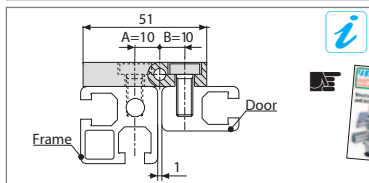
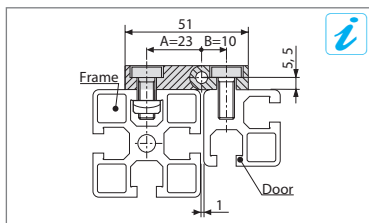
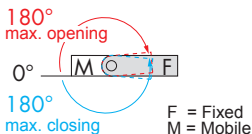
1437

For outside reinforced fastening

Use: for frame and sectional door, part. 8045.

Material aluminium hinge, AISI403 stainless steel pin, galvanised steel nuts and bolts.

State of supply complete with 4 DIN 7984 M8x20 socket head screws and 4 square nuts M8.



QUANTITY DISCOUNT

Q.ty	1+	12+	24+	48+
Disc.	-	-10%	-17%	on request

Order code	Pack	A mm	B mm	Version	Material pin	Material nuts and bolts	Finish hinge	Weight g	Stock	€ piece
672507	24 pcs	23	10	w/out nuts and bolts	st. steel AISI303	-	anodised 15 µm	80	■	11,57
624602	24 pcs	23	10	w. nuts and bolts	st. steel AISI303	galvanised	anodised 15 µm	135	✓	13,70
673985	24 pcs	23	10	w. nuts and bolts	st. steel AISI303	galvanised	elox	135	■	17,35
672517	24 pcs	10	10	w/out nuts and bolts	st. steel AISI303	-	anodised 15 µm	80	■	11,57
624612	24 pcs	10	10	w. nuts and bolts	st. steel AISI303	galvanised	anodised 15 µm	135	✓	13,70
673995	24 pcs	10	10	w. nuts and bolts	st. steel AISI303	galvanised	elox	135	■	17,35

■ Products not in stock minimum order: 24 pieces, delivery in 5 days (15 for elox).

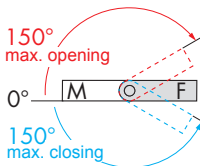
1492

For **outside reinforced** fastening

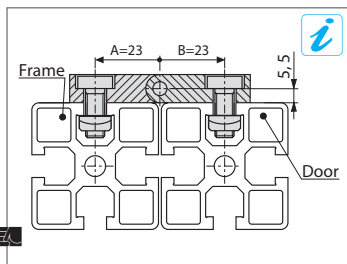
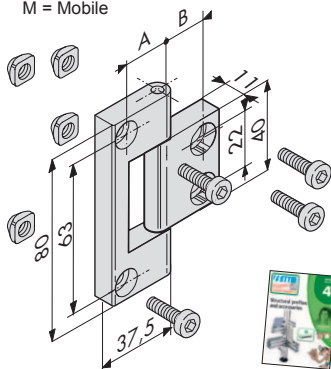
Use: for frame and sectional door, part. 8045.

Material aluminium hinge, stainless steel pin, screws in galvanized steel.

State of supply complete with 4 DIN 7984 M8x20 socket head screws and 4 square nuts M8.



F = Fixed
M = Mobile



QUANTITY DISCOUNT

Q.ty Disc.	1+	12+	24+	48+
	-	-10%	-17%	on request

Order code	Pack	A mm	B mm	Version	Material pin	Material -nuts and bolts	Finish hinge	Weight g	Stock	€ piece
672537	24 pcs	23	23	w/out nuts and bolts	st. steel AISI303	-	anodised 15 µm	97	■	11,83
631932	24 pcs	23	23	w. nuts and bolts	st. steel AISI303	galvanised	anodised 15 µm	154	✓	13,95
609497	24 pcs	23	23	w. nuts and bolts	st. steel AISI303	galvanised	elox	154	■	18,13

■ **Products not in stock** minimum order: 24 pieces, delivery in 5 days (15 for Elox).

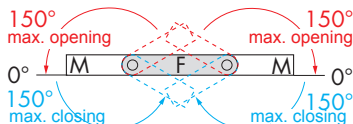
1552

For outside reinforced fastening

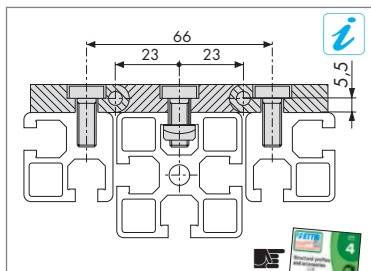
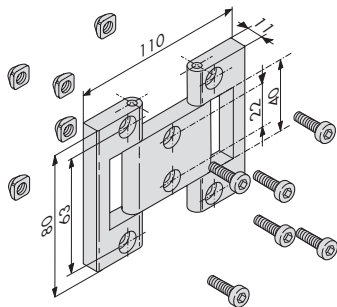
Use: suitable for large-sized doors, for doors subject to major stresses, mounted on the same column and opening in the opposite direction.

Material Aluminium hinge, stainless steel pins, screws in galvanized steel.

State of supply Material supplied complete with 6 socket head screws M8x20 DIN 7984, 6 square nuts M8, 2 pins and 4 bushings.



F = Fixed
M = Mobile



QUANTITY DISCOUNT

Q.ty	1+	12+	24+	48+
Disc.	-	-10%	-17%	on request

Order code	Pack	Version	Material pin	Material nuts and bolts	Finish hinge	Weight g	Stock	€ piece
672527	12 pcs	w/out nuts and bolts	st. steel AISI303	-	anodised 15 µm	174	■	24,21
652022	12 pcs	w. nuts and bolts	st. steel AISI303	galvanised	anodised 15 µm	261	✓	27,39

•Products not in stock 12 pieces, delivery in 5 days

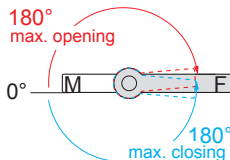
2126 → For **outside** fastening, **low-cost**

Use: for profiles Part 8032, 8018.

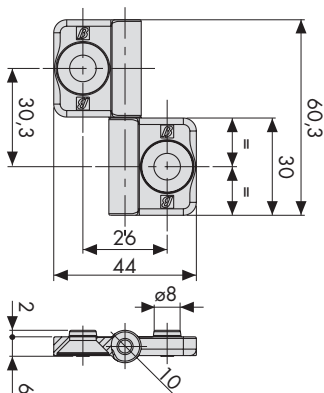
Material: aluminium hinge, stainless steel pin, galvanised steel nuts and bolts.

Characteristics: possibility of fitting the hinges in right, left and embedded version with only 2 fastening screws.

State of supply: complete with 2 UNI 5933 M8x20 hexagon socket countersunk head screws, 2 M8 square nuts, 1 anti-friction washer.



F = Fixed
M = Mobile



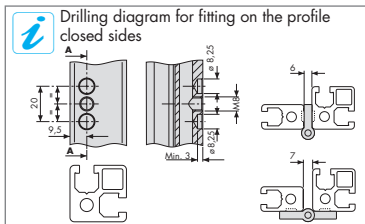
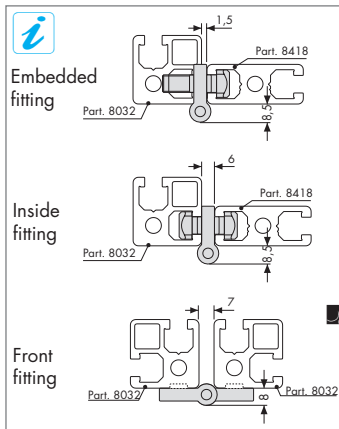
QUANTITY DISCOUNT

Q.ty	1+	12+	24+	48+
Disc.	-	-10%	-17%	on request

Order code	Pack	Version	Material pin	Material nuts and bolts	Finish hinge	Weight g	Stock	€ piece
672547	24 pcs	w/out nuts and bolts	st. steel AISI303	-	shot peening	31	■	5,10
690143	24 pcs	w. nuts and bolts	st. steel AISI303	galvanised	shot peening	56	✓	6,34

•Products not in stock minimum order: 24 pieces, delivery in 5 days.

↓ 2126 For **outside** fastening, **low-cost**



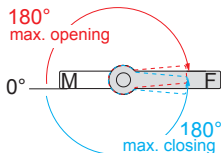
2148 → For **outside fastening, low-cost**

Use: for profiles part. 8045, 8090, 8032, 8018.

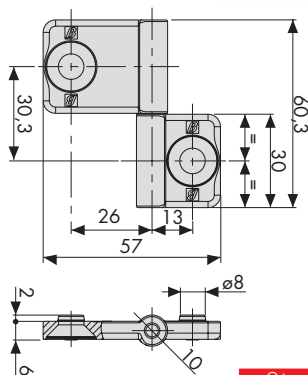
Material aluminium hinge, stainless steel pin, galvanised steel nuts and bolts.

Characteristics: possibility of fitting the hinges in right, left and embedded version with only 2 fastening screws.

State of supply complete with 2 UNI 5933 M8x20 hexagon socket countersunk head screws, 2 M8 square nuts, 1 anti-friction washer.



F = Fixed
M = Mobile



QUANTITY DISCOUNT

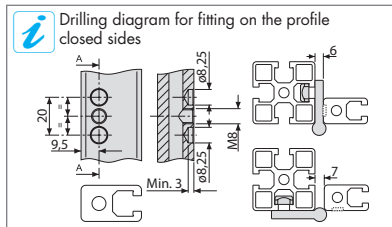
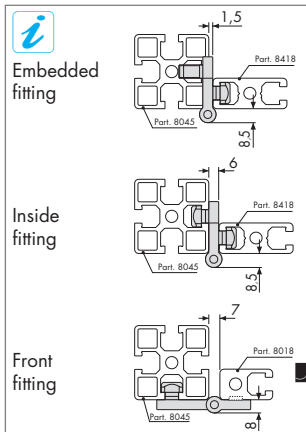
Q.ty Disc.	1+	12+	24+	48+
	-	-10%	-17%	48+ on request

Order code	Pack	Version	Material pin	Material nuts and bolts	Finish hinge	Weight g	Stock	€ piece
672557	24 pcs	w/out nuts and bolts	st. steel AISI303	-	shot peening	37	■	5,10
698043	24 pcs	w. nuts and bolts	st. steel AISI303	galvanised	shot peening	62	✓	6,34

•Products not in stock minimum order: 24 pieces, delivery in 5 days.

↓ 2148

For **outside** fastening, **low-cost**



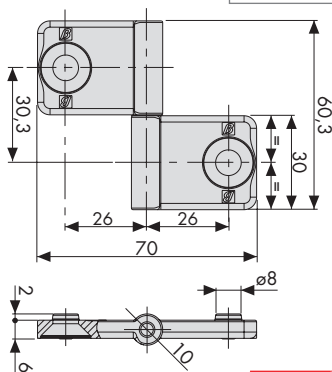
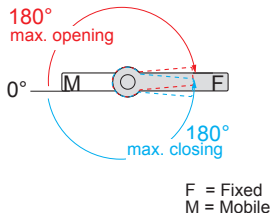
2127 → For **outside fastening, low-cost**

Use: for profiles part. 8045, 8090, 8032.

Material: aluminium hinge, stainless steel pin, galvanised steel nuts and bolts.

Characteristics: possibility of fitting the hinges in right, left and embedded version with only 2 fastening screws.

State of supply: complete with 2 UNI 5933 M8x20 hexagon socket countersunk head screws, 2 M8 square nuts, 1 anti-friction washer.



QUANTITY DISCOUNT

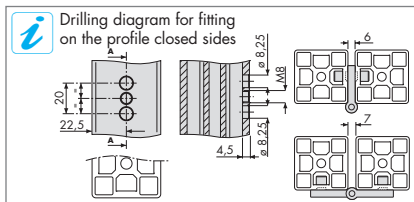
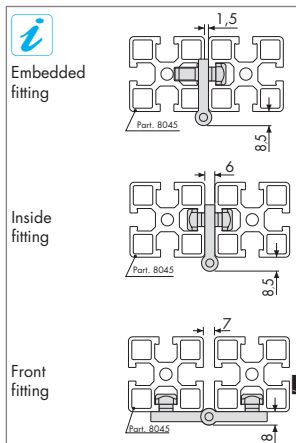
Q.ty Disc.	1+	12+	24+	48+
	-	-10%	-17%	48+ on request

Order code	Pack	Version	Material pin	Material nuts and bolts	Finish hinge	Weight g	Stock	€ piece
672567	24 pcs	w/out nuts and bolts	st. steel AISI303	-	shot peening	42,5	■	5,10
690153	24 pcs	w. nuts and bolts	st. steel AISI303	galvanised	shot peening	68	✓	6,34

•Products not in stock minimum order: 24 pieces, delivery in 5 days.

↓ 2127

For **outside** fastening, **low-cost**



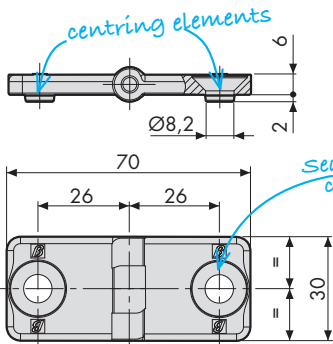
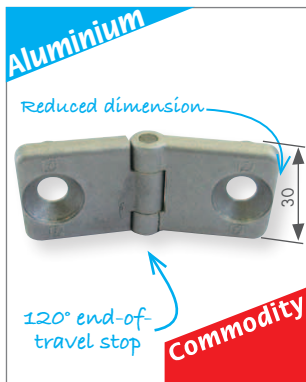
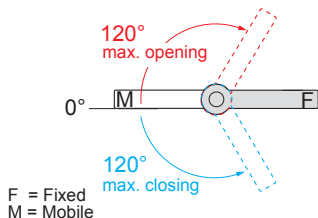
4128 → For external fastening reduced dimension long-long base

Use: for restricting hinge opening and closing, suitable for section bars, part. 8045, 8090, 8032, 8018.

Material: aluminium hinge, stainless steel pin.

Characteristics: possibility of fitting the hinges in right, left and embedded version with only 2 fastening screws.

State of supply: complete with 2 UNI 5933 M8x20 hexagon socket countersunk head screws, 2 M8 square nuts, 1 anti-friction washer.



QUANTITY DISCOUNT

Q.ty	1+	12+	24+	48+
Disc.	-	-10%	-17%	on request

Order code	Pack	Version	Centering frame	Centering door	Finish hinge	Weight g	Stock	€ piece
666248	24 pcs	w/out nuts and bolts	no	no	shot peening	30	■	12,33
666208	24 pcs	w/out nuts and bolts	yes	yes	shot peening	32	✓	9,86
666228	24 pcs	w/out nuts and bolts	yes	no	shot peening	31	■	11,54

■ Products not in stock minimum order: 24 pieces, delivery in 10 days.

↓ 4128 For external fastening reduced dimension long-long base

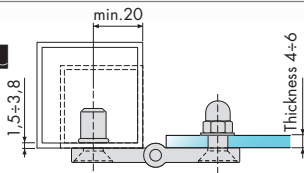


Code 666248



without centring elements

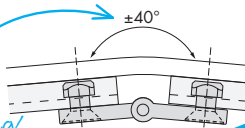
Use: for tubular frame and panel door.



Tube - Panel



Maximum opening/closing angle



Guide-guide

Use: for containment guides.

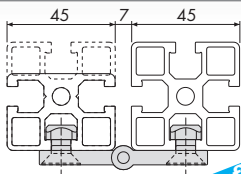


Code 666208



4 centring elements

Use: for profile frame and door.



Profile - Profile

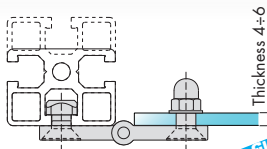


Code 666228



2 centring elements

Use: for profile frame and panel door.

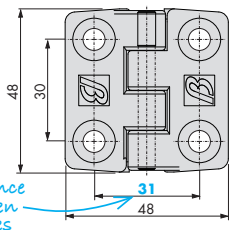
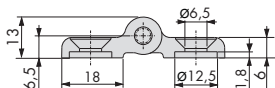
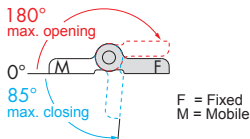


Profile - Panel

1877 For **outside** fastening

Use: Suitable for very heavy doors (glass buffer) or when electrical conductivity between the door and the frame is required.

Material: AISI316 stainless steel hinge, brass pin, stainless steel screws.



Cod. 641874



w/out nuts & bolts



Cod. 641884



with screws and rivets

Cod. 617583



with screws

QUANTITY DISCOUNT

Q.ty	1+	5+	10+	20+
Discounts	-	-10%	-17%	on request

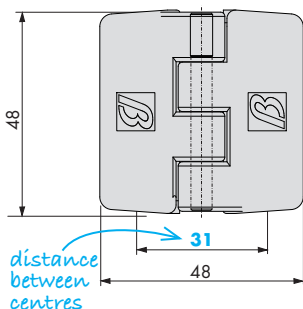
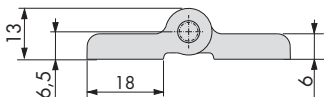
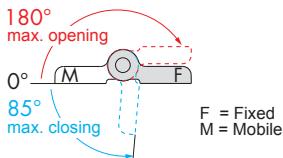
Order code	Pack	Version	Material pin, nuts and bolts	Finish hinge	Weight g	Stock	€ piece
641874	10 pcs	w/out nuts and bolts	stainless steel	microball-blasting	97	✓	13,03
617583	10 pcs	w. nuts and bolts	stainless steel	microball-blasting	116	✓	13,48
641884	10 pcs	w. screws and rivets	stainless steel	microball-blasting	130	✓	15,03

2442

Weldable

Use: Suitable for very heavy doors (glass buffer) or when electrical conductivity between the door and the frame is required.

Material: AISI316 stainless steel hinge, brass pin.



QUANTITY DISCOUNT

Q.ty Discounts	1+	5+	10+	20+
	-	-10%	-17%	on request

Order code	Pack	Version	Material pin	Finish hinge	Weight g	Stock	€ piece
673164	10 pcs	w/out nuts and bolts	AISI 303 stainless steel	microball-blasting	134	✓	12,79

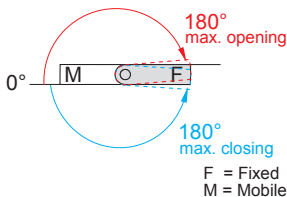
1152 → Embedded

Use: for applications that require maximum rigidity and for heavy doors. For outside or embedded fitting.

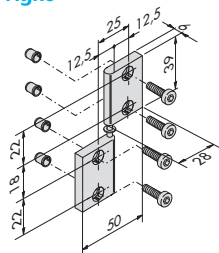
Material hinge, pin, screws and threaded inserts in AISI 304 stainless steel, brass anti-friction washer.

State of supply complete with 1 pin; 4 M4x10 socket head screws and 4 threaded inserts, 1 anti-friction washer.

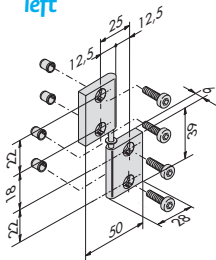
Warning: If fitting one RH hinge (code 641161) and one LH hinge (code 641151) as a pair, the door will not slip out (safety fitting); If fitting two RH hinges or two LH hinges as a pair, the door will slip out.



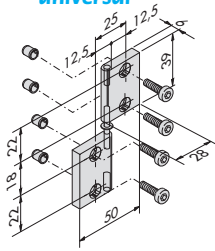
Cod. 641161
right



Cod. 641151
left



Cod. 68879
universal



QUANTITY DISCOUNT

Q.ty Discounts	1+	6+	12+	24+	48+
	-	-10%	-17%	-25%	on request

Order code	Pack	Version	Material nuts and bolts	Opening direction	Finish hinge	Weight g	Stock	€ piece
641161	12 pcs	w. nuts and bolts	stainless steel	right	microball-blasting	98	✓	20,16
641151	12 pcs	w. nuts and bolts	stainless steel	left	microball-blasting	98	✓	20,16
68879	12 pcs	w. nuts and bolts	stainless steel	one-sided	microball-blasting	98	■	23,01

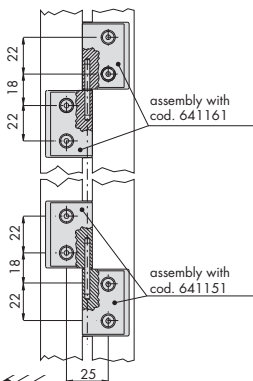
■ Products not in stock minimum order: 48 pieces, delivery in 15 days.

↓ 1152

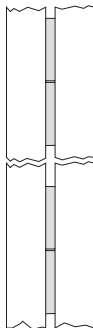
Embedded



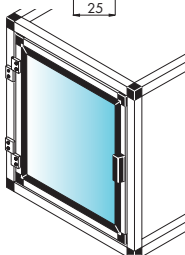
Door diagram with outside hinge (visible)



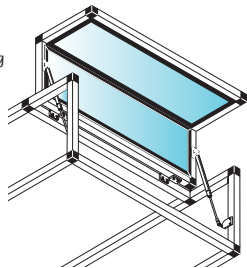
Door diagram with inside hinge (embedded)



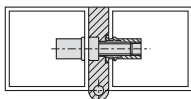
Visible hinge fitting



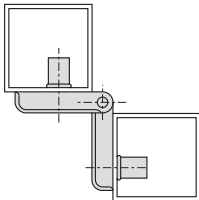
Embedded hinge fitting



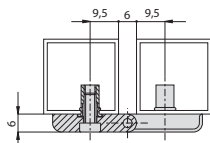
Hinge with embedded fitting with door closed



Hinge fitted on the outside - door open



Hinge fitted on the outside - door closed

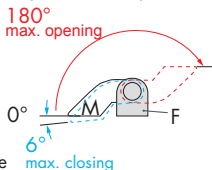


1472 → For **inside** fastening 'U' mount

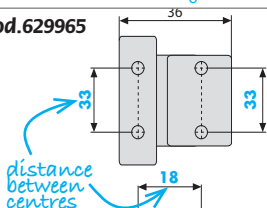
Use: applicable on stainless steel tubes. The weldable version (Code 628882) allow very rigid and robust doors to be mounted. The hinges stay in position over time; they are particularly suitable for heavy doors. They can also be used for fastening fixed panels (removable only for extraordinary maintenance), so as to match with the aesthetic design of the other hinges: for this reason, the panels are removed by extracting the pin using a pin driver. This fitting ensures the guards are constructed in compliance with applicable safety regulations.

Material: AISI 316 stainless steel half-hinges, AISI 303 stainless steel pin, 2 polyamide bushings.

State of supply: complete with 2 anti-friction bushings.

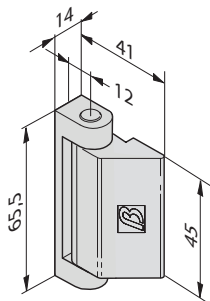


Cod.629965



provision for countersunk head screw M5
UNI 5933

screwable



QUANTITY DISCOUNT

Q. ty	1+	12+	24+	48+
Discounts	-	-17%	-25%	on request

Order code	Pack	Version	Material pin	Material bushings	Finish hinge	Weight g	Stock	€ piece
629965	12 pcs	w/out nuts and bolts	stainless steel	polyamide	microball-blasting	160	■	52,14
628882	12 pcs	w/out nuts and bolts	stainless steel	polyamide	microball-blasting	170	✓	34,59

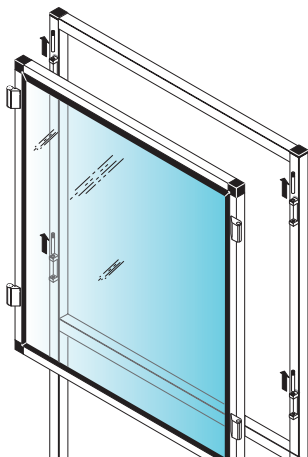
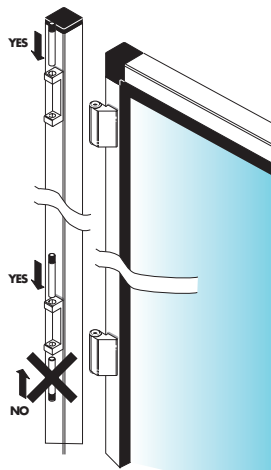
■ Products not in stock minimum order: 12 pieces, delivery in 10 days.



1472

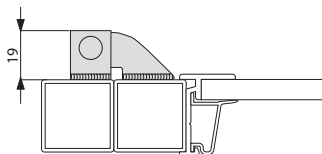
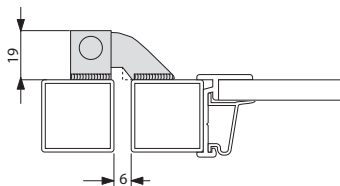
For **inside** fastening

'U' mount



It is advisable to fit the pins with the knurled side at the top, to prevent them from slipping out due to vibrations.

To remove a fixed panel, just remove the four pins.



If you want to maintain a standard clearance of 6mm between the frame and the door, it is advisable - for aesthetic reasons - to remove the corner of the hinge. For assemblies that do not require any clearance, no machining operation is necessary.

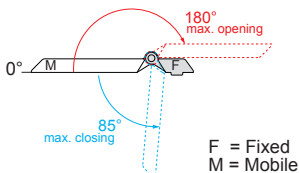
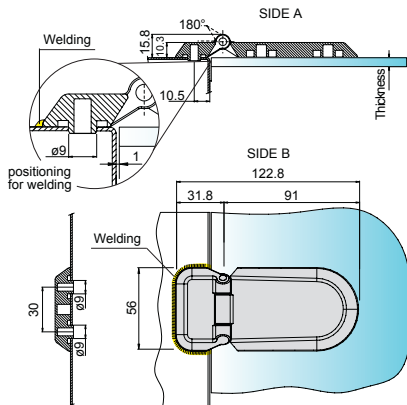
2636 Weldable to the framework and glueable to the door

Use: for self-supporting **doors** (without external frame) made of glass or Plexiglas panels with a thickness of **4-8 mm**.

Material: AISI316 stainless steel hinge and screws, AISI303 stainless steel pin, brass anti-friction washers.

State of supply: hinge complete with 2 M6x16 socket head screws in AISI316 steel.

Gluing: it is advisable to use black synthetic polymer-based glue (Flextec technology), applicable on glass and polycarbonate.



QUANTITY DISCOUNT

Q.ty Discounts	1+	4+	8+	16+
	-	-10%	-17%	on request

Order code	Pack	Version	Application	Thickness mm	Finish Side A	Finish Side B	Weight g	Stock	€ piece
690334	4 pcs	w. nuts and bolts	panel and glass	4-8	electropolishing	-	360	▪	60,10

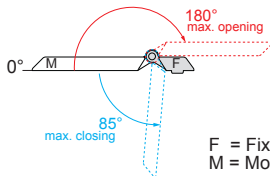
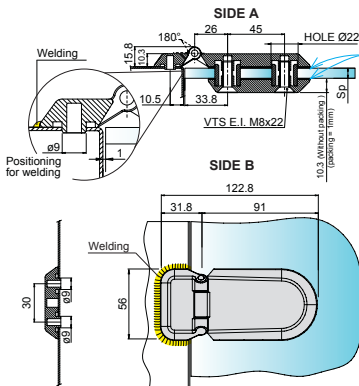
•Products not in stock minimum order: 4 pieces, delivery in 15 days.

2532 A Weldable with plate locking

Use: for self-supporting **doors** (without external frame, fastening directly on the glass/panel) made of glass with a thickness of **6-8 mm** or 8-10 mm thick Plexiglas panels.

Material AISI316 stainless steel hinge and plate, AISI303 stainless steel pin, AISI304 and AISI316 stainless steel screws, AISI303 stainless steel anti-friction washers, black polyethylene bushings and PVC seals (if provided).

State of supply hinge complete with 2 M8x22 hexagon socket countersunk head screws in AISI304 stainless steel and 2 Screws TCEI M6x16 connection rod Stainless steel AISI316. ONLY for the glass version: 2 bushings and 2 seals, 1 mm thick.



F = Fixed
M = Mobile

QUANTITY DISCOUNT

Q.ty Discounts	1+	4+	8+	16+
	-	-10%	-17%	on request

Order code	Pack	Version	Application	Th mm	Finish Side A	Finish Side B	Weight g	Stock	€ piece
626645	4 pcs	screws	panel	8-10	microball-blasting	microball-blasting	650	■	93,22
626655	4 pcs	screws, bushings and seals	glass	6-8	microball-blasting	microball-blasting	650	■	96,60

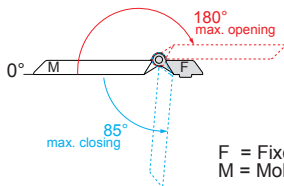
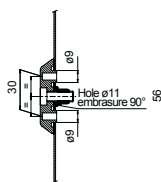
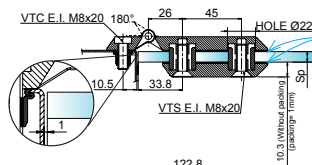
•Products not in stock minimum order: 4 pieces, delivery in 10 days.

2532 **G** Screwable with plate locking

Use: for self-supporting **doors** (without external frame) made of glass with a thickness of **4-6 mm** or Plexiglas panels with a thickness of **6-8 mm**.

Material: AISI316 stainless steel hinge and plate, AISI303 stainless steel pin, AISI304 stainless steel screws, AISI303 stainless steel anti-friction washers, black polyethylene bushings and PVC seals (if provided).

State of supply: hinge complete with 2 M8x25 hexagon socket countersunk head screws and 1 M8x20 socket head screw in AISI304 stainless steel. Only for the glass version: n. 2 bushings 2 seals, 1 mm thick.



F = Fixed
M = Mobile

QUANTITY DISCOUNT

Q.ty	1+	4+	8+	16+
Discounts	-	-10%	-17%	on request

Order code	Pack	Version	Application	Th mm	Finish Side A	Finish Side B	Weight g	Stock	€ piece
626495	4 pcs	screws	panel	6-8	microball-blasting	microball-blasting	650	■	94,25
690314	4 pcs	screws, bushings and seals	glass	4-6	microball-blasting	microball-blasting	650	■	97,62

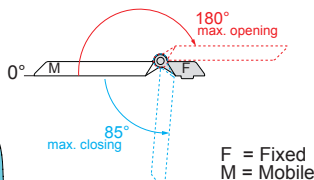
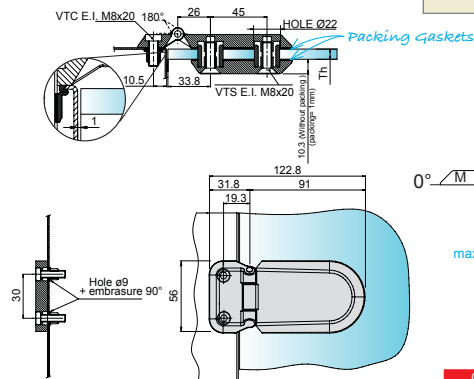
•Products not in stock minimum order: 4 pieces, delivery in 10 days.

2532 Screwable with plate locking

Use: for self-supporting **doors** (without external frame) made of glass with a thickness of **4-6 mm** or Plexiglas panels with a thickness of **6-8 mm**.

Material: AISI316 stainless steel hinge and plate, AISI303 stainless steel pin, AISI304 stainless steel screws, AISI303 stainless steel anti-friction washers, black polyethylene bushings and PVC seals (if provided).

State of supply: hinge complete with 2 M8x20 hexagon socket countersunk head screws and 2 M8x20 socket head screws in AISI304 stainless steel. Only for the glass version: 2 bushings and 2 seals, 1 mm thick.



QUANTITY DISCOUNT

Q.ty Discounts	1+	4+	8+	16+
	-	-10%	-17%	on request

Order code	Pack	Version	Application	Th mm	Finish Side A	Finish Side B	Weight g	Stock	€ piece
653805	4 pcs	screws	panel	6-8	microball-blasting	microball-blasting	650	■	95,28
629925	4 pcs	screws, bushings and seals	glass	4-6	microball-blasting	microball-blasting	650	■	98,65

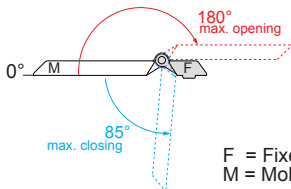
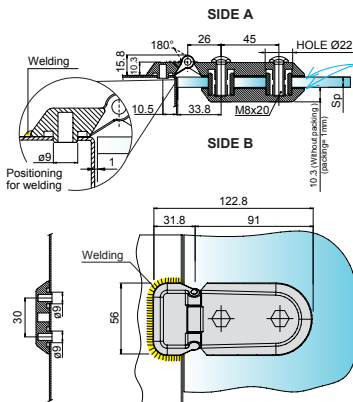
•Products not in stock minimum order: 4 pieces, delivery in 10 days.

2532 **F** Weldable with plate locking

Use: for self-supporting **doors** (without external frame) made of glass with a thickness of **4-6 mm** or Plexiglas panels with a thickness of **6-8 mm**.

Material: AISI316 stainless steel hinge and plate, AISI303 stainless steel pin, AISI304 and AISI316 stainless steel screws, AISI303 stainless steel anti-friction washers, black polyethylene bushings and PVC seals (if provided).

State of supply: hinge complete with 2 M8x20 special-head screws in AISI304 stainless steel and 2 M6x16 socket head screws in AISI316 stainless steel. Only for the glass version: n. 2 bushings 2 seals, 1 mm thick.



F = Fixed
M = Mobile

QUANTITY DISCOUNT

Q.ty Discounts	1+	4+	8+	16+
	-	-10%	-17%	on request

Order code	Pack	Version	Application	Th mm	Finish Side A	Finish Side B	Weight g	Stock	€ piece
690344	4 pcs	screws	panel	6-8	microball-blasting	microball-blasting	650	■	106,30
626695	4 pcs	screws, bushings and seals	glass	4-6	microball-blasting	microball-blasting	650	■	109,68

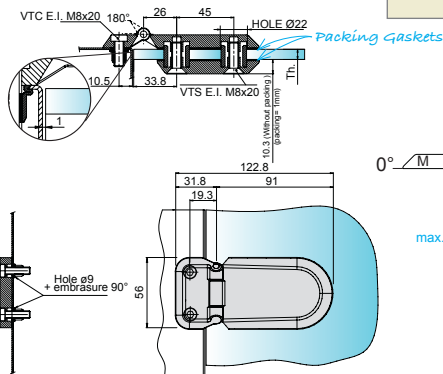
•Products not in stock minimum order: 4 pieces, delivery in 15 days.

2532 M Screwable with plate locking

Use: for self-supporting **doors** (without external frame) made of glass with a thickness of **4-6 mm** or Plexiglas panels with a thickness of **6-8 mm**.

Material AISI316 stainless steel hinge and plate, AISI303 stainless steel pin, AISI304 stainless steel screws, AISI303 stainless steel anti-friction washers, black polyethylene bushings and PVC seals (if provided).

State of supply hinge complete with 2 M8x20 hexagon socket countersunk head screws and 2 M8x20 socket head screws in AISI304 stainless steel. Only for the glass version: 2 bushings and 2 seals, 1 mm thick.



F = Fixed
M = Mobile

QUANTITY DISCOUNT

Q.ty Discounts	1+	4+	8+	16+
	-	-10%	-17%	on request

Order code	Pack	Version	Application	Th mm	Finish Side A	Finish Side B	Weight g	Stock	€ piece
653815	4 pcs	screws	panel	6-8	mirror polishing	mirror polishing	650	■	108,35
629935	4 pcs	screws, bushings and seals	glass	4-6	mirror polishing	mirror polishing	650	■	111,73

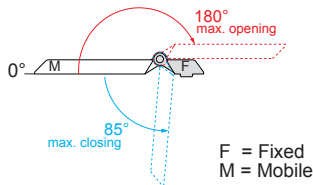
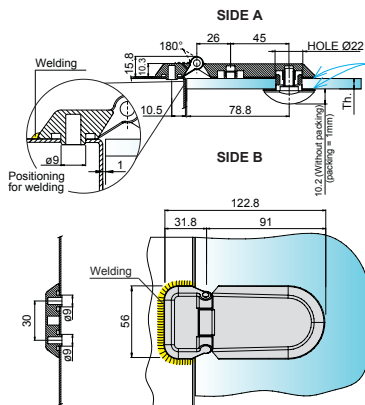
•Products not in stock minimum order: 4 pieces, delivery in 15 days.

2532 B Weldable with button locking

Use: for self-supporting **doors** (without external frame, fastening directly on the glass/panel) made of **4-8 mm** thick glass or **6-10 mm** thick Plexiglas panels. Easily sanitizable on the inside.

Material: AISI316 stainless steel hinge, AISI304 stainless steel threaded button, AISI303 stainless steel pin, AISI316 stainless steel screws, AISI303 stainless steel anti-friction washers, black polyethylene bushings and PVC seals (if provided).

State of supply: hinge complete with 1 threaded button and 2 Screws TCEI M6x16 connection rod Stainless steel AISI316. ONLY for the glass version: 1 bushing and 2 seals, 1 mm thick.



QUANTITY DISCOUNT

Q.ty Discounts	1+	4+	8+	16+
	-	-10%	-17%	on request

Order code	Pack	Version	Application	Th mm	Finish Side A	Finish Side B	Weight g	Stack	€ piece
626925	4 pcs	screws	panel	6-10	microball-blasting	mirror polishing	440	▪	106,30
690324	4 pcs	screws, bushings and seals	glass	4-8	microball-blasting	mirror polishing	440	▪	109,68

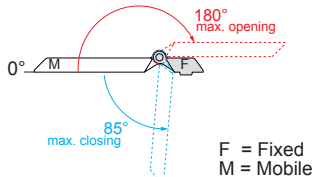
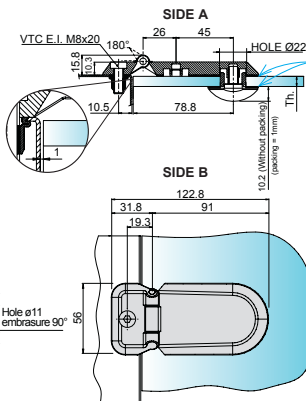
•Products not in stock minimum order: 4 pieces, delivery in 15 days.

2532 Screwable with button locking

Use: for self-supporting **doors** (without external frame, fastening directly on the glass/panel) made of **4-8 mm** thick glass **6-10 mm** thick plexiglass panels. Easily sanitizable on the inside.

Material AISI316 stainless steel hinge, AISI304 stainless steel threaded button, AISI303 stainless steel pin, AISI304 stainless steel screws, AISI303 stainless steel anti-friction washers, black polyethylene bushings and PVC seals (if provided).

State of supply hinge complete with 1 threaded button and 1 M8x20 socket head screw in AISI304 stainless steel. ONLY for the glass version: 1 bushing and 2 seals, 1 mm thick.



QUANTITY DISCOUNT

Q.ty Discounts	1+	4+	8+	16+
	-	-10%	-17%	on request

Order code	Pack	Version	Application	Th mm	Finish Side A	Finish Side B	Weight g	Stock	€ piece
626935	4 pcs	screws	panel	6-10	mirror polishing	mirror polishing	432	■	117,84
626665	4 pcs	screws, bushings and seals	glass	4-8	mirror polishing	mirror polishing	432	■	121,22

•Products not in stock minimum order: 4 pieces, delivery in 15 days.

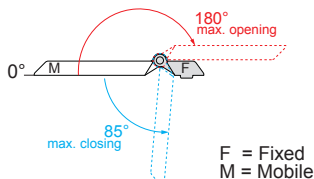
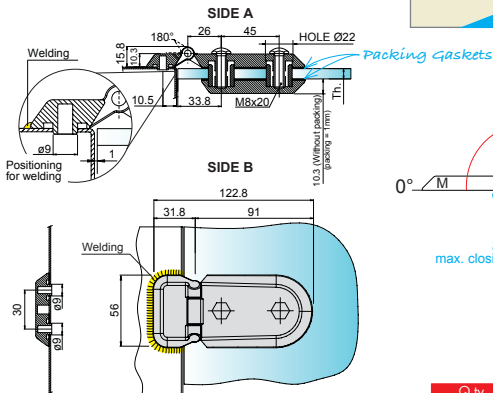
2532 E Weldable with plate locking

Pharma

Use: for self-supporting **doors (without external frame) made of glass with a thickness of 4-6 mm** or Plexiglas panels with a thickness of **6-8 mm**. Particularly suitable for sanitization requirements.

Material: AISI316 stainless steel hinge and plate, AISI303 stainless steel pin, AISI304 and AISI316 stainless steel screws, AISI303 stainless steel anti-friction washers, black polyethylene bushings and PVC seals (if provided).

State of supply: hinge complete with 2 M8x20 special-head screws in AISI304 stainless steel and 2 M6x16 socket head screws in AISI316 stainless steel. Only for the glass version: 2 bushings and 2 seals, 1 mm thick.



F = Fixed
M = Mobile

QUANTITY DISCOUNT

Q.ty Discounts	1+	4+	8+	16+
	-	-10%	-17%	on request

Order code	Pack	Version	Application	Th mm	Finish Side A	Finish Side B	Weight g	Stack	€ piece
690354	4 pcs	screws	panel	6-8	microball-blasting	mirror polishing	650	▪	121,22
626685	4 pcs	screws, bushings and seals	glass	4-6	microball-blasting	mirror polishing	650	▪	127,62

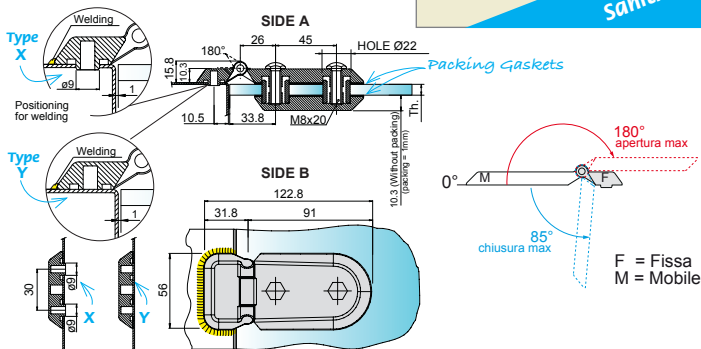
•Products not in stock minimum order: 4 pieces, delivery in 15 days.

2532 H Weldable with plate locking Pharma

Use: for self-supporting **doors** (without external frame) made of glass with a thickness of **4-6 mm** or Plexiglas panels with a thickness of **6-8 mm**.

Material AISI316 stainless steel hinge and plate, AISI303 stainless steel pin, AISI304 and AISI316 stainless steel screws, AISI303 stainless steel anti-friction washers, black polyethylene bushings and PVC seals (if provided).

State of supply hinge complete with 2 M8x20 special-head screws in AISI304 stainless steel and 2 M6x16 socket head screws in AISI316 stainless steel. Only for the glass version: n. 2 bushings 2 seals, 1 mm thick.



QUANTITY DISCOUNT

Q.ty Discounts	1+	4+	8+	16+
		-10%	-17%	on request

Order code	Type	Pack	Version	Application	Th mm	Finish Side A	Finish Side B	Weight g	Socket	€ piece
626705	X	4 pcs	screws	panel	6-8	mirror polishing	mirror polishing	650	■	126,12
626715	X	4 pcs	screws, bushing and seals	glass	4-6	mirror polishing	mirror polishing	650	■	131,10
631328	Y	4 pcs	screws	panel	6-8	mirror polishing	mirror polishing	650	■	130,02
631338	Y	4 pcs	screws, bushing and seals	glass	4-6	mirror polishing	mirror polishing	650	■	135,48

•Products not in stock minimum order: 4 pieces, delivery in 15 days.

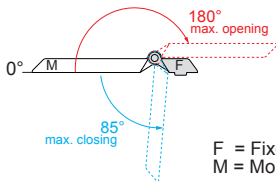
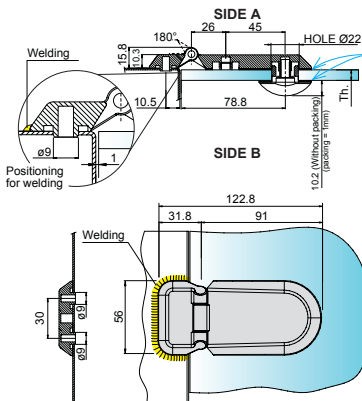
2532 D Weldable with button locking

Pharma

Use: for self-supporting **doors** (without external frame, fastening directly on the glass/panel) made of **4-8 mm** thick glass or **6-10 mm** thick plexiglass panels. Particularly suitable for sanitization requirements.

Material: AISI316 stainless steel hinge and screws, AISI304 stainless steel threaded button, AISI303 stainless steel pin, AISI303 stainless steel anti-friction washers, black polyethylene bushings and PVC seals (if provided).

State of supply: hinge complete with 1 threaded button and 2 M6x16 socket head screws in AISI316 stainless steel. ONLY for the glass version: n. 1 bushing and 2 seals, 1 mm thick.



QUANTITY DISCOUNT

Q.ty	1+	4+	8+	16+
Discounts	-	-10%	-17%	on request

Order code	Pack	Version	Application	Th mm	Finish Side	Finish Side B	Weight g	Stock	€ piece
626945	4 pcs	screws	panel	6-10	mirror polishing	mirror polishing	447	■	126,12
626675	4 pcs	screws, bushings and seals	glass	4-8	mirror polishing	mirror polishing	447	■	131,10

■ **Products not in stock** minimum order: 4 pieces, delivery in 15 days

2532

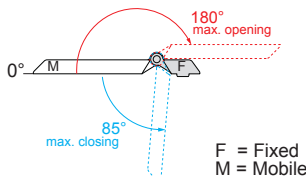
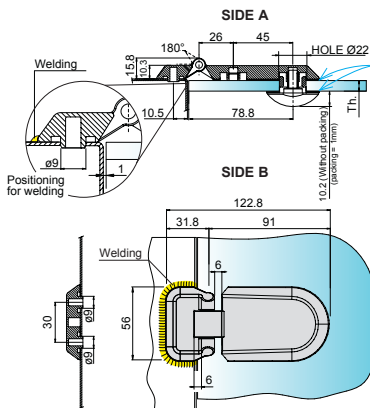
Weldable with button locking

Pharma

Use: for self-supporting **doors** (without external frame) made of glass with a thickness of **4-8 mm** or Plexiglas panels with a thickness of **6-10 mm**. Particularly suitable for sanitization requirements.

Material AISI316 stainless steel hinge, AISI304 stainless steel button, AISI303 stainless steel pin, AISI316 stainless steel screws, AISI303 stainless steel anti-friction washers, black polyethylene bushings and PVC seals (if provided).

State of supply hinge complete with 1 threaded button and 2 M6x16 socket head screws in AISI316 stainless steel. Only for the glass version: n. 1 bushing and 2 seals, 1 mm thick.



QUANTITY DISCOUNT

Q.ty Discounts	1+	4+	8+	16+
	-	-10%	-17%	on request

Order code	Pack	Version	Application	Th mm	Finish Side A	Finish Side B	Weight g	Stock	€ piece
653795	4 pcs	screws	panel	6-10	mirror polishing	mirror polishing	432	■	133,30
626725	4 pcs	screws, bushings and seals	glass	4-8	mirror polishing	mirror polishing	432	■	138,28

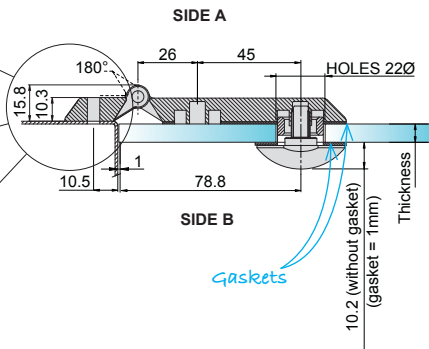
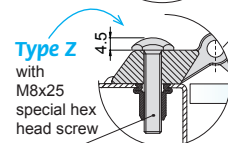
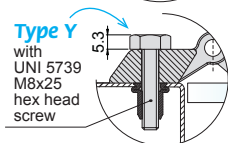
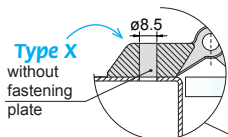
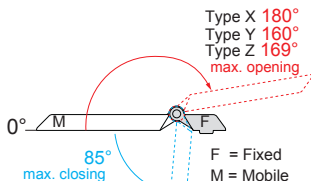
•Products not in stock minimum order: 4 pieces, delivery in 15 days.

2532 **P** → Screwable with locking with button

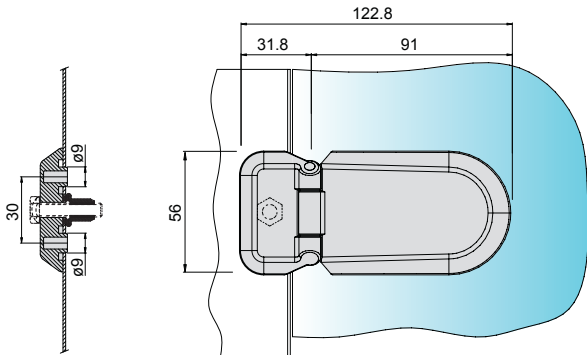
Use: for **self-supporting** doors (without external framework, fastening directly on the glass/panel) made of **4-8 mm** thick glass or Plexiglas panels with a thickness of **6-10 mm**.

Material: AISI316 stainless steel hinge, AISI304 stainless steel threaded button, AISI303 stainless steel pin, AISI316 stainless steel screws, AISI303 stainless steel antifriction washers, black polyethylene bushings and PVC gaskets (if provided).

State of supply: hinge complete with 1 threaded button and 2 M6x16 socket head screws, 1 fixing screw (if provided, see table); only for the glass version: 1 bushing and 2 gaskets, 1 mm thick (see table).



↓ 2532 **P** Screwable with locking with button



QUANTITY DISCOUNT

Q.ty	1+	4+	8+	16+
Discounts	-	-10%	-17%	on request

Order code	Type	Pack	Version	Application	Sp mm	Finish Side A	Finish Side B	Weight g	Stock	€ piece
696228	X	4 pcs	screws	panel	6-10	microball-blasting	mirror polishing	425	■	107,80
696238	X	4 pcs	screws, bushings and gaskets	glass	4-8	microball-blasting	mirror polishing	425	■	111,17
696248	Y	4 pcs	screws	panel	6-10	microball-blasting	mirror polishing	435	■	109,23
696258	Y	4 pcs	screws, bushings and gaskets	glass	4-8	microball-blasting	mirror polishing	435	■	112,60
696268	Z	4 pcs	screws	panel	6-10	microball-blasting	mirror polishing	440	■	112,31
696278	Z	4 pcs	screws, bushings and gaskets	glass	4-8	microball-blasting	mirror polishing	440	■	115,68

■ Products not in stock minimum order 4 pieces, delivery in 15 days.



Handles



Handles

③ p.84



Handles and screw caps



③ p.96



Modular and screw caps

③ p.109



For pharmaceutical use (Pharma)

③ p.142



Cremone handles

③ p.148



Snap-handles

③ p.149



WARNINGS

Only the Italian version of this catalogue is to be understood as the original version. Bert Sistemi shall not be held liable for any translation or transcription errors. The information contained in this catalogue is exclusively meant for component description purposes and shall not be understood as a statement made by Bert Sistemi regarding a specific characteristic of the component or its suitability for a specific use. The data provided shall not relieve the customers from their responsibilities in selecting and using any and all components. All information is based on the data available at the time of publishing and is not binding. Bert Sistemi shall not be held liable for any incomplete or wrong information, and for any damage which may arise in connection with such information. The products may be modified at any time without prior notice, we therefore recommend that you always check the product updates at the website www.bertsistemi.com

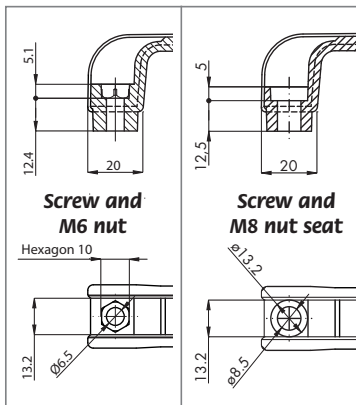
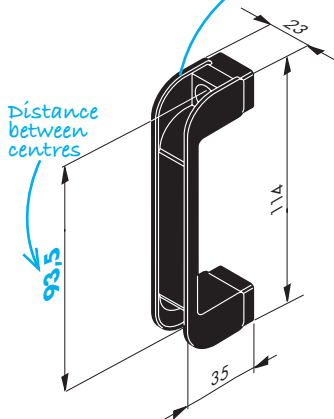
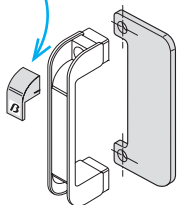
1379 → In polyamide, distance between centres 93.5 mm

Use: when total cleanliness is required.

Material: reinforced polyamide handle, nuts and bolts in galvanised aluminium or stainless steel (if provided, see table).

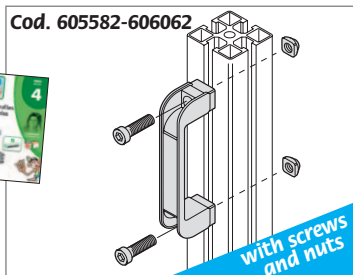
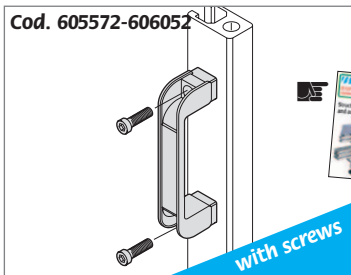
Other colours: minimum order: 1000 pieces, delivery in 15 days.

Combinations:



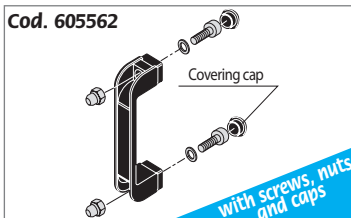
↓ 1379

In polyamide, distance between centres 93.5 mm



State of supply complete with 2 M6x20 screws

State of supply complete with 2 M8x25 screws and 2 M8 square nuts



State of supply complete with 2 M6x16 socket head screws, 2 blind nuts, 2 caps end caps Ø13.5 and 2 washers.

QUANTITY DISCOUNT

Q.ty	1+	12+	24+	48+
Discounts	-	-10%	-17%	on request

Order code	Pack	Version	Seat for screw	Colour handle/caps	Material nuts and bolts	Weight g	Stock	€ piece
605542	12 pcs	w/out nuts and bolts	M6	black RAL9005	-	34	✓	2,05
605552	12 pcs	w/out nuts and bolts	M8	black RAL9005	-	34	✓	2,05
606032	12 pcs	w/out nuts and bolts	M6	grey RAL7016	-	34	✓	2,05
606042	12 pcs	w/out nuts and bolts	M8	grey RAL7016	-	34	✓	2,05
605572	12 pcs	screws	M6	black RAL9005	galvanised	50	✓	2,74
606052	12 pcs	screws	M6	grey RAL7016	galvanised	50	✓	2,74
605582	12 pcs	w. screws and nuts	M8	black RAL9005	galvanised	66	✓	2,74
606062	12 pcs	w. screws and nuts	M8	grey RAL7016	galvanised	66	✓	2,74
605562	12 pcs	w. screws and nuts	M6	black RAL9005	stainless steel	55	✓	3,90

Other colours minimum order: 1000 pieces, delivery in 15 days

Screw caps to order the handle with the screw caps (Part no.1411) follow the indications onPg.104

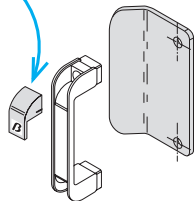
1391 → In polyamide, distance between centres 116 mm

Use: when you need total cleanliness without pooling areas; this handle offers a wider, more comfortable and secure grip.

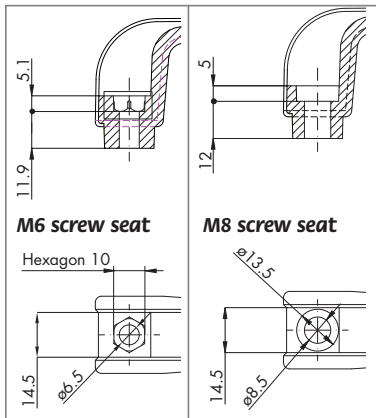
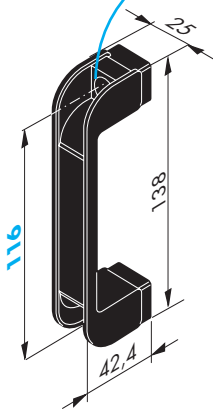
Material: reinforced polyamide handle, nuts and bolts in galvanised aluminium or stainless steel (if provided, see table).

Other colours: minimum order: 1000 pieces, delivery in 15 days.

Combinations:

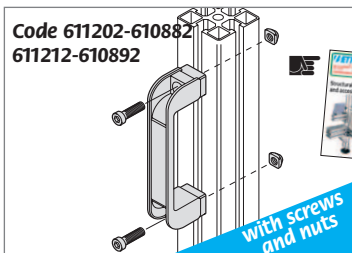


Distance between centres

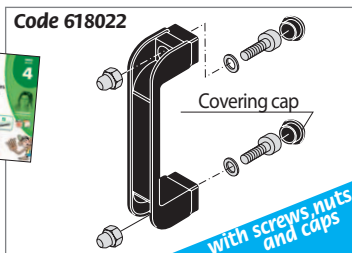


↓ 1391

In polyamide, distance between centres 116 mm



State of supply complete with 2 M6x20 or M8x20 screws (see table)



State of supply complete with 2 M6x16 socket head screws, 2 blind nuts, 2 caps end caps Ø13.5 and 2 washers.

QUANTITY DISCOUNT

Q.ty Discounts	1+	12+	24+	48+
	-	-10%	-17%	on request

Order code	Pack	Version	Seat for screw	Colour handle/caps	Material nuts and bolts	Weight g	Stock	€ piece
611182	24 pcs	w/out nuts and bolts	M6	black RAL9005	-	58	✓	1,88
611162	24 pcs	w/out nuts and bolts	M8	black RAL9005	-	58	✓	1,88
611192	24 pcs	w/out nuts and bolts	M6	grey RAL7016	-	58	✓	1,88
611172	24 pcs	w/out nuts and bolts	M8	grey RAL7016	-	58	✓	1,88
611202	24 pcs	w. screws and nuts	M6	black RAL9005	galvanised	74	✓	3,28
610882	24 pcs	w. screws and nuts	M8	black RAL9005	galvanised	74	✓	3,28
611212	24 pcs	w. screws and nuts	M6	grey RAL7016	galvanised	74	✓	3,28
610892	24 pcs	w. screws and nuts	M8	grey RAL7016	galvanised	85	✓	3,28
618022	24 pcs	w. screws, nuts, caps	M6	black RAL9005	stainless steel	60	✓	4,36

Other colours minimum order: 1000 pieces, delivery in 15 days

Screw caps to order the handle with the screw caps (Part no.1412) follow the indications on Pg.105

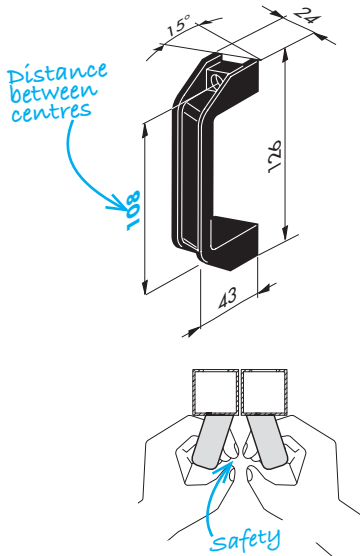
1375 Tilted base distance between centres: 108 mm

Use: when you need total cleanliness without pooling areas.

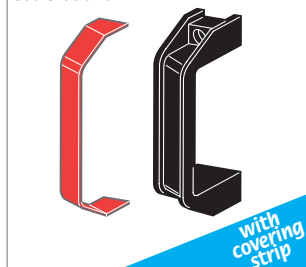
Material handle in technopolymer reinforced with glass fibre.

Characteristics: particularly suitable for double doors; suitable for commercial M6 nuts and bolts.

State of supply single handle complete with orange covering strip.



Code 698161



State of supply single handle complete with lobster pink covering strip.

QUANTITY DISCOUNT

Q.ty	1+	5+	10+	20+
Discounts	-	-10%	-17%	on request

Order code	Pack	Version	Colour handle	Weight g	Stock	€ piece
698171	10 pcs	without covering strip	black RAL9005	45	■	1,72
698161	10 pcs	with covering strip	black RAL9005	53	■	1,88

*Products not in stock minimum order: 10 pieces, delivery in 10 days.

3848

Tube Ø20 Pharma

Use: suitable for fitting on single swing doors. If fitted on double swing doors, we recommend that you fit the handles at different heights in order to avoid accidentally knocking the fingers against each other when the doors are opened or closed.

Applicable to control panels both sideways (Fig.1) and frontally.

Material: stainless steel AISI 303 and 304.

State of supply: 1 handle with provision for M8 nuts, nr. 2 seals in elastomer.

Combinations:

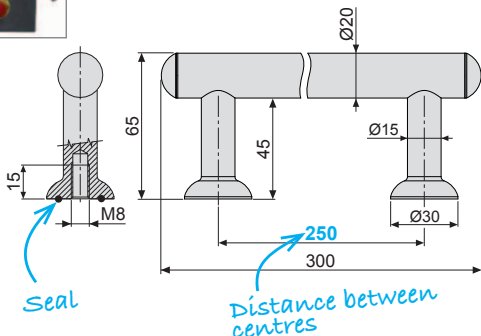
Stainless steel



Fig. 1



Fig. 2



QUANTITY DISCOUNT

Q.ty Discounts	2+	4+	10+	20+
	-	-10%	-15%	on request

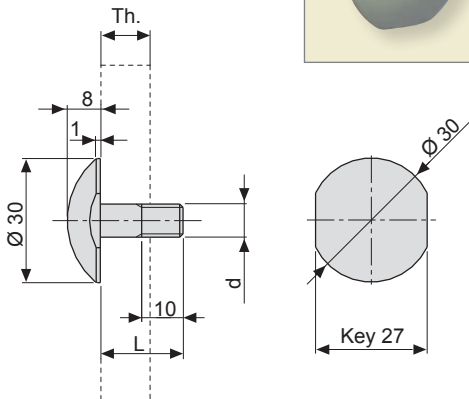
Order code	Pack	Finish	Weight g	Stock	€ piece
637698	2 pcs	polished	390	■	66,63

■ Products not in stock minimum order: 10 pieces, delivery in 15 days.

2948 **Pharma** panel fastening button

Use: for fastening in general on polycarbonate panels; thanks to the convex shape of the button, it is particularly suitable for applications in the pharmaceutical sector.

Material: AISI 303 stainless steel.



QUANTITY DISCOUNT

Q.ty	4+	8+	16+	24+
Discounts	-	-10%	-17%	on request

Order code	Pack	d	Th. mm	L mm	Finishing	Weight g	Stock	€ piece
689275	4 pcs	M8	10÷12	18,5	polished	30	■	17,92

*Products not in stock minimum order 4 pieces, delivery 15 days.

2048

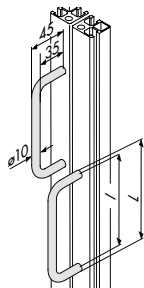
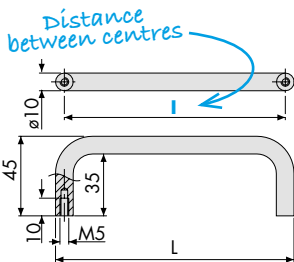
 With round shaft $\varnothing 10$

Use: suitable for fitting on single swing doors. If fitting on double swing doors, it is advisable to fit the handles at different heights in order to avoid accidentally knocking the fingers against each other when the doors are opened or closed with both hands.

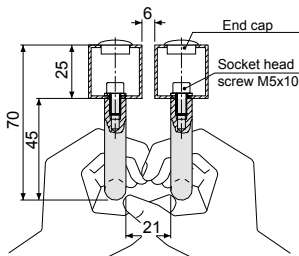
Material round tube $\varnothing 10$ in AISI 304 stainless steel.

State of supply 1 handle with provision for M5 nuts and bolts.

Stainless steel



Recommended for double swing doors



QUANTITY DISCOUNT

Q.ty Discounts	1+	5+	10+	20+
	-	-10%	-17%	on request

Order code	Pack	L mm	l mm	Finish	Weight g	Stock	€ piece
684663	10 pcs	135	125	shoot peening	119	✓	8,11
615009	10 pcs	110	100	shoot peening	88	✓	8,11

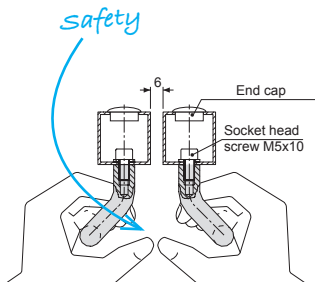
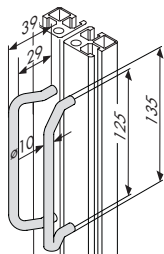
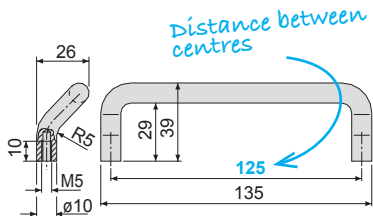
On request the handles can be delivered polished

2087 with round shaft $\varnothing 10$ safety

Use: suitable for fitting on double swing doors. The design of this handle allows side-by-side fitting without the risk of knocking the fingers against each other when the doors are opened or closed with both hands.

Material: round shaft $\varnothing 10$ in AISI 304 stainless steel.

State of supply: 1 handle with provision for M5 nuts and bolts.



QUANTITY DISCOUNT

Q.ty Discounts	1+	5+	10+	20+
	-	-10%	-17%	on request

Order code	Pack	Finish	Weight g	Stock	€ piece
684643	10 pcs	microball-blasting	119	✓	9,61

On request the handles can be delivered polished

4102

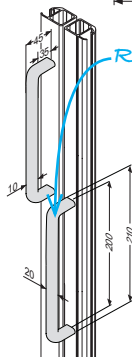
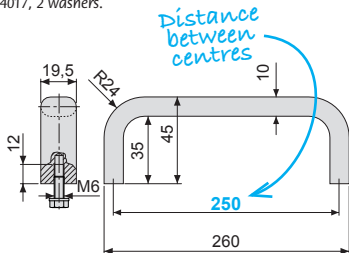
In stainless steel with **oval cross-section**

Use: suitable for fitting on single swing doors or on control panels. If fitted on double swing doors, we recommend that you fit the handles at different heights in order to avoid accidentally knocking the fingers against each other when the doors are opened or closed.

Material Handle in stainless steel AISI 303, nuts and bolts in stainless steel AISI 304.

State of supply 1 handle, 2 hexagon head screws M6x12 UNI EN 24017, 2 washers.

Stainless steel



Recommended for double swing doors



Q.ty Discounts	QUANTITY DISCOUNT			
	2+	4+	10+	20+
	-	-5%	-10%	on request

Order code	Pack	Finish	Weight g	Stock	€ piece
628907	2 pcs	semi-polished and with barrel-finishing	434	■	45,55

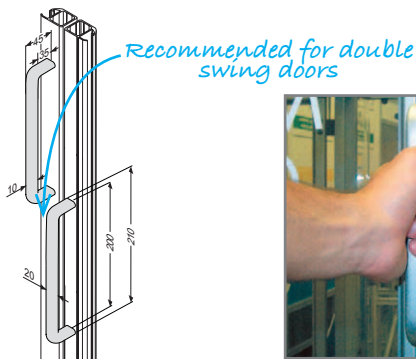
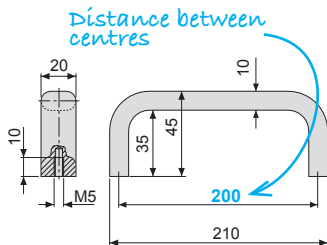
■ Products not in stock minimum order 10 pieces, delivery in 15 days.

2074 In aluminium with oval cross-section

Use: suitable for fitting on single swing doors. If fitted on double swing doors, make sure to work and assembled following a staggered pattern, to avoid accidentally knocking the fingers against each other when the doors are opened or closed with both hands.

Material anodised aluminium.

State of supply 1 handle with provision for M5 nuts and bolts.



QUANTITY DISCOUNT

Q. ty	1+	5+	10+	20+
Discounts	-	-10%	-17%	on request

Order code	Pack	Finish	Weight g	Stock	€ piece
683973	10 pcs	anodised	125	■	15,09

*Products not in stock minimum order: 10 pieces, delivery in 15 days.

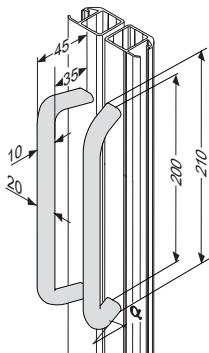
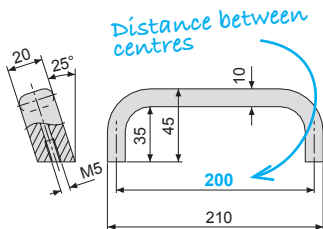
2075

In aluminium with oval cross-section

Use: suitable for fitting on double swing doors. The design of this handle allows side-by-side fitting without the risk of knocking the fingers against each other when the doors are opened or closed with both hands.

Material anodised aluminium.

State of supply 1 handle with provision for M5 nuts and bolts.



QUANTITY DISCOUNT

Q. ty	1+	5+	10+	20+
Discounts	-	-10%	-17%	on request

Order code	Pack	Finish	Weight g	Stock	€ pezzo
683983	10 pcs	anodised	125	■	25,07

■ Products not in stock minimum order: 10 pieces, delivery in 15 days.

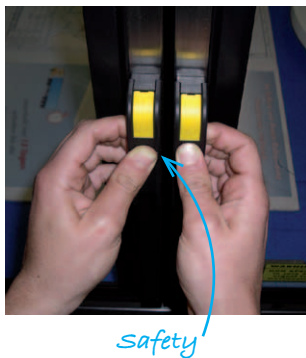
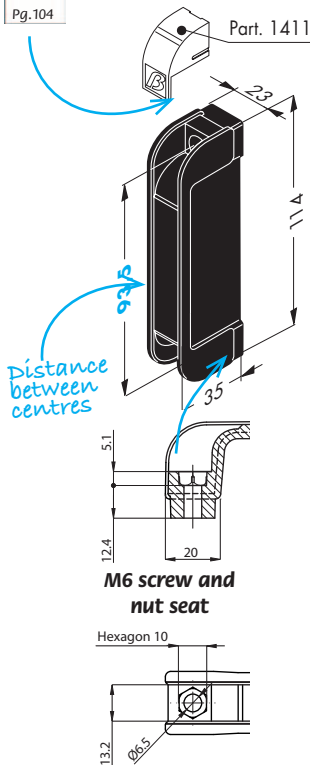
1382 → In polyamide, distance between centres 93.5 mm

Use: for generic uses and fittings.

Material: reinforced polyamide handle.

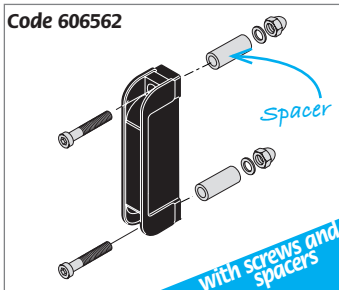
State of supply: complete with safety guard.

Combinations:

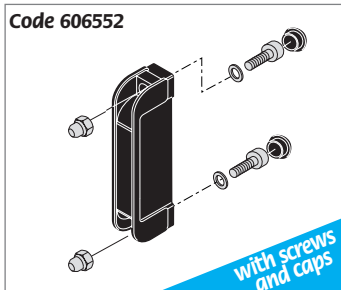


↓ 1382

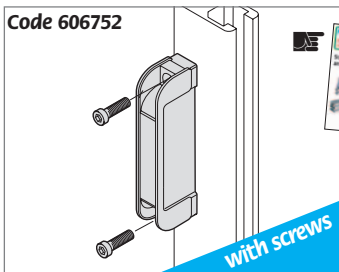
In polyamide, distance between centres 93.5 mm



Use: for 25x25 tubes with fitting from the inside.
State of supply complete with safety shield, 2 M6x45 socket head screws, 2 washers, 2 blind hexagon nuts, 2 spacers



Use: for 25x25 tubes with front fitting.
State of supply complete with safety shield, 2 M6x20 socket head screws, 2 washers, 2 blind hexagon nuts, 2 end caps.



State of supply complete with safety guard, 2 M6x20 screws

QUANTITY DISCOUNT

Q.ty Discounts	1+	12+	24+	48+
	-	-10%	-17%	48+ on request

Order code	Pack	Screws	Plugs	Spacers	Seat for screw	Color handle	Finition screws	Weight g	Stock	€ piece
618672	24 pcs	no	no	no	M6	black RAL9005	-	66	✓	2,40
618682	24 pcs	no	no	no	M6	grey RAL7016	-	66	✓	2,40
606552	12 pcs	yes	yes	no	M6	black RAL9005	stainless steel	73	✓	7,50
606562	12 pcs	yes	no	yes	M6	black RAL9005	stainless steel	83	✓	7,50
606752	24 pcs	yes	no	no	M6	black RAL9005	galvanised	39	✓	7,13

Screw caps to order the handle with the screw caps (Part no.1411) follow the indications on Pg.104

1586 → In polyamide, distance between centres 93.5 mm

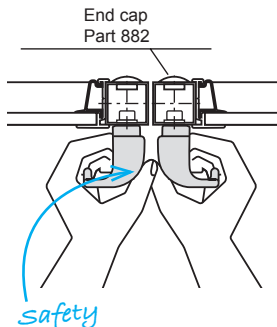
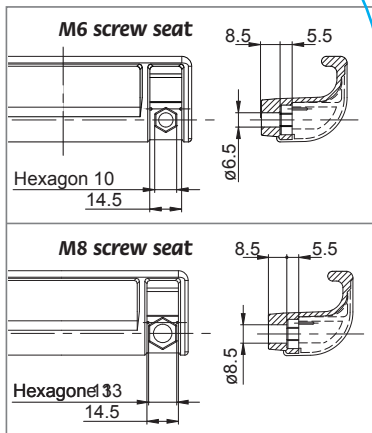
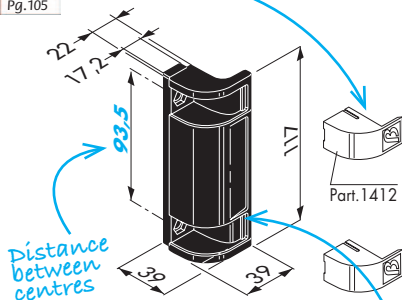
Use: for generic uses and fittings.

Material: reinforced polyamide handle, galvanised steel nuts and bolts (where provided, see table).

Combinations:



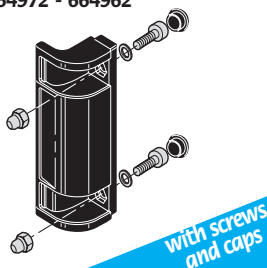
Pg. 105



↓ 1586

In polyamide, distance between centres 93.5 mm

Code 664972 - 664962

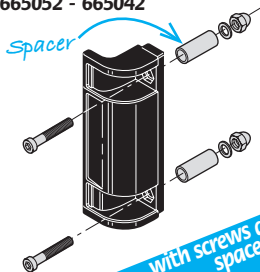


with screws and caps

Use: for 25x25 tubes with fitting from the inside.

State of supply Complete with 4 M6x10 socket head screws, 2 blind nuts, 4 AISI 304 stainless steel washers, 4 end caps in black polyethylene.

Code 665052 - 665042



with screws and spacers

Use: for 25x25 tubes with front fitting.

State of supply Complete with 2 M6x40 socket head screws, 2 washers, 2 blind nuts, 2 spacers.

QUANTITY DISCOUNT

Q.ty Discounts	1+	6+	12+	24+
	-	-10%	-17%	on request

Order code	Pack	Version	Seat for screw	Colour handle	Finition screws	Weight g	Stack	€ piece
664942	12 pcs	w/out nuts and bolts	M6	grey RAL7016	-	55	✓	2,28
664952	12 pcs	w/out nuts and bolts	M6	black RAL9005	-	55	✓	2,28
665022	12 pcs	w/out nuts and bolts	M8	grey RAL7016	-	55	✓	2,28
665032	12 pcs	w/out nuts and bolts	M8	black RAL9005	-	55	✓	2,28
665062	12 pcs	w. screws and nuts	M8	grey RAL7016	galvanised	87	✓	5,66
665072	12 pcs	w. screws and nuts	M8	black RAL9005	galvanised	87	✓	5,66
665002	12 pcs	w. screws and nuts	M6	grey RAL7016	galvanised	87	✓	5,66
665012	12 pcs	w. screws and nuts	M6	black RAL9005	galvanised	87	✓	5,66
664972	12 pcs	w. screws and nuts	M6	black RAL9005	galvanised	80	✓	6,50
664962	12 pcs	w. screws and nuts	M6	grey RAL7016	galvanised	80	✓	6,50
665052	12 pcs	w. screws and spacers	M6	black RAL9005	galvanised	92	✓	6,50
665042	12 pcs	w. screws and spacers	M6	grey RAL7016	galvanised	92	✓	6,50

Screw caps to order the handle with the screw caps (Part no.1412) follow the indications on Pg.105

4292 → In polyamide with safety shield

distance between centres: 116 mm



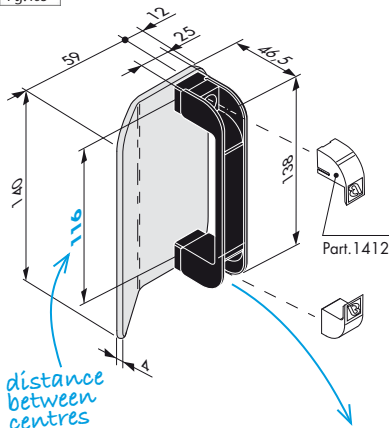
Use: thanks to the safety shield provided, which prevents accidentally crushing the fingers, this handle is particularly suitable for applications on sliding doors (both vertical and horizontal) and folding doors.

Material: handle in polyamide reinforced with glass fibre, shield in shockproof acrylic, nuts and bolts in steel.

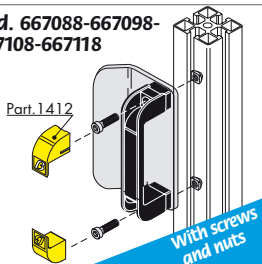
Characteristics: the shape allows complete cleaning without stagnation areas; this handle offers a wide, comfortable and secure grip.

State of supply: depending on the version, complete with screws and caps (see table).

Combinations:

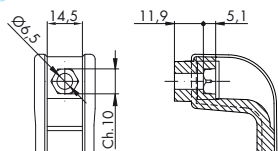


Cod. 667088-667098-667108-667118

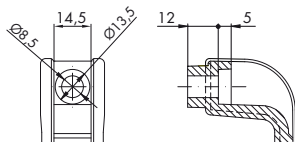


State of supply: complete with 2 M6/M8x25 screws and 2 M6/M8 square nuts

M6 screw seat



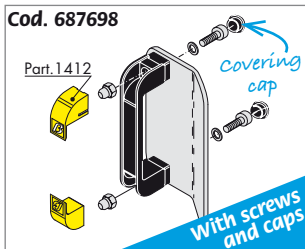
M8 screw seat



↓ 4292

In polyamide with safety shield

distance between centres: 116 mm



State of supply complete with 2 UNI 5931 M6x20 screws, 2 blind nuts, 2 13.50 end caps and 2 washers.

Application on sliding door

Application on sliding door



QUANTITY DISCOUNT

Qty Discounts	1+	12+	24+	48+
	-	-10%	-17%	contact us

Order code	Pack	Handle colour	Screw seat	Nuts and bolts	Nuts and bolts finish	Weight g	Stock	€ piece
667048	24 pcs	grey RAL7016	M6	no	-	82	✓	9.43
667058	24 pcs	black RAL9005	M6	no	-	82	✓	9.43
667068	24 pcs	grey RAL7016	M8	no	-	82	✓	9.43
667078	24 pcs	black RAL9005	M8	no	-	82	✓	9.43
667088	24 pcs	grey RAL7016	M6	Screws and nuts	galvanised	96	✓	10.83
667098	24 pcs	black RAL9005	M6	Screws and nuts	galvanised	96	✓	10.83
667108	24 pcs	grey RAL7016	M8	Screws and nuts	galvanised	96	✓	10.83
667118	24 pcs	black RAL9005	M8	Screws and nuts	galvanised	96	✓	10.83
687698	24 pcs	black RAL9005	M6	Screws and caps	galvanised	84	✓	11,92

Customisations other colours

•Products not in stock/minimum order: 1000 pieces, delivery in 15 days.

4293 → In polyamide with safety shield distance between centres: 93.5 mm

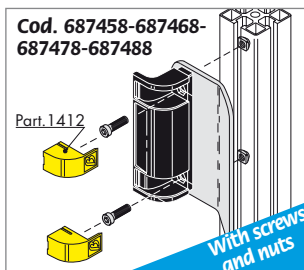
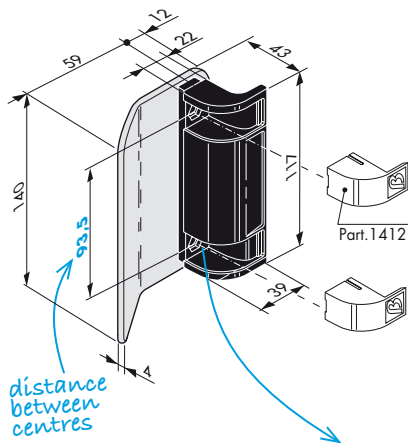
Use: thanks to the safety shield provided, which prevents accidentally crushing the fingers, this handle is particularly suitable for applications on sliding doors (both vertical and horizontal) and folding doors.

Material: handle in polyamide reinforced with glass fibre, shield in shockproof acrylic, nuts and bolts in steel.

Characteristics: the shape provides additional finger protection.

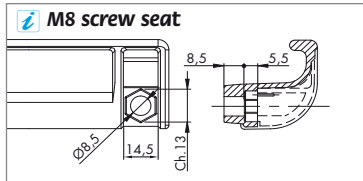
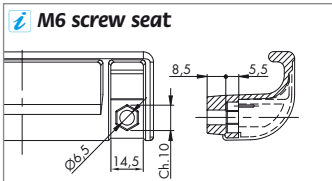
State of supply: depending on the version, complete with screws, caps and spacers (see table).

Combinations



**Cod. 687458-687468-
687478-687488**

State of supply complete with 2 M6/M8x25 screws and 2 M6/M8 square nuts.

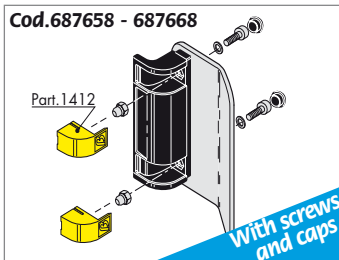




↓ 4293

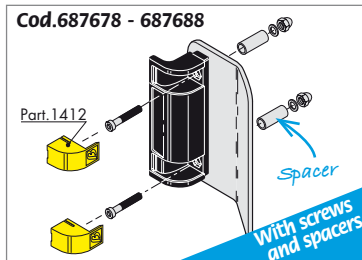
In polyamide with safety shield

distance between centres: 93.5 mm



Use: For 25x25 tubes with fitting from the inside.

State of supply complete with 2 UNI 5931 M6x16 screws, 2 blind nuts, 2 washers, 2 caps in black polyethylene.



Use: for 25x25 tubes with front fitting.

State of supply complete with 2 UNI 5931 M6x40 screws, 2 washers, 2 blind nuts, 2 spacers.

Application on folding door



QUANTITY DISCOUNT

Qty Discounts	1+	6+	12+	24+
	-	-10%	-17%	contact us

Order code	Pack	Handle colour	Screw seat	Nuts and bolts	Nuts and bolts finish	Weight g	Stack	€ piece
687418	12 pcs	grey RAL7016	M6	no	-	79	✓	9.83
687428	12 pcs	black RAL9005	M6	no	-	79	✓	9.83
687438	12 pcs	grey RAL7016	M8	no	-	79	✓	9.83
687448	12 pcs	black RAL9005	M8	no	-	79	✓	9.83
687458	12 pcs	grey RAL7016	M6	Screws and nuts	galvanised	101	✓	13.21
687468	12 pcs	black RAL9005	M6	Screws and nuts	galvanised	101	✓	13.21
687478	12 pcs	grey RAL7016	M8	Screws and nuts	galvanised	101	✓	13.21
687488	12 pcs	black RAL9005	M8	Screws and nuts	galvanised	101	✓	13.21
687658	12 pcs	grey RAL7016	M6	Screws and caps	galvanised	104	✓	14.06
687668	12 pcs	black RAL9005	M6	Screws and caps	galvanised	104	✓	14.06
687678	12 pcs	grey RAL7016	M8	screws and spacers	galvanised	116	✓	14.06
687688	12 pcs	black RAL9005	M8	screws and spacers	galvanised	116	✓	14.06

Customisations other colours

Products not in stock minimum order: 1000 pieces, delivery in 15 days.

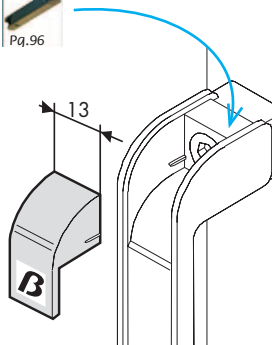
1411 **Small** snap-fit screw cap

Use: Screw cap used to improve the handle aesthetics and avoid dust infiltrations in the screw seat.

Material: polypropylene.

Characteristics: available in various colours and customizable.

Combinations



Handle with caps to order a handle with screw caps add the identification letter of the desired colour at the end of the handle part:

Y : yellow RAL 1021

R : red RAL 3020

O : orange RAL 2004

G : grey RAL 7016

B : black RAL 9005

C : blue RAL 5015

Example: to order a handle with RAL 5015 blue screw caps indicate: **Part code 1586. 665072/C**

QUANTITY DISCOUNT

Q.ty	1+	12+	24+	48+
Discounts	-	-10%	-17%	on request

Order code	Pack	Colour	Weight g	Stock	€ piece
618532	24 pcs	yellow RAL1021	2	✓	0,52
618542	24 pcs	red RAL3020	2	✓	0,52
618552	24 pcs	orange RAL2004	2	✓	0,52
618562	24 pcs	blue RAL5015	2	✓	0,52
686952	24 pcs	grey RAL7016	2	✓	0,52
686962	24 pcs	black RAL9005	2	✓	0,52

1412

Large snap-fit screw cap

Use: screw cap used to improve the handle aesthetics and avoid dust infiltrations in the screw seat.

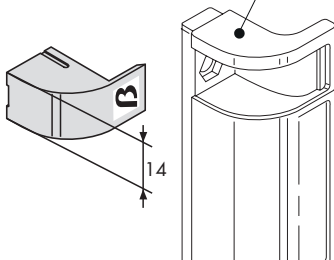
Material polypropylene.

Characteristics: available in various colours and customizable.

Combinations



Part 1391,1586



Handle with caps to order a handle with screw caps add the identification letter of the desired colour at the end of the handle part:

Y : yellow RAL 1021

G : grey RAL 7016

R : red RAL 3020

B : black RAL 9005

O : orange RAL 2004

C : blue RAL 5015

Example: to order a handle with RAL 5015 blue screw caps indicate: **Part code 1586. 665072/C**

QUANTITY DISCOUNT

Q.ty Discounts	1+	12+	24+	48+
	-	-10%	-17%	on request

Order code	Pack	Colour	Weight g	Stock	€ piece
618572	24 pcs	yellow RAL1021	3,2	✓	0,52
618582	24 pcs	red RAL3020	3,2	✓	0,52
618592	24 pcs	orange RAL2004	3,2	✓	0,52
618602	24 pcs	blue RAL5015	3,2	✓	0,52
686972	24 pcs	grey RAL7016	3,2	✓	0,52
686982	24 pcs	black RAL9005	3,2	✓	0,52

1374

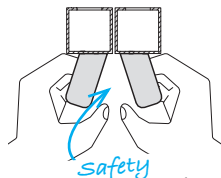
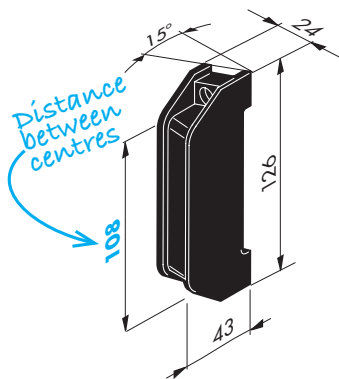
With inclined base **distance between centres: 108 mm**

Use: allows door opening, preventing possible finger trapping.

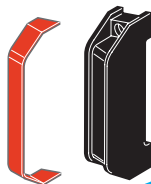
Material handle in technopolymer reinforced with glass fibre.

Characteristics: particularly suitable for double doors with safety handle; suitable for commercial M6 nuts and bolts.

State of supply single handle complete with covering strip.



Code 698141 - 698411



with covering strip

State of supply single handle complete with covering strip.

QUANTITY DISCOUNT

Q.ty Discounts	1+	5+	10+	20+
	-	-10%	-17%	on request

Order code	Pack	Covering strip	Colour covering strips	Colour handle	Weight g	Stock	€ piece
698151	10 pcs	no	-	black RAL9005	51	■	2,71
698141	10 pcs	yes	orange RAL2004	black RAL9005	59	■	3,18
698411	10 pcs	yes	red RAL3020	black RAL9005	59	■	3,18

•Products not in stock minimum order 10 pieces, delivery in 10 days.

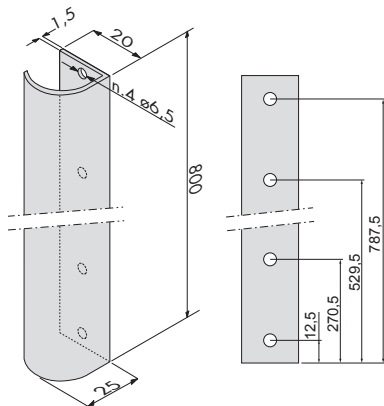
2596

For sliding doors

Use: in addition to its safety function, the handle can be used to strengthen sliding doors made with 6mm thick panels without frame, preventing flexure due to tensile stress such as opening and closing.

Material: stainless steel handle; stainless steel screws.

State of supply: complete with 1 drilled handle; 4 M6x16 socket head cap screws; 4 M6 blind nuts; 4 M6 washers.



QUANTITY DISCOUNT		Q. ty	1+	2+	4+	8+
Discounts			-	-10%	-17%	on request

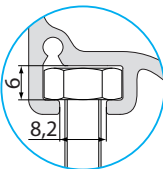
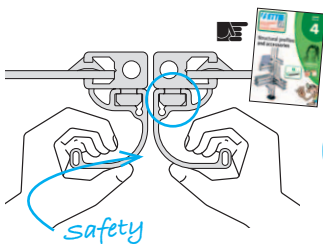
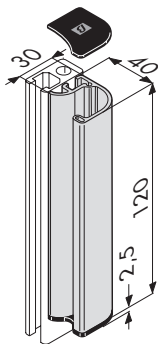
Order code	Pack	Finish	Weight g	Stock	€ piece
628735	2 pcs	brushed	560	✓	27,47

1768 Safety

Use: allows the operator to open the doors and at the same time prevents finger trapping.

Material: aluminium handle; ABS end caps.

State of supply: complete with 2 end caps.



Nuts and bolts usable:

- UNI EN 24014, 24016, 28765, 24017, 24018, 28676 M8 hexagon head screws;
- UNI 5589 M8 short hexagon nuts.

QUANTITY DISCOUNT

Q.ty	1+	5+	10+	20+
Discounts	-	-10%	-17%	on request

Order code	Pack	Finish handle	Colour end	Weight g	Stock	€ piece
691942	10 pcs	anodised 15 µm	black RAL9005	110	■	5,67
692032	10 pcs	anodised 15 µm	grey RAL7016	110	■	5,67
692042	10 pcs	anodised 15 µm	grey RAL7035	110	■	5,67

*Products not in stock minimum order 1 piece, delivery in 5 days

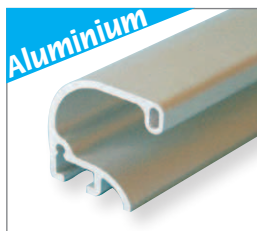
1770

Profile for custom-made handles

Use: custom-made safety handles.

Material Aluminium.

Nuts and bolts usable: UNI EN 24014 - 24016 - 28765 - 24017 - 24018 - 28676 M8 hexagon head screws, UNI 5589 M8 short hexagon nuts.


QUANTITY DISCOUNT

Q.ty Discounts	1+	2+	4+	8+
	-	-10%	-17%	on request

Order code	Pack	Finish	Weight kg/mt	Stock	€ bar
691962	2 x 3 m	anodised 15 µm	0,86	✓	46,08

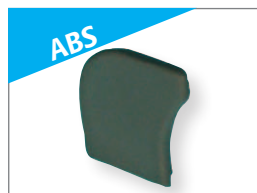
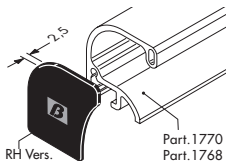
1769

RH/LH end cap

Use: for handle Part 1770, 1768; RH and LH vers.

Material ABS

Assembly: snap-fitting or gluing with epoxy or cyanoacrylate glue.


QUANTITY DISCOUNT

Q.ty Discounts	1+	20+	40+	80+
	-	-10%	-17%	on request

Order code	Pack	Colour	Version	Weight g	Stock	€ piece
691952	40 pcs	black RAL9005	RH	3	✓	1,18
692002	40 pcs	black RAL9005	LH	3	✓	1,18
691982	40 pcs	grey RAL7016	RH	3	✓	1,18
692012	40 pcs	grey RAL7016	LH	3	✓	1,18
691992	40 pcs	grey RAL7035	RH	3	✓	1,18
692022	40 pcs	grey RAL7035	LH	3	✓	1,18

2638 → **Angled** handle kit Ø28-Ø30 tube

Material reinforced polyamide couplings, polypropylene end caps, anodised aluminium or AISI 304 stainless steel tube.

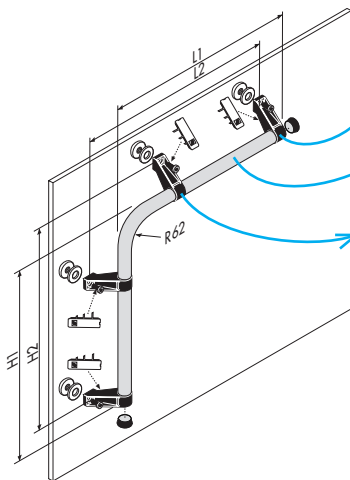
State of supply 4 handle couplings; 2 end caps; 1 tube cut and bent to size; 4 M8x20 socket head screws.

Combinations



Pg.126

Pg.127



D=Ø28 Part.4194
D=Ø30 Part.1902

Part.2687

D=Ø28 Part.4195
D=Ø30 Part.1931



↓ 2638 Angled handle kit Ø28-Ø30 tube

Color map

black RAL9005; grey RAL7016; yellow RAL1021

QUANTITY DISCOUNT

Qty Discounts	1+	2+	4+	8+
	-	-10%	-17%	on request

Order code	Pack	D Ø	Screws	H1 mm	H2 mm	L1 mm	L2 mm	Coupling colour	Cap colour	Material Tube	Finish Screws	Weight g	Stock	€ piece
635968	1 pc	28	yes	900	918,5	800	818,5	black	black	A	galvanised	-	✓	103,46
675778	1 pc	28	yes	900	918,5	800	818,5	black	yellow	A	galvanised	-	✓	103,46
675788	1 pc	28	yes	900	918,5	800	818,5	grey	yellow	A	galvanised	-	✓	103,46
635998	1 pc	28	no	900	918,5	800	818,5	black	black	A	-	-	✓	102,92
675798	1 pc	28	no	900	918,5	800	818,5	black	yellow	A	-	-	✓	102,92
675808	1 pc	28	no	900	918,5	800	818,5	grey	yellow	A	-	-	✓	102,92
636028	1 pc	28	yes	900	918,5	800	818,5	black	black	M	stainless steel	-	■	159,71
675818	1 pc	28	yes	900	918,5	800	818,5	black	yellow	M	stainless steel	-	■	159,71
675828	1 pc	28	yes	900	918,5	800	818,5	grey	yellow	M	stainless steel	-	■	159,71
636058	1 pc	28	no	900	918,5	800	818,5	black	black	M	-	-	■	156,93
675838	1 pc	28	no	900	918,5	800	818,5	black	yellow	M	-	-	■	156,93
675848	1 pc	28	no	900	918,5	800	818,5	grey	yellow	M	-	-	■	156,93
601185	1 pc	30	yes	900	924	800	824	black	black	A	galvanised	-	■	120,45
601195	1 pc	30	yes	900	924	800	824	black	yellow	A	galvanised	-	■	120,45
601205	1 pc	30	yes	900	924	800	824	grey	yellow	A	galvanised	-	■	120,45
601215	1 pc	30	no	900	924	800	824	black	black	A	-	-	■	118,36
601225	1 pc	30	no	900	924	800	824	black	yellow	A	-	-	■	118,36
601235	1 pc	30	no	900	924	800	824	grey	yellow	A	-	-	■	118,36
601245	1 pc	30	yes	900	924	800	824	black	black	M	stainless steel	-	■	172,32
601255	1 pc	30	yes	900	924	800	824	black	yellow	M	stainless steel	-	■	172,32
601265	1 pc	30	yes	900	924	800	824	grey	yellow	M	stainless steel	-	■	172,32
601275	1 pc	30	no	900	924	800	824	black	black	M	-	-	■	170,24
601285	1 pc	30	no	900	924	800	824	black	yellow	M	-	-	■	170,24
601295	1 pc	30	no	900	924	800	824	grey	yellow	M	-	-	■	170,24

*Products not in stock minimum order: 1 piece, delivery in 20 days.

2639 → Double-angle Ø28-Ø30 tube kit

Material reinforced polyamide couplings, polypropylene end caps, anodised aluminium or AISI 304 stainless steel tube.

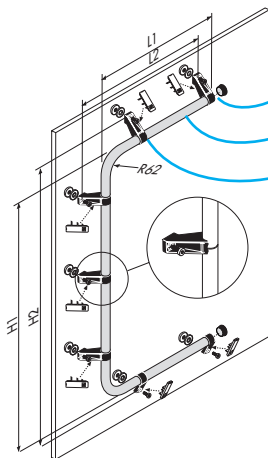
State of supply 7 handle couplings, 2 end caps, 2 tubes cut and bent to size.

Combinations



Pg.126

Pg.127



D=Ø28 Part.4194

D=Ø30 Part.1902

Part.2687

D=Ø28 Part.4195

D=Ø30 Part.1931



↓ 2639

Double-angle Ø28-Ø30 tube kit**Color map**

black RAL9005; grey RAL7016; yellow RAL1021

QUANTITY DISCOUNT

Qty Discounts	1+	2+	4+	8+
	-	-10%	-17%	on request

Order code	Pack	D Ø	Screws	H1 mm	H2 mm	L1 mm	L2 mm	Coupling colour	Cap colour	Material Tube	Finish Screws	Weight g	Stock	€ piece
636118	1 pc	28	yes	1800	1867	800	818,5	black	black	A	galvanised	-	✓	186,52
675698	1 pc	28	yes	1800	1867	800	818,5	black	yellow	A	galvanised	-	✓	186,52
675708	1 pc	28	yes	1800	1867	800	818,5	grey	yellow	A	galvanised	-	✓	186,52
636148	1 pc	28	no	1800	1867	800	818,5	black	black	A	-	-	✓	185,85
675718	1 pc	28	no	1800	1867	800	818,5	black	yellow	A	-	-	✓	185,85
675728	1 pc	28	no	1800	1867	800	818,5	grey	yellow	A	-	-	✓	185,85
636178	1 pc	28	yes	1800	1867	800	818,5	black	black	M	stainless steel	-	■	295,91
675738	1 pc	28	yes	1800	1867	800	818,5	black	yellow	M	stainless steel	-	■	295,91
675748	1 pc	28	yes	1800	1867	800	818,5	grey	yellow	M	stainless steel	-	■	295,91
636208	1 pc	28	no	1800	1867	800	818,5	black	black	M	-	-	■	291,05
675758	1 pc	28	no	1800	1867	800	818,5	black	yellow	M	-	-	■	291,05
675768	1 pc	28	no	1800	1867	800	818,5	grey	yellow	M	-	-	■	291,05
601305	1 pc	30	yes	1770	1848	800	824	black	black	A	galvanised	-	■	244,98
601315	1 pc	30	yes	1770	1848	800	824	black	yellow	A	galvanised	-	■	244,98
601325	1 pc	30	yes	1770	1848	800	824	grey	yellow	A	galvanised	-	■	244,98
601335	1 pc	30	no	1770	1848	800	824	black	black	A	-	-	■	240,71
601345	1 pc	30	no	1770	1848	800	824	black	yellow	A	-	-	■	240,71
601355	1 pc	30	no	1770	1848	800	824	grey	yellow	A	-	-	■	240,71
601365	1 pc	30	yes	1770	1848	800	824	black	black	M	stainless steel	-	■	304,51
601375	1 pc	30	yes	1770	1848	800	824	black	yellow	M	stainless steel	-	■	304,51
601385	1 pc	30	yes	1770	1848	800	824	grey	yellow	M	stainless steel	-	■	304,51
601395	1 pc	30	no	1770	1848	800	824	black	black	M	-	-	■	300,57
601405	1 pc	30	no	1770	1848	800	824	black	yellow	M	-	-	■	300,57
601415	1 pc	30	no	1770	1848	800	824	grey	yellow	M	-	-	■	300,57

■ Products not in stock minimum order: 1 piece, delivery in 20 days.

2035 → **Ø28-30 tube kit** 540 mm long



Use: to open doors (recommended) and drive carriages.

Material: couplings in reinforced polyamide, polypropylene end caps, tube in anodised aluminium or AISI 304 stainless steel (see table), spring washer (only for $D = \text{Ø}28$) in stainless steel AISI 304, M8x20 DIN 7984 screws and M8 square nut (see table).

State of supply: 2 handle couplings, 2 end caps; 1 tube cut to size, 2 tear-off rivets, 2 DIN 7984 M8x20 socket head screws and 2 M8 square nuts (if provided, see table).

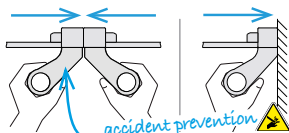
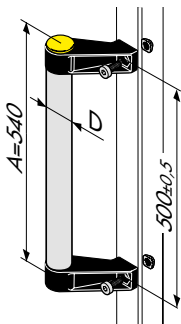
The components are supplied disassembled.

☑ Lateral resistance, tensile strength and thrust resistance values:

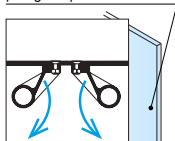
Ø28 Pg.118

Ø30 Pg.122

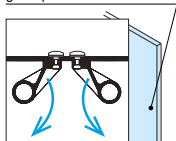
Combinations



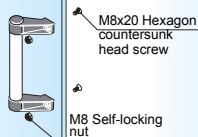
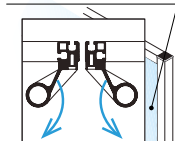
Door without frame
plexiglass panel



Door without frame
glass panel



Door with frame



Button with gasket
Part. 2653

M8x20 Screw

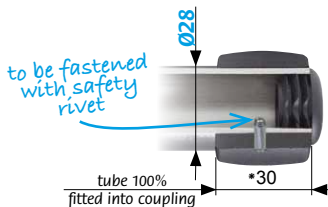
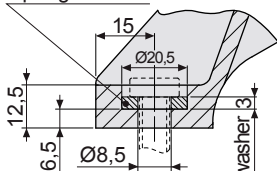
Part.8032

↓ 2035 Ø28-30 tube kit

540 mm long

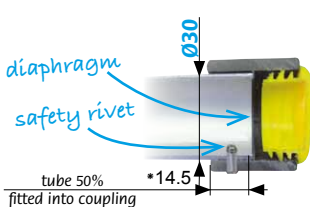
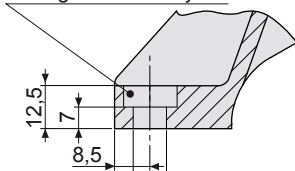
Handle characteristics with tube Ø28

Spring washer



Handle characteristics with tube Ø30

Hexagonal seat key 13



QUANTITY DISCOUNT

Q.ty Discounts	1+	2+	4+	8+
	-	-10%	-17%	on request

Order code	Pack	D	Screws	Coupling colour	Cap colour	Tube material	Screws finish	Weight g	Stock	€ piece
636658	1 pc	28	yes	black RAL9005	black RAL9005	anodised alu. 15 µm	galvanised	368	■	27,67
675638	1 pc	28	yes	black RAL9005	yellow RAL1021	anodised alu. 15 µm	galvanised	368	■	27,67
675648	1 pc	28	yes	grey RAL7016	yellow RAL1021	anodised alu. 15 µm	galvanised	368	■	27,67
636678	1 pc	28	no	black RAL9005	black RAL9005	anodised alu. 15 µm	-	340	■	26,61
675658	1 pc	28	no	black RAL9005	yellow RAL1021	anodised alu. 15 µm	-	340	■	26,61
675668	1 pc	28	no	grey RAL7016	yellow RAL1021	anodised alu. 15 µm	-	340	■	26,61
664888	1 pc	28	no	black RAL9005	black RAL9005	microball-blasted st. steel	-	830	■	41,82
675678	1 pc	28	no	black RAL9005	yellow RAL1021	microball-blasted st. steel	-	830	■	41,82
675688	1 pc	28	no	grey RAL7016	yellow RAL1021	microball-blasted st. steel	-	830	■	41,82
677023	1 pc	30	yes	black RAL9005	black RAL9005	anodised alu. 15 µm	galvanised	358	■	27,67
601075	1 pc	30	yes	black RAL9005	yellow RAL1021	anodised alu. 15 µm	galvanised	358	■	27,67
601085	1 pc	30	yes	grey RAL7016	yellow RAL1021	anodised alu. 15 µm	galvanised	358	■	27,67
601095	1 pc	30	no	black RAL9005	black RAL9005	anodised alu. 15 µm	-	330	■	26,61
601105	1 pc	30	no	black RAL9005	yellow RAL1021	anodised alu. 15 µm	-	330	■	26,61
601115	1 pc	30	no	grey RAL7016	yellow RAL1021	anodised alu. 15 µm	-	330	■	26,61

Personalizations on request, assembled handles can be supplied (add AS to the order code: example 636658AS).

Kits can be made up with a length as requested by the customer (max 600 mm).

•Products not in stock minimum order: 1 piece, delivery in 5 days.

2637 → **Ø28-30 tube kit** 840 mm long



Use: to open doors (recommended) and drive carriages.

Material couplings in reinforced polyamide, polypropylene end caps, tube in anodized aluminium or AISI 304 stainless steel (see table), spring washer (only for D= Ø28) in stainless steel AISI 304, M8x20 DIN 7984 screws and M8 square nut (see table).

State of supply 2 handle couplings; 2 end caps; 1 tube cut to size, 3 tear-off rivets, 3 DIN 7984 M8x20 socket head screws and 3 M8 square nuts (if provided, see table).

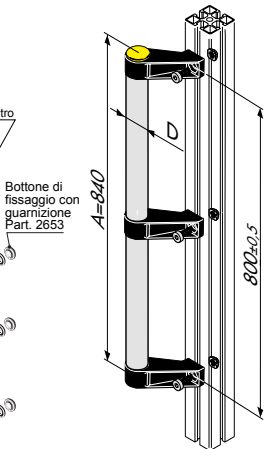
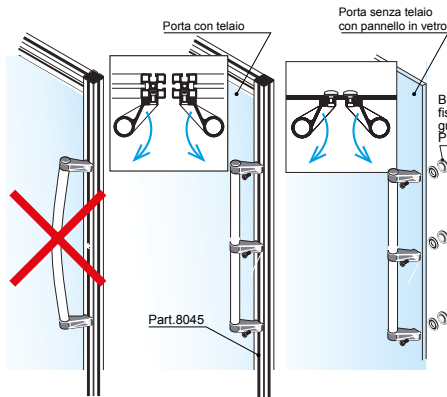
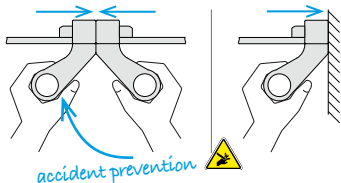
The components are supplied disassembled.

☑ Lateral resistance, tensile strength and thrust resistance values:

Ø28 Pg.118

Ø30 Pg.122

Combinations

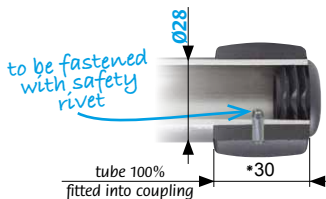
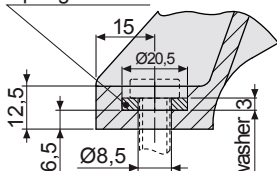


↓ 2637 Ø28-30 tube kit

840 mm long

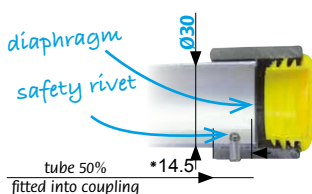
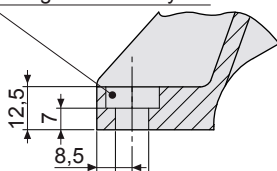
Handle characteristics with tube Ø28

Spring washer



Handle characteristics with tube Ø30

Hexagonal seat key 13



QUANTITY DISCOUNT

Q.ty Discounts	1+	2+	4+	8+
		-10%	-17%	on request

Order code	Pack	D Ø	Screws	Coupling colour	Cap colour	anodised alu. 1.5 µm	Screws finishing	Weight g	Stock	€ piece
636708	1 pc	28	yes	black RAL9005	black RAL9005	anodised alu. 1.5 µm	galvanised	552	■	35,97
665828	1 pc	28	yes	black RAL9005	yellow RAL1021	anodised alu. 1.5 µm	galvanised	552	■	35,97
665838	1 pc	28	yes	grey RAL7016	yellow RAL1021	anodised alu. 1.5 µm	galvanised	552	■	35,97
636728	1 pc	28	no	black RAL9005	black RAL9005	anodised alu. 1.5 µm	-	510	■	35,18
665848	1 pc	28	no	black RAL9005	yellow RAL1021	anodised alu. 1.5 µm	-	510	■	35,18
665858	1 pc	28	no	grey RAL7016	yellow RAL1021	anodised alu. 1.5 µm	-	510	■	35,18
664908	1 pc	28	no	black RAL9005	black RAL9005	Microball-blasted st. steel	-	1280	■	57,19
665918	1 pc	28	no	black RAL9005	yellow RAL1021	Microball-blasted st. steel	-	1280	■	57,19
665928	1 pc	28	no	grey RAL7016	yellow RAL1021	Microball-blasted st. steel	-	1280	■	57,19
601125	1 pc	30	yes	black RAL9005	black RAL9005	anodised alu. 1.5 µm	galvanised	542	■	35,97
601135	1 pc	30	yes	black RAL9005	yellow RAL1021	anodised alu. 1.5 µm	galvanised	542	■	35,97
601145	1 pc	30	yes	grey RAL7016	yellow RAL1021	anodised alu. 1.5 µm	galvanised	542	■	35,97
601155	1 pc	30	no	black RAL9005	black RAL9005	anodised alu. 1.5 µm	-	500	■	35,18
601165	1 pc	30	no	black RAL9005	yellow RAL1021	anodised alu. 1.5 µm	-	500	■	35,18
601175	1 pc	30	no	grey RAL7016	yellow RAL1021	anodised alu. 1.5 µm	-	500	■	35,18

Personalizations on request, assembled handles can be supplied (add AS to the order code: example 636708AS).

Kits can be made up with a length as requested by the customer (max 1200 mm).

Products not in stock minimum order: 1 piece, delivery in 5 days.

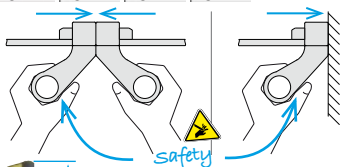
4194 → Ø28 head safety coupling

Use: as head or intermediate coupling for modular handles applicable on sliding doors or trolleys.

Material: reinforced polyamide, tube end cap in polyethylene, spring washer for M8 screw in stainless steel AISI 304.

State of supply: 1 handle coupling, 1 tube end cap, 1 spring washer.

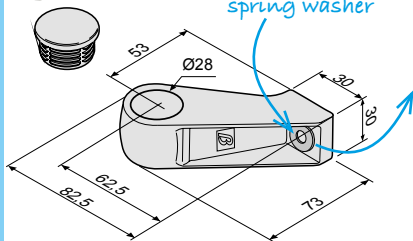
Combinations



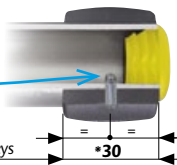
safety



spring washer

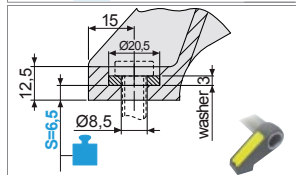
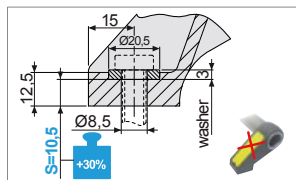


to be secured with safety retaining rivet

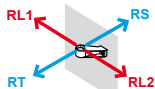
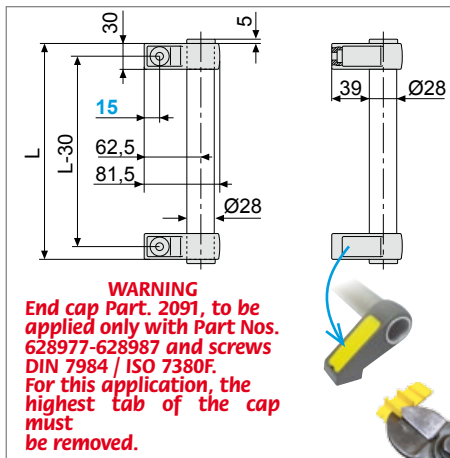


recommended for applications on trolleys

100% of the tube inserted in the coupling



↓ 4194 Ø28 head safety coupling



RL = lateral resistance
RT = traction resistance
RS = thrust resistance

Pg. 88 coupling Ø30

QUANTITY DISCOUNT

Qty Discounts	1+	10+	20+	40+
	-	-10%	-17%	on request

Order code	Pack	D Ø	S	Screws	RT N	RS N	RL1 N	RL2 N	Coupling colour	Cap colour	Weight g	Stock	€ piece
690877	20 pcs	28	10,5	no	2600	2030	2030	2195	black RAL9005	black RAL9005	64	✓	7,94
675598	20 pcs	28	10,5	no	2600	2030	2030	2030	black RAL9005	yellow RAL1021	64	✓	8,18
696178	20 pcs	28	10,5	no	2600	2030	2030	2030	black RAL9005	blue RAL5015	64	✓	8,18
675608	20 pcs	28	10,5	no	2600	2030	2030	2195	grey RAL7016	yellow RAL1021	64	✓	8,18
696188	20 pcs	28	10,5	no	2600	2030	2030	2195	grey RAL7016	blue RAL5015	64	✓	8,18
628977	20 pcs	28	6,5	no	2100	2030	2030	2030	black RAL9005	black RAL9005	64	✓	7,94
675618	20 pcs	28	6,5	no	2100	2030	2030	2030	black RAL9005	yellow RAL1021	64	✓	8,18
696198	20 pcs	28	6,5	no	2100	2030	2030	2030	black RAL9005	blue RAL5015	64	✓	8,18
675628	20 pcs	28	6,5	no	2100	2030	2030	2030	grey RAL7016	yellow RAL1021	64	✓	8,18
696208	20 pcs	28	6,5	no	2100	2030	2030	2030	grey RAL7016	blue RAL5015	64	✓	8,18

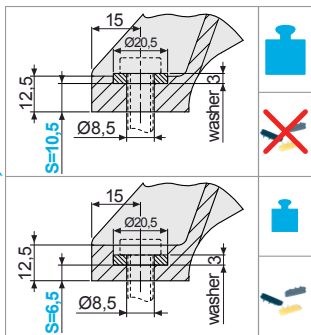
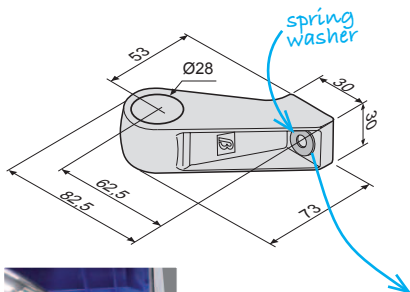
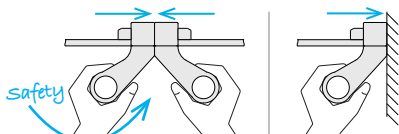
4195 → Ø28 head safety coupling intermediate

Use: as intermediate coupling for modular handles (longer than 600 mm) applicable on sliding doors or trolleys.

Material: reinforced polyamide, spring washer for M8 screw in stainless steel AISI 304.

State of supply: 1 handle coupling, 1 spring washer.

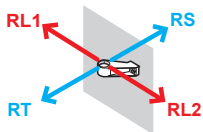
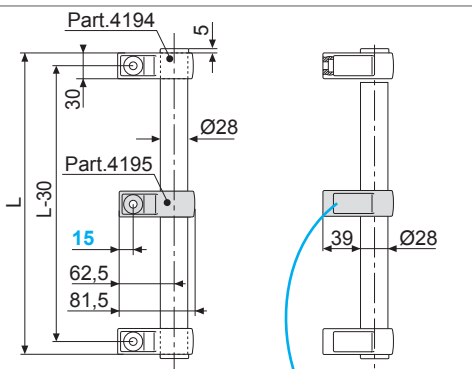
Combinations:



↓ 4195

Ø28 head safety coupling intermediate

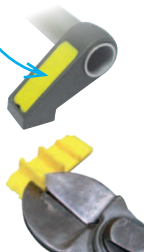
Application example



RL = lateral resistance
RT = traction resistance
RS = thrust resistance

WARNING

End cap Part. 2091, to be applied only with Part Nos. 629037-629047 and screws DIN 7984 / ISO 7380F. For this application, the highest tab of the cap must be removed.



QUANTITY DISCOUNT

Q.ty Discounts	1+	10+	20+	40+
	-	-10%	-17%	on request

Order code	Pack.	D Ø	S	Nuts and bolts	RT N	RS N	RL1 N	RL2 N	Colour coupling	Weight g	Stock	€ piece
690757	20 pcs	28	10,5	no	2600	2030	2030	2195	black RAL9005	20	✓	6,80
690747	20 pcs	28	10,5	no	2600	2030	2030	2195	grey RAL7016	20	✓	6,80
629037	20 pcs	28	6,5	no	2100	2030	2030	2030	black RAL9005	20	✓	6,80
629047	20 pcs	28	6,5	no	2100	2030	2030	2030	grey RAL7016	20	✓	6,80

1902 → Ø30 head safety coupling

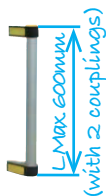
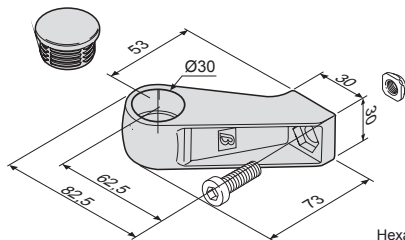
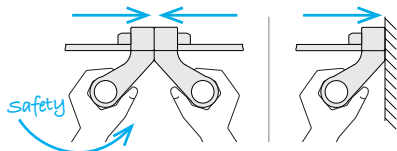
Use: in combination with tube Part 8030, it can be used to construct modular handles applicable on shutters or sliding doors.

Usable as a pair only.

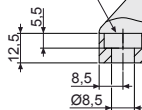
Material: reinforced polyamide coupling, polypropylene end cap, steel screws (if provided).

State of supply: n. 1 handle coupling, 1 end cap, 1 M8x20 DIN 7984 screw and 1 square nut (if provided, see table).

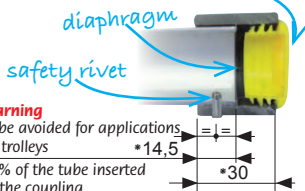
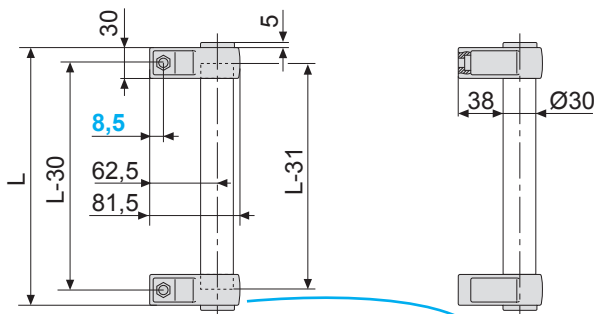
Combinations



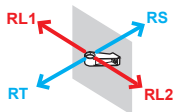
Hexagonal seat
Key 13



↓ 1902 Ø30 head safety coupling



Warning
to be avoided for applications
on trolleys
*14,5
50% of the tube inserted
in the coupling
*30



RL = lateral resistance
RT = traction resistance
RS = thrust resistance



QUANTITY DISCOUNT

Q.ty Discounts	1+	10+	20+	40+
	-	-10%	-17%	on request

Order Code	Pack	D Ø	Nuts and bolt	RT N	RS N	RL1 N	RL2 N	Colour coupling	Colour cap	Weight g	Stock	€ piece
650553	20 pcs	30	no	1900	2030	1565	1160	black RAL9005	black RAL9005	64	■	7,94
650533	20 pcs	30	no	1900	2030	1565	1160	black RAL9005	yellow RAL1021	64	■	7,94
650543	20 pcs	30	no	1900	2030	1565	1160	grey RAL7016	yellow RAL1021	64	■	7,94
650523	20 pcs	30	yes	1900	2030	1565	1160	black RAL9005	black RAL9005	87	■	8,47
628003	20 pcs	30	yes	1900	2030	1565	1160	black RAL9005	yellow RAL1021	87	■	8,47
628013	20 pcs	30	yes	1900	2030	1565	1160	grey RAL7016	yellow RAL1021	87	■	8,47

*Products not in stock minimum order 20 pieces, delivery in 15 days.

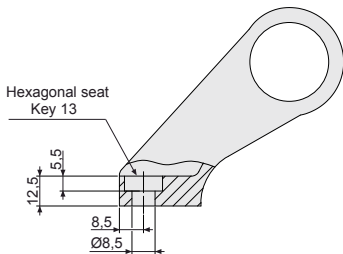
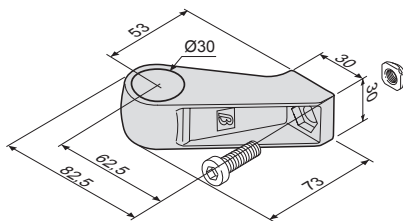
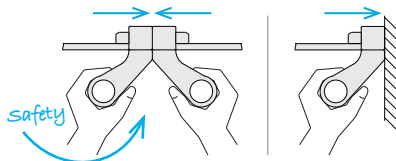
1931 → Ø30 intermediate safety coupling

Use: as intermediate coupling for modular handles (with a length not exceeding 600 mm) applicable on sliding doors or carriages.

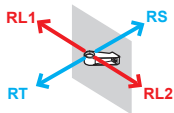
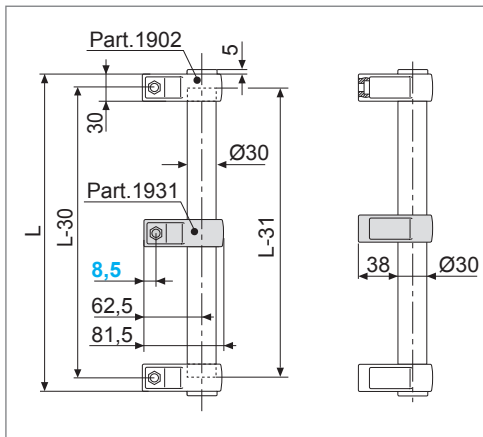
Material: reinforced polyamide, steel screws (if provided).

State of supply: 1 handle coupling, 1 M8x20 DIN 7984 screw and 1 square nut (if provided, see table).

Combinations



Application example



RL = lateral resistance
 RT = traction resistance
 RS = thrust resistance


QUANTITY DISCOUNT

Q.ty	1+	10+	20+	40+
Discounts	-	-10%	-17%	on request

Order code	Pack	D Ø	Nuts and bolts	RT N	RS N	RL1 N	RL2 N	Colour Coupling	Finish Screws	Weight g	Stock	€ piece
627993	20 pcs	30	no	1900	2030	1565	1160	blackRAL9005	-	20	■	6,80
627983	20 pcs	30	no	1900	2030	1565	1160	grey RAL7016	-	20	■	6,80
650563	20 pcs	30	yes	1900	2030	1565	1160	blackRAL9005	galvanised	46	■	7,33
650573	20 pcs	30	yes	1900	2030	1565	1160	grey RAL7016	galvanised	46	■	7,33

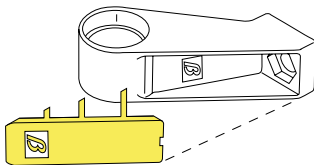
Products not in stock minimum order 20 pieces, delivery in 15 days.

2091 End cap

Use: to improve the aesthetics and protect against dust infiltrations.

Characteristics: snap-fitting (available in various colours and customisable logo).

Combinations 



QUANTITY DISCOUNT

Q.ty Discounts	1+	10+	20+	40+
	-	-10%	-17%	contact us

Order code	Pack	Colour	Weight g	Stock	€ piece
688853	20 pcs	yellow RAL1021	8	✓	1,77
688863	20 pcs	grey RAL7016	8	✓	1,77
688873	20 pcs	black RAL9005	8	✓	1,77
696218	20 pcs	blue RAL5015	8	✓	1,77

On request and subject to minimum order quantities, we can manufacture caps in the RAL colour requested by the customer.

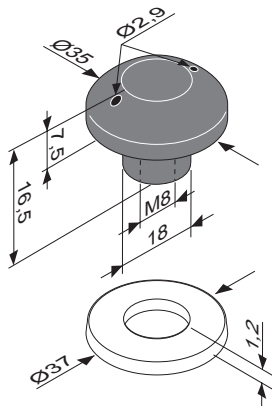
2653

Threaded button

Use: handle couplings secured directly on the buffer.

Material polyamide button reinforced with brass insert, PVC seal.

Combinations



QUANTITY DISCOUNT

Q.ty	2+	8+
Discounts	-10%	on request

Order code	Pack	Colour	Weight g	Stock	€ piece
600445	1 pc	grey RAL7016	17	■	4,25

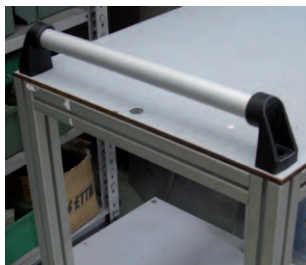
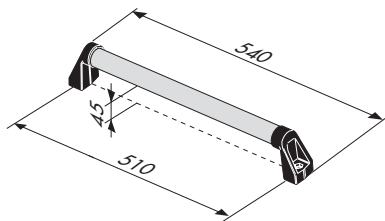
*Products not in stock minimum order: 1 piece, delivery in 15 days.

4116 **Reinforced** Ø30 tube kit, 540 mm long

Use: to drive trolleys (recommended) or to open doors.

Material reinforced polyamide fittings, polypropylene end caps, anodised aluminium tube, galvanised steel screws (if provided).

State of supply 2 handle couplings; 1 tube cut to size, 2 M8x20 socket head screws and 2 M8 square nuts (if provided, see table).



QUANTITY DISCOUNT

Q.ty	1+	2+	4+	8+
Discounts	-	-10%	-17%	on request

Order code	Pack	Nuts and bolts	Colour Coupling	Finish Tube	Weight g	Stock	€ piece
673057	1 pc	no	black RAL9005	anodised	368	■	23,31
673067	1 pc	yes	black RAL9005	anodised	370	■	24,35

•Products not in stock minimum order: 1 piece, delivery in 5 days.

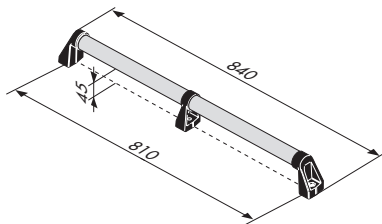
4117

Reinforced Ø30 tube kit, 840 mm long

Use: to drive trolleys (recommended) or to open doors.

Material reinforced polyamide fittings, polypropylene end caps, anodised aluminium tube, galvanised steel screws (if provided).

State of supply 3 head couplings for handle; 1 intermediate coupling for handle; 1 tube cut to size; 3 M8x20 screws and 3 square nuts (if provided, see table).



QUANTITY DISCOUNT

Q.ty	1+	2+	4+	8+
Discounts	-	-10%	-17%	on request

Order code	Pack	Nuts and bolts	Colour Coupling	Finish Tube	Weight g	Stock	€ piece
673077	1 pc	no	black RAL9005	anodised	561	■	38,67
673087	1 pc	yes	black RAL9005	anodised	607	■	39,61

■ Products not in stock minimum order 1 piece, delivery in 5 days.

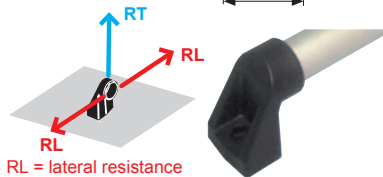
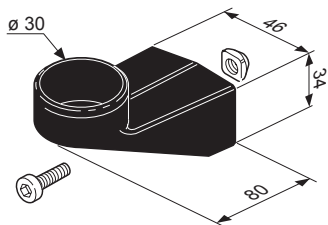
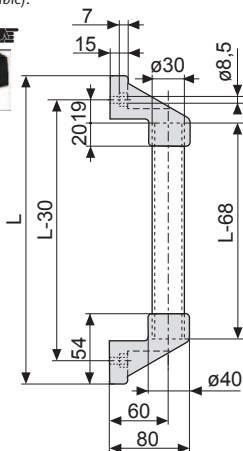
1399 Reinforced **head** coupling Ø30

Use: in combination with Part 8030, it can be used to construct modular handles applicable on shutters or sliding doors. **Usable as a pair only.**

Material: reinforced polyamide coupling, galvanised steel screws (if provided).

State of supply: n. 1 coupling, 1 M8x20 screw and 1 square nut (if provided, see table).

Combinations



RL = lateral resistance

RT = traction resistance

QUANTITY DISCOUNT

Q.ty Discounts	1+	10+	20+	40+
	-	-10%	-17%	on request

Order code	Pack	Nuts and bolts	RT N	RL N	Colour Coupling	Finish Screws	Weight g	Stock	€ piece
612302	20 pcs	no	2450	1215	black RAL9005	-	60	✓	13,60
612292	20 pcs	yes	2450	1215	black RAL9005	galvanised	75	✓	14,16

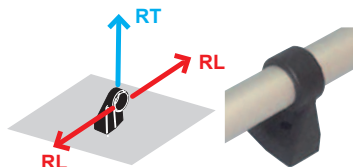
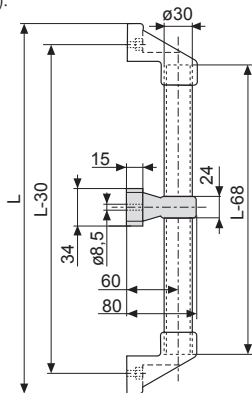
1400 Reinforced intermediate coupling Ø30

Use: as intermediate coupling for modular handles (recommended for lengths exceeding 70 cm) applicable on sliding doors or carriages.

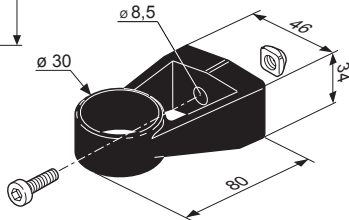
Material reinforced polyamide coupling, galvanised steel screws (if provided).

State of supply n.1 coupling, 1 M8x25 screw and 1 square nut (if provided, see table).

Combinations



RL = lateral resistance
RT = traction resistance



QUANTITY DISCOUNT

Q.ty	1+	10+	20+	40+
Discounts	-	-10%	-17%	on request

Order code	Pack	Nuts and bolts	RT N	RL N	Colour Coupling	Finish Screws	Weight g	Stock	€ piece
612322	10 pcs	no	2450	1215	black RAL9005	-	52	✓	13,60
612312	20 pcs	yes	2450	1215	black RAL9005	galvanised	70	✓	14,30

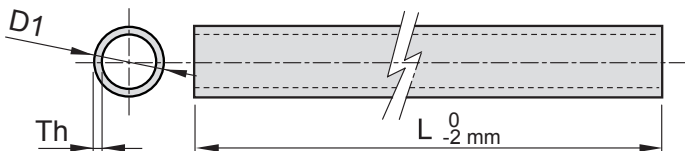
2012 → Steel connection tube

stainless steel

Use: to construct tubular handles.

Material TIG welded tube in AISI 304 stainless steel - EN 10217/7 - DIN 11850.

Combinations



2012

Steel connection tube

stainless steel

QUANTITY DISCOUNT	Bar 2/3 m	1+	6+	12	24+
	Bar 6 m	1+	2+	4+	10+
	Discounts	-			on request

Order code	Pack bar/m	D1 Ø	Thickness mm	Length m	Finish	Weight kg/m	Stock	€ bar
672627	3x2 m	20±0,1	1,5	2	polished	0,695	■	22,42
672637	2x3 m	20±0,1	1,5	3	polished	0,695	■	33,36
672647	1x6 m	20±0,1	1,5	6	polished	0,695	■	56,16
641337	3x2 m	20±0,1	1,5	2	brushed	0,695	■	17,76
642397	2x3 m	20±0,1	1,5	3	brushed	0,695	■	26,34
642407	1x6 m	20±0,1	1,5	6	brushed	0,695	■	42,12
690967	3x2 m	28±0,2	2	2	brushed	1,285	■	29,00
690977	2x3 m	28±0,2	2	3	brushed	1,285	■	42,99
690987	1x6 m	28±0,2	2	6	brushed	1,285	■	75,12
672657	3x2 m	30±0,2	1,2	2	polished	0,865	■	27,72
672667	2x3 m	30±0,2	1,2	3	polished	0,865	■	40,83
641347	3x2 m	30±0,2	1,2	2	brushed	0,865	✓	20,68
642417	2x3 m	30±0,2	1,2	3	brushed	0,865	✓	33,51
639481	1x6 m	30±0,2	1,2	6	brushed	0,865	✓	51,78
630778	3x2 m	30±0,2	1,5	2	polished	1,081	■	29,28
630788	2x3 m	30±0,2	1,5	3	polished	1,081	■	43,38
630798	1x6 m	30±0,2	1,5	6	polished	1,081	■	80,64

Personalizations diameter D1 on request; the tubes can be supplied cut to size and bevelled (€ 3 per cut) and delivered in kits.

■ **Products not in stock** minimum order 6 metres, delivery in 10 days.

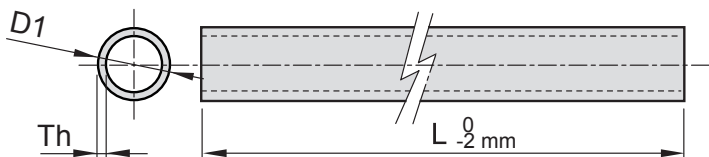
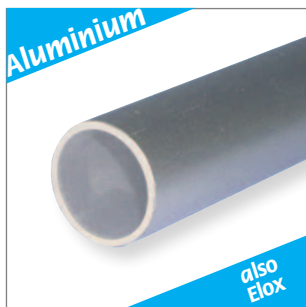
8030 Connection tube in aluminium

Use: to construct custom-made tubular handles.

Material: aluminium.

Characteristics: elox: steel-like anodizing.

Combinations:



QUANTITY DISCOUNT

Bar 3 m	1+	6+	10+	20+
Bar 6 m	1+	3+	5+	10+
Discounts	-	-10%	-17%	on request

Order code	Pack bar/m	D1 Ø	Thickness mm	Length m	Finish	Weight kg/m	Stock	€ bar
625687	5x6 m	28±0,2	2	6	anodised 15 µm	0,44	✓	47,40
684521	5 x 3 m	30±0,2	2	3	anodised 15 µm	0,47	✓	16,71
67793	5 x 6 m	30±0,2	2	6	anodised 15 µm	0,47	✓	33,42
644037	5 x 3 m	30±0,2	2	3	elox 15 µm	0,47	✓	16,71
652234	5 x 6 m	30±0,2	2	6	elox 15 µm	0,47	✓	33,42

Personalizations: diameter D1 on request; the tubes can be supplied cut to size and bevelled (€ 3 per cut) and delivered in kits.

8028

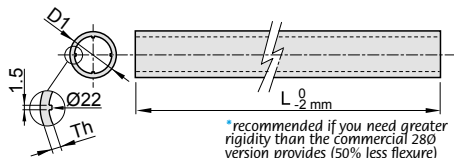
28Ø connection tube with internal stiffening beads

Use: to construct custom-made tubular handles.

Material: aluminium.

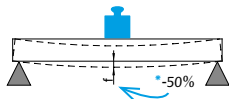
Characteristics: elox, steel-like anodizing.

Combinations: 



*recommended if you need greater rigidity than the commercial 28Ø version provides (50% less flexure)

On request, and subject to minimum quantities, the tubes may be delivered cut to size, according to the customer's request.



QUANTITY DISCOUNT

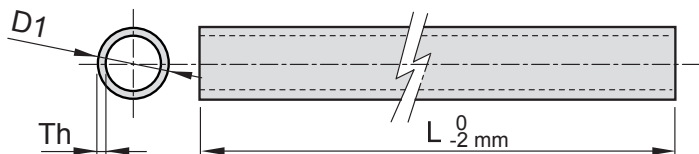
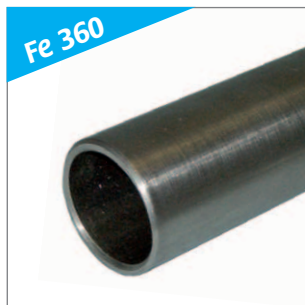
Bar 3 m	1+	6+	10+	20+
Bar 6 m	1+	3+	5+	10+
Discounts	-	-10%	-17%	contact us

Order code	Pack bar/m	Diameter	Thickness mm	Length m	Finish	Weight kg/m	Stock	€ bar
608779	5 x 6 m	28±0,2	2	6	anodised 15 µm	0,46	✓	34,44
614719	5 x 6 m	28±0,2	2	6	elox 15 µm	0,46	✓	34,44

4120

Iron tube
Use: to construct custom-made tubular handles.

Material welded tube in Fe 360 - EN 10219.

Combinations

QUANTITY DISCOUNT

Bars	1+	2+	5+	10+
Discounts	-	-10%	-17%	on request

Order code	Pack bar/m	D1 Ø	Thickness mm	Length m	Finish	Weight kg/m	Stock	€ bar
620807	5 x 6 m	28±0,2	2	6	galvanised	1,27	■	35,28

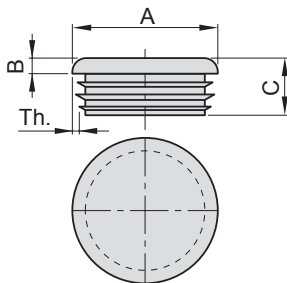
Personalizations diameter D1 on request; the tubes can be supplied cut to size and bevelled (€ 3 per cut) and delivered in kits.

ILT End cap

Use: for tube ends closing.

Material polyethylene.

Standard pack: 200 pcs.



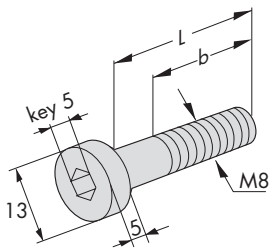
QUANTITY DISCOUNT

Q.ty	1+	6+	12+	24+
Discounts	-	-10%	-17%	on request

Order code	A Ø	Thickness mm	B mm	C mm	Finish	Weight g	Stack	€ piece
01ILT28A	28	0,8-3	5	16,5	black RAL9005	2,94	✓	0,29
01ILT30A	30	1,0-3	5	16,5	black RAL9005	3,44	✓	0,29

Material class 8.8 steel.

Characteristics: DIN 7984, 5mm wrench.


QUANTITY DISCOUNT

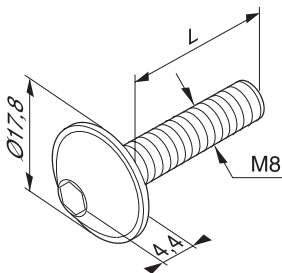
Q. ty Discounts	1+	50+	100+	200+
	-	-10%	-17%	on request

Order code	Pack	L mm	b mm	Finish	Weight g	Stock	€ piece
650881	100 pcs	16	16	galvanised	9	✓	0,20
650791	100 pcs	20	20	galvanised	10	✓	0,20
641311	100 pcs	25	25	galvanised	11,5	✓	0,27
64404	100 pcs	30	30	galvanised	13,5	✓	0,36
672417	100 pcs	35	22	galvanised	18	✓	0,40
65923	100 pcs	43	22	galvanised	21	✓	0,45
657821	100 pcs	50	22	galvanised	25	✓	0,46
650901	100 pcs	60	22	galvanised	15	✓	0,52
628917	100 pcs	16	16	stainless steel	9	✓	0,41
628927	100 pcs	20	20	stainless steel	10	✓	0,41
628937	100 pcs	25	22	stainless steel	12	✓	0,53

3709 **M8** screw (wide head)

Material class A2 AISI 304 stainless steel.

Characteristics: ISO 7380F, socket head, 5mm wrench.



QUANTITY DISCOUNT

Q.ty Discounts	1+	50+	100+	200+
	-	-10%	-17%	on request

Order code	Pack	L mm	Weight g	Stock	€ piece
642897	100 pcs	25	11,5	✓	0,60
642577	100 pcs	45	18,5	✓	0,85

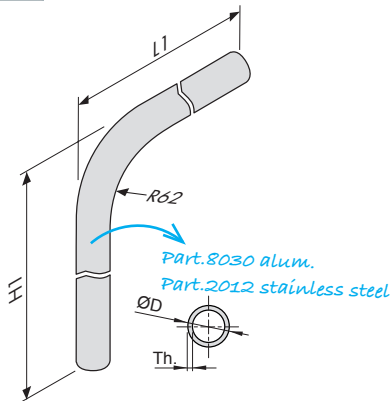


2687 Hot-rolled tube bent to L-shape

Material aluminium or AISI 304 stainless steel.

Characteristics: Ø28/30 round tube bent to L-shape.

Combinations



QUANTITY DISCOUNT

Q.ty Discounts	1+	2+	4+	8+
	-	-10%	-17%	on request

Order code	Pack	D Ø	Th. mm	H mm	L mm	Finish	Weight g	Stock	€ piece
643387	1 pc	28	2	900	800	anodised aluminium 15 µm	745	✓	64,96
673017	1 pc	28	15,5	900	800	polished stainless steel	1660	▪	121,21
636608	1 pc	28	2	900	800	microball-blasted stainless steel	2177	▪	121,21
601425	1 pc	30	2	884,5	784,5	anodised aluminium 15 µm	796	▪	81,94
601435	1 pc	30	2	884,5	784,5	microball-blasted stainless steel	1465	▪	133,81

Customisations Tubes with H1- L1- fitting on request of the customer (max 1800mm).

▪ **Products not in stock** minimum order 1 piece, delivery in 15 days.

2688

Hot-rolled tube bent to C-shape

Material aluminium or AISI 304 stainless steel.

Characteristics: Ø28/30 round tube bent to C-shape.

Combinations


Pg.122



Pg.124



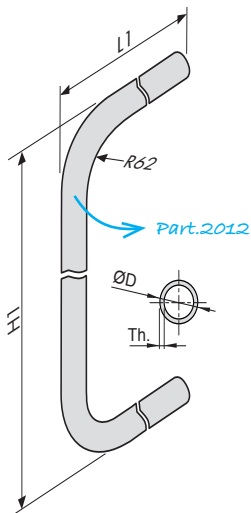
Pg.131



Pg.130



Pg.145


QUANTITY DISCOUNT

Q.ty	1+	2+	4+	8+
Discounts	-	-10%	-17%	on request

Order code	Pack	D Ø	Th. mm	H mm	L mm	Finish	Weight g	Stock	€ piece
673247	1 pc	28	1,5	335	732	polished stainless steel	1590	▪	206,97
673047	1 pc	28	1,5	1574	732	polished stainless steel	2963	✓	217,92
601455	1 pc	30	2	1574	732	microball-blasted stainless steel	1995	▪	226,53

Customisations Tubes with H1- L1- fitting on request of the customer (max 1800mm).

Products not in stock minimum order 1 piece, delivery in 15 days.

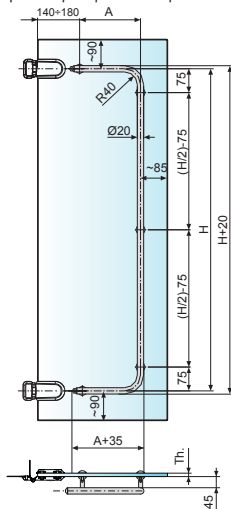
2950 Tubular handle Pharma

Use: applicable on self-supporting doors (without external frame) made of glass or polycarbonate panels. Particularly suitable for the pharmaceutical sector. **Not suitable for glass doors.**

Material AISI 304 stainless steel.

State of supply complete with 5 welded pins and 5 fastening buttons, part 2948.

Warning: the temperature change caused by pin welding may lead to a slight deformation which may affect the plastic sheet (the problem does not occur with glass panes). This type of imperfection is not to be considered a material defect but rather a consequence of the production process.



QUANTITY DISCOUNT

Q.ty Discounts	1+	2+	4+	8+
	-	-10%	-17%	on request

Order code	Pack	Thickness mm	A mm	H mm	Finish	Weight Kg	Stock	€ piece
689595	1 pc	12	207,5	1100	polished	1,50	■	456,52
689625	1 pc	12	282,5	1100	polished	1,60	■	457,80
689645	1 pc	12	325	1100	polished	1,66	■	458,52
689655	1 pc	12	380	1100	polished	1,74	■	459,45
616166	1 pc	12	415	1100	polished	1,78	■	460,08

On request, and subject to the quantities involved, we can manufacture made-to-measure handles for our customers.

■ Products not in stock minimum order 1 piece, delivery in 20 days.

4095

Tubular handle with integrated hinges **Pharma**

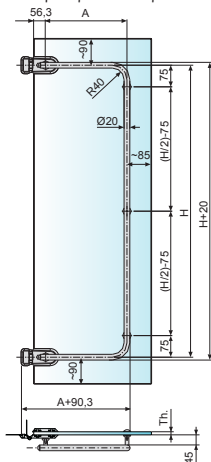
Use: applicable on self-supporting doors (without external frame) made of glass or polycarbonate panels. Particularly suitable for the pharmaceutical sector. **Not suitable for glass doors.**

Material: AISI 304 stainless steel.

Characteristics: the handle and the hinges are one single body that acts as frame, so that the panel thickness is uninfluential for purposes of door rigidity.

State of supply: complete with 2 integrated hinges, 3 welded pins and 5 fastening buttons, Part 2948.

Warning: the temperature change caused by pin welding may lead to slight deformations which may affect the plastic sheet (the problem does not occur with glass panes). This type of imperfection is not to be considered a material defect but rather a consequence of the production process.



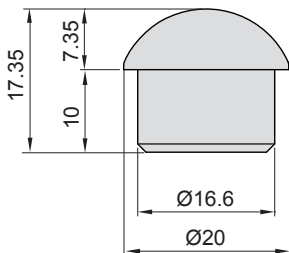
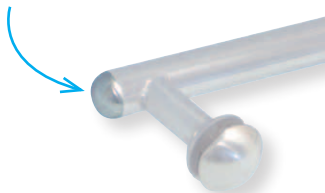
QUANTITY DISCOUNT

Q.ty Discounts	1+	2+	4+	8+
	-	-10%	-17%	on request

Order code	Pack	Thickness mm	A mm	H mm	Finish	Weight Kg	Stock	€ piece
621547	1 pc	12	351,4	1100	polished	2,38	■	668,36
621557	1 pc	12	401,4	1100	polished	2,45	■	669,02
621577	1 pc	12	443,9	1100	polished	2,51	■	669,74
621587	1 pc	12	498,9	1100	polished	2,59	■	670,70
621597	1 pc	12	553,9	1100	polished	2,67	■	672,20

On request, and subject to the quantities involved, we can manufacture made-to-measure handles for our customers.

■ Products not in stock minimum order 1 piece, delivery in 20 days.

4118 **Weldable** ball end piece**Pharma****Material** AISI 303 stainless steel.**Characteristics:** ball end cap for tube \varnothing 20 thickness 1.5.**Combinations** **QUANTITY DISCOUNT**

Qty Discounts	2+	4+	8+	16+
	-	-10%	-17%	on request

Order code	Pack	Finish	Weight g	Stock	€ piece
672707	1 pc	polished	10	✓	13,71

2949

Pin with **weldable** fastening button

Pharma

Use: weldable on Ø20-30 tubes to fit handles on polycarbonate doors suitable for applications in the pharmaceutical sector. **Not suitable for glass doors.**

Material: AISI 303 stainless steel.

State of supply: complete with fastening button and elastomer seal.

Combinations:



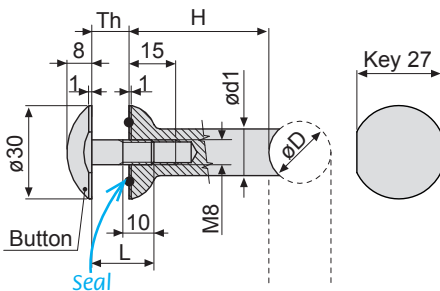
Pg.132



Ø30

Ø20

Pg.89



QUANTITY DISCOUNT

Q.ty	2+	4+	8+	16+
Discounts	-	-10%	-17%	on request

Order code	Pack	Ø D mm	Ø d1 mm	L mm	H mm	Thickness mm	Finish	Weight g	Stock	€ piece
673147	1 pc	20	15	18.5	45	10÷12	polished	30	✓	39,42
672687	1 pc	30	20	18.5	20	10÷12	microball-blasted	40	■	39,42
672697	1 pc	30	20	18.5	30	10÷12	microball-blasted	40	■	39,42

Products not in stock minimum order 1 piece, delivery in 15 days.

4238 Pin with weldable fastening button

Pharma

Use: Weldable on 200 tubes to fit handles on polycarbonate doors.

Not suitable for glass doors.

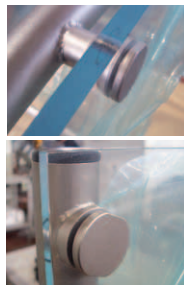
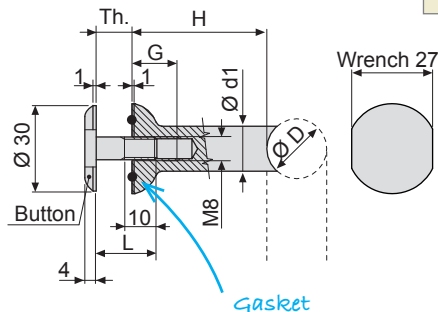
Material AISI 303 stainless steel.

State of supply complete with fastening button and elastomer seal.

Combinations



Pg.132



QUANTITY DISCOUNT

Qty	2+	4+	8+	16+
Discounts	-	-5%	-20%	on request

Order code	Pack	Ø D mm	Ø d1 mm	H mm	Th. mm	L mm	G mm	Finish	Weight g	Stock	€ piece
665988	4 pcs	30	-	5	3÷4	8	5	microball-blasted	52	■	53,93
666018	4 pcs	30	-	5	5÷6	14,5	5	microball-blasted	54	■	53,93
666058	4 pcs	30	-	5	10	18,5	5	microball-blasted	55	■	53,93
666008	4 pcs	60	-	5	3÷4	8	5	microball-blasted	51	■	53,93
666068	4 pcs	60	-	5	5÷6	14,5	5	microball-blasted	53	■	53,93
666048	4 pcs	60	-	5	10	18,5	5	microball-blasted	54	■	53,93
665998	4 pcs	30	20	20	3÷4	11	20	microball-blasted	84	■	53,93
666028	4 pcs	30	20	20	10	18,5	20	microball-blasted	86	■	53,93
666078	4 pcs	30	20	20	3÷4	11	15	microball-blasted	105	■	53,93
666038	4 pcs	30	20	20	10	18,5	15	microball-blasted	107	■	53,93

*Products not in stock minimum order 4 pieces, delivery in 20 days.

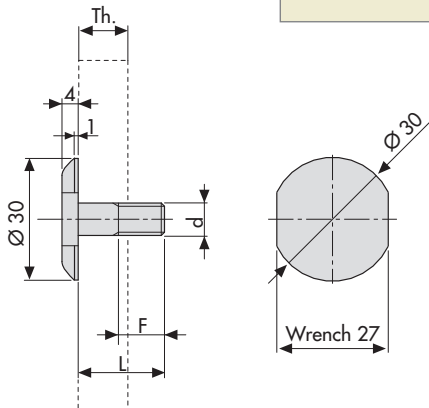
4237

Panel fastening button

Pharma

Use: for tightening processes in general, on polycarbonate panels.

Material AISI 303 stainless steel.


QUANTITY DISCOUNT

Qty Discounts	4+	8+	16+	32+
	-	-10%	-20%	on request

Order code	Pack	d	Th. mm	F mm	L mm	Finish	Weight g	Stock	€ piece
665948	4 pcs	M8	3÷4	5,5	8	microball-blasting	24	■	34,31
665978	4 pcs	M8	3÷4	8,5	11	microball-blasting	25	■	34,31
665968	4 pcs	M8	5÷6	6	14,5	microball-blasting	26	■	34,31
665958	4 pcs	M8	10	10	18,5	microball-blasting	27	■	34,31

*Products not in stock minimum order 4 pieces, delivery in 20 days.

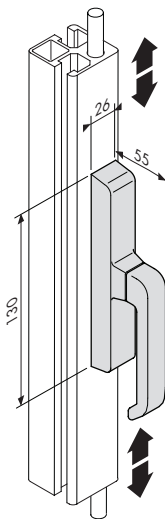
2689 **Cremone** handles for doors

Use: for swing doors.

Material handle composed of zamak body and mechanism, Hostaform internal sheath and base, steel spring, AISI 303 stainless steel rod.

Characteristics: cremone bolt into floor.

State of supply complete with 1 handle, 2 rods with customised length.



QUANTITY DISCOUNT

Q.ty Discounts	1+	2+	4+	8+
	-	-10%	-17%	on request

Order code	Pack	Colour	Weight g	Stock	€ piece
673907	1 pc	black RAL9005	480	■	75,70

■ Products not in stock minimum order 1 piece, delivery in 20 days.

1848

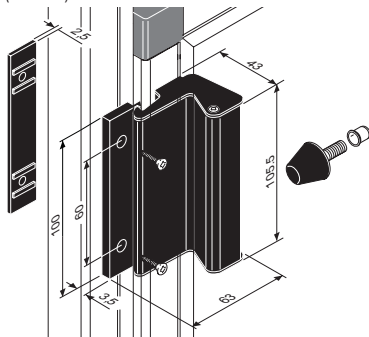
Handle with latch

for sliding doors

Use: for application on sliding doors to obtain both coupling to the frame and door opening.

Material black anodised aluminium handle; burnished steel screws; galvanised steel spring and rivet; polyamide end caps and striker plate; rubber pad.

State of supply complete with 2 end caps, 2 striker plates, 6 3.9x13 self-threading screws, 2 3.9x19 self-threading screws, 1 M6 rivet. (see table)


Code 609803

 with end-stop
buffer

QUANTITY DISCOUNT

Q. ty Discounts	1+	6+	12+	24+
	-	-10%	-17%	on request

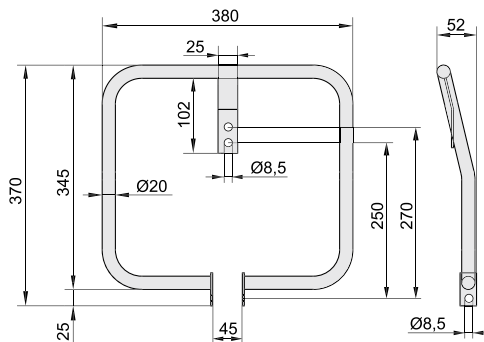
Order code	Pack	Version	Colour	Weight g	Stock	€ piece
609803	12 pcs	with end-stop buffer	black RAL9005	185	✓	18,63
666405	12 pcs	without end-stop buffer	black RAL9005	185	✓	15,97

4109 Handlebar

Use: to drive and control product carriages.

Material: stainless steel.

State of supply: complete with 4 DIN7984 M8x20 socket head screws, 4 washers, 4 M8 square nuts.



QUANTITY DISCOUNT

Q.ty	1+	2+	4+	8+
Discounts	-	-10%	-17%	on request

Order code	Pack	Finish	Weight g	Stock	€ piece
672727	1 pc	polished	1237	✓	195,54

Sizes on request of the customer

•Products not in stock minimum order 10 pieces, delivery in 15 days.





Doorstops



Snap-type

3 p.154



With magnet

3 p.165



With key

3 p.176



With socket head screw

3 p.181



WARNINGS

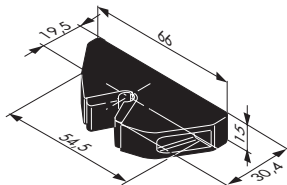
Only the Italian version of this catalogue is to be understood as the original version. Bett Sistemi shall not be held liable for any translation or transcription errors. The information contained in this catalogue is exclusively meant for component description purposes and shall not be understood as a statement made by Bett Sistemi regarding a specific characteristic of the component or its suitability for a specific use. The data provided **shall not relieve the customers from their responsibilities** in selecting and using any and all components. All information is based on the data available at the time of publishing and is not binding. Bett Sistemi shall not be held liable for any incomplete or wrong information, and for any damage which may arise in connection with such information. The products may be modified at any time without prior notice, **we therefore recommend that you always check the product updates at the website www.bettsistemi.com**

1265 → V-shaped with snap release for base

Use: for door locking.

Material | latch in polyacetal.

Code 610742 - 691812

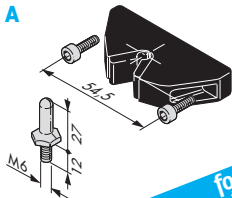


State of supply | V-shaped latch without screw.



Code 698601 - 691822 - 621939 - 687388

Type A

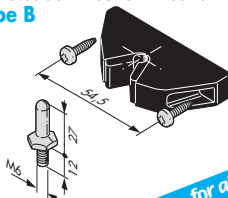


for steel
tube

State of supply | V-shaped latch complete with 1 M6 striker pin and 2 M6x16 socket head screws in stainless steel.

Code 698611 - 691842 - 691822 - 687408

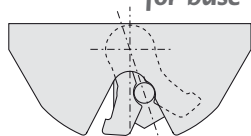
Type B



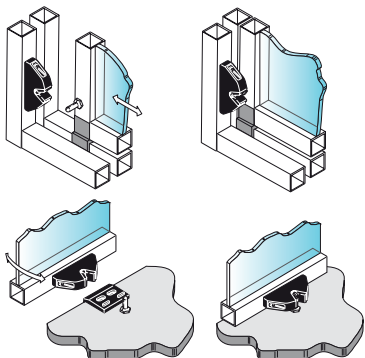
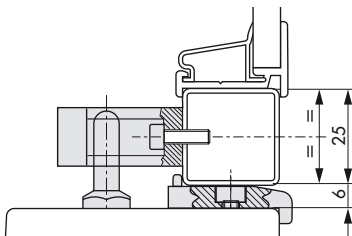
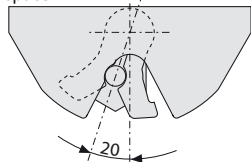
for aluminium
tube

State of supply | V-shaped latch complete with 1 M6 striker pin and 2 3.9x19 self-threading screws in stainless steel.

↓ 1265 V-shaped with snap release for base



attachment space



QUANTITY DISCOUNT

Q.ty Discounts	1+	6+	12+	24+
	-	-10%	-17%	on request

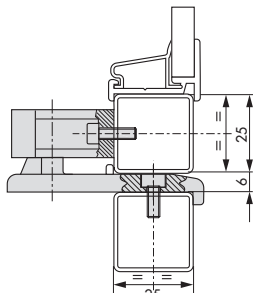
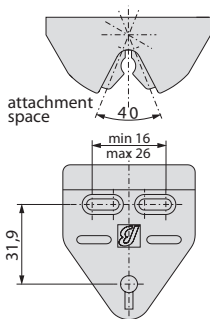
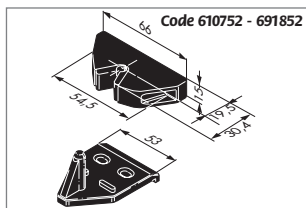
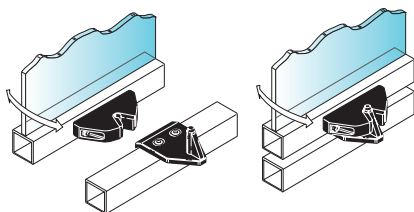
Order code	Pack	Nuts and bolts	Opening force N	Colour	Weight g	Stock	€ piece
610742	12 pcs	no	-	black RAL9005	17	✓	5,16
691812	12 pcs	no	-	grey RAL7016	17	✓	2,92
621939	12 pcs	Type A	25	black RAL9005	35	■	8,16
687388	12 pcs	Type A	25	grey RAL7016	35	■	8,16
698601	12 pcs	Type A	40	black RAL9005	35	✓	8,16
691822	12 pcs	Type A	40	grey RAL7016	35	✓	8,16
687398	12 pcs	Type B	25	black RAL9005	35	■	8,16
687408	12 pcs	Type B	25	grey RAL7016	35	■	8,16
698611	12 pcs	Type B	40	black RAL9005	35	✓	8,16
691842	12 pcs	Type B	40	grey RAL7016	35	✓	8,16

*Products not in stock minimum order 12 pieces, delivery in 5 days.

1281 → V-shaped with snap release

Use: to be used on stainless steel and aluminium tubes for applications on double swing doors when you need to fit 2 latches (one on the upper and one on the lower side) on each door. To obtain an opening force the same as for a single door (which mounts only one latch behind the handle).

Material: polyacetal latch; reinforced polyamide striker plate; AISI 304 stainless steel nuts and bolts.

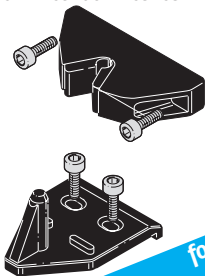




1281

V-shaped with snap release

Code 698621 - 691862 - 631632

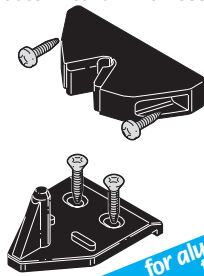


for steel tube

State of supply V-shaped latch complete with 1 striker plate with pin, 2 M4x16 socket head screws, 2 M4x10 socket head screws.



Code 698631 - 691872 - 612553



for aluminium tube

State of supply V-shaped latch, 1 striker plate with pin, 2 3.9x13 self-threading screws, 2 3.9x19 self-threading screws.



QUANTITY DISCOUNT

Q.ty Discounts	1+	6+	12+	24+
	-	-10%	-17%	on request

Order Code	Pack	Nuts and bolts	Opening force N	Colour	Weight g	Stack	€ piece
687358	12 pcs	no	25	black RAL9005	36	■	5,30
687368	12 pcs	no	25	grey RAL7016	36	■	5,66
610752	12 pcs	no	40	black RAL9005	36	✓	5,30
691852	12 pcs	no	40	grey RAL7016	36	✓	5,66
631632	12 pcs	Type A	25	black RAL9005	44	✓	7,02
691882	12 pcs	Type A	25	grey RAL7016	44	■	7,02
698621	12 pcs	Type A	40	black RAL9005	44	✓	7,02
691862	12 pcs	Type A	40	grey RAL7016	44	✓	7,02
687378	12 pcs	Type B	25	black RAL9005	44	■	7,02
683808	12 pcs	Type B	25	grey RAL7016	44	✓	7,02
698631	12 pcs	Type B	40	black RAL9005	44	✓	7,02
691872	12 pcs	Type B	40	grey RAL7016	44	✓	7,02

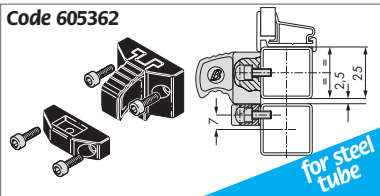
■ Products not in stock minimum order 12 pieces, delivery in 5 days.

1378 With manual release

Use: to ensure door closing. Versions suitable for Robomec profiles or 25x25 mm tubes.

Material: reinforced polyamide latch and striker plate, stainless steel nuts and bolts.

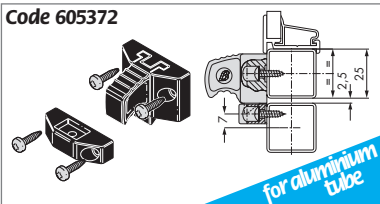
Code 605362



for steel tube

State of supply: latch complete with striker plate, 4 M4x10 socket head screws.

Code 605372



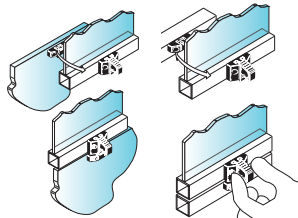
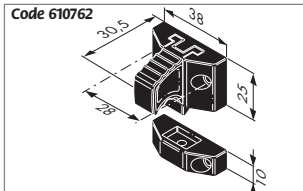
for aluminium tube

State of supply: latch complete with striker plate, 4 3.9x19 self-threading screws.



spring

Code 610762



QUANTITY DISCOUNT

Q.ty	1+	6+	12+	24+
Discounts	-	-10%	-17%	on request

Order code	Pack	Colour	Weight g	Stock	€ piece
610762	12 pcs	black RAL9005	20	✓	6,72
605362	12 pcs	black RAL9005	29	✓	6,86
605372	12 pcs	black RAL9005	29	✓	6,86

1263

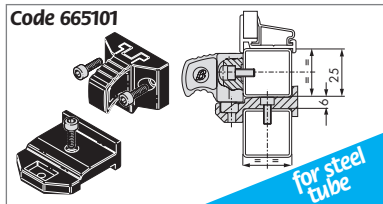
With manual release

Use: ensures door locking with manual opening release.

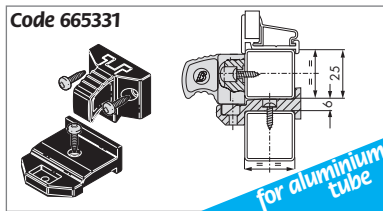
Material black reinforced polyamide latch and striker plate, stainless steel nuts and bolts, stainless steel spring.

Characteristics: if using this latch you will not need to fit a handle on the door; it is opened by lifting the catch and if it is violently closed without being accompanied, this latch prevents reopening by recoil.

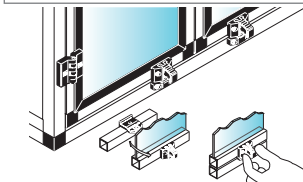
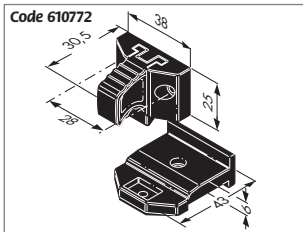
State of supply ensures door locking with manual opening release.



State of supply complete with 3 M4x10 socket head screws in stainless steel.



State of supply complete with 3 3.9x13 self-threading screws in stainless steel.



QUANTITY DISCOUNT

Q.ly Discounts	1+	6+	12+	24+
	-	-10%	-17%	on request

Order code	Pack	Colour	Weight g	Stock	€ piece
610772	12 pcs	black RAL9005	20	▪	6,72
665101	12 pcs	black RAL9005	35	✓	6,86
665331	12 pcs	black RAL9005	35	✓	6,86

•Products not in stock minimum order 12 pieces, delivery in 5 days.

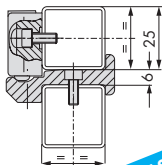
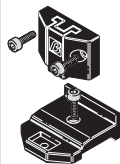
1264 With snap release

Use: to lock swing doors with minimal protrusion and pull opening.

Material: black reinforced polyamide latch and striker plate.

Characteristics: if using this latch, you will need to fit a handle on the door.

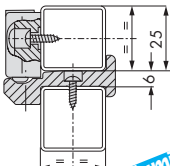
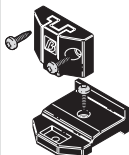
Code 665111



for steel tube

State of supply: complete with 3 M4x10 socket head screws in stainless steel.

Code 665341



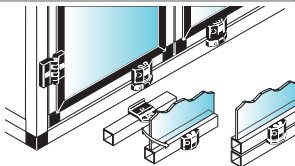
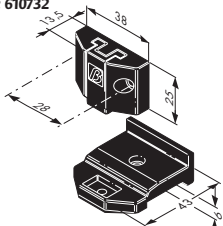
for aluminium tube

State of supply: complete with 3 3.9x13 self-threading screws in stainless steel.



spring

Code 610732



QUANTITY DISCOUNT

Q.ty	1+	6+	12+	24+
Discounts	-	-10%	-17%	on request

Order code	Pack	Colour	Weight g	Stock	€ piece
610732	12 pcs	black RAL9005	30	■	6,72
665111	12 pcs	black RAL9005	33	✓	6,86
665341	12 pcs	black RAL9005	33	✓	6,86

•Products not in stock minimum order 12 pieces, delivery in 5 days.

1666

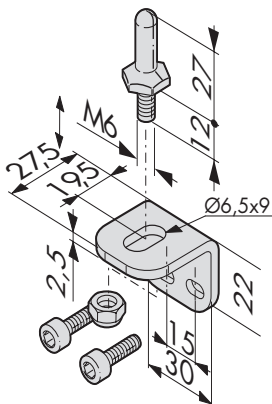
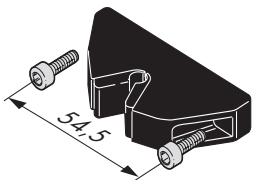
V-shaped with snap release

Use: for door locking.

Material polyacetal latch, AISI 303 stainless steel striker pin, mount and nuts and bolts in AISI 304 stainless steel.

Characteristics: always use two door stops for each door, one fitted on the upper and one the lower part.

State of supply V-shaped latch complete with 1 striker pin, 1 support pin, 4 M4x16 socket head screws, 1 M6 self-locking hexagon nut.



stainless steel
mount

QUANTITY DISCOUNT

Q. ty	1+	6+	12+	24+
Discounts	-	-10%	-17%	on request

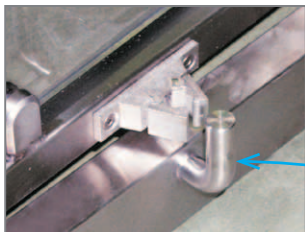
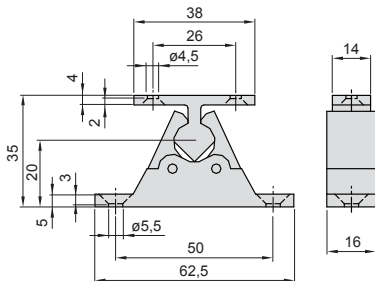
Order code	Pack	Opening force N	Colour	Weight g	Stock	€ piece
669742	12 pcs	25	black RAL9005	74	✓	13,48

2544 V-shaped stainless steel with snap release

Use: suitable for highly aggressive environments.

Material AISI 316 stainless steel, spring in stainless steel for springs.

State of supply State of supply: latch preassembled with spring, striker plate (see table)



Using a $\varnothing 12$ mm pin as an alternative to the plate provided, the opening force is increased to 30N.

QUANTITY DISCOUNT

Q.ty	1+	5+	10+	20+
Discounts	-	-10%	-17%	on request

Order code	Pack	Opening Force N	Striker plate	Finish	Weight g	Stock	€ piece
676868	10 pcs	40	yes	microball-blasting	86	✓	36,43
653698	10 pcs	-	no	microball-blasting	59,5	✓	30,28

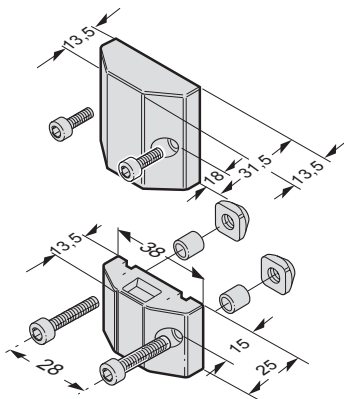
1333

Spring latch with snap release

Use: to lock swing doors with minimal protrusion and pull opening. If fitting this latch, you will have to fit a handle.

Material: stainless steel spring, reinforced polyamide latch and striker plate, stainless steel screws.

State of supply: complete with striker plate, 2 M4x10 screws, 2 M4x18 screws, 2 square nuts, 2 spacers.



QUANTITY DISCOUNT

Q. ty	1+	6+	12+	24+
Discounts	-	-10%	-17%	on request

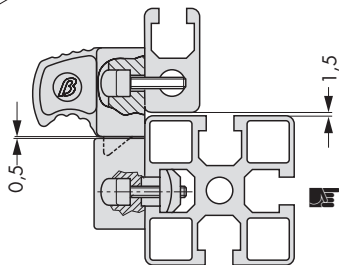
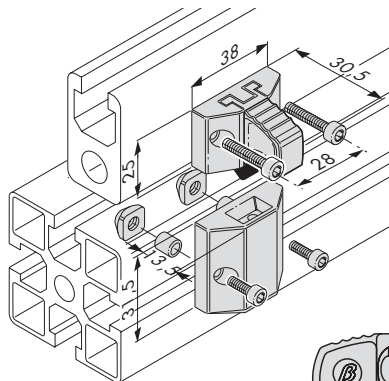
Order code	Pack	Opening force N	Colour	Weight g	Stock	€ piece
691781	12 pz	65	black RAL9005	45	✓	7,85
627823	12 pz	65	grey RAL7016	45	✓	7,85

1332 Spring latch with manual release

Use: the door can be made with the section bar Part. 8032 or 8018 and the frame with the section bar Part 8045 or greater cross-sections.

Material: latch in polyamide reinforced with glass fibre, AISI 304 stainless steel screws.

State of supply: complete with striker plate, 2 M4x10 screws, 2 M4x18 screws, 2 square nuts, 2 spacers.



QUANTITY DISCOUNT

Q.ty	1+	6+	12+	24+
Discounts	-	-10%	-17%	on request

Order code	Pack	Colour	Finish screws	Weight g	Stock	€ piece
691771	12 pcs	black RAL9005	galvanised	48	✓	7,85

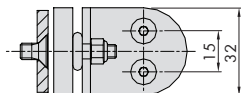
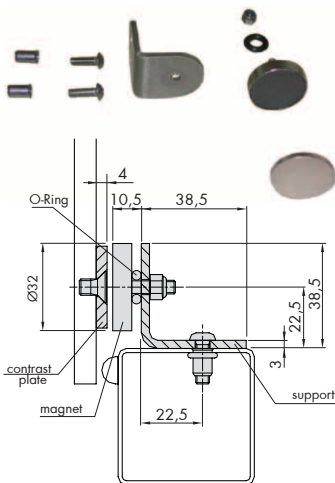
2323

With magnet

Use: to lock self-supporting glass swing doors.

Material support and nuts and bolts in AISI 304 stainless steel, magnet and contrast plate in nickel-plated steel, elastomer O-ring.

State of supply complete with 1 contrast plate, 1 O-ring, 2 M5x16 hexagon socket recessed pan head screws, 2 threaded inserts, 1 self-locking hexagon nut.



QUANTITY DISCOUNT

Q. ty	1+	6+	12+	24+
Discounts	-	-10%	-17%	on request

Order code	Pack	Opening force N	Finish support	Weight g	Stock	€ piece
651824	12 pcs	50	ball-polished	110	■	18,74

■ Products not in stock minimum order 12 pieces, delivery in 20 days.

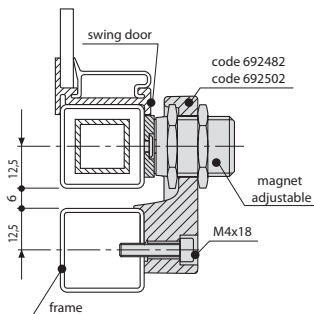
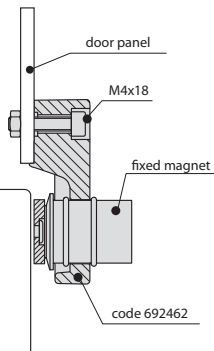
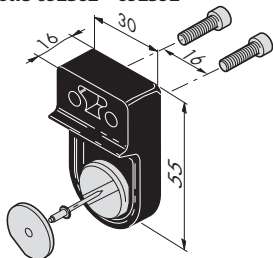
1777 → With magnet

Use: for door lock.

Material: reinforced polyamide support; black polyamide magnet seat; nuts and bolts, magnet holding rings and tear-off rivet in stainless steel.

State of supply: complete with contrast plate, 2 3.9x19 mm self-threading screws, 2 M4x18 socket head screws, 1 tear-off rivet, 2 magnet holding rings.

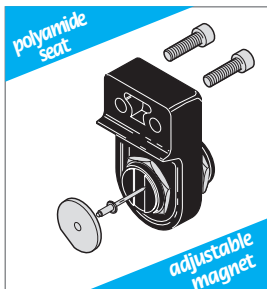
Code 692382 - 692392



↓ 1777 With magnet



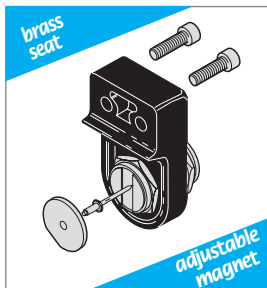
Code 692412-692422
(with nuts and bolts)
Code 698412-697872
(without nuts and bolts)



State of supply black polyamide magnet seat, 2 nickel-plated brass nuts.



Code 692402-686212
(with nuts and bolts)
Code 698272-697882
(without nuts and bolts)



State of supply magnet seat and 2 nuts in nickel-plated brass.

QUANTITY DISCOUNT

Q.ty	1+	6+	12+	24+
Discounts	-	-10%	-17%	on request

Order code	Pack	Attraction force N	Colour	Weight g	Stock	€ piece
692382	12 pcs	49,05	black RAL9005	62	■	7,95
692392	12 pcs	49,05	grey RAL7016	62	■	7,95
692412	12 pcs	49,05	black RAL9005	65	■	8,44
692422	12 pcs	49,05	grey RAL7016	73	■	8,44
692402	12 pcs	49,05	black RAL9005	78	■	9,43
686212	12 pcs	49,05	grey RAL7016	78	■	9,43
698272	12 pcs	49,05	grey RAL7016	70	■	8,36
697882	12 pcs	49,05	grey RAL7032	70	■	8,36
698412	12 pcs	49,05	grey RAL7016	58	■	8,36
697872	12 pcs	49,05	grey RAL7032	58	■	8,36

■ Products not in stock minimum order 12 pieces, delivery in 5 days.

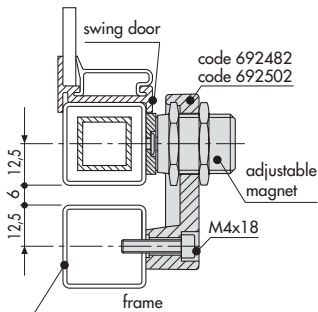
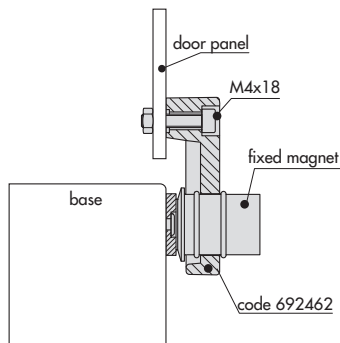
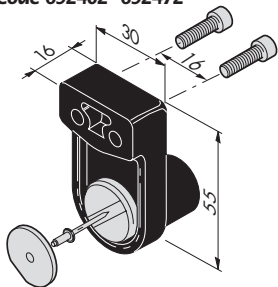
1146 → With magnet

Use: for closing sliding doors.

Material: reinforced polyamide support; black polyamide magnet seat; nuts and bolts, magnet holding rings and tear-off rivet in stainless steel.

State of supply: complete with 1 contrast plate, 2 3.9x19 mm self-threading screws, 2 M4x18 socket head screws, 1 tear-off rivet, 2 magnet holding rings.

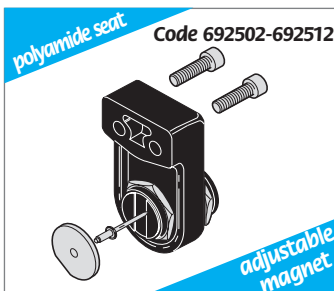
Code 692402 -692472



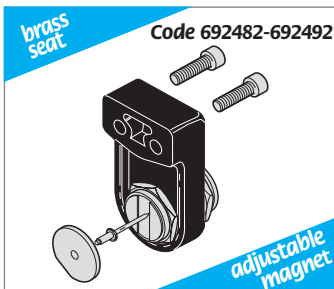
↓ 1146 With magnet



State of supply black polyamide magnet seat; 2 nuts in nickel-plated brass.



State of supply magnet seat and 2 nuts in nickel-plated brass.

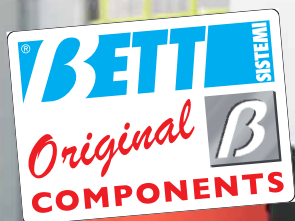


QUANTITY DISCOUNT

Q.ty Discounts	1+	6+	12+	24+
	-	-10%	-17%	on request

Order code	Pack	Attraction force N	Colour	Weight g	Stock	€ piece
692462	12 pcs	49,05	black RAL9005	62	✓	8,34
692472	12 pcs	49,05	grey RAL7016	62	✓	8,34
692502	12 pcs	49,05	black RAL9005	66	✓	8,86
692512	12 pcs	49,05	grey RAL7016	66	■	8,86
692482	12 pcs	49,05	black RAL9005	78	✓	9,91
692492	12 pcs	49,05	grey RAL7016	78	■	9,91

■ Products not in stock minimum order 1000 pieces, delivery in 20 days.

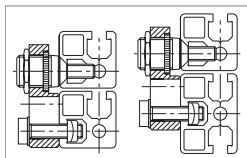
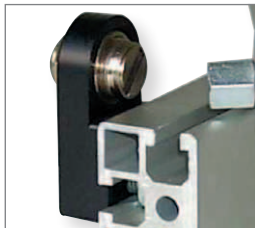
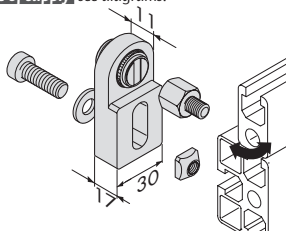


1683

Doorstop with adjustable magnet

Material polyethylene support, galvanised steel nuts and bolts.

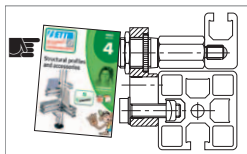
State of supply see diagrams.



Code 672612

Use: for frame constructed with Part 8032.

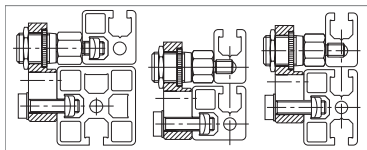
State of supply complete with 1 M8x30 fastening screw, 1 washer, 1 M8 square nut, 1 M8x20 countersunk head screw (as striker).



Code 675092

Use: for frame constructed with Part 8032.

State of supply complete with 1 M8x30 fastening screw, 1 washer, 1 M8 square nut, 1 M8x20 countersunk head screw (as striker).



Code 675082

Use: for frame constructed with Part 8045, 8032, M040R and door with Part 8032, 8018.

State of supply complete with 1 M8x30 fastening screw, 1 washer, 2 M8 square nuts, 1 striker plate.

QUANTITY DISCOUNT

Q.ty Discounts	1+	10+	20+	40+
	-	-10%	-17%	on request

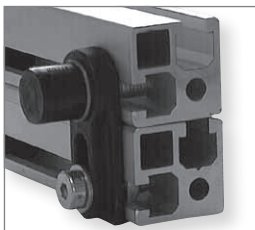
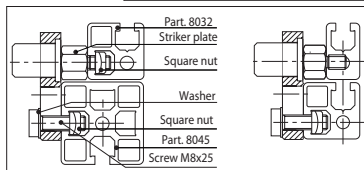
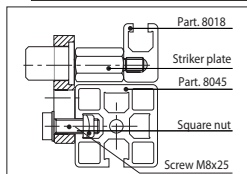
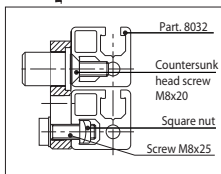
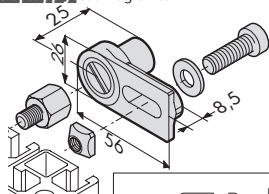
Order code	Pack	Attraction force N	Finish screws	Weight g	Stock	€ piece
672612	20 pcs	49,05	galvanised	80	✓	24,79
675082	20 pcs	49,05	galvanised	105	✓	26,46
675092	20 pcs	49,05	galvanised	125	✓	26,46

*Products not in stock minimum order 20 pieces, delivery in 5 days.

969 Magnet doorstop

Material polyethylene support, reinforced polyamide, galvanized steel nuts and bolts.

State of supply see diagrams.



Code 625231

Use: for frame and door constructed with Part 8032.

State of supply complete with 1 M8x25 fastening screw, 1 washer, 1 M8 square nut, 1 M8x20 countersunk head screw (as striker).

Code 632021

Use: for frame constructed with Part 8045 and door with Part 8018.

State of supply complete with 1 M8x25 fastening screw, 1 washer, 2 M8 square nuts, 1 striker plate.

Code 632001

Use: for frame constructed with Part 8045, 8032, M040R and door with Part 8032, 8018.

State of supply complete with 1 M8x25 fastening screw, 1 washer, 2 M8 square nuts, 1 striker plate.

QUANTITY DISCOUNT

Q.ty Discounts	1+	10+	20+	40+
	-	-10%	-17%	on request

Order code	Pack	Attraction force N	Finish screws	Weight g	Stock	€ piece
625231	20 pcs	49,05	galvanised	60	✓	11,52
632001	20 pcs	49,05	galvanised	80	✓	13,10
632021	20 pcs	49,05	galvanised	102	✓	13,10

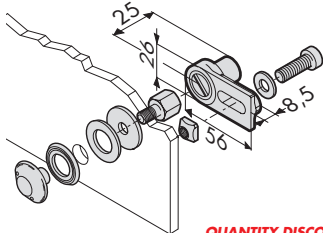
1438

Magnet doorstop for direct fitting

Use: the striker plate can be applied directly on the 4-8 mm thick buffer.

Material doorstop in RAL9005 black polyamide reinforced with glass fibre, steel screws, transparent PVC seals.

State of supply complete with 1 M8x25 screw, 1 washer, 1 M8 square nut.



QUANTITY DISCOUNT

Q.ty Discounts	1+	5+	10+	20+
	-	-10%	-17%	on request

Order code	Pack	Attraction force N	Finish screws	Weight g	Stock	€ piece
625152	10 pcs	49,05	galvanised	100	✓	16,65

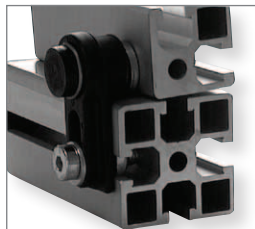
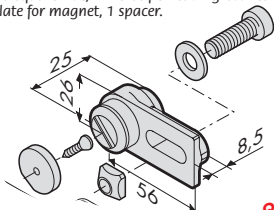
942

Magnet doorstop

Use: for frame constructed with Part 8045, 8032, 8040 and door with Part 8032, 8018.

Material doorstop in RAL9005 black polyamide reinforced with glass fibre, steel screws.

State of supply complete with 1 M8x25 fastening screw, 1 washer, 1 M8 square nut, 1 M3 self-threading countersunk head screw, 1 striker plate for magnet, 1 spacer.



QUANTITY DISCOUNT

Q.ty Discounts	1+	10+	20+	40+
	-	-10%	-17%	on request

Order code	Pack	Attraction force N	Finish screws	Weight g	Stock	€ piece
63838	20 pcs	49,05	galvanised	62	✓	9,00

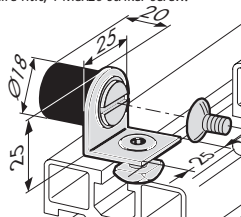
938 Magnet doorstop

Use: applicable to Parts 8032, 8045. To prepare the hole for the striker plate use the bit Part 875.

Material: aluminium angle, steel screws.

Characteristics: polyamide magnet casing.

State of supply: complete with 1 M6x16 countersunk head screw, 1 M6 square nut, 1 M8x20 striker screw.



QUANTITY DISCOUNT

Q.ty Discounts	1+	10+	20+	40+
	-	-10%	-17%	on request

Order code	Pack	Attraction force N	Finish Angle	Finish Screws	Weight g	Stock	€ piece
63667	20 pcs	49,05	anodised 15 µm	galvanised	60	✓	10,96

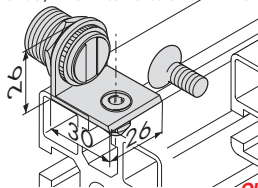
938 R Magnet doorstop

Use: applicable to Parts 8032, 8045. To prepare the hole for the striker plate use the bit Part 875.

Material: aluminium angle, steel screws.

Characteristics: the magnet position is adjustable. The magnet casing and the ring nuts are in nickel-plated brass.

State of supply: complete with 1 M6x16 countersunk head screw, 1 M6 square nut, 1 M8x12 striker screw and 1 M8x20 screw.



QUANTITY DISCOUNT

Q.ty Discounts	1+	10+	20+	40+
	-	-10%	-17%	on request

Order code	Pack	Attraction force N	Finish Angle	Finish Screws	Weight g	Stock	€ piece
672602	20 pcs	49,05	anodised 15 µm	galvanised	70	■	12,38

•Products not in stock minimum order: 20 pieces, delivery in 5 days.

943

Clip doorstop

Use: applicable to Parts 8032, 8018, 8045.

Material polyamide support reinforced with glass fibre, polyurethane eclipse, stainless steel pin.

State of supply complete with 1 M8x25 fastening screw, 1 washer, 2 M8 square nuts, 1 striker pin.


QUANTITY DISCOUNT

Q. ty	1+	10+	20+	40+
Discounts	-	-10%	-17%	on request

Order code	Pack	Finish pin	Weight g	Stock	€ piece
64308	20 pcs	stainless steel AISI303	50	✓	8,21

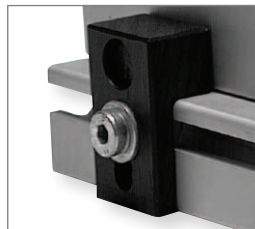
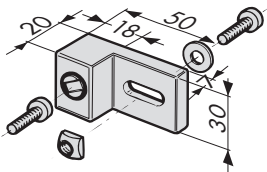
873

Magnet doorstop

Use: applicable on frames made with Part 8045 with door Part 8032, or frames made with Part 8032 with doors Part 8018.

Material polyethylene support, galvanised steel nuts and bolts.

State of supply complete with 1 M8x25 fastening screw, 1 washer, 1 M8 square nut, 1 M8x20 countersunk head striker screws.


QUANTITY DISCOUNT

Q. ty	1+	10+	20+	40+
Discounts	-	-10%	-17%	on request

Order code	Pack	Attraction force N	Weight g	Stock	€ piece
65465	20 pcs	19,62	60	✓	12,01

4441 For swing doors with striker plate for handle

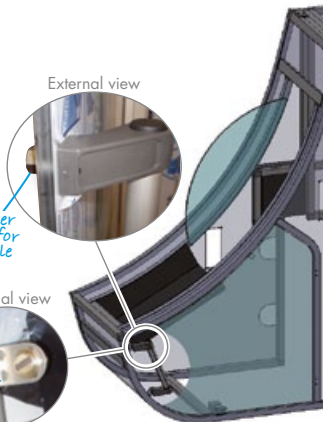
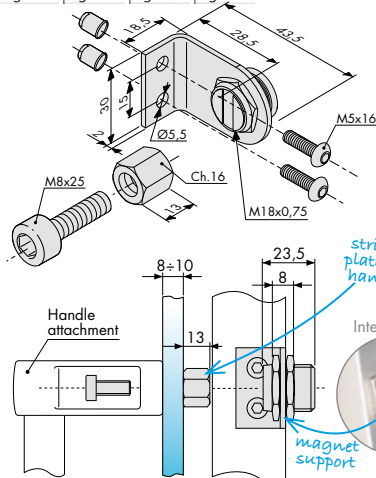
Use: to close panel swing doors without frame with 28Ø modular tubular handle.

Material: AISI 304 stainless steel support; magnet body in nickel-plated brass; M5x16 screw, ring nuts and threaded inserts in AISI 304 stainless steel; M8x16 screw and striker plate in galvanised steel.

Characteristics: the hexagonal striker plate can be fitted directly on the screw that fastens the handle attachment, so that the lock is aligned with the handle.

State of supply: complete with 2 UNI7380 M5x16 retaining screws, 2 M5 threaded inserts, 1 DIN7984 M8x25 screw, 1 hexagonal striker plate.

Combinations: 



QUANTITY DISCOUNT

Qty	1+	24+	36+	48+
Discounts	-	-10%	-17%	contact us

Order code	Pack	Opening force N	Support finish	Weight g	Stock	€ piece
666718	12 pcs	49,05	2B	113	■	20,95

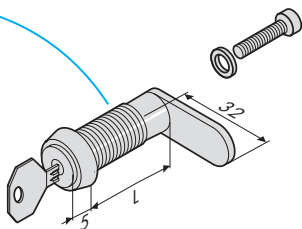
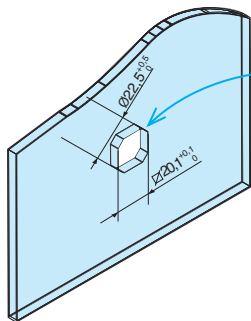
Products not in stock minimum order 12 pieces, delivery in 10 days (unless stock runs out).

845 Key lock

Use: for swing doors made with Part 8032 and frames Part 8032.

Material brass lock, galvanised steel nuts and bolts.

State of supply complete with 1 M5x25 socket head screw, 1 washer, 1 UNI 5927-67 M5x6 grub screw.



QUANTITY DISCOUNT

Q.ty	1+	10+	20+	40+
Discounts	-	-10%	-17%	on request

Order code	Pack	Key	L mm	Weight g	Stock	€ piece
66034	20 pcs	single	18,5	65	✓	9,32
664961	20 pcs	universal	18,5	65	✓	9,32
60816	20 pcs	single	32	80	✓	13,19
692181	20 pcs	universal	32	80	✓	13,19
60826	20 pcs	single	45	92	✓	14,59
692191	20 pcs	universal	45	92	✓	14,59

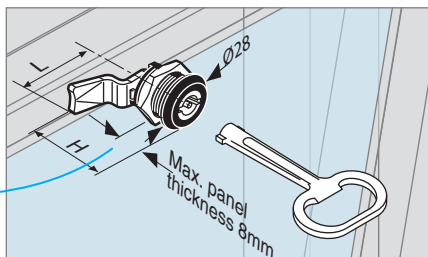
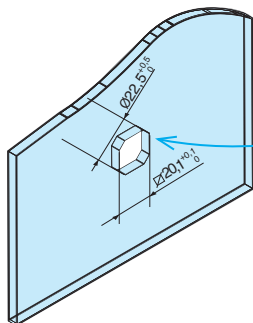
1845

Special key lock

Use: with panels having a max. thickness of 8 mm.

Material black polyamide cylinder, locking tab and tightening ring nut in galvanized steel.

State of supply complete with key.



QUANTITY DISCOUNT

Q.ty	1+	15+	30+	60+
Discounts	-	-10%	-17%	on request

Order code	Pack	H mm	L mm	Weight g	Stock	€ piece
605223	30 pcs	30	45	105	✓	7,30
616706	30 pcs	25	45	105	■	6,23

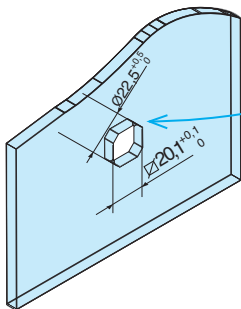
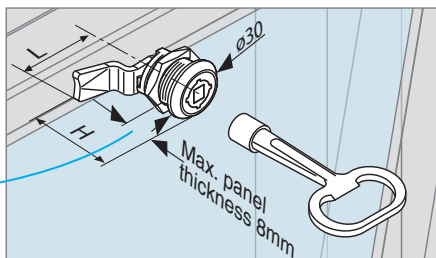
■ Products not in stock minimum order 130 pieces, delivery in 15 days.

1844 Key lock

Use: when you need to keep the key seat clean.

Material: Chrome-plated zamak cylinder, locking tab and tightening ring nut in galvanised steel.

State of supply: complete with key.



QUANTITY DISCOUNT

Q.ty	1+	15+	30+	60+
Discounts	-	-10%	-17%	on request

Order code	Pack	H mm	L mm	Weight g	Stock	€ piece
605213	30 pcs	30	45	200	✓	10,70
616716	30 pcs	25	45	200	■	8,56

■ Products not in stock minimum order 30 pieces, delivery in 20 days.

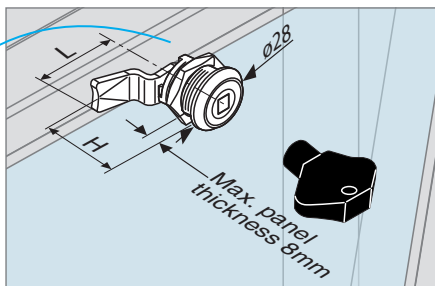
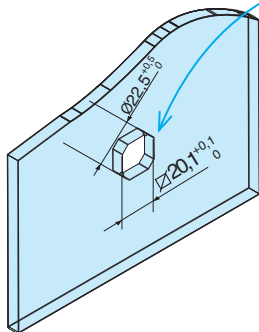
2599

Lock in stainless steel with key

Use: with panels having a max. thickness of 8 mm.

Material cylinder, locking tab and tightening ring nut in AISI 304 stainless steel, key in black polyamide.

State of supply code 600735 complete with key.



QUANTITY DISCOUNT

Q. ty	4+	8+	16+	32+
Discounts	-	-10%	-17%	on request

Order code	Pack	H mm	L mm	Key	Weight g	Stock	€ piece
600735	4 pcs	25	45	yes	96	■	30,02
691087	4 pcs	25	45	no	90	■	29,08

*Products not in stock minimum order 4 pieces, delivery in 10 days.

2328 Padlockable lock

Use: locking with padlock for doors and panels.

Material galvanised steel lock and latch; stainless steel tear-off rivets.

State of supply 1 padlockable lock, 1 lock striker plate, 4 3.2x12 tear-off rivets.



QUANTITY DISCOUNT

Q. ty	1+	2+	4+	8+
Discounts	-	-10%	-17%	on request

Order code	Pack	Finish	Weight g	Stock	€ piece
651844	1 pc	galvanised	65	■	11,70

■ Products not in stock minimum order 10 pieces, delivery in 10 days.

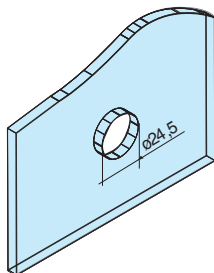
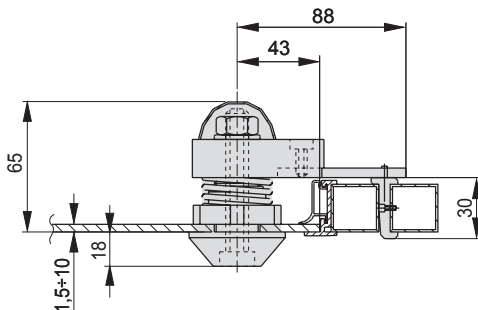
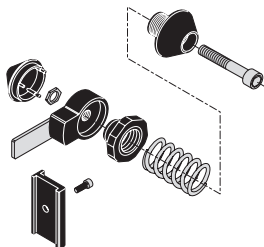
1122

Mechanical parts

Use: recommended for locking large doors if you do not want to use a safety switch.

Material: lock body, end cap and doorstop in reinforced polyamide; spring, nuts and bolts and end plate in AISI 304 stainless steel.

State of supply: complete with 1 end-of-travel stop.



QUANTITY DISCOUNT

Q. ty	1+	5+	10+	20+
Discounts	-	-10%	-17%	on request

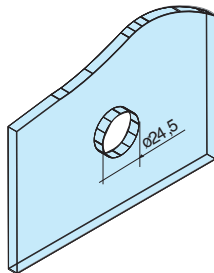
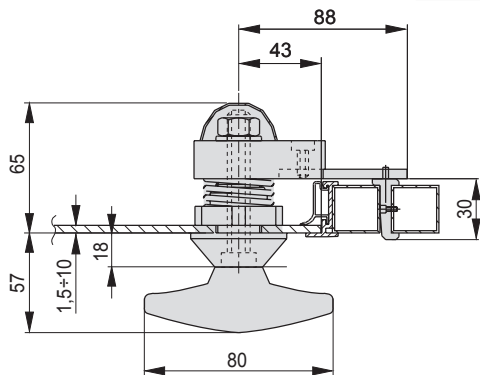
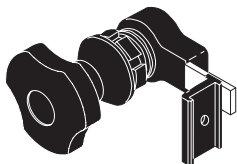
Order code	Pack	Weight	Colour	Stock	€
		g		piece	
63217	4 pcs	267	black RAL9005	✓	27,92

3711 Mechanical safety lock kit with knob

Use: recommended for locking large doors or doors made of mineral glass.

Material: lock body, end cap and knob in reinforced polyamide; spring, nuts and bolts, lever rod and end plate in AISI 304 stainless steel.

State of supply: complete with 1 end-of-travel stop.



QUANTITY DISCOUNT

Q.ty	1+	2+	4+	8+
Discounts	-	-10%	-17%	on request

Order code	Pack	Colour	Weight g	Stock	€ piece
642647	4 pcs	black RAL9005	380	■	38,30

*Products not in stock minimum order 4 pieces, delivery in 10 days.

2136

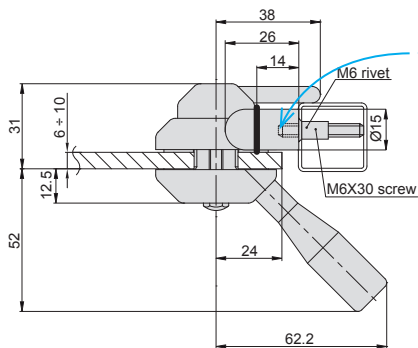
Stainless steel lever handle

Pharma

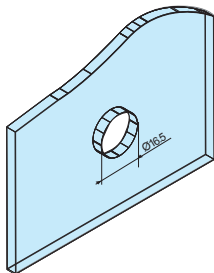
Use: recommended for locking large doors or doors made of mineral glass, designed for application in the pharmaceutical sector.

Material: AISI 304 stainless steel handle and closing plate, PVC seals, rubber O-rings, AISI 304 stainless steel rivet and screw.

State of supply: handle complete with 2 seals, 1 stopper block, 1 O-ring, 1 threaded rivet, 1 M6x30 headless screw.



Stopper block


QUANTITY DISCOUNT

Q. ty	1+	2+	4+	8+
Discounts	-	-10%	-17%	on request

Order code	Pack	Finitura	Wieht g	Stock	€ piece
696943	1 pcs	mirror polishing	320	■	334,20

■ Products not in stock minimum order 5 pieces, delivery in 20 days.



Feet and support bases



Polyamide feet and
foot kit with threaded caps

3 p.188



Stainless steel feet

3 p.214



Wheels

3 p.222



Threaded caps and end caps for tubes

3 p.234



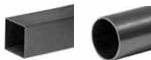
Bases

3 p.243



Tubes

3 p.248



WARNINGS

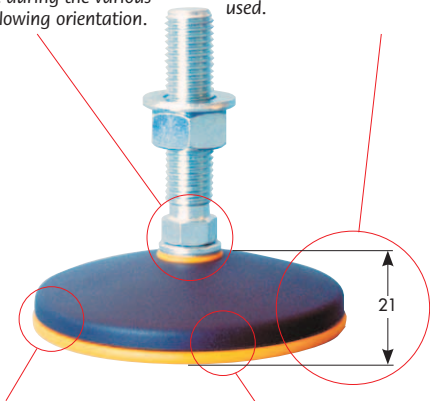
Only the Italian version of this catalogue is to be understood as the original version. Bett Sistemi shall not be held liable for any translation or transcription errors. The information contained in this catalogue is exclusively meant for component description purposes and shall not be understood as a statement made by Bett Sistemi regarding a specific characteristic of the component or its suitability for a specific use. The data provided **shall not relieve the customers from their responsibilities** in selecting and using any and all components. All information is based on the data available at the time of publishing and is not binding. Bett Sistemi shall not be held liable for any incomplete or wrong information, and for any damage which may arise in connection with such information. The products may be modified at any time without prior notice, **we therefore recommend that you always check the product updates at the website www.bettsistemi.com**

Coupling system between the rod and the base and between the base and the vibration-damping pad

Coupling between the rod, base and anti-slip material is extremely stable; this allows the base and/or the anti-slip material to be kept in place during the various movements, yet allowing orientation.

Standardised base height

The base height is the same for the five 21mm models; this facilitates design and application by standardising the heights of the supports, regardless of the foot model used.



Fully sanitizable

The particular shape of the base and the anti-slip material prevent infiltrations of fluids.

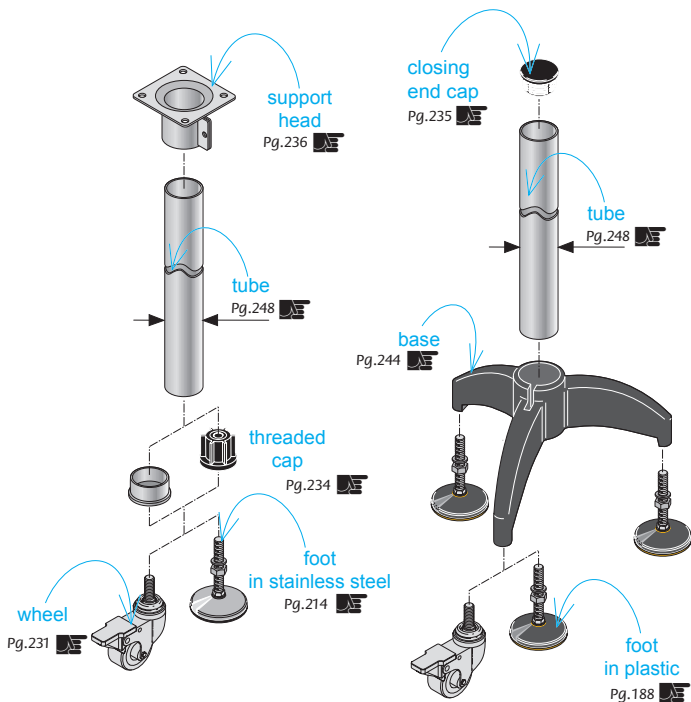
Base coupling + anti-slip material: the radial labyrinth shape and gluing the anti-slip material on the base prevent extraction caused by lifting or sliding on the floor of the foot-mounted structure.

Functional

The shape and the combination of the base/anti-slip material colours are coordinated with the Bett Sistemi accessories. This allows customisation of your product image.



The rod inclination allows the use of feet on floors with a maximum gradient of $\leq 8.7\%$ (hence more than the maximum gradient permitted by the current safety regulations for floors in working areas)



1445 → Articulated foot Ø43

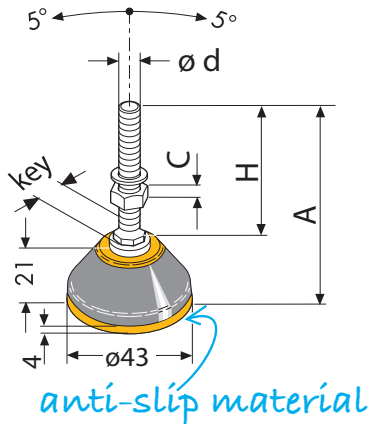
Material Rod, nut and washer in steel (see table); Base in reinforced polyamide, anti-slip material in yellow thermoplastic elastomer.

Colour anti-slip material: yellow RAL 1006.

Standard pack: 24 pieces.

State of supply complete with nut, washer and removable anti-slip seal (if provided, see table).

Combinations





1445

Articulated foot **043**

QUANTITY DISCOUNT

Q.ty Discounts	1+	12+	24+	48+
	-	-10%	-17%	on request

Order code	Static load N	ø d rod	A mm	H mm	C mm	Key	Anti-slip material	Colour base	Material base	Weight g	Stock	€ piece
625232	3000	M8	70	40	6,5	12	yes	grey RAL7016	galvanised	56	✓	3,76
664332	3000	M8	66	40	6,5	12	yes	grey RAL7016	galvanised	50	✓	2,95
625252	3000	M10	70	40	8	12	yes	grey RAL7016	galvanised	70	✓	4,08
630622	3000	M10	100	70	8	12	yes	grey RAL7016	galvanised	87	✓	4,27
630682	3000	M10	150	120	8	12	yes	grey RAL7016	galvanised	110	✓	4,91
664152	3000	M10	66	40	8	12	no	grey RAL7016	galvanised	100	✓	3,50
630632	3000	M10	100	70	8	12	yes	grey RAL7016	stainless steel	87	✓	6,04
653832	3000	M10	96	70	8	12	no	grey RAL7016	stainless steel	90	✓	5,27
653742	3000	M10	96	70	8	12	no	grey RAL7016	galvanised	90	✓	3,27
664112	3000	M10	146	120	8	12	no	grey RAL7016	galvanised	160	✓	4,10
654822	3000	M12	100	70	10	12	yes	grey RAL7016	galvanised	120	✓	6,06
652252	3000	M12	180	150	10	12	yes	grey RAL7016	galvanised	140	✓	7,25
654812	3000	M12	80	50	10	12	yes	grey RAL7016	galvanised	85	✓	5,76
653912	3000	M12	76	50	10	12	no	grey RAL7016	galvanised	80	✓	4,95
653922	3000	M12	96	70	10	12	no	grey RAL7016	galvanised	95	✓	5,25
653962	3000	M12	176	150	10	12	no	grey RAL7016	galvanised	175	✓	6,44
654942	3000	M12	160	130	10	12	yes	grey RAL7016	stainless steel	170	✓	10,33
654042	3000	M12	156	130	10	12	no	grey RAL7016	stainless steel	160	✓	9,52
642753	3000	M16	100	70	13	16	yes	grey RAL7016	stainless steel	140	✓	11,57
642763	3000	M16	96	70	13	16	no	grey RAL7016	stainless steel	135	✓	10,78

Feet with base in black RAL9005 available for each size in the table

Feet with threaded stem in customised length minimum order: 200 pieces, delivery in 20 days.

■ Products not in stock minimum order: 24 pieces, delivery in 10 days.

3743 → Articulated foot Ø43 low-cost

Material Rod, nut and washer in steel (see table); Base in reinforced polyamide, anti-slip material in yellow thermoplastic elastomer.

Colour anti-slip material: yellow RAL 1006.

Standard pack: 24 pieces.

State of supply complete with nut, washer and removable anti-slip seal (if provided, see table).

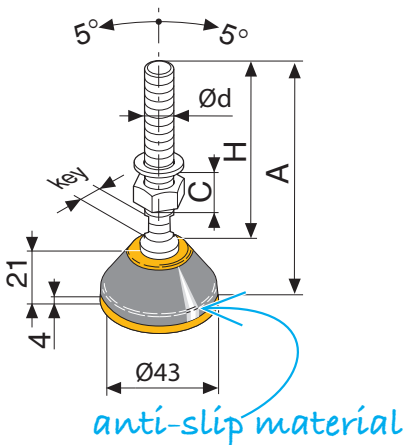
Combinations



Low-cost



13



↓ 3743

Articulated foot Ø43 low-cost



QUANTITY DISCOUNT

Q.ty Discounts	1+	12+	24+	48+
	-	-10%	-17%	on request

Order code	Static load N	Ø d rod	A mm	H mm	C mm	Key	Anti-slip material	Colour base	Material rod	Weight g	Stock	€ piece
664397	3000	M16	100	70	13	13	yes	grey RAL7016	galvanised	140	✓	5,17
664407	3000	M16	96	70	13	13	no	grey RAL7016	galvanised	135	✓	4,26
664417	3000	M16	100	70	13	13	yes	grey RAL7016	stainless steel	140	✓	7,72
664427	3000	M16	96	70	13	13	no	grey RAL7016	stainless steel	135	✓	6,81
664437	3000	M16	170	140	13	13	yes	grey RAL7016	galvanised	200	✓	5,89
664447	3000	M16	166	140	13	13	no	grey RAL7016	galvanised	195	✓	4,98
664457	3000	M16	170	140	13	13	yes	grey RAL7016	stainless steel	200	✓	9,39
664467	3000	M16	166	140	13	13	no	grey RAL7016	stainless steel	195	✓	8,48
664477	3000	M16	190	160	13	13	yes	grey RAL7016	galvanised	240	✓	6,52
664487	3000	M16	186	160	13	13	no	grey RAL7016	galvanised	235	✓	5,61
664497	3000	M16	190	160	13	13	yes	grey RAL7016	stainless steel	240	✓	11,77
664507	3000	M16	186	160	13	13	no	grey RAL7016	stainless steel	235	✓	10,86

Feet with base in black RAL9005 available for each size in the table

Feet with threaded stem in customised length minimum order: 200 pieces, delivery in 20 days.

■ Products not in stock minimum order: 24 pieces, delivery in 10 days.

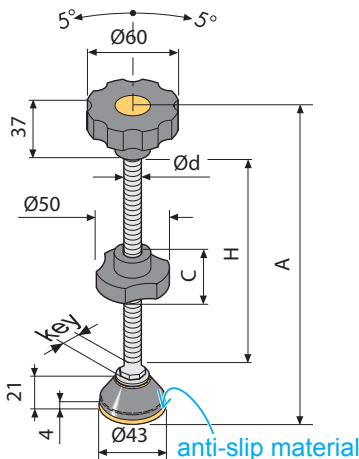
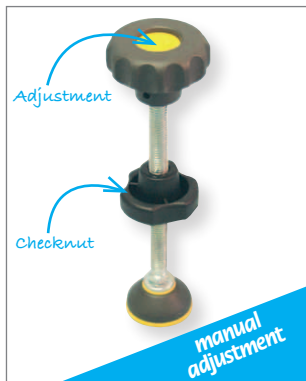
2439 Articulated foot Ø43 with manual adjustment

Material galvanised steel threaded rod; base in reinforced polyamide, anti-slip material in thermoplastic elastomer.

Colour anti-slip material: yellow RAL 1006.

Standard pack: 2 pieces.

State of supply n. 1 M12 Ø43 foot, 1 knob, 1 4x26 flexible pin, 1 three-lobed handwheel and with removable anti-slip seal (if provided, see table).



QUANTITY DISCOUNT

Q.ty Discounts	1+	12+	24+	48+
	-	-10%	-17%	48+ on request

Order code	Static load N	Ø d rod	A mm	H mm	C mm	Key	Anti-slip material	Colour base	Material rod	Weight g	Stock	€ piece
672384	3000	M12	200	135	30	12	yes	grey RAL7016	galvanised	215	■	14,33
672394	3000	M12	196	135	30	12	no	grey RAL7016	galvanised	335	■	13,76

Feet with base in black RAL9005 available for each size in the table

■ Products not in stock minimum order: 2 pieces (24 for feet with RAL9005 black base), delivery in 10 days.



1501 → Articulated foot Ø80

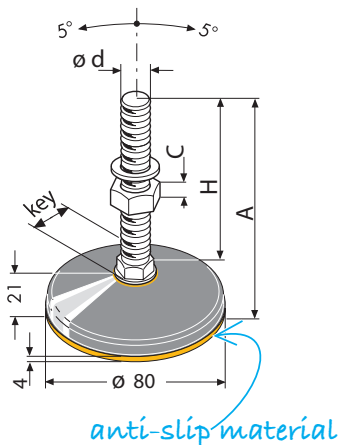
Material Rod, nut and washer in steel (see table); Base in reinforced polyamide, anti-slip material in thermoplastic elastomer.

Colour anti-slip material: yellow RAL 1006.

Standard pack: 24 pieces.

State of supply complete with nut, washer and removable anti-slip seal (if provided, see table).

Combinations





1501

Articulated foot Ø80



QUANTITY DISCOUNT

Q.ty Discounts	1+	12+	24+	48+
	-	-10%	-17%	on request

Order code	Static load N	ø d rod	A mm	H mm	C mm	Key	Anti-slip material	Colour base	galvanised	Weight g	Stock	€ piece
661632	10000	M8	70	40	6,5	12	yes	grey RAL7016	galvanised	105	✓	4,20
662532	10000	M8	66	40	6,5	12	no	grey RAL7016	galvanised	100	✓	3,20
630652	10000	M10	70	40	8	12	yes	grey RAL7016	galvanised	120	✓	4,50
631652	10000	M10	100	70	8	12	yes	grey RAL7016	galvanised	137	✓	4,70
630672	10000	M10	150	120	8	12	yes	grey RAL7016	galvanised	160	✓	5,33
630662	10000	M10	100	70	8	12	yes	grey RAL7016	stainless steel	137	✓	6,47
662352	10000	M10	66	40	8	12	no	grey RAL7016	galvanised	115	✓	3,50
655542	10000	M10	96	70	8	12	no	grey RAL7016	galvanised	135	✓	3,70
662312	10000	M10	146	120	8	12	no	grey RAL7016	galvanised	155	✓	4,33
655632	10000	M10	96	70	8	12	no	grey RAL7016	stainless steel	135	✓	5,47
654862	10000	M12	180	150	10	12	yes	grey RAL7016	galvanised	185	✓	7,22
631802	10000	M12	160	130	10	12	yes	grey RAL7016	stainless steel	170	✓	9,74
656612	10000	M12	80	50	10	12	yes	grey RAL7016	galvanised	125	✓	5,40
655712	10000	M12	76	50	10	12	no	grey RAL7016	galvanised	120	✓	4,40
656622	10000	M12	100	70	10	12	yes	grey RAL7016	galvanised	140	✓	5,66
655722	10000	M12	96	70	10	12	no	grey RAL7016	galvanised	135	✓	4,66
655762	10000	M12	176	150	10	12	no	grey RAL7016	galvanised	180	✓	6,22
630642	10000	M16	100	70	13	16	yes	grey RAL7016	stainless steel	215	✓	8,15
656352	10000	M16	96	70	13	16	no	grey RAL7016	stainless steel	200	✓	7,24

Feet with base in black RAL9005 available for each size in the table

Feet with threaded stem in customised length minimum order: 200 pieces, delivery in 20 days.

*Products not in stock minimum order: 24 pieces, delivery in 10 days.

3742 → Articulated foot Ø 80, low-cost

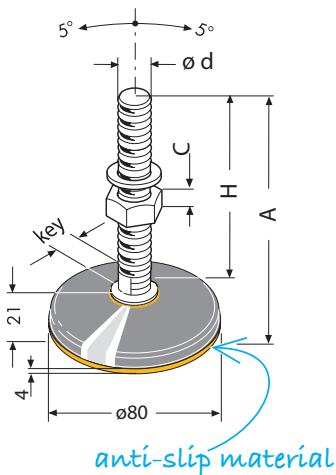
Material threaded rod, nut and washer in steel (see tables); base in RAL7016 grey reinforced polyamide; anti-slip material in RAL1006 yellow thermoplastic elastomer.

Colour anti-slip material: RAL 1006 yellow.

Standard pack: 24 pieces.

State of supply complete with nut, washer and removable anti-slip seal (if provided, see table).

Combinations



↓ 3742

Articulated foot Ø 80, low-cost



QUANTITY DISCOUNT

Qty Discounts	1+	12+	24+	48+
	-	-10%	-17%	on request

Order code	Static load N	Ø d rod	A mm	H mm	C mm	Key	Anti-slip material	Colour base	Material rod	Weight g	Stock	€ piece
664317	10000	M16	100	70	13	13	yes	grey RAL7016	galvanised	219	✓	5,53
664587	10000	M16	190	160	13	13	yes	grey RAL7016	galvanised	335	✓	7,31
664527	10000	M16	100	70	13	13	yes	grey RAL7016	stainless steel	215	✓	8,15
664517	10000	M16	96	70	13	13	no	grey RAL7016	galvanised	215	✓	4,62
664537	10000	M16	96	70	13	13	no	grey RAL7016	stainless steel	335	✓	7,24
664547	10000	M16	170	140	13	13	yes	grey RAL7016	galvanised	215	✓	6,26
664557	10000	M16	166	140	13	13	no	grey RAL7016	galvanised	210	✓	5,35
664567	10000	M16	170	140	13	13	yes	grey RAL7016	stainless steel	215	✓	10,13
664577	10000	M16	166	140	13	13	no	grey RAL7016	stainless steel	210	✓	9,22
664597	10000	M16	186	160	13	13	no	grey RAL7016	galvanised	330	✓	6,41
664607	10000	M16	190	160	13	13	yes	grey RAL7016	stainless steel	335	✓	12,52
664617	10000	M16	186	160	13	13	no	grey RAL7016	stainless steel	330	✓	11,61

Feet with base in black RAL9005 available for each size in the table

Feet with threaded stem in customised length minimum order: 200 pieces, delivery in 20 days.

■ Products not in stock minimum order: 24 pieces, delivery in 10 days.

1504 → Articulated foot Ø80 for floor-mounting

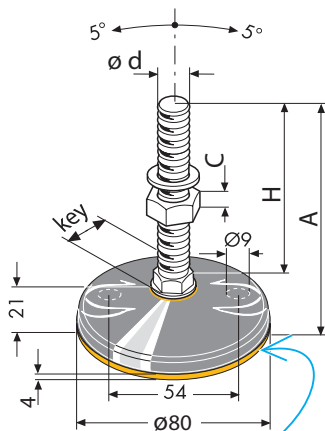
Material Rod, nut and washer in steel (see table); Base in reinforced polyamide, anti-slip material in RAL1006 yellow thermo-plastic elastomer.

Colour anti-slip material: yellow RAL 1006.

Standard pack: 24 pieces.

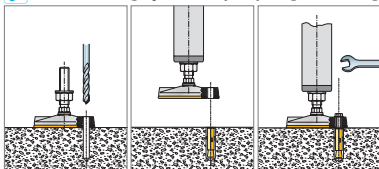
State of supply anti-slip material: yellow RAL 1006.

Combinations



Anti-slip material

Floor-mounting by means of diaphragm breaking





1504

Articulated foot Ø80

for floor-mounting



QUANTITY DISCOUNT

Q.ty Discounts	1+	12+	24+	48+
	-	-10%	-17%	on request

Order code	Static load N	ø d rod	A mm	H mm	C mm	Key	Anti-slip material	Colour base	Material rod	Weight g	Stock	€ piece
639193	10000	M8	70	40	6,5	12	yes	grey RAL7016	galvanised	80	✓	4,90
639553	10000	M8	66	40	6,5	12	no	grey RAL7016	galvanised	70	✓	3,90
639913	10000	M10	70	40	8	12	yes	grey RAL7016	galvanised	90	✓	6,02
639943	10000	M10	100	70	8	12	yes	grey RAL7016	galvanised	110	✓	6,49
685342	10000	M10	150	120	8	12	yes	grey RAL7016	galvanised	160	✓	6,69
640263	10000	M10	66	40	8	12	no	grey RAL7016	galvanised	90	✓	5,03
640293	10000	M10	96	70	8	12	no	grey RAL7016	galvanised	108	✓	5,49
640343	10000	M10	146	120	8	12	no	grey RAL7016	galvanised	150	✓	5,69
640113	10000	M10	100	70	8	12	yes	grey RAL7016	stainless steel	112	✓	7,14
640473	10000	M10	96	70	8	12	no	grey RAL7016	stainless steel	115	✓	6,14
640653	10000	M12	100	70	10	12	yes	grey RAL7016	galvanised	120	✓	6,90
616113	10000	M12	180	150	10	12	yes	grey RAL7016	galvanised	185	✓	7,22
640633	10000	M12	80	50	10	12	yes	grey RAL7016	galvanised	100	✓	6,63
640993	10000	M12	76	50	10	12	no	grey RAL7016	galvanised	110	✓	5,63
641013	10000	M12	96	70	10	12	no	grey RAL7016	galvanised	118	✓	5,90
641093	10000	M12	176	150	10	12	no	grey RAL7016	galvanised	180	✓	6,22
640893	10000	M12	160	130	10	12	yes	grey RAL7016	stainless steel	170	✓	10,05
641253	10000	M12	156	130	10	12	no	grey RAL7016	stainless steel	165	✓	9,05
655272	10000	M16	100	70	13	16	yes	grey RAL7016	stainless steel	215	✓	8,13
642613	10000	M16	96	70	13	16	no	grey RAL7016	stainless steel	210	✓	7,14

Feet with base in black RAL9005 available for each size in the table

Feet with threaded stem in customised length minimum order: 200 pieces, delivery in 20 days.

■ Products not in stock minimum order: 24 pieces, delivery in 10 days.

3350 → Articulated foot Ø80

low-cost for floor-mounting

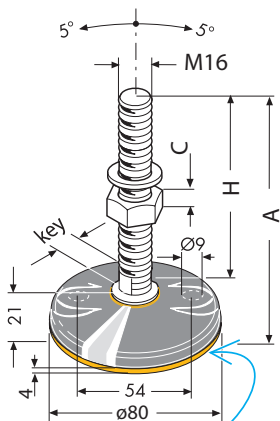
Material threaded rod, nut and washer (see tables); Base in reinforced polyamide, anti-slip material in thermoplastic elastomer.

Colour anti-slip material: yellow RAL 1006.

Standard pack: 24 pieces.

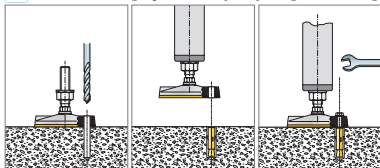
State of supply complete with nut, washer and removable anti-slip seal (if provided, see table).

Combinations



anti-slip material

Floor-mounting by means of diaphragm breaking





3350

Articulated foot Ø80**low-cost for floor-mounting****QUANTITY DISCOUNT**

Q.ty Discounts	1+	12+	24+	48+
	-	-10%	-17%	on request

Order code	Static load N	ø d rod	A mm	H mm	C mm	Key	Anti-slip material	Colour base	Material rod	Weight g	Stock	€ piece
608747	10000	M16	100	70	13	13	yes	grey RAL7016	stainless steel	220	✓	8,13
608227	10000	M16	170	140	13	13	yes	grey RAL7016	stainless steel	320	✓	9,78
608737	10000	M16	96	70	13	13	no	grey RAL7016	stainless steel	210	✓	7,31
608187	10000	M16	166	140	13	13	no	grey RAL7016	stainless steel	315	✓	8,96
615367	10000	M16	100	70	13	13	yes	grey RAL7016	galvanised	220	✓	5,55
664627	10000	M16	190	160	13	13	yes	grey RAL7016	galvanised	333	✓	8,28
664637	10000	M16	186	160	13	13	no	grey RAL7016	galvanised	355	✓	7,37
664647	10000	M16	190	160	13	13	yes	grey RAL7016	stainless steel	360	✓	12,39
664657	10000	M16	186	160	13	13	no	grey RAL7016	stainless steel	355	✓	11,47
615347	10000	M16	170	140	13	13	yes	grey RAL7016	galvanised	320	✓	6,42
615337	10000	M16	166	140	13	13	no	grey RAL7016	galvanised	315	✓	5,51
615357	10000	M16	96	70	13	13	no	grey RAL7016	galvanised	210	✓	4,64

Feet with base in black RAL9005 available for each size in the table

Feet with threaded stem in customised length minimum order: 200 pieces, delivery in 20 days.

■ Products not in stock minimum order 24 pieces, delivery in 10 days.

3744 → Articulated foot $\varnothing 100$, low-cost

Material threaded rod, nut and washer (see tables); base in reinforced polyamide, anti-slip material in thermoplastic elastomer.

Colour anti-slip material: yellow RAL 1006.

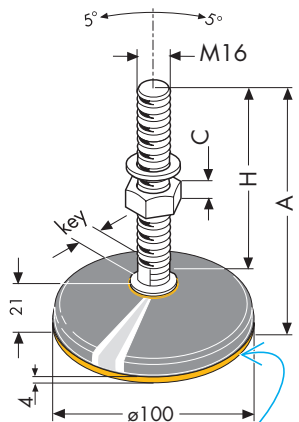
Standard pack: 24 pieces.

State of supply complete with nut, washer and removable anti-slip seal (if provided, see table).

Combinations



LOW-COST
13



anti-slip material

↓ 3744 Articulated foot Ø100, low-cost



QUANTITY DISCOUNT

Q.ty Discounts	1+	12+	24+	48+
	-	-10%	-17%	on request

Order code	Static load N	Ø d rod	A mm	H mm	C mm	Key	Anti-slip material	Colour base	Material rod	Weight g	Stock	€ piece
664667	10000	M16	100	70	13	13	yes	grey RAL7016	galvanised	260	✓	7,89
664747	10000	M16	190	160	13	13	yes	grey RAL7016	zincato	375	✓	9,66
664687	10000	M16	100	70	13	13	yes	grey RAL7016	stainless steel	260	✓	9,95
664707	10000	M16	170	140	13	13	yes	grey RAL7016	galvanised	340	✓	8,83
664677	10000	M16	96	70	13	13	no	grey RAL7016	galvanised	260	✓	6,97
664697	10000	M16	96	70	13	13	no	grey RAL7016	stainless steel	375	✓	8,46
664717	10000	M16	166	140	13	13	no	grey RAL7016	galvanised	260	✓	7,91
664727	10000	M16	170	140	13	13	yes	grey RAL7016	stainless steel	340	✓	11,14
664737	10000	M16	166	140	13	13	no	grey RAL7016	stainless steel	335	✓	10,23
664757	10000	M16	186	160	13	13	no	grey RAL7016	galvanised	370	✓	8,74
664767	10000	M16	190	160	13	13	yes	grey RAL7016	stainless steel	375	✓	13,66
664777	10000	M16	186	160	13	13	no	grey RAL7016	stainless steel	370	✓	12,75

Feet with base in black RAL9005 available for each size in the table

Feet with threaded stem in customised length minimum order: 200 pieces, delivery in 20 days.

•Products not in stock minimum order: 24 pieces, delivery in 10 days.

1503 → Articulated foot Ø100 for floor-mounting

Material threaded rod, nut and washer (see tables); Base in reinforced polyamide, anti-slip material in thermoplastic elastomer.

Colour anti-slip material: yellow RAL 1006.

Standard pack: 24 pieces.

State of supply complete with nut, washer and removable anti-slip seal (if provided, see table).

Combinations



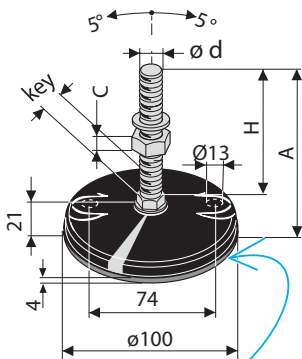
Pg.234

Pg.236

Pg.237

Pg.239

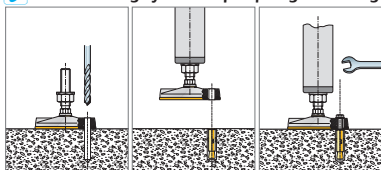
Pg.241



anti-slip material



Floor-mounting by means of diaphragm breaking





1503

Articulated foot Ø100

for floor-mounting

**QUANTITY DISCOUNT**

Q.ty Discounts	1+	12+	24+	48+
	-	-10%	-17%	on request

Order code	Static load N	ø d rod	A mm	H mm	C mm	Key	Anti-slip material	Colour base	Material rod	Weight g	Stock	€ piece
668792	10000	M8	70	40	6,5	12	yes	grey RAL7016	galvanised	80	✓	6,33
669692	10000	M8	66	40	6,5	12	no	grey RAL7016	galvanised	70	✓	5,25
668612	10000	M10	70	40	8	12	yes	grey RAL7016	galvanised	95	✓	6,82
669512	10000	M10	66	40	8	12	no	grey RAL7016	galvanised	90	✓	5,75
667202	10000	M10	100	70	8	12	yes	grey RAL7016	galvanised	140	✓	7,62
666302	10000	M10	96	70	8	12	no	grey RAL7016	galvanised	135	✓	6,55
668572	10000	M10	150	120	8	12	yes	grey RAL7016	galvanised	165	✓	8,39
669472	10000	M10	146	120	8	12	no	grey RAL7016	galvanised	160	✓	7,32
667292	10000	M10	100	70	8	12	yes	grey RAL7016	stainless steel	140	✓	10,72
666392	10000	M10	96	70	8	12	no	grey RAL7016	stainless steel	135	✓	9,64
667372	10000	M12	80	50	10	12	yes	grey RAL7016	galvanised	125	✓	7,68
667422	10000	M12	180	150	10	12	yes	grey RAL7016	galvanised	225	✓	9,02
666472	10000	M12	76	50	10	12	no	grey RAL7016	galvanised	100	✓	6,60
667382	10000	M12	100	70	10	12	yes	grey RAL7016	galvanised	200	✓	7,81
666482	10000	M12	96	70	10	12	no	grey RAL7016	galvanised	150	✓	6,73
666522	10000	M12	176	150	10	12	no	grey RAL7016	galvanised	235	✓	7,95
667502	10000	M12	160	130	10	12	yes	grey RAL7016	stainless steel	210	✓	11,70
666602	10000	M12	156	130	10	12	no	grey RAL7016	stainless steel	200	✓	10,63
664772	10000	M16	100	70	13	16	yes	grey RAL7016	stainless steel	260	✓	9,95
666932	10000	M16	96	70	13	16	no	grey RAL7016	stainless steel	255	✓	8,79

Feet with base in black RAL9005 available for each size in the table

Feet with threaded stem in customised length minimum order: 200 pieces, delivery in 20 days.

■ Products not in stock minimum order: 24 pieces, delivery in 10 days.

3349 → Articulated foot Ø100

low-cost for floor-mounting

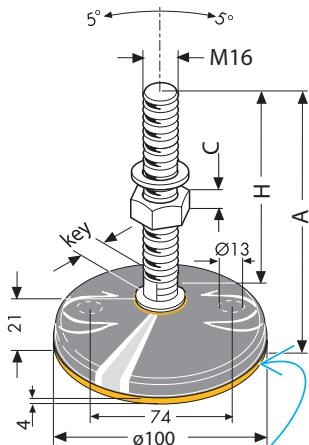
Material threaded rod, nut and washer (see tables); Base in reinforced polyamide, anti-slip material in thermoplastic elastomer.

Colour anti-slip material: yellow RAL 1006.

Standard pack: 24 pieces.

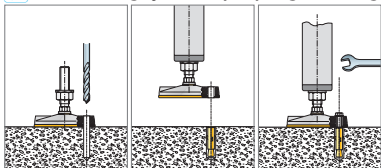
State of supply complete with nut, washer and removable anti-slip seal (if provided, see table).

Combinations



anti-slip material

Floor-mounting by means of diaphragm breaking





3349

Articulated foot Ø100

low-cost for floor-mounting



QUANTITY DISCOUNT

Q. ty Discounts	1+	12+	24+	48+
	-	-10%	-17%	on request

Order code	Static load N	Ø d rod	A mm	H mm	C mm	Key	Anti-slip material	Colour base	Material rod	Weight g	Stock	€ piece
608727	10000	M16	100	70	13	13	yes	grey RAL7016	stainless steel AISI303	265	✓	9,95
608217	10000	M16	170	140	13	13	yes	grey RAL7016	stainless steel AISI303	300	✓	12,60
608717	10000	M16	96	70	13	13	no	grey RAL7016	stainless steel AISI303	255	✓	8,83
608177	10000	M16	166	140	13	13	no	grey RAL7016	stainless steel AISI303	320	✓	11,52
625927	10000	M16	100	70	13	13	yes	grey RAL7016	galvanised	265	✓	7,89
664787	10000	M16	190	160	13	13	yes	grey RAL7016	galvanised	350	✓	9,66
625947	10000	M16	96	70	13	13	no	grey RAL7016	galvanised	265	✓	6,97
625937	10000	M16	170	140	13	13	yes	grey RAL7016	galvanised	300	✓	9,44
625957	10000	M16	166	140	13	13	no	grey RAL7016	galvanised	255	✓	8,53
664797	10000	M16	186	160	13	13	no	grey RAL7016	galvanised	290	✓	8,74
664807	10000	M16	190	160	13	13	yes	grey RAL7016	stainless steel AISI303	265	✓	13,46
664817	10000	M16	186	160	13	13	no	grey RAL7016	stainless steel AISI303	350	✓	12,55

Feet with base in black RAL9005 available for each size in the table

Feet with threaded stem in customised length minimum order: 200 pieces, delivery in 20 days.

■ Products not in stock minimum order: 24 pieces, delivery in 10 days.

2943

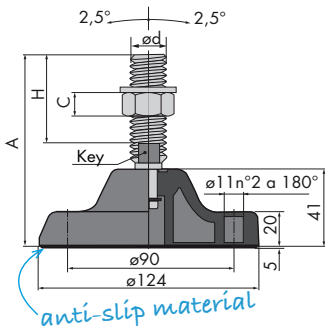
Articulated foot $\varnothing 124$ for floor-mounting

Material threaded rod, nut and washer see tables; base in reinforced polyamide, anti-slip material in thermoplastic elastomer.

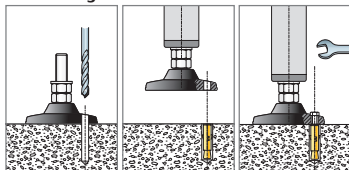
Colour base: see table; black anti-slip material.

Standard pack: 8 pieces.

State of supply complete with nut, washer and removable anti-slip seal (if provided, see table).



i Floor-mounting by means of diaphragm breaking



QUANTITY DISCOUNT

Q.ty Discounts	1+	4+	8+	16+
	-	-10%	-17%	on request

Order code	Static rod N	\varnothing d rod	A mm	H mm	C mm	Key	Anti-slip material	Colour base	Material rod	Weight g	Stock	€ piece
674145	43000	M16	266	206	13	24	yes	black RAL9005	galvanised	613	✓	17,59
630537	45000	M20	172	102	16	30	yes	black RAL9005	galvanised	700	✓	18,94
688645	45000	M20	200	130	16	30	yes	grey RAL7016	stainless steel	760	■	21,58
688925	45000	M20	195	130	16	30	no	grey RAL7016	stainless steel	750	■	15,73
629887	45000	M20	200	130	16	30	yes	black RAL9005	stainless steel	760	✓	21,58
629897	45000	M20	195	130	16	30	yes	black RAL9005	stainless steel	750	✓	15,73

*Products not in stock minimum order: 50 pieces, delivery in 10 days.

1134

Articulated foot kit **Ø43**

and cap for tube and cap for tube 25x25, thickness 1.2

Use: to be fitted on the 25x25x1.2 stainless steel tube.

Material base in reinforced polyamide, anti-slip material in thermoplastic elastomer, stainless steel rod, reinforced polyamide cap.

Standard pack: 12 pieces.

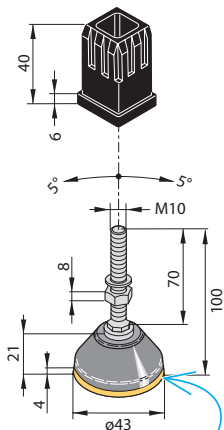
Combinations 1001

State of supply complete with nut, washer, threaded cap and removable anti-slip seal.

Combinations



Pg.248



anti-slip material



QUANTITY DISCOUNT

Q.ty Discounts	1+	6+	12+	24+
	-	-10%	-17%	on request

Order code	Static load N	Tube thickness mm	Anti-slip material mm	Colour base	Material	Weight g	Stock	€ piece
631492	500	1,2	yes	grey RAL7016	stainless steel	118	✓	11,38
654045	500	1,2	yes	black RAL 9005	stainless steel	118	✓	11,38

1555

Articulated foot kit $\varnothing 100$ and cap for tube $\varnothing 48.3$, thickness 1.5

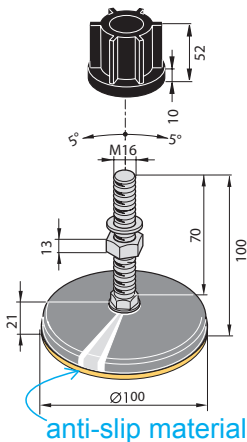
Use: to be fitted on $\varnothing 48.3$ tube.

Material RAL 7016 grey base, black reinforced polyamide threaded cap, anti-slip material in thermoplastic elastomer, nickel-plated brass insert; rod and nuts and bolts in stainless steel; anti-slip material in yellow RAL 1006 thermoplastic elastomer.

Standard pack: 4 pieces.

State of supply complete with nut, washer, threaded cap and removable anti-slip seal.

Combinations



QUANTITY DISCOUNT

Q.ty Discounts	1+	4+	8+	16+
	-	-17%	-25%	on request

Order code	Static load N	Tube thickness mm	Anti-slip material	Colour base	Material rod	Weight g	Stock	€ piece
652232	5000	1,5	yes	grey RAL7016	stainless steel	340	✓	17,79
654195	5000	1,5	yes	black RAL9005	stainless steel	340	■	17,79

•Products not in stock minimum order: 8 pieces, delivery in 10 days.

1701

Articulated foot kit Ø100

with floor-mounting and cap for tube Ø48.3, thickness 1.5

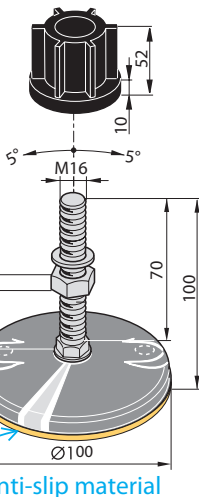
Use: to be fitted on Ø48.3 tube.

Material base and threaded cap in reinforced polyamide anti-slip material in thermoplastic elastomer, nickel-plated brass insert, rod and nuts and bolts in stainless steel.

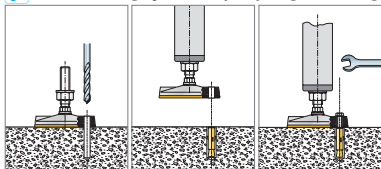
Standard pack: 4 pieces.

State of supply complete with nut, washer, threaded cap and removable anti-slip seal.

Combinations



Floor-mounting by means of diaphragm breaking



QUANTITY DISCOUNT

Q.ty Discounts	1+	4+	8+	16+
	-	-17%	-25%	on request

Order code	Static load N	Tube thickness mm	Anti-slip material	Colour base	Material rod	Weight g	Stack	€ piece
676152	5000	1,5	yes	grey RAL 7016	stainless steel	390	✓	18,05
654145	5000	1,5	yes	black RAL 9005	stainless steel	390	■	18,05

*Products not in stock minimum order 8 pieces, delivery in 10 days.

1554

Articulated foot kit $\varnothing 100$ and cap for tube 50x50, thickness 1.5 or 3

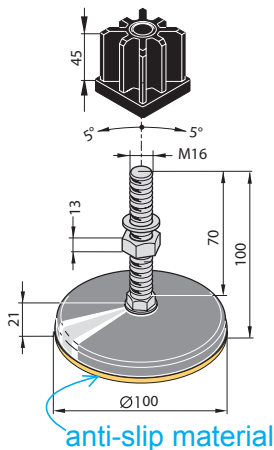
Use: to be fitted on 50x50 tube.

Material RAL 7016 grey base, black reinforced polyamide threaded cap, anti-slip material in thermoplastic elastomer, nickel-plated brass insert; rod and nuts and bolts in stainless steel; anti-slip material in yellow RAL 1006 thermoplastic elastomer.

Standard pack: 4 pieces.

State of supply complete with nut, washer and threaded cap and removable anti-slip seal.

Combinations



QUANTITY DISCOUNT

Q.ty Discounts	1+	4+	8+	16+
	-	-17%	-25%	on request

Order code	Static load N	Tube thickness mm	Anti-slip material	Colour base	Material rod	Weight g	Stock	€ piece
652212	5000	1,5	yes	grey RAL7016	stainless steel	360	✓	17,79
652222	5000	3	yes	grey RAL7016	stainless steel	360	✓	21,39
654155	5000	1,5	yes	black RAL9005	stainless steel	360	■	17,79
654165	5000	3	yes	black RAL9005	stainless steel	360	■	21,39

•Products not in stock minimum order: 8 pieces, delivery in 10 days.

1700

Articulated foot kit Ø100

with floor-mounting and cap for tube 50x50, thickness 1.5 or 3

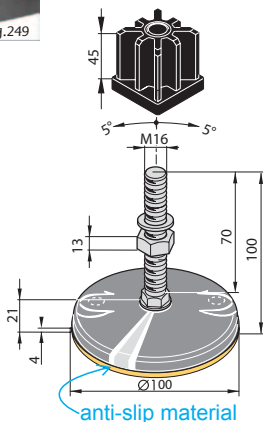
Use: to be fitted on 50x50 tube.

Material base and threaded cap in reinforced polyamide anti-slip material in thermoplastic elastomer, nickel-plated brass insert, rod and nuts and bolts in stainless steel.

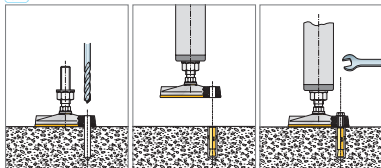
Standard pack: 4 pieces.

State of supply complete with nut, washer, threaded cap and removable anti-slip seal.

Combinations



Floor-mounting by means of diaphragm breaking



QUANTITY DISCOUNT

Q.ty Discounts	1+	4+	8+	16+
	-	-17%	-25%	on request

Order code	Static load N	Tube thickness mm	Anti-slip material	Colour base	Material rod	Weight g	Stock	€ piece
676132	5000	1,5	yes	grey RAL7016	stainless steel	416	✓	14,64
676142	5000	3	yes	grey RAL7016	stainless steel	416	✓	20,50
654105	5000	1,5	yes	black RAL9005	stainless steel	416	✓	14,64
654135	5000	3	yes	black RAL 9005	stainless steel	416	■	20,50

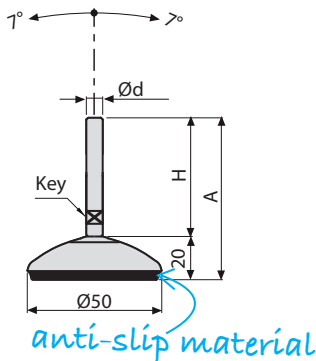
Products not in stock minimum order 8 pieces, delivery in 10 days.

2848 Articulated foot Ø50 in stainless steel

Material AISI 304 stainless steel base and rod, anti-slip material in RAL 9005 black thermoplastic elastomer.

Standard pack: 24 pieces.

Combinations



QUANTITY DISCOUNT

Q.ty Discounts	24+	48+	96+
	-	-17%	on request

Order code	Static load N	Ø d rod	A mm	H mm	Key mm	Anti-slip	Material rod	Weight g	Stock	€ piece
661396	10000	M8	100	80	6	yes	stainless steel	100	■	17,63
661406	10000	M10	100	80	7	yes	stainless steel	130	■	18,18
665208	12000	M12	125	105	9	yes	stainless steel	145	■	21,10
661426	12000	M14	150	130	11	yes	stainless steel	200	■	26,23

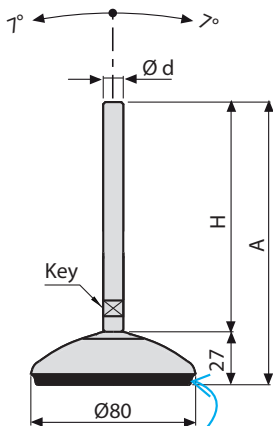
*Products not in stock minimum order: 24 pieces, delivery in 10 days.

2626 Articulated foot Ø80 in stainless steel

Material AISI 304 stainless steel base and rod, anti-slip material in RAL 9005 black thermoplastic elastomer.

Standard pack: 24 pieces.

Combinations



anti-slip material



QUANTITY DISCOUNT

Q.ty Discounts	24+	48+	96+
	-	-17%	on request

Order code	Static load N	Ø d rod	A mm	H mm	Anti-slip	Key mm	Material rod	Weight g	Stock	€ piece
690874	15000	M16	125	98	yes	13	stainless steel	292	■	24,83

■ Products not in stock minimum order: 24 pieces, delivery in 10 days.

4156 Articulated foot Ø100 in stainless steel

Material AISI 304 stainless steel base and rod, anti-slip material in RAL 9005 black thermoplastic elastomer.

Standard pack: 24 pieces.

Combinations

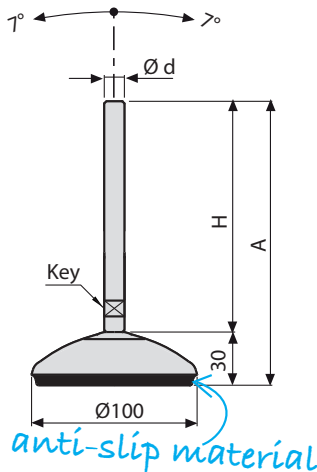


Pg.234

Pg.236

Pg.239

Pg.241



QUANTITY DISCOUNT

Q.ty	24+	48+	96+
Discounts	-	-17%	on request

Order code	Static load N	Ø d rod	A mm	H mm	Anti-slip	Key mm	Material+rod	Weight g	Stock	€ piece
691787	15000	M16	150	120	yes	13	stainless steel	350	■	25,71
691797	15000	M16	200	170	yes	13	stainless steel	400	■	26,28

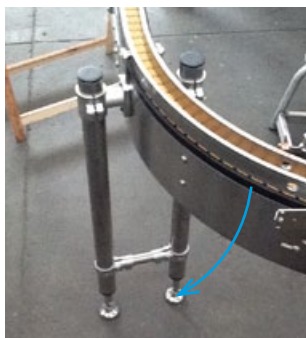
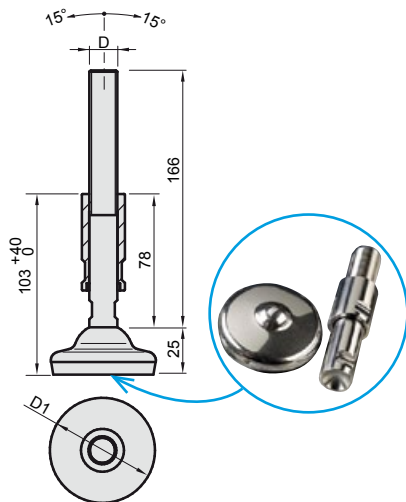
*Products not in stock minimum order: 24 pieces, delivery in 10 days.

WP RE Adjustable foot

Use: adjustable foot suitable for application in the pharmaceutical and food industries. The rounded surface of the foot prevents dust and dirt from depositing, while the threaded height-adjustment pin is completely hidden preventing dirt accumulation and stagnation areas.

Material AISI 304 stainless steel.

Standard pack: 2 pieces.



QUANTITY DISCOUNT

Qty	2+	4+	8+	16+	32+
Discounts	-	-3%	-6%	10%	contact us

Order code	Static load N	D1 Ø	D Ø	Finish	Weight g	Stock	€ piece
020013	6870	60	M16	electropolished	742	✓	67,50

M75 Articulated foot Ø75 in stainless steel

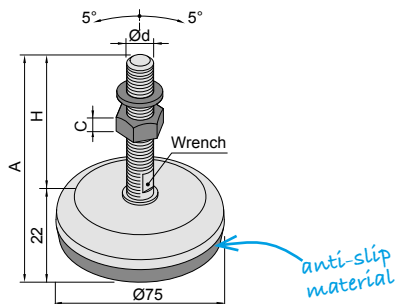
Material AISI 304 stainless steel base, rod, nut and washer, anti-slip material in RAL 9005 black thermoplastic elastomer.

Characteristics: the slightly rounded shapes make it easy to clean;

Anti-slip rubber characteristics in compliance with FDA regulations; application temperature: from -20°C to + 100°C; hardness: 75 Shore, electrically not conductive; high chemical resistance to commonly used detergents high resistance to greases and oils.

Standard pack: 4 pieces.

State of supply depending on the version, complete with nut and washer (see table).



QUANTITY DISCOUNT

Q. ty Discounts	4+	24+	36+	72+	192+
	-	-5%	-10%	-15%	on request

Order code	Static load N	Ø d rod	H mm	A mm	C mm	Nut and washer	Wrench mm	Rod material	Weight g	Stock	€ piece
M75-12-070	9800	M12	72	94	10	no	10	stainless steel	270	✓	16,18
606429	9800	M12	72	94	10	yes	10	stainless steel	290	✓	17,68
M75-12-150	9800	M12	147	169	10	no	10	stainless steel	320	■	16,96
606439	9800	M12	147	169	10	yes	10	stainless steel	340	■	18,46
M75-16-100	9800	M16	101	123	13	no	13	stainless steel	340	■	17,53
606449	9800	M16	101	123	13	yes	13	stainless steel	380	■	19,03
M75-16-150	9800	M16	142	164	13	no	13	stainless steel	410	■	18,31
606459	9800	M16	142	164	13	yes	13	stainless steel	450	■	19,81

•Products not in stock minimum order: 12 pieces, delivery in 7 days.

M76 Articulated foot Ø75 in stainless steel

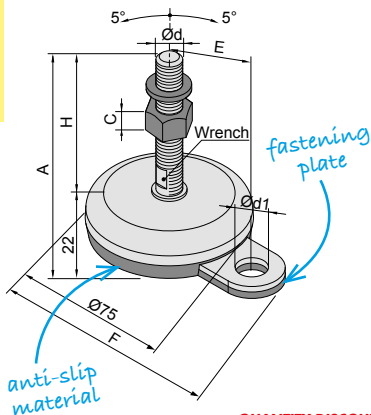
Material base, rod, nut, washer and fastening plate in AISI 304 stainless steel, anti-slip device in black NBR rubber.

Characteristics: Made to be fastened to the floor. The fastening plate is embedded to allow the anchored foot to absorb vibrations. The rounded shapes make it easy to clean.

Anti-slip rubber characteristics in compliance with FDA regulations; application temperature: from -20°C to + 100°C; hardness: 75 Shore, electrically not conductive; high chemical resistance to commonly used detergents high resistance to greases and oils.

Standard pack: 4 pieces.

State of supply depending on the version, complete with nut and washer (see table).



QUANTITY DISCOUNT

Q.ty Discounts	4+	24+	36+	72+	192+
	-	-5%	-10%	-15%	on request

Order code	Static load N	Ø d rod mm	Ø d1 mm	H mm	A mm	F mm	E mm	C mm	Nut and washer	Wrench mm	Rod material	Weight g	Stock	€ piece
M76-12-070	11760	M12	15	72	94	106	52	10	no	10	stainless steel	320	■	17,22
606469	11760	M12	15	72	94	106	52	10	yes	10	stainless steel	340	■	18,72
M76-12-150	11760	M12	15	147	169	106	52	10	no	10	stainless steel	370	■	18,00
606479	11760	M12	15	147	169	106	52	10	yes	10	stainless steel	390	■	19,50
M76-16-100	11760	M16	15	101	123	106	52	13	no	13	stainless steel	390	■	18,58
606489	11760	M16	15	101	123	106	52	13	yes	13	stainless steel	430	■	20,08
M76-16-150	11760	M16	15	142	164	106	52	13	no	13	stainless steel	440	■	20,20
606499	11760	M16	15	142	164	106	52	13	yes	13	stainless steel	480	■	21,70

•Products not in stock minimum order: 12 pieces, delivery in 7 days.

H80

Articulated foot Ø80

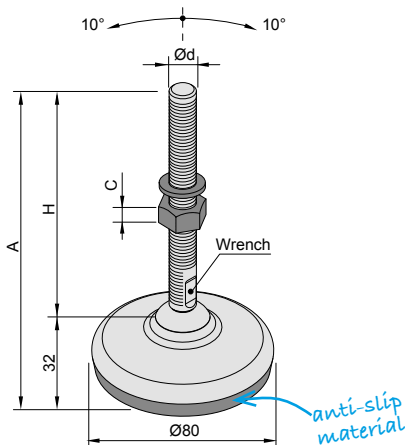
in stainless steel **Pharma**

Material base, rod, nut and washer in AISI 304 stainless steel, anti-slip device in black NBR rubber.

Characteristics: model with linear design with covered connection shim between the base and the pin. The slightly rounded shapes make it easy to clean.

Standard pack: 4 pieces.

State of supply depending on the version, complete with nut and washer (see table).



QUANTITY DISCOUNT

Q. ty Discounts	4+	24+	36+	72+	192+
	-	-5%	-10%	-15%	on request

Order code	Static load N	Ø d rod	H mm	A mm	C mm	Nut and washer	Wrench mm	Rod material	Weight g	Stock	€ piece
H80-12-070	14700	M12	70	102	10	no	10	stainless steel	310	✓	17,31
606349	14700	M12	70	102	10	yes	10	stainless steel	330	✓	18,81
H80-12-150	14700	M12	139	171	10	no	10	stainless steel	360	✓	18,09
606359	14700	M12	139	171	10	yes	10	stainless steel	380	✓	19,59
H80-16-100	14700	M16	97	129	13	no	13	stainless steel	380	■	18,67
606369	14700	M16	97	129	13	yes	13	stainless steel	420	■	20,17
H80-16-150	14700	M16	139	171	13	no	13	stainless steel	420	■	20,27
606379	14700	M16	139	171	13	yes	13	stainless steel	460	■	21,77

•Products not in stock minimum order: 12 pieces, delivery in 7 days.

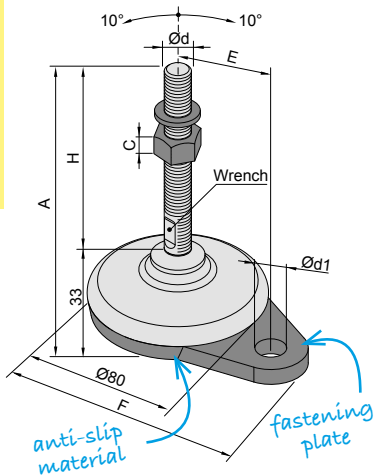
H81 Articulated foot Ø100 in stainless steel Pharma

Material base, rod, nut and washer in AISI 304 stainless steel, fastening plate and anti-slip device in black NBR rubber.

Characteristics: embedded fastening plate to allow the anchored foot to absorb vibrations. The slightly rounded shapes make it easy to clean.

Standard pack: 4 pieces.

State of supply depending on the version, complete with nut and washer (see table).



QUANTITY DISCOUNT

Q.ty Discounts	4+	24+	36+	72+	192+
	-	-5%	-10%	-15%	on request

Order code	Static load N	Ø d rod	Ø d1 mm	H mm	A mm	F mm	E mm	C mm	Nut and washer	Wrench mm	Rod material	Weight g	Stock	€ piece
H81-12-070	14700	M12	14	71	104	114	58	10	no	10	stainless steel	390	■	20,69
606389	14700	M12	14	71	104	114	58	10	yes	10	stainless steel	410	■	22,19
H81-12-150	14700	M12	14	138	171	114	58	10	no	10	stainless steel	440	■	22,31
606399	14700	M12	14	138	171	114	58	10	yes	10	stainless steel	460	■	23,81
H81-16-100	14700	M16	14	96	129	114	58	13	no	13	stainless steel	460	■	22,87
606409	14700	M16	14	96	129	114	58	13	yes	13	stainless steel	500	■	24,37
H81-16-150	14700	M16	14	138	171	114	58	13	no	13	stainless steel	500	■	23,65
606419	14700	M16	14	138	171	114	58	13	yes	13	stainless steel	540	■	25,15

•Products not in stock minimum order: 12 pieces, delivery in 7 days.

H100

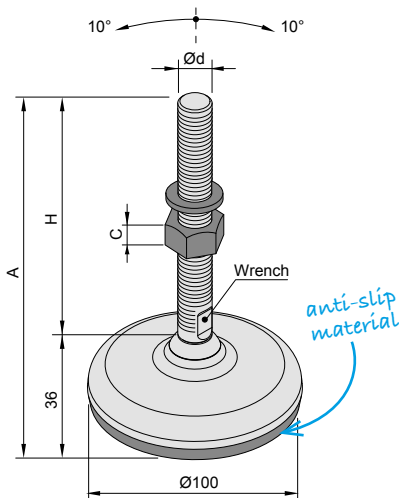
Articulated foot $\varnothing 100$ in stainless steel Pharma

Material base, rod, nut and washer in AISI 304 stainless steel, anti-slip device in black NBR rubber.

Characteristics: model with linear design with covered connection shim between the base and the pin. The slightly rounded shapes make it easy to clean.

Standard pack: 4 pieces.

State of supply depending on the version, complete with nut and washer (see table).



QUANTITY DISCOUNT

Q. ty	4+	24+	36+	72+	192+
Discounts	-	-5%	-10%	-15%	on request

Order code	Static load N	Ø d rod	H mm	A mm	C mm	Nut and washer	Wrench mm	Rod material	Weight g	Stock	€ piece
H100-16-070	19600	M16	70	106	13	no	13	stainless steel	560	▪	25,31
606509	19600	M16	70	106	13	yes	13	stainless steel	600	▪	26,81
H100-16-150	19600	M16	139	175	13	no	13	stainless steel	640	✓	26,75
606519	19600	M16	139	175	13	yes	13	stainless steel	680	✓	28,25

•Products not in stock minimum order: 12 pieces, delivery in 7 days.

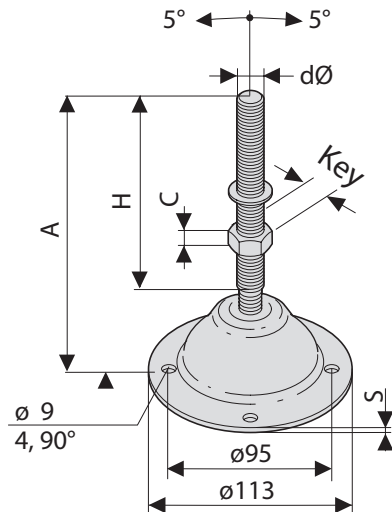
2966 Articulated foot Ø113

Use: suitable for applications on high-resistance section bars.

Material see table.

Standard pack: 8 pieces.

State of supply nut and washer (if provided, see table).



QUANTITY DISCOUNT

Q.ty	1+	4+	8+	16+
Discounts	-	-10%	-17%	on request

Order code	Static load N	Version	Ø d	A mm	H mm	C mm	S mm	Key mm	Material	Weight g	Stock	€ piece
601176	15000	-	M20	180	135	15	3,5	17	galvanised steel	620	■	13,58
601126	15000	nut and washer	M20	180	135	15	3,5	17	galvanised steel	620	■	14,80
601196	10000	-	M20	180	135	15	3	17	stainless steel	600	■	24,27
601186	10000	nut and washer	M20	180	135	15	3	17	stainless steel	600	■	21,98

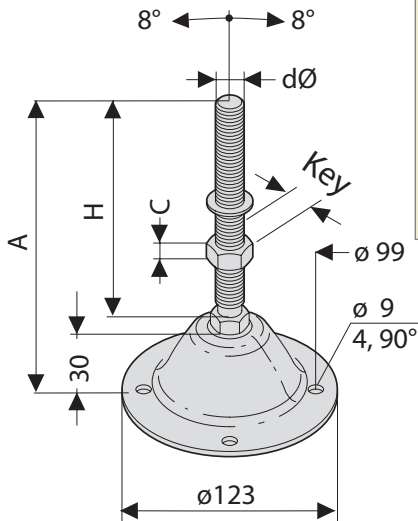
■ Products not in stock 8 pieces, delivery in 10 days.

1259

 Articulated foot **Ø123**
Use: suitable for applications on high-resistance section bars.

Material: stainless steel.

Standard pack: 8 pieces.

State of supply: complete with nut and washer.

QUANTITY DISCOUNT

Q.ty Discounts	1+	4+	8+	16+
	-	-10%	-17%	on request

Order code	Static load N	Ø d	A mm	H mm	C mm	S mm	Key mm	Material	Weight g	Stock	€ piece
664651	6000	M20	180	139	15	3	17	stainless steel	450	■	28,95

■ Products not in stock minimum order: 8 pieces, delivery in 10 days.

2021

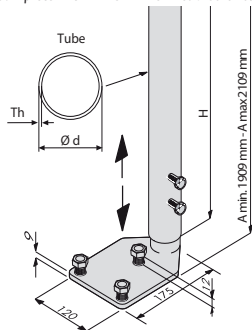
Self-supporting adjustable base in stainless steel with tube $\varnothing 48.3$

Use: suitable for quick floor-mounting of stainless steel perimeter guards (made of $\varnothing 48.3$ tube, Part 1166) without having to disassemble the modules, allowing component positioning even if floors are very uneven (± 100 mm).

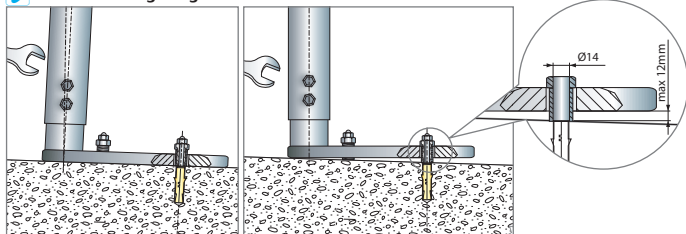
Material: AISI 304 stainless steel.

Standard pack: 1 piece.

State of supply: base complete with 3 M20 threaded bushes with 14 internal hole for anchor screws; n. 1 column with H=1900 mm complete with 2 M8x14 hex head screws.



i Possible levelling using 0 to 12mm bushes.



QUANTITY DISCOUNT

Q.ty Discounts	1+	4+	8+	16+
	-	-17%	-25%	on request

Order code	$\varnothing d$ mm	Thickness mm	H mm	Weight Kg	Stock	€ piece
669533	48,3	1,5	1900	5,30	■	430,09

■ Products not in stock minimum order: 24 pieces, delivery in 26 days.



BETT SISTEMI
Original
COMPONENTS

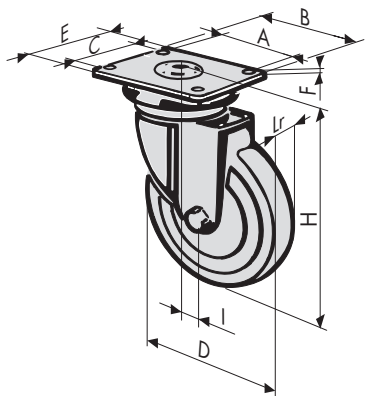


826 **Pivoting** wheel Ø100 with flange

Material wheel mount: chrome-plated steel; wheels: antistatic rubber in compliance with CEI standards and IMQ approved (Italian institute for the quality mark).

Characteristics: pivoting with flange.

Standard pack: 4 pieces.



without brake



QUANTITY DISCOUNT

Q.ty	1+	2+	4+	8+
Discounts	-	-10%	-17%	on request

Order code	Static load N	D mm	I mm	Lr mm	H mm	A mm	B mm	C mm	E mm	F mm	Weight g	Stock	€ piece
66223	785	100	42	30	134	70	100	50	70	8,5	1100	✓	13,74

827

Pivoting wheel Ø100 with flange

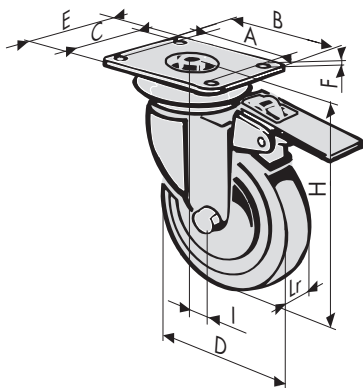
Material wheel mount: chrome-plated steel; wheels: antistatic rubber in compliance with CEI standards and IMQ approved (Italian institute for the quality mark).

Characteristics: pivoting with flange, double-acting brake (locking and rotation).

Standard pack: 4 pieces.



with brake



QUANTITY DISCOUNT

Q. ty Discounts	1+	2+	4+	8+
	-	-10%	-17%	on request

Order code	Static load N	D mm	I mm	Lr mm	H mm	A mm	B m	C mm	E mm	F mm	Weight g	Stock	€ piece
66233	785	100	42	30	134	70	100	50	70	8,5	745	✓	18,54

1732 **Pivoting wheel** with flange

Material wheel mount: pressed steel plate with galvanised finish; wheels: injection polyurethane (outside ring) and natural white polyamide (core).

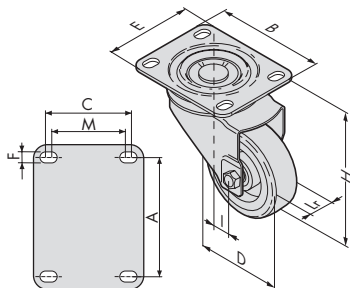
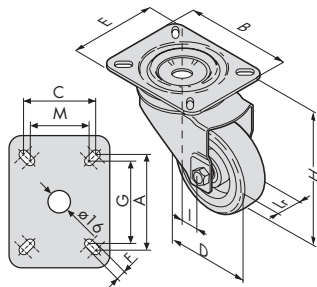
Characteristics: pivoting with flange.

Standard pack: 4 pieces.



Code 686372

Code 686382



QUANTITY DISCOUNT

Q.ty	1+	2+	4+	8+
Discounts	-	-10%	-17%	on request

Order code	Static load N	D mm	I mm	Lr mm	H mm	A mm	B mm	C mm	E mm	F mm	G mm	M mm	Weight g	Stock	€ piece
686372	1000	80	45	30	108	85	105	65	85	9	75	55	1100	✓	16,37
686382	3000	125	60	40	161	105	140	80	110	11	-	75	1300	✓	43,80

1733

Pivoting wheel with flange

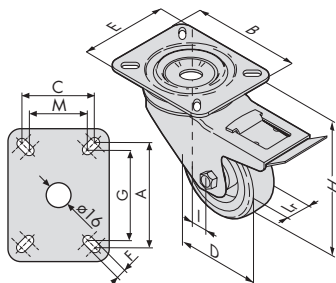
Material wheel mount: pressed steel plate with galvanised finish; wheels: injection polyurethane (outside ring) and natural white polyamide (core).

Characteristics: pivoting wheel with flange and brake.

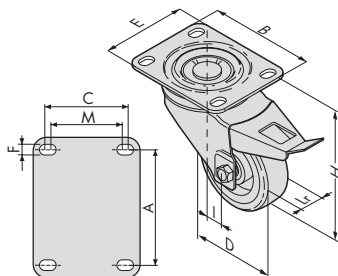
Standard pack: 4 pieces.



Code 686392



Code 686402



QUANTITY DISCOUNT

Q.ty Discounts	1+	2+	4+	8+
	-	-10%	-17%	on request

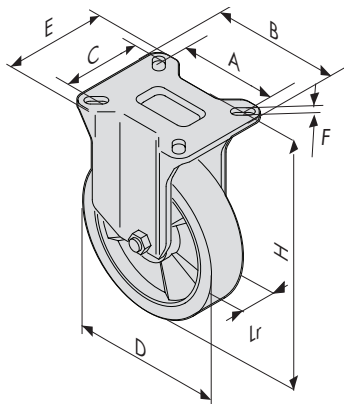
Order code	Static load N	D mm	I mm	Lr mm	H mm	A mm	B mm	C mm	E mm	F mm	G mm	M mm	Weight g	Stock	€ piece
686392	1000	80	45	30	108	85	105	65	85	9	75	55	1350	✓	22,93
686402	3000	125	60	40	161	105	140	80	110	11	-	75	1550	✓	51,29

2350 **Fixed** wheel with flange

Material wheel mount: pressed steel plate with colonial galvanised finish; wheels: injection polyurethane (outer ring) and die-cast aluminium (core).

Characteristics: fixed with flange.

Standard pack: 2 pieces.



QUANTITY DISCOUNT

Q.ty	1+	2+	4+	8+
Discounts	-	-10%	-17%	on request

Order code	Static load N	D mm	Lr mm	H mm	A mm	B mm	C mm	E mm	F mm	Weight g	Stock	€ piece
651904	3500	125	35	161	80	100	60	85	9	970	✓	33,48
690497	7500	200	50	250	105	140	80	110	11	2480	■	69,73

•Products not in stock minimum order: 2 pieces, delivery in 10 days.

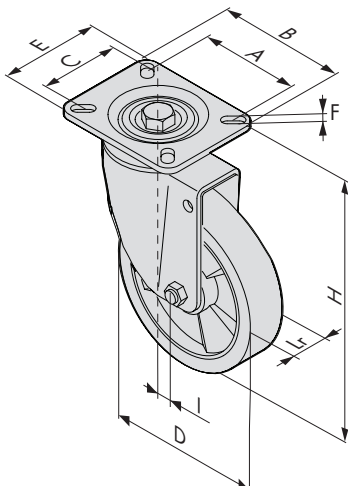
4123

Pivoting wheel with flange

Material wheel mount: pressed steel plate with colonial galvanised finish; wheels: injection polyurethane (outer ring) and die-cast aluminium (core).

Characteristics: pivoting with flange.

Standard pack: 2 pieces.


high capacity

QUANTITY DISCOUNT

Q.ty	1+	2+	4+	8+
Discounts	-	-10%	-17%	on request

Order code	Static load N	D mm	I mm	Lr mm	H mm	A mm	B mm	C mm	E mm	F mm	Weight g	Stock	€ piece
690517	3500	125	48	35	161	80	100	60	85	9	1390	■	44,66
690527	7500	200	70	50	250	105	140	80	110	11	3940	■	89,50

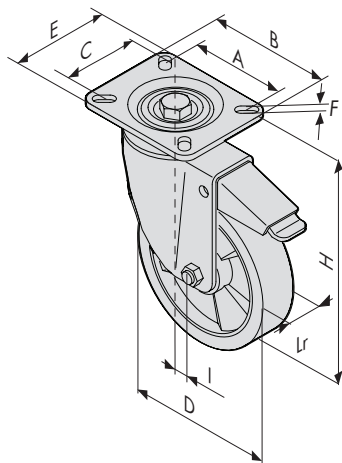
*Products not in stock minimum order: 2 pieces, delivery in 10 days

2349 **Pivoting** wheel with flange

Material wheel mount: pressed steel plate with colonial galvanised finish; wheels: injection polyurethane (outer ring) and die-cast aluminium (core).

Characteristics: pivoting with flange and front brake.

Standard pack: 2 pieces.



QUANTITY DISCOUNT

Qty Discounts	1+	2+	4+	8+
	-	-10%	-17%	on request

Order code	Static load N	D mm	I mm	Lr mm	H mm	A mm	B mm	C mm	E mm	F mm	Weight g	Stock	€ piece
651894	3500	125	48	35	161	80	100	60	85	9	1540	✓	49,59

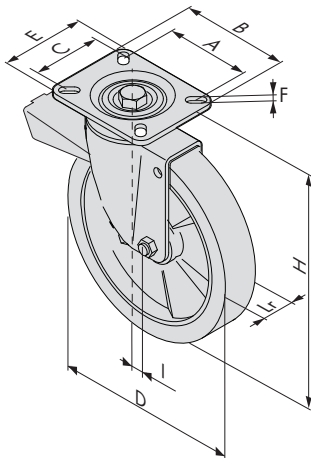
4122

Pivoting wheel with flange

Material wheel mount: pressed steel plate with colonial galvanised finish; wheels: injection polyurethane (outer ring) and die-cast aluminium (core).

Characteristics pivoting with flange and rear brake.

Standard pack: 2 pieces.



QUANTITY DISCOUNT

Q. ty Discounts	1+	2+	4+	8+
	-	-10%	-17%	on request

Order code	Static load N	D mm	I mm	Lr mm	H mm	A mm	B mm	C mm	E mm	F mm	Weight g	Stock	€ piece
690507	7500	200	70	50	250	110	140	80	105	11	4510	■	106,36

■ Products not in stock minimum order: 2 pieces, delivery in 10 days.

824 Pivoting wheel

Material wheel mount: chrome-plated steel; wheels: antistatic rubber in compliance with CEI standards and IMQ approved (Italian institute for the quality mark).

Characteristics: pivoting.

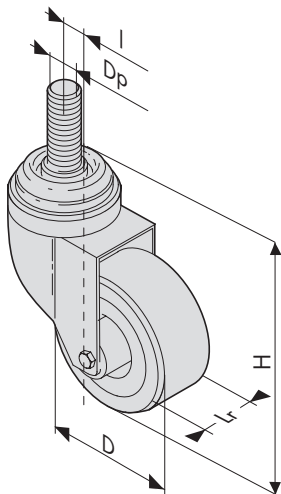
Combinations



Pg.239

Pg.241

Pg.233



QUANTITY DISCOUNT

Q.ty Discounts	1+	2+	4+	8+
	-	-10%	-17%	on request

Order code	Static load N	D mm	Lr mm	I mm	H mm	Dp	Pack	Weight g	Stock	€ piece
658171	295	50	18	16	71	M8x15	4 pcs	130	✓	4,84
66203	390	60	22	27	87	M8x17	4 pcs	310	✓	8,43
658181	490	80	22	30	107	M10x20	4 pcs	325	✓	9,58
658191	785	100	30	42	132	M10x20	4 pcs	600	✓	13,37
658201	980	125	30	43	159	M12x30	4 pcs	820	✓	14,96

Pivoting wheel

Material wheel mount: chrome-plated steel; wheels: antistatic rubber in compliance with CEI standards and IMQ approved (Italian institute for the quality mark).

Characteristics: pivoting with flange, double-acting brake (locking and rotation).

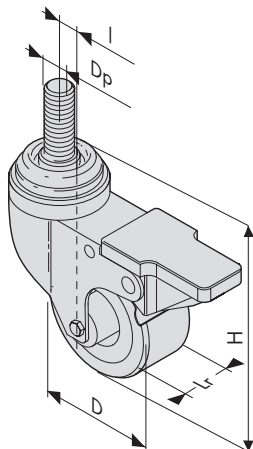
Combinations



Pg.239

Pg.241

Pg.233



with brake



QUANTITY DISCOUNT

Q.ty Discounts	1+	2+	4+	8+
	-	-10%	-17%	on request

Order code	Static load N	D mm	Lr mm	l mm	H mm	Dp	Pack	Weight g	Stock	€ piece
66263	390	60	22	27	87	M8x17	4	325	✓	10,58
658211	490	80	22	30	107	M10x20	4	380	✓	13,24
658221	785	100	30	42	132	M10x20	4	670	✓	17,32
658231	980	125	30	43	159	M12x20	4	810	✓	18,85

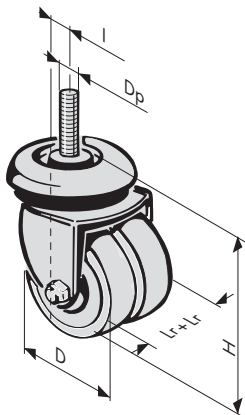
825 Twin **pivoting** wheel

Material wheel mount: chrome-plated steel; wheels: antistatic rubber in compliance with CEI standards and IMQ approved (Italian institute for the quality mark).

Characteristics: pivoting, twin.

Standard pack: 8 pieces.

Combinations



without brake



QUANTITY DISCOUNT

Q.ty	1+	4+	8+	16+
Discounts	-	-10%	-17%	on request

Order code	Static load N	D mm	Lr mm	l mm	H mm	Dp	Weight g	Stock	€ piece
66213	685	60	22+22	20	93	M8x15	630	✓	13,68

Use: to lock pivoting wheels, transforming them into fixed wheels.

Material: stainless steel.

Standard pack: 4 pieces.

Combinations **Code 672781**



Pg.230

code 658221



Pg.231

code 658191

Combinations **Code 672771**



Pg.230

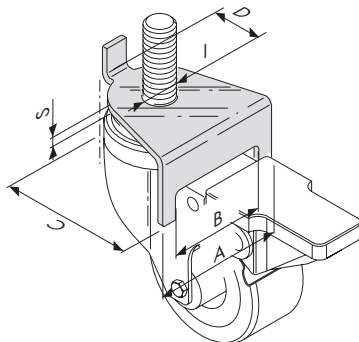
code 66203



Pg.231

code 66263

code 658181



antirotation plate

QUANTITY DISCOUNT

Q.ty	1+	2+	4+	8+
Discounts	-	-10%	-17%	on request

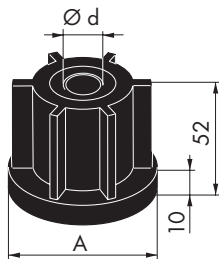
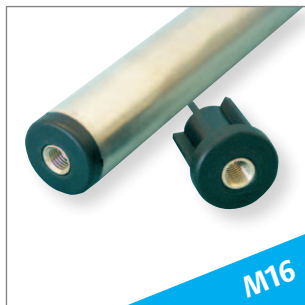
Order code	A mm	B mm	C mm	D mm	S mm	I mm	Material	Weight g	Stock	€ piece
672771	45	34,5	46,8	22,3	2,5	Ø10,5	stainless steel	38	✓	9,22
672781	54	42,3	59,3	22,3	3	Ø10,5	stainless steel	76	✓	10,97

1447 Threaded cap for tube **in inches**

Material reinforced polyamide cap, nickel-plated brass threaded insert.

State of supply complete with threaded insert.

Combinations



QUANTITY DISCOUNT

Q.ty	1+	25+	50+	100+
Discounts	-	-10%	-17%	on request

Order code	Pack	Th. tube mm	A mm	"	Ø d	Load N	Colour	Weight g	Stack	€ piece
625272	50 pz	1,5	48,3	1"½ gas	M16	5000	black RAL9005	79	✓	4,10
630357	50 pz	2	60,3	2" gas	M16	5000	black RAL9005	84	■	4,21

*Products not in stock minimum order: 50 pieces, delivery in 15 days.

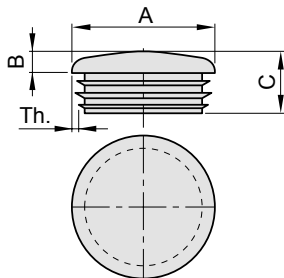
1167

End cap for tube **in inches**

Use: for end-capping.

Material: polyamide.

Standard pack: 240 pieces, (cod. 630971 pack 12 pcs).



QUANTITY DISCOUNT

Q. ty	1+	12+	48+	240+	480+
Discounts	-	-5%	-10%	-20%	contact us

Order code	A Ø	Thick. mm	B mm	C mm	Finish	Weight g	Stock	€ piece
606242	3/4 gas (26,9 mm)	1-2	4	15,5	black RAL9005	2	✓	1,13
606232	1" gas (33,7 mm)	1-2	4	15,5	black RAL9005	3	✓	1,22
628023	1" gas (33,7 mm)	1-2	4	15,5	yellow RAL1021	3	✓	1,22
696168	1" gas (33,7 mm)	1-2	5	15,5	blue RAL5015	3	✓	1,22
606222	1/4 gas (42,4 mm)	1-2	5	16,5	black RAL9005	4	✓	1,42
630971	1/2 gas (48,3 mm)	1-2	5	16,5	black RAL9005	8	✓	2,53

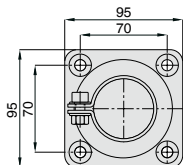
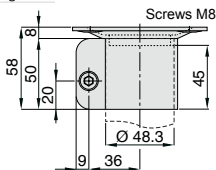
2629 Support head Ø48.3

Material stainless steel, stainless steel nuts and bolts.

Standard pack: 4 pieces.

State of supply complete with M8 nuts and bolts.

Combinations



QUANTITY DISCOUNT

Q.ty Discounts	1+	2+	4+	8+
	-	-10%	-17%	on request

Order code	Ø tube mm	Finish	Weight g	Stock	€ piece
690904	48,3	Scotch brite	350	■	24,62

■ **Products not in stock** minimum order: 25 pieces, delivery in 15 days.

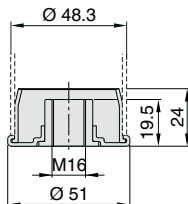
2630 Threaded cap in stainless steel for tube Ø48.3

Material AISI 304 stainless steel cap, stainless steel threaded insert.

Standard pack: 50 pieces.

State of supply complete with threaded insert.

Combinations



QUANTITY DISCOUNT

Q.ty Discounts	10+	50+	100+
	-	-15%	contact us

Order code	Static load N	Ø d threading	Ø tube mm	Weight g	Stock	€ piece
690914	7000	M16	48,3	87	■	14,62

■ **Products not in stock** minimum order: 50 pieces, delivery in 15 days.

1406

Threaded cap

for tube **25x25, thickness 1.2**

Material reinforced polyamide cap, nickel-plated brass threaded insert.

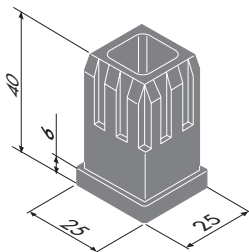
Standard pack: 50 pieces.

State of supply complete with threaded insert.

Combinations



Pg.248



QUANTITY DISCOUNT

Q. ty	1+	25+	50+	100+
Discounts	-	-10%	-17%	on request

Order code	Static load N	Ø d threading	Thickness mm	Colour	Weight g	Stock	€ piece
625242	480	M8	1,2	grey RAL7016	32	✓	4,13
618462	480	M10	1,2	grey RAL7016	32	✓	4,13

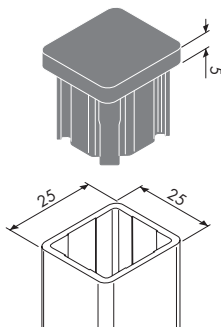
1110 End cap 25X25

Use: to close the ends of 25x25 square tubes with a thickness of 1,2 mm.

Material polyethylene.

Standard pack: 24 pieces.

Combinations



QUANTITY DISCOUNT

Q.ty	1+	12+	24+	48+
Discounts	-	-10%	-17%	-25%

Order code	Colour	Weight g	Stock	€ piece
676002	black RAL9005	5	<input checked="" type="checkbox"/>	0,83

1627

Threaded cap for tube **30x30, thickness 2**

Material reinforced polyamide cap, nickel-plated brass threaded insert.

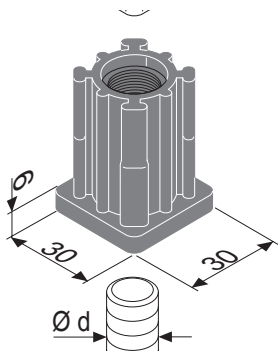
Standard pack: 50 pieces.

State of supply complete with prefitted threaded insert.

Combinations



Pg.249



QUANTITY DISCOUNT

Q.ty	1+	25+	50+	100+
Discounts	-	-10%	-17%	on request

Order code	Static load N	Ø d threading	Thickness mm	Colour	Weight g	Stock	€ piece
697772	5000	M10	2	grey RAL7016	35	✓	4,43
664652	5000	M16	2	grey RAL7016	32	✓	4,43

1628

End cap for tube **30x30**

Use: to close the ends of 30x30 square tubes. 2 mm thick.

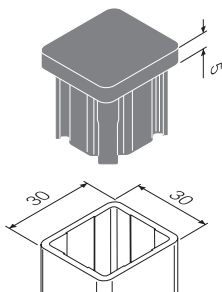
Material polyamide.

Standard pack: 240 pieces.

Combinations



Pg.249



QUANTITY DISCOUNT

Q.ty	1+	120+	240+	480+
Discounts	-	-10%	-17%	on request

Order code	Tube thickness mm	Colour	Weight g	Stock	€ piece
671912	2	grey RAL7016	8	✓	0,89
676112	2	grey RAL7039	8	✓	0,89
664662	2	black RAL9005	8	■	0,89

*Products not in stock minimum order: 1000 pieces, delivery in 15 days.

1446

Threaded cap

for tube **50x50, thickness 1.5 or 3**

Material reinforced polyamide cap, nickel-plated brass threaded insert.

Standard pack: 50 pieces.

State of supply complete with threaded insert.

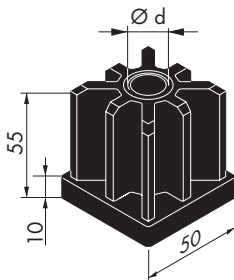
Combinations



Pg.249



threaded



QUANTITY DISCOUNT

Q.ty	1+	25+	50+	100+
Discounts	-	-10%	-17%	on request

Order code	Static load N	Ø d	Tube thickness mm	Colour	Weight g	Stack	€ piece
625262	5000	M16	1,5	black RAL9005	100	✓	4,51
652242	5000	M16	3	black RAL9005	100	✓	10,36

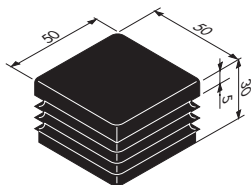
1140 End cap 50x50

Use: to close the ends of 50x50 square tubes with a thickness from 1.5 to 3 mm.

Material polyethylene.

Standard pack: 12 pieces.

Combinations



QUANTITY DISCOUNT

Q.ty	1+	6+	12+	24+
Discounts	-	-10%	-17%	on request

Order code	Tube thickness mm	Colour	Weight g	Stack	€ piece
660871	1,5÷2	black RAL9005	12	✓	2,27
641291	3	black RAL9005	12	✓	2,84

2625

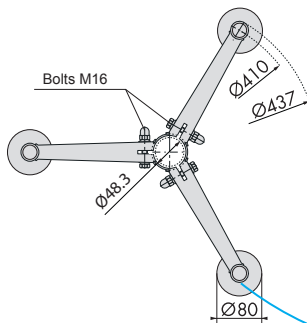
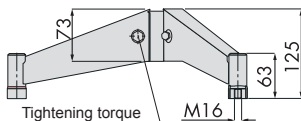
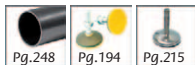
Tripod mounting base for tube $\varnothing 48,3$

Use: $\varnothing 48,3$ tube mount.

Material AISI 304 stainless steel, stainless steel nuts and bolts.

Tightening torque 80Nm.

State of supply complete with 1 base and 3 arms.

Combinations

QUANTITY DISCOUNT

Q.ty	1+	2+	4+	8+
Discounts	-	-10%	-17%	on request

Order code	Static load N	Version	Material	Weight g	Stock	€ piece
690864	80000	without feet	stainless steel	1500	■	64,66
690537	80000	with feet	stainless steel	2400	■	111,81

Products not in stock minimum order: 4 pieces, delivery in 10 days.

2645 → Tube mounting base

Use: Ø48.3 tube mount (part. 950 - 1166).

Material reinforced polyamide, M16 brass threaded bushings, stainless steel nuts and bolts.

Standard pack: 4 pieces.

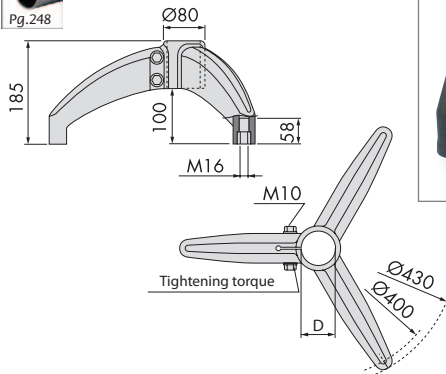
Tightening torque 35Nm.

State of supply complete with 2 M10x45 screws, 2 M10 hexagon nuts, 4 washers for M10 screw, 1 spirit level.

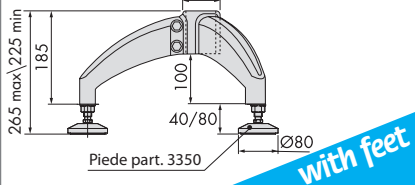
Combinations



Pg.248



Code 600295



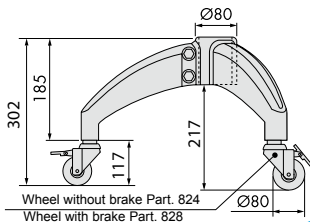
Foot material base in reinforced polyamide, anti-slip material in RAL 1006 yellow elastomer, threaded rod, AISI 304 stainless steel nut and washer.

State of supply complete with 2 M10x45 screws, 2 M10 hexagon nuts, 4 washers for M10 screw, 3 Ø80 feet with M16 rod and holes for floor-mounting.



↓ 2645 Tube mounting base

Part 673137 (without brake)
Part 673037 (with brake)



with wheels



Use: suitable for frequent movements.

Wheel material: chrome-plated steel wheel support; wheels: Antistatic rubber in compliance with CEI standards and IMQ approved.

State of supply: complete with 2 M10x45 screws, 2 M10 hexagon nuts, 4 washers for M10 screw, 3 reduction bushes for M16 to M10, 3 Ø80 pivoting wheels with brake.



QUANTITY DISCOUNT

Q.ty Discounts	1+	2+	4+	8+
	-	-10%	-17%	on request

Order code	D mm	Static load N	Extraction force N	Spirit level	Version	Colour base	Weight g	Stock	€ piece
600285	48,3	15800	4000	yes	base only	grey RAL7016	1050	✓	42,18
600295	48,3	15800	4000	yes	with feet	grey RAL7016	1710	✓	68,34
673137	48,3	1470	4000	yes	with wheels	grey RAL7016	2250	✓	108,97
673037	48,3	1470	4000	yes	wheels with brake	grey RAL7016	2190	✓	120,65
690817	60,3	15800	9600	no	base only	black RAL9005	1050	■	42,18
600305	60,3	15800	9600	no	with feet	black RAL9005	1710	✓	68,34
690827	60,3	1470	9600	no	with wheels	black RAL9005	2250	■	108,97
690837	60,3	1470	9600	no	wheels with brake	black RAL9005	2190	■	120,65

•Products not in stock: minimum order: 8 pieces, delivery in 10 days.

2631 → Profile mounting base 45x45

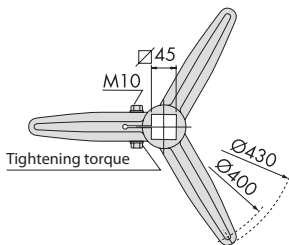
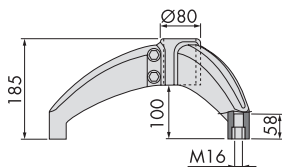
Use: 45x45 section bar support.

Material: reinforced polyamide, M16 brass threaded bushings, galvanised steel nuts and bolts.

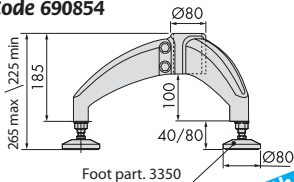
Standard pack: 4 pieces.

Tightening torque: 35Nm.

State of supply: complete with 2 M10x45 screws, 2 M10 hexagon nuts, 4 washers for M10 screw.



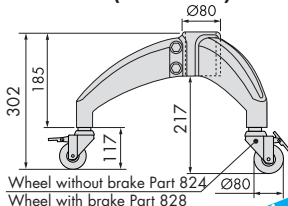
↓ 2631 Profile mounting base 45x45

Code 690854

with feet


Foot material base in RAL 7016 grey reinforced polyamide, anti-slip material in RAL 1006 yellow elastomer, threaded rod, galvanised steel nut and washer.

State of supply complete with 2 M10x45 screws, 2 M10 hexagon nuts, 4 washers for M10 screw, 3 Ø80 feet with M16 rod and holes for floor-mounting.

Part 673127 (without brake)
Part 673027 (with brake)


with wheels


Use: suitable for frequent movements.

Wheel material chrome-plated steel wheel support; wheels: Antistatic rubber in compliance with CEI standards and IMQ approved.

State of supply complete with 2 M10x45 screws, 2 M10 hexagon nuts, 4 washers for M10 screw, 3 reduction bushes for M16 to M10, 3 Ø80 pivoting wheels with brake.

QUANTITY DISCOUNT

Q. ty Discounts	1+	2+	4+	8+
	-	-10%	-17%	on request

Order code	Static load N	Extraction force N	Version	Colour base	Weight g	Stock	€ piece
690844	15800	4000	-	grey RAL7016	1040	✓	42,18
690854	15800	4000	with feet	grey RAL7016	1700	✓	60,74
673127	1470	4000	with wheels	grey RAL7016	2240	✓	101,37
673027	1470	4000	wheels with brake	grey RAL7016	2180	✓	113,06

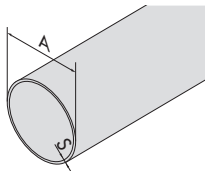
2012 Steel connection tube

stainless steel

Use: for perimeter safety guards in general and for floor-mounted columns.

Material: AISI 304 stainless steel.

Standard pack: 2 X 6 M.



QUANTITY DISCOUNT

Q.ty Discounts	1+	2+	4+	8+
	-	-10%	-17%	on request

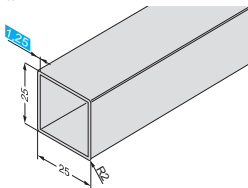
Order code	S mm	A mm	Finish	Weight g/mt	Stock	€ piece
630951	1,5	48,3	brushed	1760	✓	140,34
637481	2	60,3	brushed	2920	✓	191,34

Personalizations: diameter D1 on request; the tubes can be supplied cut to size and bevelled (€ 3 per cut) and delivered in kits.

1001 Square tube 25X25

Use: in combination with the connection joints, to construct safety guards in general for the food and pharmaceutical sector.

Material: see table.



QUANTITY DISCOUNT

Bar 3 m	1+	8+	16+	32+
Bar 6 m	1+	4+	8+	16+
Discounts	-	-10%	-17%	on request

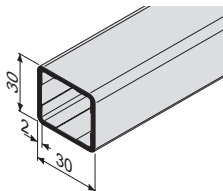
Order code	Pack	S mm	Material	Finish	Weight g/mt	Stock	€ piece
66866	8 x 3 m	1,2	stainless steel	Scotch brite	910	✓	34,05
66506	8 x 6 m	1,2	stainless steel	Scotch brite	910	✓	66,24
641211	12 x 3 m	1,25	aluminium	anodised 15µm	320	✓	23,67
624002	12 x 6 m	1,25	aluminium	anodised 15µm	320	✓	36,72

1614
Square 30x30

Use: for perimeter safety guards in general and for floor-mounted columns.

Material: aluminium.

Standard pack: 15 X 6 M.


QUANTITY DISCOUNT

Q.ty Discounts	1+	8+	15+	30+
	-	-10%	-17%	on request

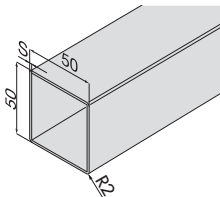
Order code	Finish	Weight g/m	Stock	€ piece
664502	anodised 15µm	570	✓	41,10
611513	elox	570	✓	47,22

1126
Square tube 50x50

Use: for perimeter safety guards in general and for floor-mounted columns.

Material: AISI 304 stainless steel.

Standard pack: 2 X 6 M.


QUANTITY DISCOUNT

Q.ty Discounts	1+	2+	4+	8+
	-	-10%	-17%	on request

Order code	S mm	Finish	Weight g/m	Stock	€ piece
69997	3	Scotch brite	4650	■	207,72
650801	1,5	Scotch brite	2330	✓	141,78

■ Products not in stock minimum order 12 metres, delivery in 10 days.

BETT SISTEMI
Original
COMPONENTS



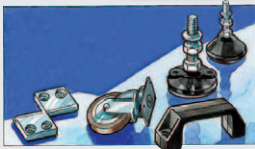


KanBan



- **In loose parts**

The ideal solution for those who occasionally construct guards or structures and do not want to stock materials.



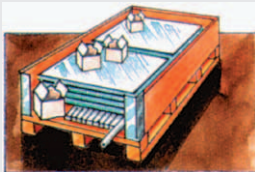
- **In standard packs**

The ideal solution for those who need to construct many different structures.



- **In kits**

We supply all the components (profiles, panels cut to size) and the disassembled accessories, together with the assembly drawing. This is the ideal solution for those who use their own manpower and do not want to keep needless stock or run the risk of errors during construction, while having the advantage of one supplier.



- **KanBan**

KanBan is a Japanese word that literally means "signboard". This term stands for one of the elements of the Just-in-Time system aimed at replenishing stock as it is used. The KanBan, which shows the type of material used for a specific process, is affixed on a standard container that is reused once it is empty. The real-time supply flow avoids stock-piling and the costs incurred in connection with the use of throwaway packaging.



- **Benefits for the customer**

- Reduced stock
- Fast response to changes in demand
- Reduced packaging costs by using reusable containers
- Energy recovery
- Simplified scheduling
- Lower management costs

- **Agreements and definitions**

- Replenishment area
- Container, container parts, container label with bar code

- **Flows**

- Consumption estimates
- Delivery documents
- Inventory

- **Customer activities**

- Stock monitoring

- **Supplier activities**

- Forecast consumption order management
- Quality management
- Empty container retrieval management
- Stock replenishment management
- Obsolete stock retrieval (standard items)

- **Conclusions**

Over the years, BETT SISTEMI has gained the experience to manage the KanBan supply. For this reason, it is the ideal partner to satisfy your warehouse restocking requirements.

Consignment Stock



- **Consignment stock**

Using consignment stock, the supplier transfers his goods to the customer, who can use the stock at any time based on his requirements.

Only after the customer has actually used the stock:

- ownership of the goods is transferred from the supplier to the customer
- the supplier issues an invoice for the goods actually used.



- **Benefits for the customer**

- Reduced stock
- Reduced management costs
- Restocking is managed by the supplier
- Payment of actual consumption

- **Agreements and definitions**

- Reserved warehouse area
- Warehouse shelf labelling (barcode)
- Customer and supplier part number matching
- Package, pieces per package, box label bearing the customer's part number in barcode
- Restocking times and procedures



- **Flows**

- Consumption estimates (provisional orders)
- Consignment stock delivery documents
- Withdrawal documents generated through barcode readers
- Withdrawal invoicing
- Inventory



- **Customer activities**

- Stock monitoring
- Withdrawals read with barcode readers
- Managerial control of the consignment stock on the portal made available by the supplier.

- **Customer hardware**

- Personal computer with Internet access

- **Supplier activities**

- Provisional consumption order management
- Quality management
- Service management
- Stock replenishment management
- Obsolete stock retrieval (standard items)

- **Hardware and software provided by the supplier**

- Barcode readers
- Consignment stock portal where the customer manages stock, consumption, invoices due, delivery estimates, etc.

- **Conclusions**

Over the years BETT SISTEMI, has attained the know-how and proper philosophy to manage the consignment stock supply process and is hence the ideal partner to satisfy your warehouse restocking requirements.



Resistance to chemical agents

Bett Sistemi components may be used in contact with chemical substances used in normal operating conditions.

Carefully avoid acids with a pH < 4, bases with a pH > 9, and prolonged exposure to chlorinated hydrocarbons such as trichloroethylene.

The following table specifies the resistance to the various chemical agents of the individual materials. The concentration and the form of some of these substances may cause different reactions.

Chemical agent	Material																			
	Anodised aluminium		Galvanised steel		AISI 303 stainless steel		AISI 304 stainless steel		AISI 316 stainless steel		AISI 430F stainless steel		Nickel-plated steel / brass		Resafon®		Adiprene		Shockproof acrylic	
	%	23°C	%	23°C	%	23°C	%	23°C	%	23°C	%	23°C	%	23°C	%	23°C	%	23°C	%	23°C
Vinegar		●		●		●		●		●		●		●		●		●		●
Acetone	50	●		○	50	●	50	●	100	●	100	●		●	100	●		●		○
Acetic acid	20	●		○	20	●	20	●	20	●	20	○		●	5	○	sol. 20	●	10	●
Boric acid	100	●		○	100	●	100	●	100	●	100	●		●	5	○		●		●
Butyric acid	5	●		○	5	●	5	●	5	●	5	●		●	10	○		●		5
Citric acid	5	●		○	5	●	5	●	5	●	5	●		○	10	●		●		●
Hydrochloric acid		○		○		○		○		○		○		●	2.5	●	20	●	40	●
Hydrofluoric acid		○		○		○		○		○		○							40	●
Formic acid	5	○		○	5	●	5	●	5	●	5	○		●	90	○		●		○
Phosphoric acid	10	○		○	10	○	10	○	10	●	10	○		○	5	○	20	○	10	●
Lactic acid	5	●		○	5	●	5	●	5	●	5	●		○	10	●		●		10
Nitric acid	10	●		○	10	●	10	●	10	●	10	●		○	10	○	10	○	20	●
Oleic acid	100	●		○	100	●	100	●	100	●	100	●		●				●		●

● = good resistance

● = medium resistance

○ = poor resistance

		Material														Chemical agent								
		Polycarbonate		ABS		Laminare		Polyamide		Polypropylene		Polyethylene PE		Polyethylene HDPE			Polyurethane		Rubber		Polyacetal		PVC	
		%	23°C	%	23°C	%	23°C	%	23°C	%	23°C	%	23°C	%	23°C	%	23°C	%	23°C	%	23°C	%	23°C	
							●		●		●		●				○		●		●		Vinegar	
			○		○		●	100	●		●		●				○		○		●	5	●	Acetone
		20	●		5	●	●	Sol. 10	○		●	10	●			Sol. 10	○		○	5	○	10	●	Acetic acid
							●	Sol. 10	○		40	●	Sat.	●		Sat.	●	Sol.	●				●	Boric acid
			○				●		○	Sat.			●				○				○	1	●	Butyric acid
					10	●	●	Sol. 10	●		●		●			●		●		●			●	Citric acid
					10	●		Sol. 10	○	Sol. 10	●	37	●			Sol. 30	○	Sol. 10	●	37	○	36	●	Hydrochloric acid
								Sol. 40	○	○	30	●	70	●				65	○		●	3	●	Hydrofluoric acid
		30	○		10	●		○	10	○	40		10	●		10	○			10	○	2.5	●	Formic acid
					10	●		Sol. 10	○			●	95	●		Sol. 20	●	Sol. 20	●	10	○		●	Phosphoric acid
					10	●		Sol. 10	●	Sol. 85	●		●				○	Sol.	●		●	85	●	Lactic acid
							○	10	○	Sol. 20	●	5	●				Sol. 10	○	5	○	25	●	●	Nitric acid
					●		●	100	●		●		●				●		●					Oleic acid

● = good resistance

◐ = medium resistance

○ = poor resistance



Resistance to chemical agents

Chemical agent	Material																			
	Anodised aluminium		Galvanised steel		AISI 303 stainless steel		AISI 304 stainless steel		AISI 316 stainless steel		AISI 430F stainless steel		Nickel-plated steel / brass		Resafon®		Adiprene		Shockproof acrylic	
	%	23°C	%	23°C	%	23°C	%	23°C	%	23°C	%	23°C	%	23°C	%	23°C	%	23°C	%	23°C
Sulphuric acid	10	●		○	10	○	10	○	10	●	10	○		●	30	○			40	●
Tartaric acid	10	●		○	10	●	10	●	10	●	10	●		○				●	50	●
Chlorinated water		○		○		○		○		●		○			5	●				●
Distilled water	10	●		●												●				
Fresh water		●		●		●		●		●		●		●		●				●
Sea water		●		○		●		●		●		○		●		●				
Oxygenated water	30	○		○	30	●	30	●	30	●	30	●		●					40	●
Turpentine		●		●		●		●		●		●								
Water and soap		●		●		●		●		●		●				●				
Alkylphenol ethoxylate																				
Ethyl alcohol	10	●		●	10	●	10	●	10	●	10	●		●				○		
Methyl alcohol	100	●		○	100	●	100	●	100	●	100	●		○						○
Ammoniac	50	●		○	50	●	50	●	50	●	50	●		○	100	○		●		●
Aniline	3	●		●	3	●	3	●	3	●	3	●								
Benzene	70	●		○	70	●	70	●	70	●	70	●			100	●				
Benzene		●		○		●		●		●		●		●	100	●				●
Benzol		●		○		●		●		●		●		●	100	●		○		○
Non-alcoholic drinks		●		●		●		●		●		●				●				
Beer		●		○		●		●		●		●		●		●				●
Butter		●		●		●		●		●		●		●		●				
Sodium carbonate	5	●		●	5	●	5	●	5	●	5	●			2	●			Sat.	●
Chloroform	100	●		●	100	●	100	●	100	●	100	●		●	100	●				○

● = good resistance

◐ = medium resistance

○ = poor resistance

		Material														Chemical agent										
		Polycarbonate		ABS		Laminate		Polyamide		Polypropylene		Polyethylene PE		Polyethylene HDPE			Polyurethane		Rubber		Polyacetal		PVC			
		%	23°C	%	23°C	%	23°C	%	23°C	%	23°C	%	23°C	%	23°C	%	23°C	%	23°C	%	23°C	%	23°C			
				10	●		○	Sol. 10	○	Sol	●	40	●					Sol	○	40	○		●	Sulphuric acid		
				30	●		●		●	98	●		●				10	●	Sol	●	30	●		●	Tartaric acid	
							●		●	10	○		○									○	0.3	●	Chlorinated water	
							●		●		●		●				●		●	●	●	●		●	Distilled water	
							●		●		●		●				○		●	●	●	●		●	Fresh water	
							●		●		●		●					●	●	●	●	●		●	Sea water	
				10	●		●	Sol. 3	○	30	●		●					Sol. 80	○		○	30	●	●	Oxygenated water	
							●		●		○		○					○		○	○			●	Turpentine	
							●		●		●		●					●		●	●			●	Water and soap	
																								○	Alkylphenol ethoxylate	
		96	●	96	●	15	●												○						●	Ethyl alcohol
							●		●	100	●		●					○		○						Methyl alcohol
		Sol.	○	10	●		●		●	10	●	30						○	Sol.	●	Sol.	●	○		○	Ammoniac
							●		●		●		●					○		○	3	●			○	Aniline
							●		●		●		●					○		○					○	Benzene
							●		●		●		●					○		○					○	Benzene
							○		○		●		●					○		○					○	Benzol
							●		●		●		●												●	Non-alcoholic drinks
							●		●		●		●					●		●	●	●			●	Beer
							●		●		●		●					○		○	○	○			●	Butter
							●		●		●		●					Sol. 10	●	Sol.	●	●			●	Sodium carbonate
							○		○		●		○					○		○	○	○			○	Chloroform

● = good resistance

◐ = medium resistance

○ = poor resistance



Resistance to chemical agents

Chemical agent	Material																	
	Anodised aluminium		Galvanised steel		AISI 303 stainless steel		AISI 304 stainless steel		AISI 316 stainless steel		AISI 430F stainless steel		Nickel-plated steel / brass		Adiprene		Shockproof acrylic	
	%	23°C	%	23°C	%	23°C	%	23°C	%	23°C	%	23°C	%	23°C	%	23°C	%	23°C
Calcium chloride	10	●		○	10	○	10	○	10	○		●	5	○				●
Ethyl chloride		●		○		●		●		●		●		●				○
Methylene chloride		●		○		●		●		●			100	●				
Sodium chloride	5	●		○	5	●	5	●	5	●	5	●	●	10	●			●
Thinners*		●		●		●		●		●		●	100	●				○
Ethyl ether		●		●		●		●		●		●		●				○
Petroleum ether		●		●		●		●		●		●		●				○
Formaldehyde	100	●		●	100	●	100	●	100	●	100	●			3	●		
Glycerine		●		●		●		●		●		●			7	●		●
Food fats		●		●		●		●		●		●	5	●				
Sodium hypochlorite		○		○		○		○		○		●						●
Potassium Hydroxide																		
Milk		●		●		●		●		●		●		●				
Mercury		●		○		●		●		●		●		●		●		
Food oils		●		●		●		●		●		●		●				
Mineral oils		●		●		●		●		●		●		●		●		●
Vegetable oils		●		●		●		●		●		●		●				
Oxonia																		
Paraffin		●		●		●		●		●		●		●				
Petroleum		●		●		●		●		●		●		●				

* standard composition: xylol + toluene

.. raw aluminium ●

● = good resistance

● = medium resistance

○ = poor resistance

		Material														Chemical agent							
		Polycarbonate		ABS		Laminata		Polyamide		Polypropylene		Polyethylene PE		Polyethylene HDPE			Polyurethane		Rubber		Polyacetal		PVC
		%	23°C	%	23°C	%	23°C	%	23°C	%	23°C	%	23°C	%	23°C	%	23°C	%	23°C	%	23°C	%	23°C
						●	10	●	Sol. 50	●	Sat.	●					Sol.	●			●		Calcium chloride
						●	100	●		○		○									○		Ethyl chloride
			○			●	Sol. 100	●		●		●			○		○		○		○		Methylene chloride
			20	●		●	10	●	Sol. Sat.	●		●			Sol. 10	○	Sol.	●		●		●	Sodium chloride
			○			●		●		○		●			○		○		●		○		Thinners*
		○				●	100	●		●		●			○					○		○	Ethyl ether
						●	Sol. 30	●	Sol. 40	●		●								●		○	Petroleum ether
			4	●		●		●		●		●								●		○	Formaldehyde
			0	●		●		●		●		●			○		●		●		●		Glycerine
						●	Sol.	●	Sol. 20	●		●				Sol.	●						Food fats
						●		○		●		●					○		○		○		Sodium hypochlorite
						●		●		●		●			○					0.01	●		Potassium Hydroxide
				●		●		●		●		●			●		●		●		●		Milk
				●		●		●		●		●			●		●		●		●		Mercury
				●		●		●		●		●			●		●		●		●		Food oils
				●		●		●		●		●			●		●		●		●		Mineral oils
						●		●		●		●			●		●		●		●		Vegetable oils
						●	1	○		●		●					○		○		●		Oxonia
						●		●		●		○			●		●		●		●		Paraffin
						●		●		○		○			●		●		●		●		Petroleum

● = good resistance

◐ = medium resistance

○ = poor resistance



Resistance to chemical agents

Chemical agent	Material											
	Anodised aluminium	Galvanised steel	AISI 303 stainless steel	AISI 304 stainless steel	AISI 316 stainless steel	AISI 430F stainless steel	Nickel-plated steel / brass	Resafon®	Adiprene	Shockproof acrylic		
	% 23°C	% 23°C	% 23°C	% 23°C	% 23°C	% 23°C	% 23°C	% 23°C	% 23°C	% 23°C	% 23°C	% 23°C
Tomato (sauce) pH4	●●											
Brine	○	○					○					
Caustic soda	○	○	●	●	●	●	●	●	●		2	●
Fruit juices	●	●					●		●			●
Vegetable juices	●	●	●	●	●	●	●		90	●		
Copper sulphate 5	●	○	5 ●	5 ●	5 ●	5 ●	●					
Sodium sulphate	●	○	5 ●	5 ●	5 ●	5 ●	●	10	●			●
Carbon sulphide 10	●	○	●	●	●	●	●	0	●			○
Carbon tetrachloride	○	○	10 ○	10 ○	10 ○	10 ○	●		●	○		○
Iodine dye	○	●					●	○	●			
Trichloroethylene	●	●	●	●	●	●	●		●			
Vaseline	●	●							●			●
Wine	●	●	●	●	●	●	●	10	●			●
Whisky	100 ●	●	●	●	●	●	●	0	●			○
Xylol	●	●	●	●	●	●	●	●	●			

● = good resistance

● = medium resistance

○ = poor resistance



Material														Chemical agent
Polycarbonate	ABS	Laminate	Polyamide	Polypropylene	Polyethylene PE	Polyethylene HDPE	Polyurethane	Rubber	Polyacetal	PVC				
% 23°C	% 23°C	% 23°C	% 23°C	% 23°C	% 23°C	% 23°C	% 23°C	% 23°C	% 23°C	% 23°C	% 23°C	% 23°C	% 23°C	
														Tomato (sauce) pH4
			●	Sol. 10	52	●				●			●	Brine
5	○		○	●	●	25	●	○	●	25	○	●	●	Caustic soda
		●	●	●	●	●	●					●		Fruit juices
			●	Sol. 10	●	Sol.	●					●		Vegetable juices
			●	Sol. 10		Sol.	●	○				●		Copper sulphate
			●	100	●	●	●	10	●			●	●	Sodium sulphate
	○	○	●	●	●					○	●			Carbon sulphide
		○	○	●	○	●	●			○	●		○	Carbon tetrachloride
			●	●	●	●	●	○						Iodine dye
			●	●	●	●	●			○			○	Trichloroethylene
		●	●	●	●	●	●			●				Vaseline
	○		●	●	●	●	●			●	●			Wine
				●	○	●	●			●				Whisky
				●	○	●	●	○		○	●		○	Xylol

● = good resistance

◐ = medium resistance

○ = poor resistance

- **Microball-blasting**
- **Electropolishing**
- **Mirror polishing**
- **Chemical nickel-plating**

Standard finishes

- Anodizing: natural 15 μm silver-coloured
- Elox 15 μm = titanium-shade electrocolouring (check stock availability in the product tables)

Other finishes on request

- **Painting RAL on choice of the customer**

Price and code on request.

The minimum quantity is 100 pieces per colour (for lower quantities a lump sum of € 45.00 will be added and the estimated delivery is 10 days from order acceptance).

- **Ball polishing**

Price and code on request.

Available for a minimum quantity of 50 piecePg.

For lower quantities, a lump sum of € 45.00 will be added and the estimated delivery is 10 days from order acceptance.

- **Chemical nickel-plating**

It is more resistant and functional than electrolytic nickel-plating and **does not flake** (used in the food industry)

More resistant to oxidation (used in the beverage industry)

Price and code on request.


Available for a minimum quantity of **50 piecePg.**

For lower quantities, a lump sum of € 45.00 will be added.

Estimated delivery is 15 days from order acceptance.



Part.		Part.		Part.		Part.					
800	p.	137	1406	p.	237	2035	p.	114	2865	p.	36
812	p.	43	1411	p.	104	2048	p.	91	2943	p.	208
813	p.	37	1412	p.	105	2074	p.	94	2948	p.	90
824	p.	230	1414	p.	34	2075	p.	95	2949	p.	145
825	p.	232	1423	p.	41	2087	p.	92	2950	p.	142
826	p.	222	1437	p.	51	2091	p.	126	2966	p.	218
827	p.	223	1438	p.	173	2126	p.	54	3344	p.	50
828	p.	231	1445	p.	188	2127	p.	58	3349	p.	206
835	p.	44	1446	p.	241	2136	p.	183	3350	p.	200
845	p.	176	1447	p.	234	2148	p.	56	3709	p.	138
867	p.	45	1453	p.	48	2323	p.	165	3711	p.	182
873	p.	175	1472	p.	66	2328	p.	180	3742	p.	196
912	p.	28	1492	p.	52	2349	p.	228	3743	p.	190
938	p.	174	1501	p.	194	2350	p.	226	3744	p.	202
938 R	p.	174	1503	p.	204	2439	p.	192	3848	p.	89
942	p.	173	1504	p.	198	2442	p.	63	4095	p.	143
943	p.	175	1552	p.	53	2532 A	p.	69	4102	p.	93
967	p.	46	1554	p.	212	2532 B	p.	74	4109	p.	150
969	p.	172	1555	p.	210	2532 C	p.	75	4116	p.	128
1001	p.	248	1586	p.	98	2532 D	p.	78	4117	p.	129
1110	p.	238	1614	p.	249	2532 E	p.	76	4118	p.	144
1122	p.	181	1627	p.	239	2532 F	p.	72	4120	p.	135
1126	p.	249	1628	p.	240	2532 G	p.	70	4122	p.	229
1134	p.	209	1645	p.	40	2532 H	p.	77	4123	p.	227
1140	p.	242	1666	p.	161	2532 I	p.	79	4127	p.	35
1146	p.	168	1669	p.	39	2532 J	p.	71	4128	p.	60
1152	p.	64	1683	p.	171	2532 K	p.	73	4156	p.	216
1160	p.	30	1700	p.	213	2532 L	p.	80	4194	p.	118
1167	p.	235	1701	p.	211	2544	p.	162	4195	p.	120
1259	p.	219	1732	p.	224	2596	p.	107	4237	p.	147
1263	p.	159	1733	p.	225	2599	p.	179	4238	p.	146
1264	p.	160	1768	p.	108	2625	p.	243	4292	p.	100
1265	p.	154	1769	p.	109	2626	p.	215	4293	p.	102
1281	p.	156	1770	p.	109	2629	p.	236	8030	p.	134
1284	p.	233	1777	p.	166	2630	p.	236	ILT	p.	136
1287	p.	32	1791	p.	42	2631	p.	246	WP RE	p.	217
1332	p.	164	1844	p.	178	2636	p.	68			
1333	p.	163	1845	p.	177	2637	p.	116			
1374	p.	106	1848	p.	149	2638	p.	110			
1375	p.	88	1877	p.	62	2639	p.	112			
1378	p.	158	1902	p.	122	2645	p.	244			
1379	p.	84	1931	p.	124	2653	p.	127			
1382	p.	96	1995	p.	38	2687	p.	140			
1391	p.	86	2012	p.	132	2688	p.	141			
1399	p.	130	2012	p.	248	2689	p.	148			
1400	p.	131	2021	p.	220	2848	p.	214			

 Resistance to chemical agents p.256



GENERAL CONDITIONS OF SALE

1 – APPLICATION AND ENFORCEABILITY OF THE GENERAL CONDITIONS OF SALE

These general conditions of sale are systematically sent or delivered to purchasers to enable them to transmit their orders. Consequently, passing an order to BETT SISTEMI entails the purchaser's full acceptance of these conditions of sale, with no reservations whatsoever, with the exclusion of any further documents such as catalogues or brochures published by the seller, provided strictly for information purposes and having a purely indicative nature; this shall apply regardless of any provisions to the contrary shown in the client's order forms. Any conditions other than those relating to the specifications of those parts to be made to measure (customised) established by the purchaser shall therefore - unless expressly approved - be unenforceable on the seller, regardless of the time or moment they are communicated.

Only the specifications of the parts to be customised can supplement these general conditions of sale.

Any failure on the part of the seller to enforce any of the following provisions at any time shall not be construed as a waiver of any right at any future time.

2 – ORDER

The order must be transmitted by the client in writing to BETT SISTEMI. Any telephone orders shall therefore need to be confirmed in writing by the client within 24 hours of the call. Failure to do so will cause the order not to be taken into consideration. The sales contract will be considered valid and therefore perfected and final only upon acceptance of the order by BETT SISTEMI. As evidence of acceptance by BETT SISTEMI, the latter shall send the client an order confirmation.

Any changes by BETT SISTEMI to the clients' Orders, shown in the confirmation letter sent to the client, shall be considered accepted by the same should the client fail to send any written observations within 24 hours.

Orders for an amount below 40 euros, VAT not included, will not be accepted.

3 – CHANGES TO THE ORDER

Any changes or cancellations of the order requested by the client will be taken into consideration only where made in writing, and received prior to dispatch of the products (standard products) or to the start of production (customised or made-to-measure products) and if expressly accepted by BETT SISTEMI via fax, to be sent to the client within 24 hours of the request for change. Should any of the conditions not be complied with, the products initially ordered shall be delivered as originally agreed and shall have to be paid for aforesaid.

4 – PRICE

All prices shown in our catalogue are non-inclusive of VAT. Value added tax at the applicable rate and transport expenses shall therefore be added (for orders amounting to less than 80 Euros, VAT excluded).

Unless otherwise agreed, products are sold at the price applicable at the time of the order. The prices for the products mentioned in the catalogue are those applicable at the date of publication of the aforementioned catalogue, shown on the cover. Prices may be changed at any time.

5 - DELIVERY - PROCEDURES - TERMS

A – TERMS

Parts already in stock at the time of order acceptance may be available or dispatched within a maximum time-frame of 72 hours as of our acceptance (payment by bank wire transfer or PayPal); in the case of payments by bank wire transfer, the parts already in stock may be available or dispatched after 72 hours minimum as of our acceptance.

As for parts in the catalogue that are not in stock at the time of acceptance of the order or for special parts, an indication of the lead time will be communicated upon order acceptance.



compensation for damages, non-payments or cancellations of open orders, regardless of the causes, gravity and consequences of the delay. BETT SISTEMI shall be relieved from all delivery obligations in the case of force majeure events such as, by way of example and not limited thereto, wars, riots, fire, strikes, natural disasters, impossibility to receive supplies.

B – DELIVERY

Unless otherwise agreed, the products shall be delivered directly to the client, at the works of BETT SISTEMI in Correggio 42015 (Italy) or to the carrier chosen by BETT SISTEMI or the same client.

Products are sold ex works Correggio 42015 Italy (works of BETT SISTEMI) and they are transported at the risk of the recipient in derogation to the retention of title clause of BETT SISTEMI, shown hereinafter.

Unless otherwise expressly agreed, transport shall be ex-works, at the client's expense, by the carrier chosen by BETT SISTEMI, or failing that, by the carrier chosen by the same client.

Should any damage or failure occur during transport, it will be the client's responsibility to make all the necessary claims and objections within 8 days of receipt of the goods (as shown at the bottom of the sale invoice).

BETT SISTEMI shall be entitled to make partial deliveries.

C – RECEIPT

Without prejudice to the provisions vis-à-vis the carrier, complaints regarding visible defects or non-conformity of the product delivered, of the product ordered or the dispatch note, shall be made in writing by and not later than thirty days following the arrival of the products, on pain of forfeiture of the same right.

The purchaser shall provide valid grounds to prove the existence of the actual defect or anomaly ascertained. The purchaser shall allow the seller to ascertain the existence of the said defects and to provide a remedy. The purchaser shall refrain from intervening directly or from causing third parties to intervene to that end.

By way of warranty, the only obligation for the seller shall involve the replacement, free of charge, or the repair of the product or the item recognised to be defective through its own service. Products covered by a warranty shall first be submitted to the seller's after-sales service for examination, this department's approval being required for any replacement to be granted. Transport expenses shall be charged to the purchaser if the warranty is not applicable.

6 - PAYMENT - METHODS

Our invoices, sent along with the ordered items, can be settled as follows:

- Credit card
- PayPal
- Bank wire transfer or other methods agreed with BETT SISTEMI at the time of order confirmation; the choice of any payment method shall not change the payment due date.

No discounts will be granted for advance payments.

7 – LATE PAYMENT OR NON-PAYMENT -

Failure to pay by the due date shall entitle us to charge interests on arrears as provided for by the Italian Legislative Decree 231/02 and to claim the costs incurred for payment collection. In the event of a payment extension, we will apply the monthly interest rate referred to in the aforementioned Legislative Decree to the same extension granted.

8 – WARRANTY



GENERAL CONDITIONS OF SALE

BETT SISTEMI's products are covered by warranty against any hidden defects or flaws of the products sold under the terms provided for in article 1476 of the Italian Civil Code.

In the event of customised products, BETT SISTEMI undertakes to manufacture products conforming to the specifications given by the client, without however guaranteeing in any way whatsoever its operating nature, which shall be exclusively evaluated by the client. The client is the sole party responsible for the information transmitted to BETT SISTEMI.

As for standard products, BETT SISTEMI guarantees their conformity with the specifications shown in the catalogue. BETT SISTEMI cannot be held responsible and/or the warranty shall not be applicable upon expiry of the terms according to the law and cannot give rise to any indemnity claim.

Any use of the standard products is made on the sole responsibility of the purchaser, who declares to have examined the technical specifications of the products purchased and deems them suitable for his specific intended use.

Should a customised product infringe the rights of third parties, the client agrees to reimburse all costs (for proceedings, indemnification, damage compensation, legal advice and other consulting expenses) which BETT SISTEMI should incur in connection thereof and to take an active part in its defence.

The warranty shall not be applicable if the products sold have been changed or tampered with or if they are used in a manner or in conditions which are improper or inconsistent with their characteristics, intended use or standards applicable (in particular, in the event of use or installation in aircrafts and/or space vehicles for which the said products are absolutely unsuited).

TRANSFER OF RISK The moment the goods are delivered at the destination, the risks of improper use of the product, loss, direct or indirect damage shall be borne by the purchaser.

9 - RETURNS - PROCEDURES

Any returns of products shall be formally agreed in writing between the seller and the purchaser and sent via fax (0522/635222), e-mail (bsistemi@betsistemi.com), or by registered mail with advice of receipt. Should any products be returned without the aforementioned express agreement, they will be kept at the purchaser's disposal and shall not entitle to any compensation or refunds.

At any rate, returns shall not be accepted after thirty days following receipt of the goods. Expenses and risks related to the products returned shall always be charged to the purchaser. All returns must be sent to our factory. The choice of carrier is at our discretion.

The collection of a product by the seller shall entitle the purchaser to a refund for a period of six months as of the date the right was established. The products to be returned shall be intact and in proper working order, this being an essential condition if the client wishes to exercise the right of withdrawal.

Should there be visible defects or in the event of non-conformity of the products delivered, duly assessed by the seller, the purchaser shall be entitled either to the replacement of the products free of charge or to a refund for those products, at the seller's discretion. The purchaser shall not however be entitled to any indemnification or compensation of any kind.

10 - RETENTION OF TITLE

The ownership of standard parts or customised parts shall be transferred only subject to full payment of the price in principal and any accessory costs, it being understood that the payment shall be considered effected on the day the related sums are actually cashed by BETT SISTEMI.

Notwithstanding the provisions set forth in the foregoing paragraph, any and all risks shall be transferred to the client at the time of dispatch or delivery of the goods by BETT SISTEMI (in particular the risk of loss, deterioration and damage caused by the items sent).

Whenever a client sends a device or equipment in order to have a part manufactured, that is to be incorporated into, or that is to complete the aforementioned device or equipment, the client remains the owner thereof, bears the transport costs and the costs for the item to be re-delivered, assumes the risks connected with transport, any adjustment or transformation by BETT SISTEMI and any damage that this may cause.

11 – NON-FULFILMENT

In the event that the purchaser does not fulfil even only one of the obligations set out herein, or becomes subject to bankruptcy or insolvency proceedings, requests suspension of payments, liquidates or transfers his activity, his properties are repossessed or sequestered in whole or in part, does not present upon our request guarantees for the balance of the purchase price agreed upon, we reserve the right to recede from the contractual obligation stipulated with the purchaser or to recede from the part of the contract not yet executed, even without resort to legal proceedings, and we shall have the right to re-enter into possession of all the goods already delivered and for which the counterparty has not fully and exactly performed his obligations in relation thereto.

12 – SUSPENSION/TERMINATION CONDITIONS

The company undertakes to fulfil the undersigned agreements on condition that the counterparty proves his full and certain solvency in relation to the negotiations to be concluded. Furthermore, the Company shall have the right, at its own discretion, to request the purchaser to provide payment guarantees to the extent requested by the Company and also to suspend execution of the agreement until said requests have been fully satisfied.

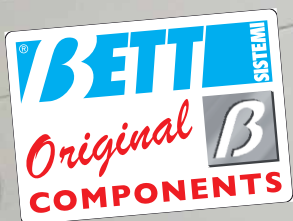
13 – APPLICABLE LAW

A – JURISDICTION

Pursuant to art.23 of Council Regulation EC44/2001 of 22 December 2000, the parties mutually agree that any dispute, none excluded nor excepted, relating to the interpretation, execution and termination of this contract shall be exclusively referred to the Italian Judicial Authorities.

B – TERRITORIAL JURISDICTION

Any dispute, none excluded, relating to the interpretation, execution and termination of this contract, including events of connection, shall be solely ruled upon by the Court of Reggio Emilia, in Italy.





Connectors, positioners and format change units

The **Robojoint** line offers a vast choice of cross, pedestal and angle **connectors**. These connectors are characterised by their high standard of quality, their considerable tightening force, the modern design and the torque limiting spacer on the fastening screws to guarantee greater resistance during tightening operations.

Reliable and low-cost, **Robolift actuators and positioners** are realized with nickel-plated tubing or rectangular section bars, and are available in single or cross versions, both manually operated and motor-driven. They are mainly used for positioning accessories along assembly or packaging lines or for changing accessories for format changeovers with adjustment of only one axis or two axes by means of opposed feed carriages.



Bett Sistemi whole range

Guides and linear tables

Easy to use and robust to allow movements with up to 3 axis (x-y-z)

Easy to use, robust and reasonably priced, **Robolinear** linear guides allow movements with up to 3 orthogonal axes (x-y-z) and they represent Bett Sistemi's response to the automation needs of those who use the **Robomec** system: from the single or double guides to the aluminium carriages and the motor-driven linear and cross guides.

The components are called for in various industrial sectors where the flow rack is highly valued, in particular in packaging and automation (loading machine tools and kilns, at the line end for filling boxes, on work benches, test benches, etc).

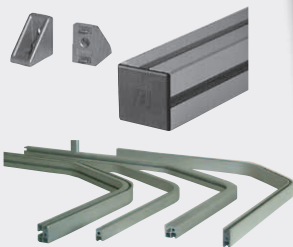


Structural profiles and accessories

The specialist in profiles and accessories for modular structures

Robomec is a modular system of standard aluminium components used to build the structures of industrial automation systems, such as workstations, machine structures, robots, feed devices, laboratory tables, safety guards and frames in general.

Built with anodized aluminium sections, **Robomec** line offers numerous building advantages: easy and practical to use and fast to assemble to build extremely rigid structures with a complete range of functional and low-cost accessories, and on top of that the elements can be reused should you want to change the structure.



Bett Sistemi whole range

Guards, kits and accessories

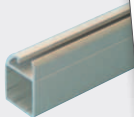
The specialist in components for stainless steel and aluminium safety guards

Over 2000 accident prevention guards manufactured every year make **Roboframe** the line all automatic machine manufacturers and users in the food and bottling sectors look to.

Roboframe Food guards, with stainless steel hoses and thermoplastic joints with a reinforced steel core, are the result of the documented experience acquired by Bett Sistemi through its work in this specific sector.

Roboframe Pack accident prevention guards, with aluminium hoses and thermoplastic connecting joints, are designed especially for the packaging, mechanics and automation sectors in general.

Roboframe guards are robust, simple to set up, attractive and meet all the community safety regulations.



Standard and customized components for industry

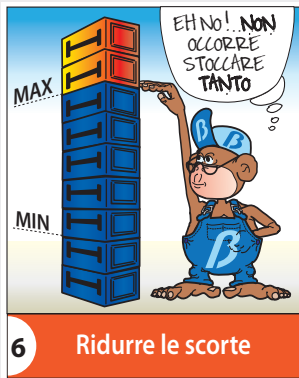
Thenar, an associate company of Bett Sistemi and a member of the **B-Group**, has been manufacturing and marketing high quality and highly reliable industrial components for more than 20 years.

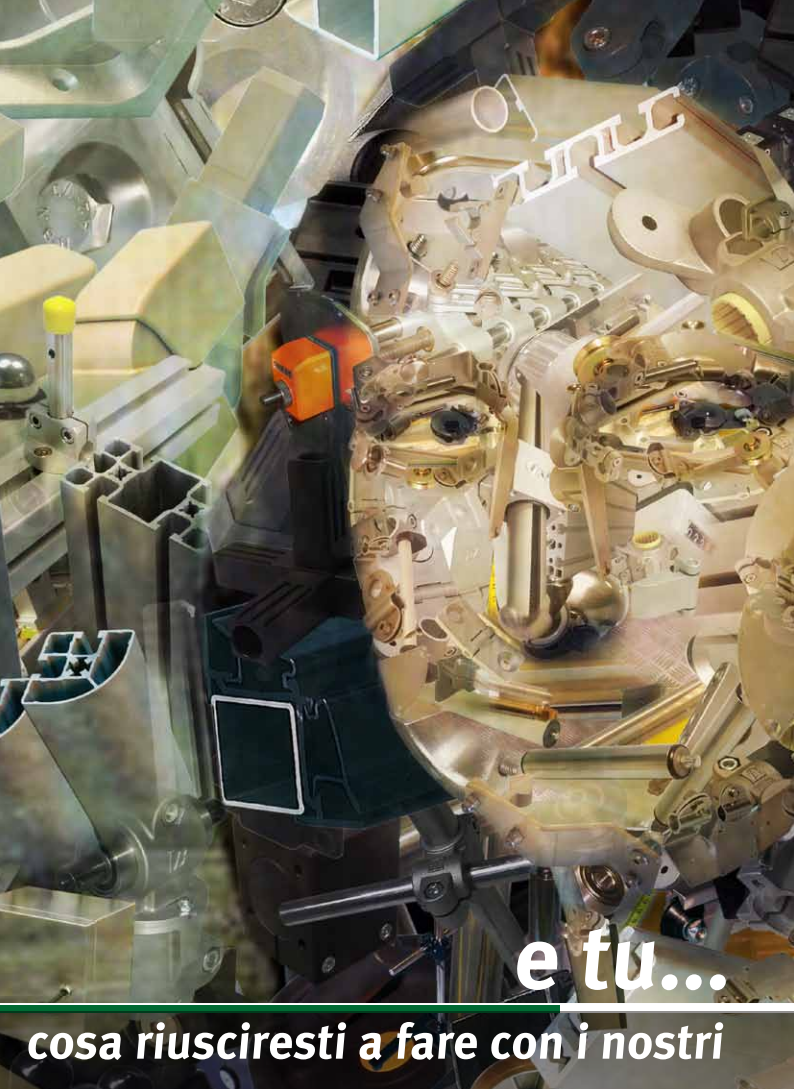
Thanks to the extensive experience acquired in the sector and its direct manufacturing, Thenar represents a business partner capable of meeting all the industry's needs while offering articles with an excellent quality/price ratio.



DALLA TEORIA ALLA PRATICA







e tu...

cosa riusciresti a fare con i nostri



BETT SISTEMI
Original **B**
COMPONENTS



Dear Customer,

with the aim of continually improving our services, your opinion is of major importance to us. We would appreciate not only knowing your opinion, but also receiving comments, proposals or suggestions.

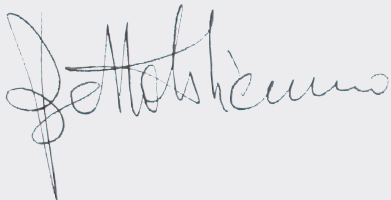
This area is dedicated to this. If you wish, you may send us an email to bsistemi@bettsistemi.com, or a fax using the attached form, to be sent to +39.0522.635222.

We will be glad to answer your requests and consider your suggestions.

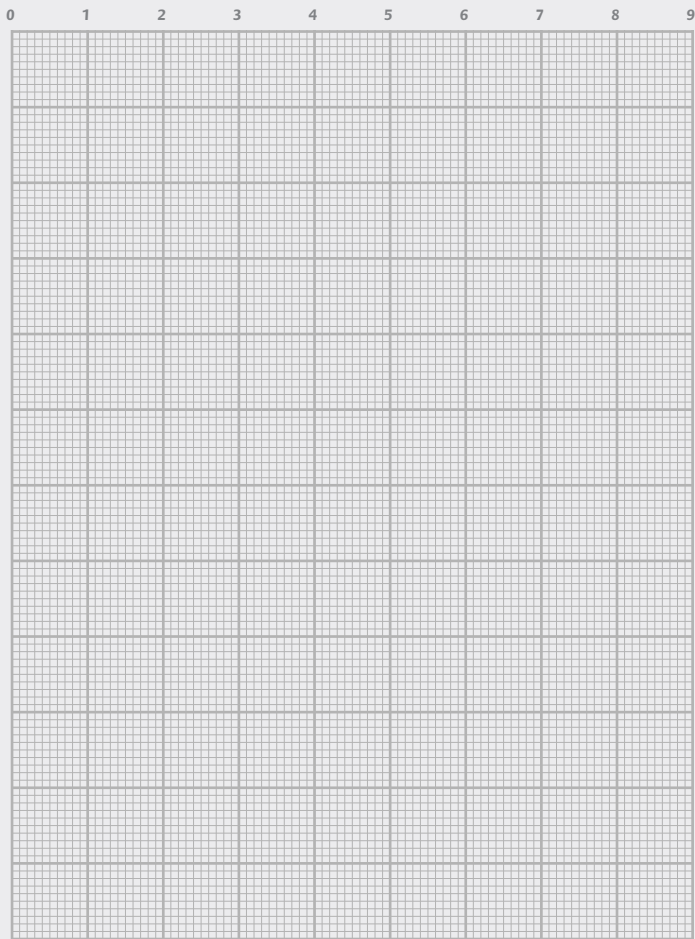
Kind regards

The Management





Continual improvement



Continual improvement

