



HAND  
BOOK

5  
2011

# Guards, kits and accessories

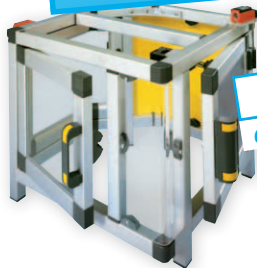


**FOOD**  
stainless steel

As of  
**April 2013**  
the price list shall be  
increased by **5.6%**

**Food  
Beverage  
Pharma**

+39 0522 635111  
[www.bettisistemi.com](http://www.bettisistemi.com)



**PACK**  
aluminium

**Packaging**


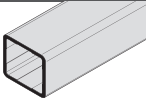


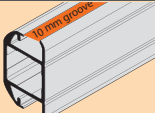
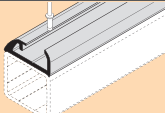
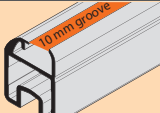
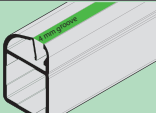

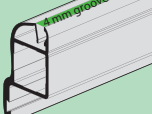
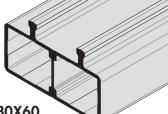
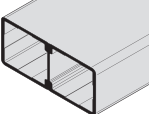
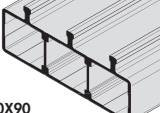

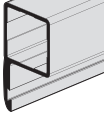
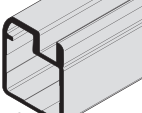
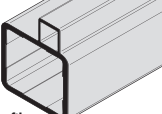


## Guide to component selection **PACK** pg.1

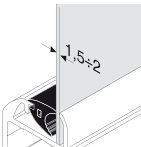
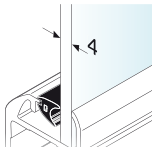
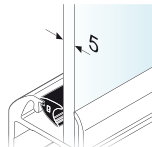
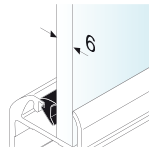
### PACK connection joints

<p>Two-track  <a href="#">Series 25</a> p.16  <a href="#">Series 30</a> p.48</p>	<p>3-track  <a href="#">Series 25</a> p.19</p>	<p>3-track  <a href="#">Series 25</a> p.20  <a href="#">Series 30</a> p.51</p>	<p>Two-track  <a href="#">Series 25</a> p.21  <a href="#">Series 30</a> p.52</p>
<p>Two-track            135°  <a href="#">Series 25</a> p.24  <a href="#">Series 30</a> p.55</p>	<p>Two-track            with collar  <a href="#">Series 25</a> p.17  <a href="#">Series 30</a> p.49</p>	<p>Two-track            with frame  <a href="#">Series 25</a> p.18  <a href="#">Series 30</a> p.50</p>	<p>Two-track            with side            frame  <a href="#">Series 25</a> p.22  <a href="#">Series 30</a> p.53</p>
<p>Two-track            2 side            frames  <a href="#">Series 25</a> p.23  <a href="#">Series 30</a> p.54</p>	<p>Two-track,            135° with            side frame  <a href="#">Series 25</a> p.25  <a href="#">Series 30</a> p.56</p>	<p>Two-track,            135° 2 side            frames  <a href="#">Series 25</a> p.26  <a href="#">Series 30</a> p.57</p>	<p>Two-track            internal            cross beam  <a href="#">Series 25</a> p.29  <a href="#">Series 30</a> p.60</p>
<p>Internal, for            cross beam            with collar  <a href="#">Series 25</a> p.30</p>	<p>Internal, for            cross beam            embedded  <a href="#">Series 25</a> p.27  <a href="#">Series 30</a> p.58</p>	<p>Internal, for            cross beam  <a href="#">Series 25</a> p.28  <a href="#">Series 30</a> p.59</p>	<p>Reinforcement            embedded  <a href="#">Series 25</a> p.31  <a href="#">Series 30</a> p.61</p>
<b>PACK connection joints for sliding doors</b>			
<p>Two-track            for sliding            doors  <a href="#">Series 25</a> p.40</p>	<p>Two-track            for sliding            doors  <a href="#">Series 25</a> p.41</p>		
<p>Drilled            joints  <a href="#">Series 25</a> p.33</p>	<p>Sliding pin  <a href="#">Series 25</a> p.37</p>	<p>Sliding pin  <a href="#">Series 25</a> p.38</p>	






















## PACK tubes

 <p>Cap Series 25 p.67 Series 30 p.79</p>	 <p>Square tube Series 25 p.113 Series 30 p.78</p>	 <p>With fixed fin Series 25 p.68 Series 30 p.80</p>	 <p>With 2 fixed fins Series 25 p.69 Series 30 p.81</p>
 <p>With 2 fixed fins Series 25 p.73 Series 30 p.85</p>	 <p>Profile for frame Series 25 p.71 Series 30 p.71</p>	 <p>For sliding doors Series 25 p.75</p>	 <p>With fixed fin Series 25 p.72 Series 30 p.84</p>
 <p>With 2 fixed fins Series 25 p.73 Series 30 p.85</p>	 <p>With fin and end-stop Series 25 p.74</p>	 <p>30X60 profile with 2 tracks Series 30 p.89</p>	 <p>30X60 profile pg.90</p>
 <p>30X90 profile with 3 tracks Series 30 p.91</p>	 <p>30X90 Profile Series 30 p.92</p>	 <p>Profile with fin and gasket-holder end Series 30 p.86</p>	 <p>Profile with embedded track Series 30 p.87</p>
 <p>Profile with track Series 30 p.88</p>			

## PACK rubber and plastic profile

 <p>For panel and metal sheet locking p.96</p>	 <p>For panel locking p.97</p>	 <p>For panel locking p.98</p>	 <p>For panel locking p.99</p>
---	---	---	--

<p>For panel locking p.100</p>	<p>Guide with 2 embedded tracks p.102</p>		
<p>Stiffening angle 90° p.104</p>	<p>Stiffening angle 135° p.105</p>	<p>Guard mounting angle p.107</p>	<p>Plate for panel coupling p.108</p>
<b>PACK hinges</b>			
<p><b>Plastic</b></p> <p>Hinge for inside fastening p.190</p>	<p><b>Plastic</b></p> <p>Hinge for inside/outside fastening p.192</p>	<p><b>Plastic</b></p> <p>With 90° end-stop p.196</p>	<p>Hinge for glass doors p.201</p> <p style="color: red; font-weight: bold; transform: rotate(-15deg); font-size: 2em;">SOLD OUT</p>
<p>Integrated hinge kit p.202</p>	<p><b>Aluminium</b></p> <p>For folding doors p.213</p>	<p><b>Aluminium</b></p> <p>For folding doors p.214</p>	<p>Hinge with switch p.218</p>
<p><b>Aluminium</b></p> <p>Hinge for outside fastening p.212</p>	<p><b>Aluminium</b></p> <p>Hinge for inside fastening p.216</p>	<p><b>Aluminium</b></p> <p>Hinge for inside fastening p.215</p>	
<b>PACK handles</b>			
<p><b>STAINLESS STEEL</b></p> <p>Ø10 round tubular handle p.246</p>	<p><b>STAINLESS STEEL</b></p> <p>Round tubular safety handle p.247</p>	<p><b>STAINLESS STEEL</b></p> <p><b>0 aluminium</b></p> <p>Oval cross-section safety handle p.248</p>	<p>Oval cross-section safety handle p.250</p>

 <p>Bridge handles p.242</p>	 <p>Safety handle p.252</p>	 <p>Screw caps p.258</p>	 <p>Safety guards p.245 p.254</p>
 <p>Handle kit with key p.280</p>	 <p>Handle kit p.279</p>	 <p>Snap type handle p.284</p>	
 <p>Ø30 and Ø28 tubular, angled p.260</p>	 <p>Ø30 and Ø28 tubular double angle p.262</p>	 <p>tube kit Ø30 and Ø28 p.264 p.266</p>	 <p>Threaded button p.293</p>
 <p>Ø30 and Ø28 handle couplings p.268 p.272</p>			 <p>End cap p.276</p>
<b>PACK closing components</b>			
 <p>Plate for door alignment p.296</p>	 <p>Alignment plate for ball joint p.297</p>	 <p>Plate for door alignment p.298</p>	 <p>Return end-stop for sliding doors p.301</p>
 <p>V-shaped doorstop snap release p.302</p>	 <p>V-shaped doorstop snap release p.313</p>	 <p>V-shaped doorstop snap release p.304</p>	 <p>Spring doorstop with manual release p.306</p>

 <p>Spring doorstop with manual release</p>	 <p>Clip doorstop for sliding doors</p>	 <p>Clip doorstop</p>	 <p>Doorstop with magnet</p>
 <p>Gas struts</p>	 <p>Gas strut mount</p>	 <p>Key lock</p>	 <p>Mechanical doorstop</p>
 <p>Key lock</p>	 <p>Mechanical doorstop</p>		



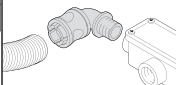
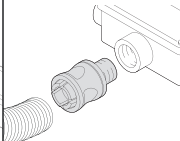
**Feet characteristics p.350**



**PACK feet**

 <p>Feet Ø43</p>	 <p>Feet Ø80</p>	 <p>Feet Ø100</p>	 <p>Feet Ø80</p>
 <p>Threaded caps for tubes</p>	 <p>Feet Ø80</p>	 <p>Feet Ø100</p>	 <p>Threaded caps for 30x30 tubes</p>

<p><b>Kit</b></p>  <p>Ø100 foot kit for floor-mounting + cap for 50x50 tube p.363</p>	<p><b>Kit</b></p>  <p>Ø100 foot kit for floor-mounting + cap for Ø48.3 tube p.364</p>	<p><b>Kit</b></p>  <p>Ø100 foot kit + cap for 50x50 tube p.365</p>	
--	--	---	--

## PACK electrical accessories

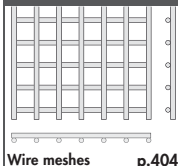
 <p>Plastic ducts p.387</p>	 <p>Aluminium ducts p.384</p>	 <p>Elbows p.397</p>	 <p>Cable glands p.398</p>
--	--	---	--

 <p>Junction boxes p.401</p>	 <p>Safety switches p.374</p>		
--	--	--	--

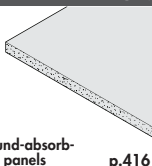
## Cleaning products

 <p>Guard detergent p.418</p>	 <p><b>NEW</b></p> <p>Abrasive paste p.420</p>	 <p><b>NEW</b></p> <p>Abrasive rubber p.420</p>	 <p><b>NEW</b></p> <p>Antistatic cleaner p.421</p>
--	---	--	---

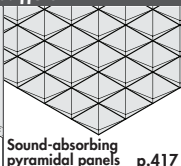
## PACK buffers



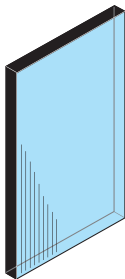
Wire meshes p.404



Sound-absorb-  
ing panels p.416



Sound-absorbing  
pyramidal panels p.417



Panels p.408



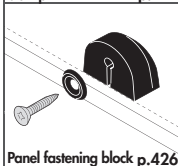
Wire mesh  
clamp p.424



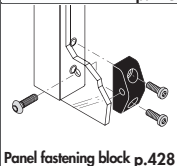
Wire mesh  
fastening block p.425



Block  
for panels p.423



Panel fastening block p.426



Panel fastening block p.428

## Fastening components and tools



Nuts and bolts p.431



Drilling jigs p.440



Working tools p.446

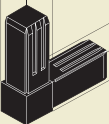
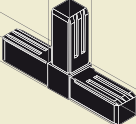

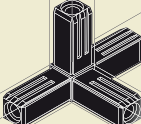
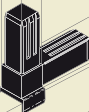
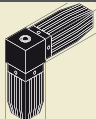
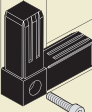

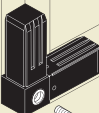
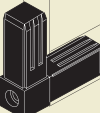


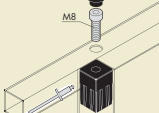
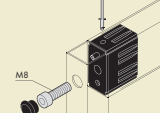
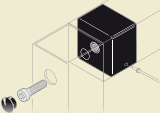
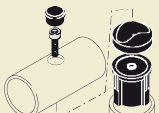

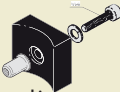


Working tools p.447

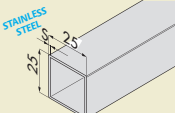
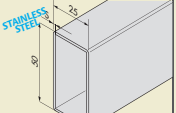
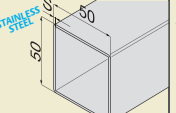
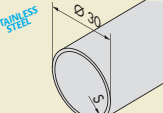
Resistance to chemical agents p.486

**i** Guide to component selection **FOOD** p.115

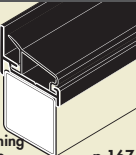
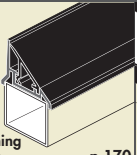

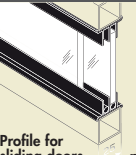
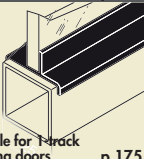
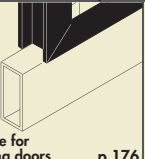
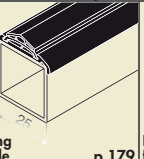
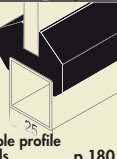
## FOOD connection joints

 Two-track p.136	 3-track p.137	 3-track p.138	 4-track p.139
 2-track with rotating fulcrum p.140	 2-track with ball doorstops p.141	 2-track with through hole p.142	 3-track with through hole p.143
 2-track with through hole p.144	 2-track with threaded hole p.145	 2-track embedded p.146	 Hole caps p.437
 Embedded for 25x25 p.151	 embedded for 25x50 p.152	 embedded for 50x50 p.153	 Embedded for Ø48.3 tube p.155
 Coupling stud bolt p.154	 Adapter kit for Ø30 tube p.156		


## FOOD tubes

 Tubes 25X25 p.160	 Tubes 25X50 p.161	 Tubes 50X50 p.162	 Tubes Ø30 p.163
---	--	--	---

## FOOD rubber and plastic profile

 Fastening profile p.167	 Fastening profile p.170	 Profile for sliding doors p.173	 Profile for sliding doors p.174
 Profile for T-track sliding doors p.175	 Guide for sliding doors p.176	 Sealing profile p.179	 Removable profile for panels p.180

## FOOD closing components

 Plate for door alignment p.296	 Alignment plate for ball joint p.297	 Plate for door alignment p.298	 V-shaped doorstop snap release p.304
 V-shaped doorstop snap release p.302	 Spring doorstop with manual release p.306	 Spring doorstop with manual release p.310	 Snap doorstop p.312
 End-stop kit p.325	 Mechanical doorstop p.326	 Mechanical doorstop p.327	 Key lock p.312
 Lockable doorstop p.336	 Doorstop with magnet p.322	 Doorstop with magnet p.317	 Clip doorstop p.315

<p><b>Pharma Kit</b></p> <p>Lever doorstop p.328</p>	<p>Magnet doorstop p.316</p>	<p>Magnet doorstop p.316</p>	<p>Gas struts p.338</p>
<p><b>STAINLESS STEEL</b></p> <p>End-of-travel stop for sliding doors p.345</p>	<p>Spring coupling p.343</p>	<p>Spring coupling p.343</p>	





## FOOD hinges



<p><b>Plastic</b></p> <p>Inside fastening p.190</p>	<p>Kit with switch p.199</p>	<p>Kit with switch p.200</p>	<p><b>STAINLESS STEEL</b></p> <p>Kit with switch p.218</p>
<p><b>Plastic</b></p> <p>For inside/outside fastening p.192</p>	<p>Kit with switch p.199</p>	<p>Kit with switch p.200</p>	<p>Kit with switch p.218</p>
<p><b>Plastic</b></p> <p>For inside fastening p.194</p>	<p><b>STAINLESS STEEL</b></p> <p>Hinge for outside fastening p.220</p>	<p><b>STAINLESS STEEL</b></p> <p>Weldable hinge p.221</p>	<p><b>STAINLESS STEEL</b></p> <p>Embedded hinge p.222</p>
<p><b>STAINLESS STEEL</b></p> <p>Hinge for inside fastening p.224</p>	<p><b>STAINLESS STEEL</b></p> <p>Weldable hinge with glue locking p.228</p>	<p><b>STAINLESS STEEL</b></p> <p>Weldable hinge with plate locking p.229</p>	<p><b>STAINLESS STEEL</b></p> <p>Weldable hinge with plate locking p.230</p>



 <p>Weldable hinge with plate locking p.231</p>	 <p>Weldable hinges with plate locking p.232</p>	 <p>Weldable hinge with button locking p.234</p>	 <p>Weldable hinge with plate locking p.235</p>
 <p>Pharma Weldable hinge with plate locking p.236</p>	 <p>Pharma Weldable hinge with plate locking p.237</p>	 <p>Pharma Weldable hinge with button locking p.238</p>	 <p>Pharma <b>EXTRA CLEARANCE</b> Weldable hinge with button locking p.239</p>

## FOOD handles

 <p>Ø10 round tubular handle p.246</p>	 <p>Round tubular safety handle p.247</p>	 <p>Oval cross-section safety handle p.248</p>	 <p>Pharma 20Ø tubular handle p.287</p>
 <p>Bridge handles p.242</p>	 <p>Safety handle p.252</p>	 <p>Screw caps p.258</p>	 <p>Fastening pin and weldable end cap p.289</p>




 <p>Angled handle Ø30 and Ø28 p.264 p.266</p>	 <p>Ø30 and Ø28 angled handle kit p.262</p>	 <p>Pharma Tubular handle double angle p.285</p>	 <p>Pharma Tubular handle integrated hinges p.270</p>
--	---	--	---

 <p>Panel fastening plate</p> <p>p.290</p>	 <p>Pharma</p> <p>Panel fastening button</p> <p>NEW</p> <p>p.292</p>	 <p>Spacer pin</p> <p>p.291</p>	
---	---	--	--

 Feet characteristics p.349 

### FOOD feet


 <p>Kit</p> <p>Ø43 foot kit + cap for 25x25 tube</p> <p>p.362</p>	 <p>Kit</p> <p>Ø100 foot kit for floor-mounting + cap for Ø48.3 tube</p> <p>p.363</p>	 <p>Kit</p> <p>Ø100 foot kit for floor-mounting + cap for Ø48.3 tube</p> <p>p.364</p>	
--	--	--	--

 <p>Threaded cap for 30x30 tube</p> <p>p.359</p>	 <p>Threaded cap for 50x50 tube</p> <p>p.360</p>	 <p>Threaded cap for Ø48.3 tube</p> <p>p.361</p>	
--	---	---	--

 <p>Foot Ø80</p> <p>p.367</p>	 <p>Foot Ø80</p> <p>p.368</p>	 <p>Foot Ø100</p> <p>p.369</p>	 <p>Adjustable base</p> <p>p.370</p>
--	--	---	---

### FOOD clamps

 <p>Connection joint</p> <p>p.181</p>	 <p>90° clamp</p> <p>p.182</p>	 <p>180° clamp</p> <p>p.183</p>	 <p>135° clamp</p> <p>p.184</p>
---	---	--	--

 <p>Single plate</p> <p>p.185</p>			
---	--	--	--

## Cleaning products



Guard detergent p.418



Guard detergent p.420

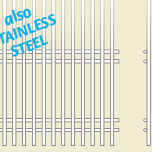


Antistatic cleaner p.421

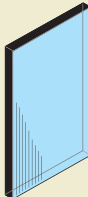


Cleaner for stainless steel p.421

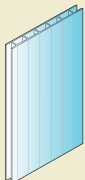
## FOOD buffers



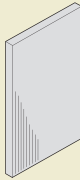
Wire meshes p.404



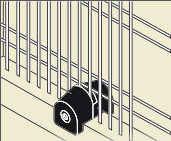
Panels p.408



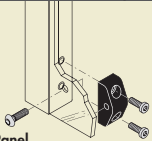
Alveolar panel p.409



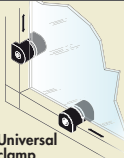
Stratified laminate p.413



Wire mesh clamp p.424



Panel fastening clamp p.423



Universal clamp p.422

## FOOD accessories



Cable duct p.381



Nuts and bolts p.431



Drilling jigs p.440



Working tools p.446



Working tools p.447



## For further services



**Tel: +39 0522 635111**

Please do not hesitate to ask for support from the Bett Service System Partners when you require more than just components or preassembled kits and what you need are turnkey solutions.

Where:

**Correggio**

**Faenza**

**Bologna**

**Milan**

**Italy**

**Switzerland** **Zurich**

**Barcelona**

**Madrid**

**Spain**

**Holland** **Utrecht**

**Stuttgart**

**Germany**

**Australia** **Melbourne**

**Toronto**

**Canada**



The BETT SERVICE centres are authorised by BETT SISTEMI with the aim of adding value to the "Original components" thanks to their engineering and services. In addition, they act as application centres for anyone who requires more specific services than those usually offered in our handbooks.

## Guide to component selection **PACK**



To construct frames, frames with cross beam, to secure buffer panels.

5 p.2



Constructing doors

- pull-out doors
- swing doors
- folding doors
- sliding doors with 2 and 3 leaves

5 p.6



Constructing perimeter guards

5 p.12



1

go to page

## Connection joints



Joints **PACK**

Normally used to construct doors



5 p.16



pg.48



15

go to page

## Connection joints



Joints **PACK**

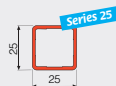
Normally used to construct doors



47

go to page

## Profiles



Series 25 is used to construct **DOORS**. We recommend Series 30 for the counterframe



65

go to page

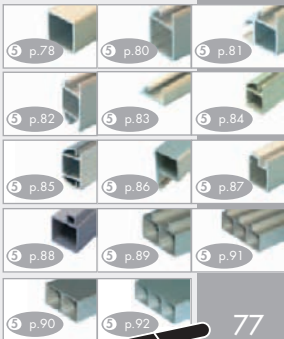
## Profiles



Series 30 is used

to construct **FRAMEWORKS**.

Series 25 is recommended for doors 



77

go to page 

## Rubber and plastic profiles



95

go to page 

## Connection joints



For tubular bars in **stainless steel**

**Reinforced** joints with steel core

5 p.136



**Light** joints (without steel core) **low-cost**

5 p.147



Internal joints, adapters

5 p.151



135

go to page

## Tubes, profiles and end caps



Steel tubes in **stainless steel**

5 p.160



Light tubes in **aluminium**

5 p.165



Plastic profiles

5 p.167



Light plastic profiles

5 p.179



Steel clamps

5 p.181



159

go to page

## Accessories for doors:

### Hinges

In plastic

5 p.190



In aluminium

5 p.212



In stainless steel

5 p.220



FOOD



PACK



189

go to page

## Accessories for doors:

### Handles

Safety bridge handles

5 p.242



Safety handles and screw caps

5 p.258



Safety modular

5 p.260



Safety cremone

5 p.279



Safety pharma (pharmaceutical use)

5 p.285



FOOD



PACK



241

go to page

## Accessories for doors: closing components

**FOOD**



**PACK**



End-stops

5 p.274



Snap and magnet type doorstop

5 p.284



Safety locks

5 p.305



Gas struts

5 p.313



End-stop and spacers

5 p.320



295

go to page

## Support feet

**FOOD**



**PACK**



Polyamide feet

5 p.351



Threaded caps

5 p.358



Feet with threaded caps

5 p.363



Steel feet

5 p.362



349

go to page

## Electrical accessories

**FOOD**

**PACK**



Safety switches

5 p.374



Cable carrier

*in Stainless steel*

5 p.382



Cable carrier in

*Aluminium*

5 p.384



Cable carrier in

*Plastic*

5 p.387



Cable duct accessories

5 p.390



373

go to page



pg.486   
Material resistance

## Buffers



Wire mesh buffers

4 p.404



Transparent panels

4 p.408



Covering panels

4 p.413



Sound-absorbing panels

4 p.416



Fastening blocks

4 p.422



Cleaning accessories

4 p.418



p.403

go to page

## Accessories for doors: closing components

**FOOD**

**PACK**



End-stops

5 p.274



Snap and magnet type doorstep

5 p.284



Safety locks

5 p.305



Gas struts

5 p.313



End-stop and spacers

5 p.320



431

go to page 

## Working tools

**FOOD**

**PACK**



Drilling jigs

5 p.440



Working tools

5 p.446



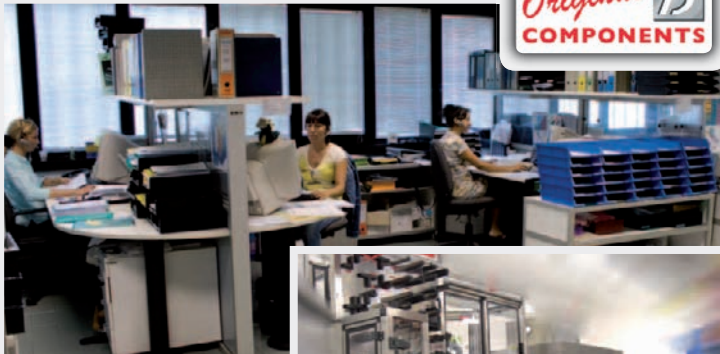
439

go to page 



**Production**  
**Research and Development**  
**Marketing**  
**Distribution**

A young company with a 30-year experience, Bett Sistemi was established in 1994. The founding partner is an entrepreneur who has been in the industry of innovative standard components for over 30 years. Bett Sistemi, which is ISO 9001 and ISO 14001-certified, today is with B group a leader in the design and manufacture of innovative components and systems, dedicated to flexible automation and machine safety.





**COMPANY  
WITH QUALITY SYSTEM  
CERTIFIED BY DNV  
= ISO 9001/2000 =**

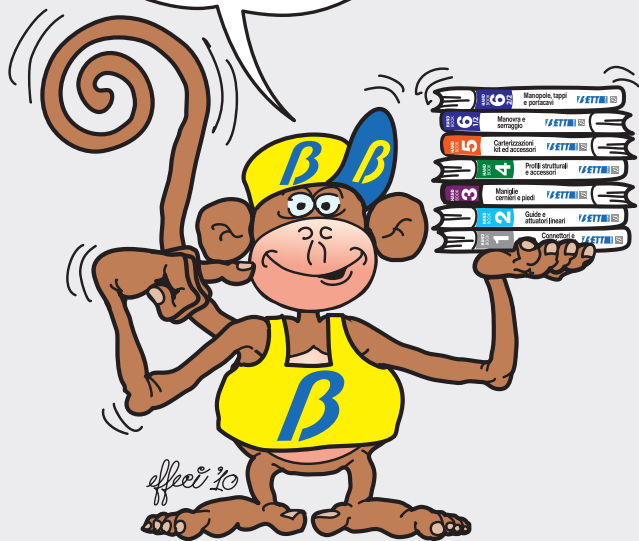
*Certificate No.*  
**CERT-01613-97-AQ-BOL-SINCERT**

**COMPANY WITH  
ENVIRONMENTAL MANAGEMENT  
SYSTEM CERTIFIED BY DNV  
= ISO 14001 =**

*Certificate No.*  
**CERT-597-2003-AE-BOL-SINCERT**






Have you  
got all the  
**Books?**



Remember that...

you can download the handbooks in PDF format from  
[www.bettsistemi.com](http://www.bettsistemi.com) or have them sent to your address.

## Dimensioning

-  Generic angle
-  Round hole
-  Square hole

## Delivery times

-  Delivery in 3 days
-  Express service


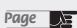

## Documentation available

-  3D drawings
-  PDF

## Other

-  Static load
-  New Product
-  Technical/sales information
-  Products in stock
-  Focus
-  Warning
-  Food-grade

## Go

-  Go ...
-  Go to page ...
-  Go to handbook ...

## Product specifications

**Aluminium** Different materials for the same model:

Technical details in comparison **Robust**

**stainless steel** Additional reinforcing


**Combinations** | Highlighted information

**1420** → Part numbers continued on another page

→ **1420** →

↓ **1420** End

-  Product in stock
-  Product **not** in stock

 Product under completion at the time of printing.

 Safety solution

# Bett Sistemi: only one partner

From the manufacturer directly to the "consumer"



Low prices thanks to the "direct channel"

We manufacture most of the components we offer



Production site  
Correggio, (RE) Italy  
7000 m2 covered space

## Certifications

COMPANY WITH QUALITY SYSTEM CERTIFIED BY DNV  
= ISO 9001/2000 =  
Certificate No. CERT-0164-01-04-001-SINCECERT

COMPANY WITH ENVIRONMENTAL MANAGEMENT SYSTEM CERTIFIED BY DNV  
= ISO 14001 =  
Certificate No. CERT-007-2000-0E-001-SINCECERT



Laboratory of industrial research  
Art. n. 14 of ministerial decree n. 5102 of August 2003  
Ministero dell'Università e della Ricerca

Always at your disposal



The support of an efficient sales team

Contact us for any information and advice you may need from Monday to Friday from 08:00 to 18:00 or leave a message on the answer phone and we will call you back by 10:00 the next day.

Tel: +39 0522 635257

The support of an expert technical team



Creators of standards



Out of your requests, we create new standards

If you can't find what you need over 10000 standard components in our catalogues, just send us your requests or drawings and our engineers will study **new standards** suited to your requirements.

To get the updates on new products and applications, go to our site or register to receive our monthly newsletter:  
[www.bettsistemi.com](http://www.bettsistemi.com)

# to satisfy your every need

It is easy and fast  
to place an order



You can choose  
from over 10000  
items:

[www.bettsistemi.com](http://www.bettsistemi.com)

And order them:

By phone:

**+39 0522 635257**

By fax

**+39 0522 635222**

**Min. amount invoiceable:**

€40,00 (net of VAT)

Prices are ex works.

Express  
delivery



For orders received  
by 14:00, delivery  
in 1 or 3 days

For orders received before 14:00, the items in stock (✓) will be collected by the courier on the same day\* and delivered within 3 days\* in all the provincial capitals if you choose **standard service**, or in 1 day\* if you choose **express service** (10% extra charge on the value of the goods).

\*Only for payments with Credit Card or PayPal

**Note:** the above refers to Italy, for all shipments to foreign countries, please contact our Sales Department.

Easy  
payment



Choose the  
payment method  
you prefer

- Credit card (immediate payment receipt)
- PayPal (immediate payment receipt)
- Bank wire transfer\* (payment receipt within 72 hours, see Point 5 of our General Conditions of Sale)

\* Banca Popolare dell' Emilia Romagna  
Branch Correggio  
IBAN: IT42R053876632  
0000000661859  
SWIFT: BPMOIT22



delivery in 3  
days



express  
delivery

Goods collection:  
**via della Costituzione, 55**  
**42015 Correggio, Italy**

# The Italian Quality

Why do the **BETT SISTEMI** "Original components"  
**come in** handbook format?  
You'll soon find out that they are

- **Practical**
- **Complete**
- **Immediate**
- **Specific**
- **Original**
- **Complementary**
- **Accurate**
- **Ecological**
- **Young**



## Collection

# Components



You'll soon find out that ordering components has never been this practical, easy and fast.

## **BETT SISTEMI**

is ready to supply its **"Original components"** in:



Parts  
3D




[www.bettsistemi.com](http://www.bettsistemi.com)

KanBan



pg. 448

Consignment  
Stock



pg. 450

**BETT SISTEMI** is the **ideal partner** to handle your every supply need.

# LA SICUREZZA *non è* UN'OPINIONE



## SAFETY *is not an* OPINION



KEEP HANDS  
CLEAR



OPEN GEARS  
WATCH HANDS  
AND FINGERS

**CAUTION**

**DANGER**

**WARNING**



Taglio dita o mano  
*Cutting of fingers or hands*



Intrappolamento braccia causato  
da rulli in avanzamento  
*Arms getting caught up in the  
advancing rollers*



Intrappolamento braccia o parte  
superiore del corpo causato da  
albero rotante  
*Arms or upper body parts getting  
caught up in the rotating shaft*



Intrappolamento dita o mano  
causato da trasmissione a catena  
*Fingers or hands getting caught  
up in the chain transmission unit*



Schiacciamento dita o mano  
causata da pressa  
*Crushing of fingers or hands by  
the press*



Intrappolamento braccia causato  
da ingranaggi rotanti  
*Arms getting caught up in  
rotating gearing*



Intrappolamento dita o mano  
causato da ingranaggi rotanti  
*Fingers or hands getting caught  
up in rotating gearing*



Intrappolamento dita o mano  
causato da rulli in avanzamento  
*Fingers or hands getting caught  
up in advancing rollers*





# Modular system for machine safety

## Machinery protection and perimeter safety system

Roboframe is comprised of specific **components** for easy and low-cost **DIY construction** of protections designed to allow automatic machines operate in safety conditions.



## Easy, low-cost and fast assembly

Fit components, panels and structures by hand simply using a rubber hammer and electric tools: no welding, grinding or painting that wear easily over time – just one structure ready to use right away.

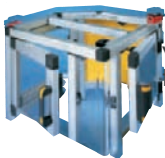


## System components

- Components for  $\varnothing 25 \times 25$  tubes, 1.2 mm thick,  $\varnothing 25 \times 50$  tubes, 1.5 mm thick and  $\varnothing 50 \times 50$  tubes, 1.5 and 3 mm thick;
- reinforced plastic joints;
- all required accessories, such as hinges, handles, locks, knobs etc.
- guide to component selection

## When to use Roboframe

### PACK aluminium



- Roboframe Pack, for the **packaging** industry, with aluminium tubular bars and joints in thermoplastic material.

pg.1

- guide to component selection

## When to use Roboframe

### FOOD stainless steel

- Roboframe Food for the **food, bottling, and pharmaceutical sectors**, it can be used to construct protection guards in compliance with the regulations on machine safety, using stainless steel tubular bars and thermoplastic joints with reinforced steel core.



pg.115

- In corrosive environments, requiring stainless steel structures.

- guide to component selection

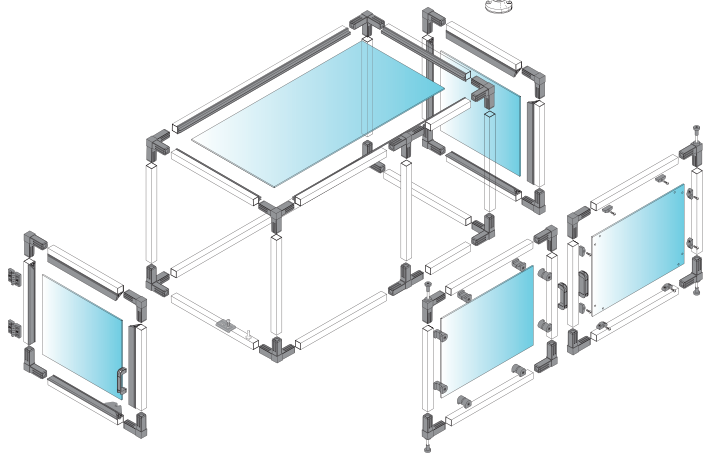
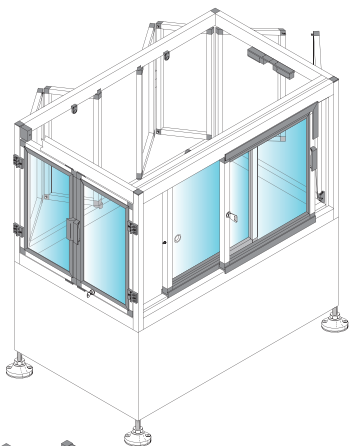
## Technical services

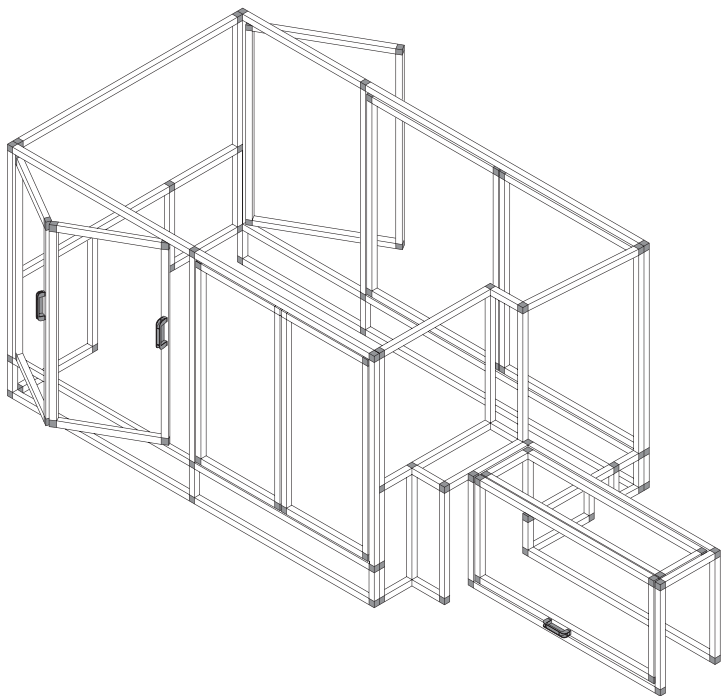


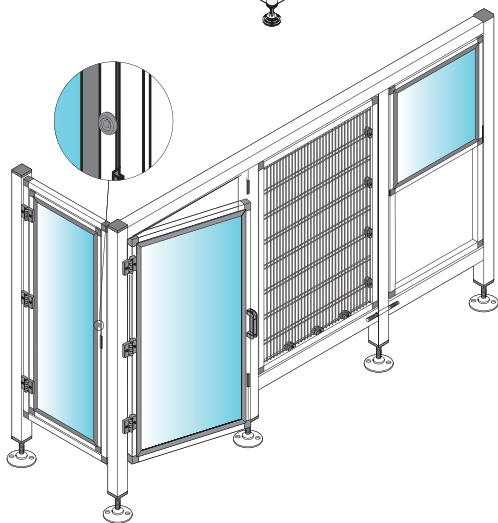
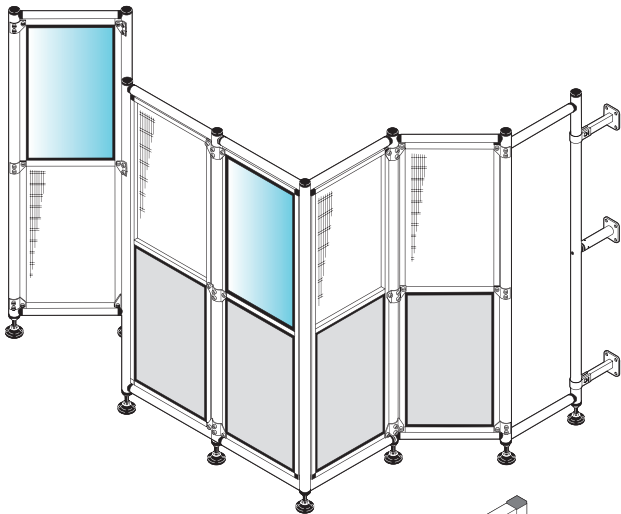
- Constructing a guard yourself is easy – just follow the “guide to component selection” on page 1 or page 115, or send us a drawing and we will provide you with a kit of materials cut to size and ready to be assembled.

## References

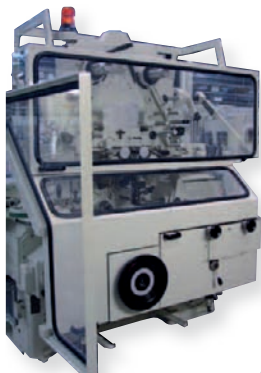
pg.454



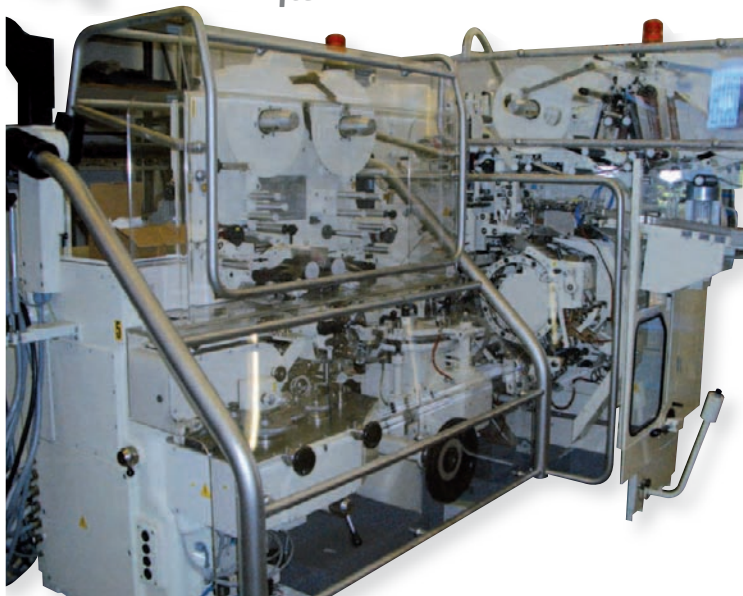




Special guards on the customer's request



Before



After



**PACK**



**ALUMINIUM**

# Guide to component selection **PACK**

To construct frames,  
frames with cross beam,  
to secure buffer panels.

.....

5 p.2



Constructing doors

- pull-out doors
  - swing doors
  - folding doors
  - sliding doors with 2 and 3 leaves
- .....

5 p.6



Constructing perimeter guards

.....

5 p.12

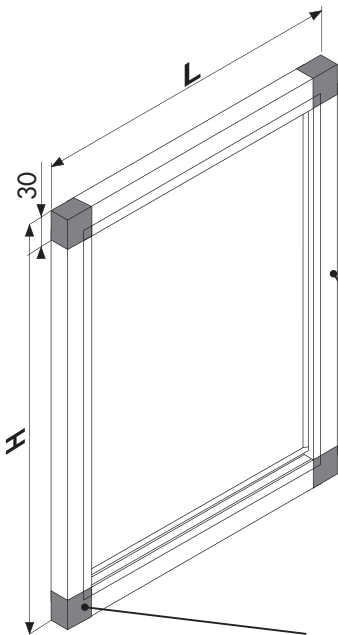


## WARNINGS

Only the Italian version of this catalogue is to be understood as the original version. Bett Sistemi shall not be held liable for any translation or transcription errors. The information contained in this catalogue is exclusively meant for component description purposes and shall not be understood as a statement made by Bett Sistemi regarding a specific characteristic of the component or its suitability for a specific use. The data provided **shall not relieve the customers from their responsibility to evaluate, check and consequently use any and all components.** All information is based on the data available at the time of publishing and is not binding. Bett Sistemi shall not be held liable for any incomplete or wrong information, and for any damage which may arise in connection with such information. The products may be modified at any time without prior notice, **we therefore recommend that you always check the product updates on the website [www.bettsistemi.com](http://www.bettsistemi.com)**



# Constructing the framework



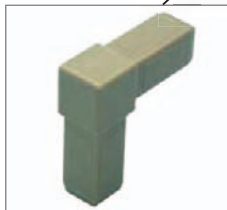
Tubes **Series 25** pg.66  
**Series 30** pg.78



Tubes **Series 25** pg.68  
**Series 30** pg.80



Joints  
for aluminium tubes

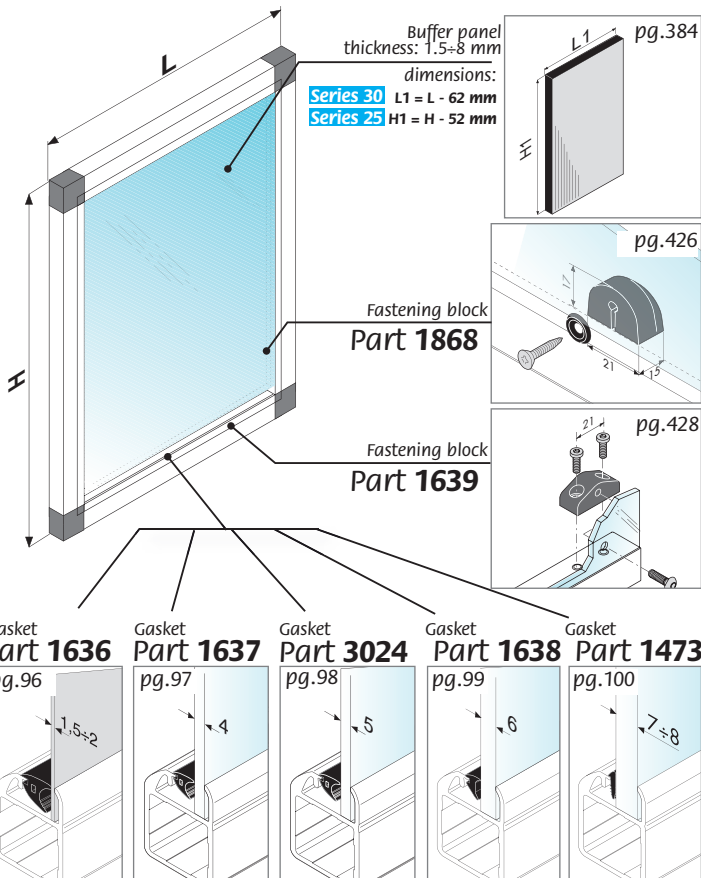


pg.16 **Series 25**  
pg.52 **Series 30**

**Series 25** pg.17  
**Series 30** pg.49

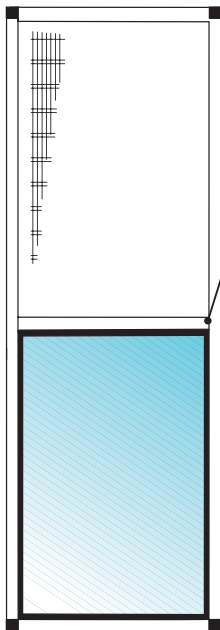


# Fastening the buffer panels

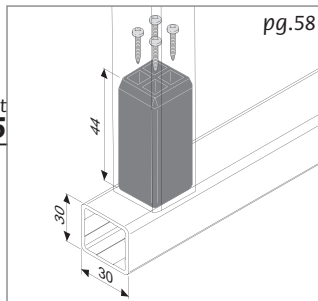




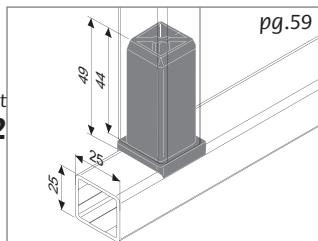
# for **framework** with cross beam



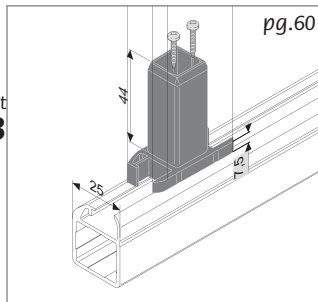
Joint  
**Part 1635**

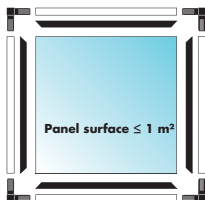


Joint  
**Part 1612**

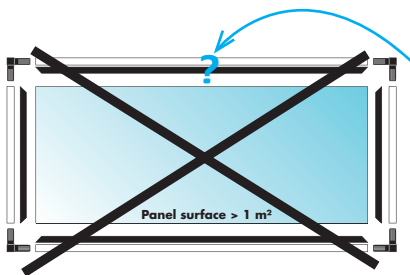


Joint  
**Part 1613**

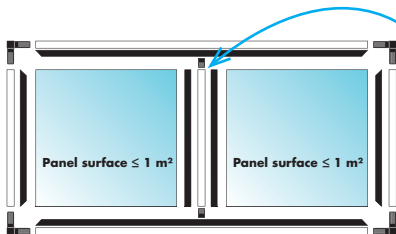




Standard fitting of a buffer panel with surface of less than one  $\text{m}^2$



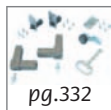
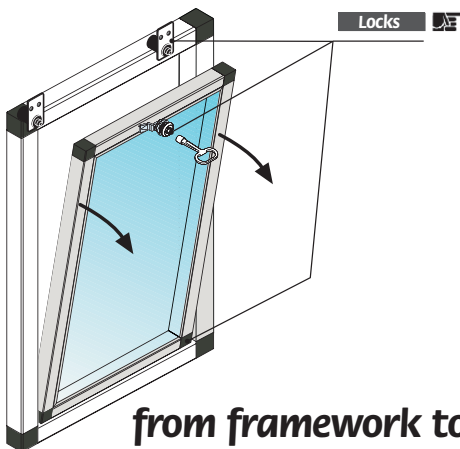
**Wrong fitting** of a buffer panel with surface above one  $\text{m}^2$ . A cross be should be fitted only when a buffer panel needs to be used on surfaces of more than one  $\text{m}^2$ .



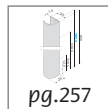
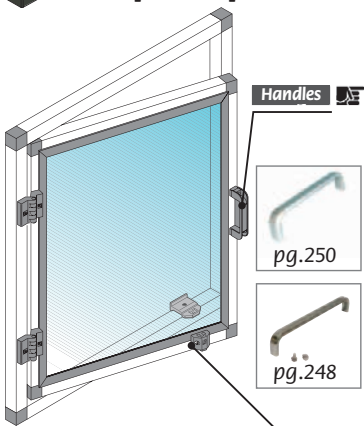
Example of cross beam with joint **Part 1635**.



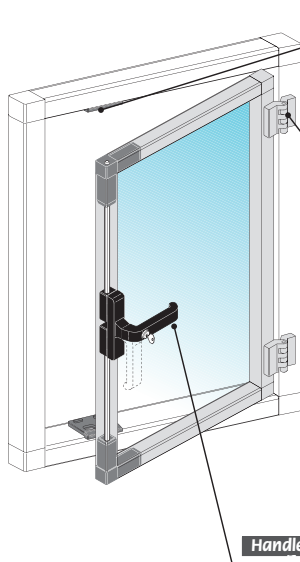
## from framework to **pull-out door**



## from framework to **swing door**



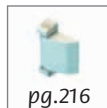
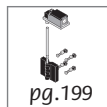
# from framework to swing door



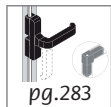
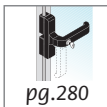
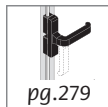
Striker plates



Hinges



Handles

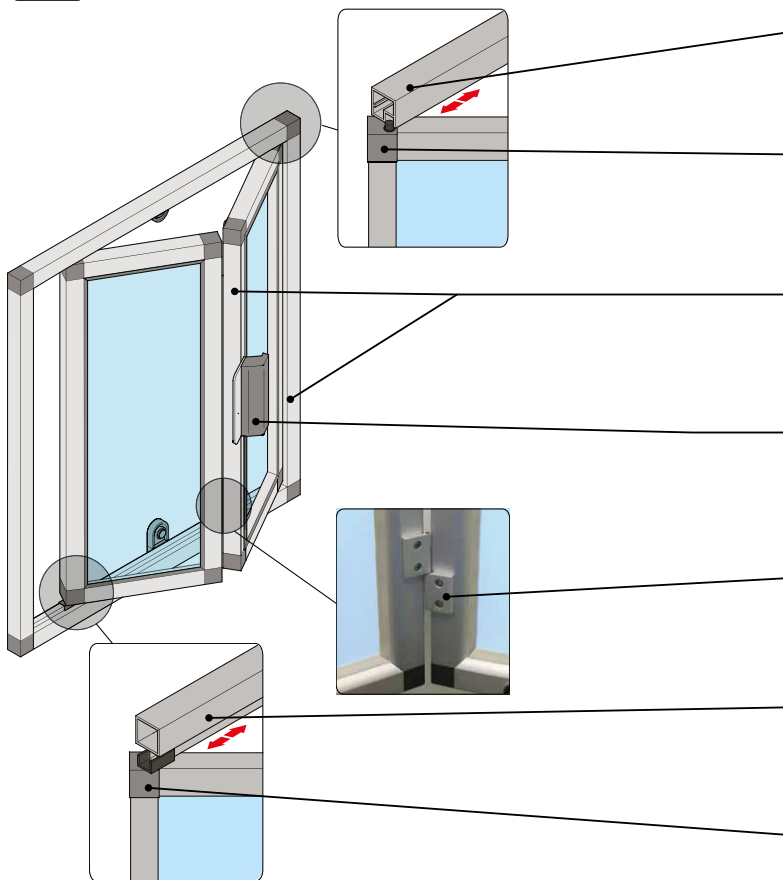


Doorstops





# from framework to **folding door**

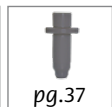




**Profiles** 



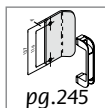
**Joints** 



**Profiles** 



**Handles** 



**Hinges** 



**Profiles** 

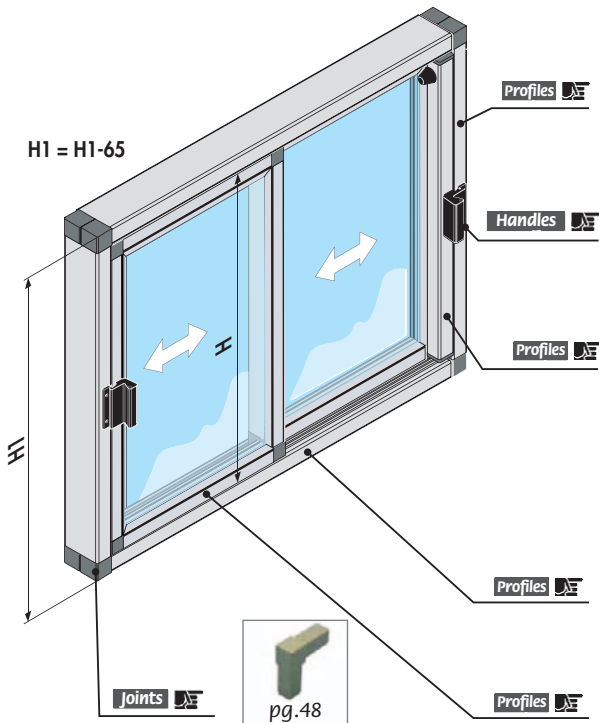
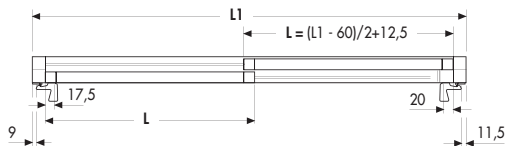


**Joints** 

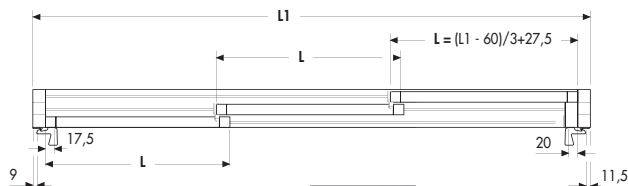




from framework to **sliding door, 2 leaves**



from framework to **sliding door, 3 leaves**



**Profiles** **pg.68**

**Profiles** **pg.90**

**Safety switches**

**pg.374**

**pg.92**

**Striker plates**

**pg.301**

**Joints**

**pg.40**

**Joints**

**pg.48**

**Profiles**

**pg.91**

**H1 = H1-65**

**H1**



## floor-mounted perimeter guards





Series 25

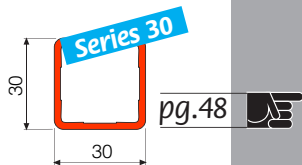
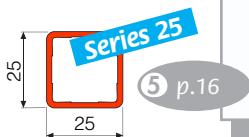
PACK



# Connection joints

## Joints **PACK**

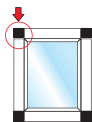
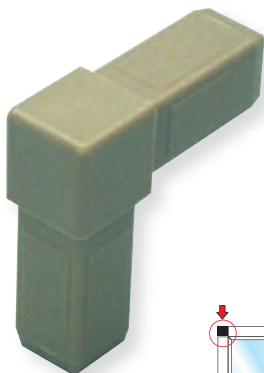
.....  
Normally used to construct doors



### **WARNINGS**

Only the Italian version of this catalogue is to be understood as the original version. Bett Sistemi shall not be held liable for any translation or transcription errors. The information contained in this catalogue is exclusively meant for component description purposes and shall not be understood as a statement made by Bett Sistemi regarding a specific characteristic of the component or its suitability for a specific use. The data provided **shall not relieve the customers from their responsibility to evaluate, check and consequently use any and all components.** All information is based on the data available at the time of publishing and is not binding. Bett Sistemi shall not be held liable for any incomplete or wrong information, and for any damage which may arise in connection with such information. The products may be modified at any time without prior notice, **we therefore recommend that you always check the product updates on the website [www.bettsistemi.com](http://www.bettsistemi.com)**

## 2-track type A

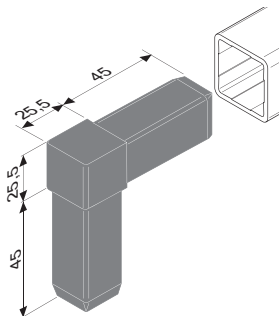


**Use:** Suitable for framework construction with profiles part 1604, 1605.

**Characteristics:** their shape provides optimal locking inside the tube, with no deformation.

**Material:** reinforced polyamide.

### Combinations



*90° cut  
+ 45° cut*

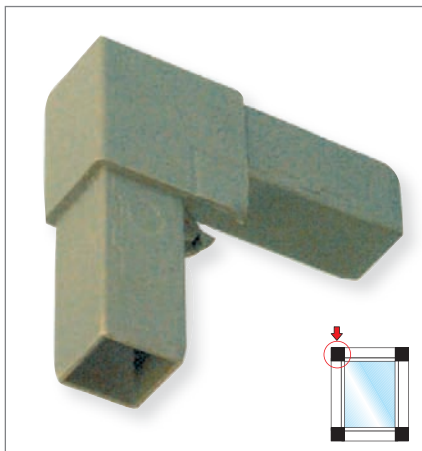
### QUANTITY DISCOUNT

Qty	1+	75+	150+	300+
Discounts	-	-10%	-17%	on request

Code	Pack	Colour	Weight	Stock	€
			g		piece
653512	150 pcs	grey RAL7016	42	✓	2.18
675312	150 pcs	grey RAL7039	42	✓	2.18

1937

2-track with incorporated collar



**Use:** to join profiles part 1605.

**Characteristics:** compared to part 1600 it has the advantage that profiles can be joined without having to cut them 45°, while compared to the version with collar (part 1609) the advantage is that it is longer (45 mm instead of 33 mm) and therefore easier to insert in the profile, thereby avoiding even the smallest differences in colour between collar and joint.

**Material:** reinforced polyamide

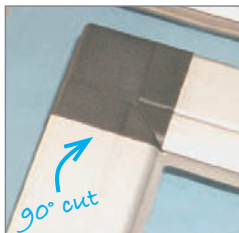
Combinations



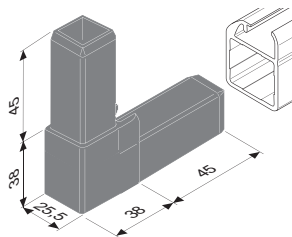
pg.68

pg.72

pg.74



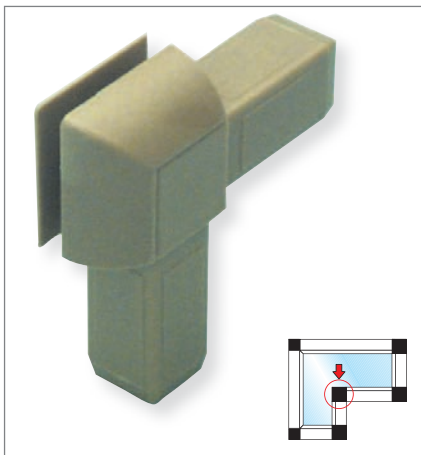
pg.110    
 Assembly instructions:



QUANTITY DISCOUNT

Qty	1+	75+	150+	300+
Discounts	-	-10%	-17%	on request

Code	Pack	Colour	Weight	Stock	€
			g		piece
651673	150 pcs	grey RAL7016	50	✓	3.47
651683	150 pcs	grey RAL7039	50	✓	3.47



**Use:** Suitable for framework construction with part 1605.

**Characteristics:** their shape provides optimal locking inside the tube, with no deformation.

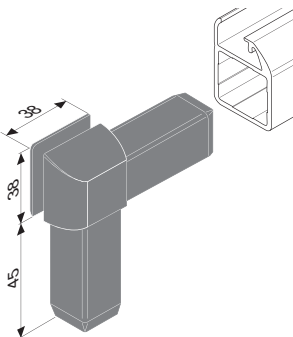
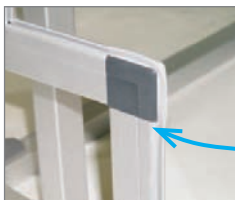
**Material** reinforced polyamide.

#### Combinations



pg.68

pg.72



#### QUANTITY DISCOUNT

Qty	1+	12+	24+	48+
Discounts	-	-10%	-17%	on request

Code	Pack	Colour	Weight	Stock	€
			g		piece
686752	24 pcs	grey RAL7016	54	✓	3.46
686762	24 pcs	grey RAL7039	54	■	3.46

■ Products not in stock minimum order: 24 pieces, delivery in 5 days.

1600B

3-track



**Use:** to construct frames with cross beam.

**Characteristics:** their shape provides optimal locking inside the tube, with no deformation.

**Material** reinforced polyamide without steel core.

Commodity

**Commodity**

These are useful products obtained from the mechanical processing of other standard products, [pg.148](#)

**Combinations**



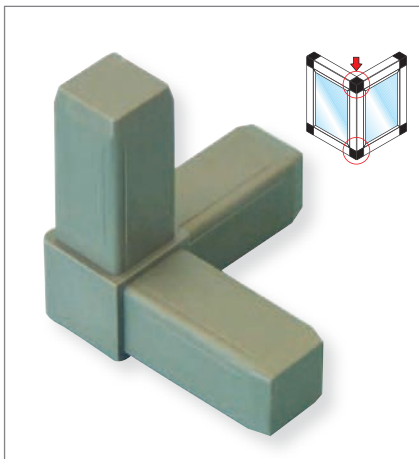
The sales quantities involved with these products do not justify possible investments in new and specific equipment. Therefore, before ordering these items, you should perform tests to check that they are suited to the intended use and that the mechanical characteristics meet your requirements.

**QUANTITY DISCOUNT**

Qty	1+	50+	100+	200+
Discounts	-	-10%	-17%	on request

Code	Pack	Colour	Weight	Stock	€
			g		piece
672577	50 pcs	grey RAL7016	190	■	11.31

■ **Products not in stock** minimum order 50 pieces, delivery in 15 days.

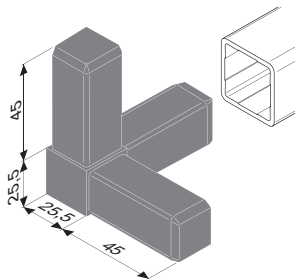


**Use:** Suitable for construction of two 90°-joined walls with only one column using parts 1604, 1605, 1606.

**Characteristics:** their shape provides optimal locking inside the tube, with no deformation.

**Material** reinforced polyamide.

#### Combinations

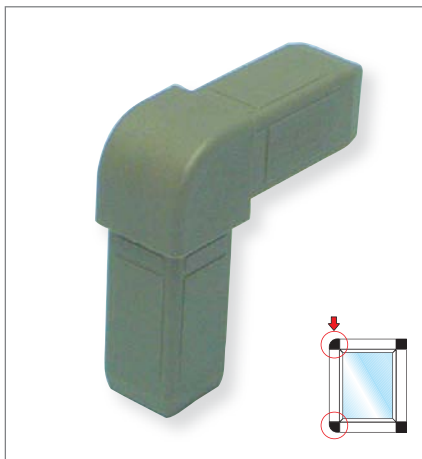


#### QUANTITY DISCOUNT

Qty	1+	75+	150+	300+
Discounts	-	-10%	-17%	on request

Code	Pack	Colour	Weight	Stock	€
			g		piece
664382	150 pcs	grey RAL7016	62	✓	2.36
675372	150 pcs	grey RAL7039	62	✓	2.36

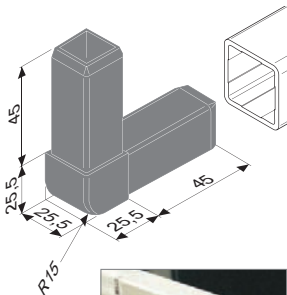
1600 A 2-track type R.15



**Use:** Suitable for framework construction with parts 1604, 1605.

**Characteristics:** their shape provides optimal locking inside the tube, with no deformation. The rounded corner is a safety feature.

**Material:** reinforced polyamide.



Combinations

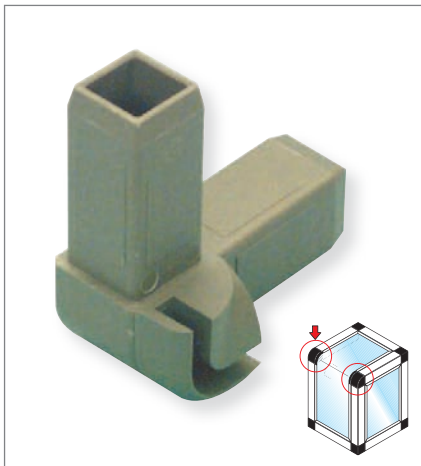


QUANTITY DISCOUNT

Qty	1+	75+	150+	300+
Discounts	-	-10%	-17%	on request

Code	Pack	Colour	Weight	Stock	€
			g		piece
653522	150 pcs	grey RAL7016	36	✓	2.30
675322	150 pcs	grey RAL7039	36	✓	2.30

# 2-track R.15 with 1 side frame

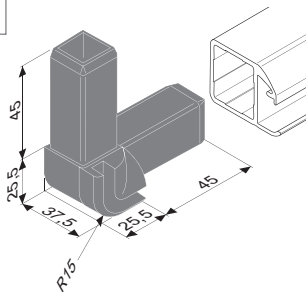


**Use:** Suitable for framework construction with parts 1605, 1606.

**Characteristics:** their shape ensures optimal locking inside the tube, with no deformation. The rounded corner is a safety feature.

**Material** reinforced polyamide.

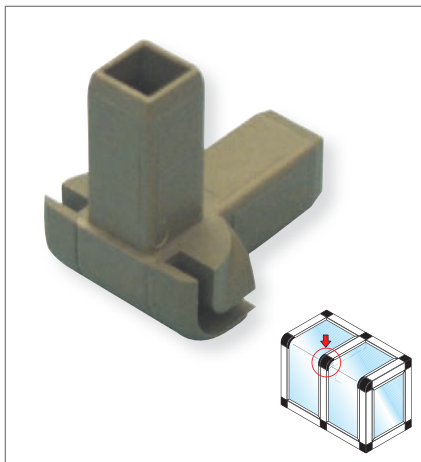
#### Combinations



#### QUANTITY DISCOUNT

Qty	1+	12+	24+	48+
Discounts	-	-10%	-17%	on request

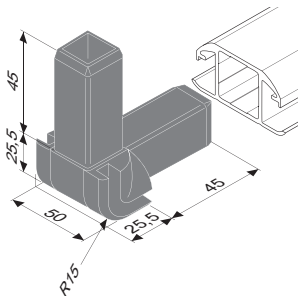
Code	Pack	Colour	Weight	Stock	€
			g		piece
686712	24 pcs	grey RAL7016	40	✓	3.37
686732	24 pcs	grey RAL7039	40	✓	3.37

1747 **2-track** R.15 with 2 side frames

**Use:** Suitable for framework construction with part 1607.

**Characteristics:** their shape provides optimal locking inside the tube, with no deformation. The rounded corner is a safety feature.

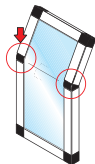
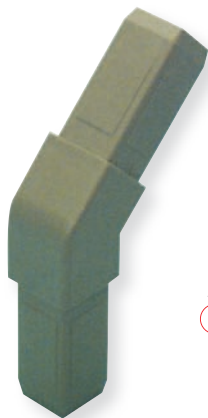
**Material:** reinforced polyamide.

Combinations 

## QUANTITY DISCOUNT

Qty	1+	12+	24+	48+
Discounts	-	-10%	-17%	on request

Code	Pack	Colour	Weight	Stock	€
			g		piece
686722	24 pcs	grey RAL7016	46	✓	4.44
686742	24 pcs	grey RAL7039	46	✓	4.44



**Use:** Suitable for framework construction with parts 1604.

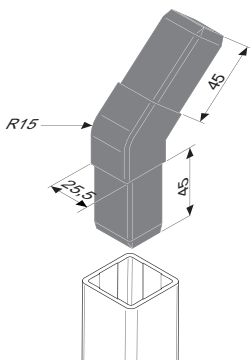
**Characteristics:** their shape ensures optimal locking inside the tube, with no deformation. The rounded corner is a safety feature.

**Material** reinforced polyamide.

#### Combinations



pg.66

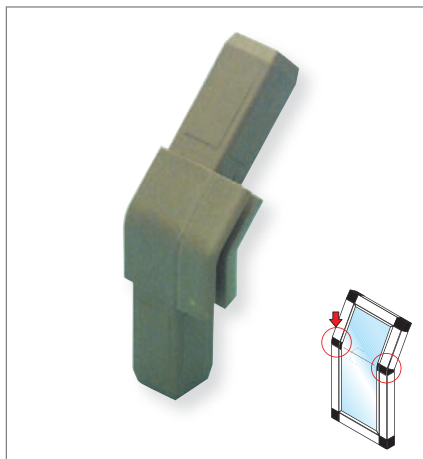


#### QUANTITY DISCOUNT

Qty	1+	75+	150+	300+
Discounts	-	-10%	-17%	on request

Code	Pack	Colour	Weight g	Stock	€
					piece
664352	150 pcs	grey RAL7016	44	✓	2.30
675352	150 pcs	grey RAL7039	44	✓	2.30

1749 2-track 135° with 1 side frame

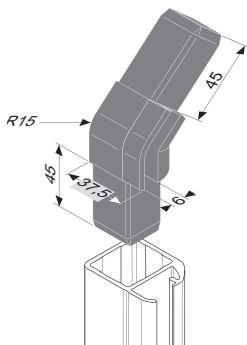


**Use:** Suitable for framework construction with part 1605.

**Characteristics:** their shape provides optimal locking inside the tube, with no deformation. The rounded corner is a safety feature.

**Material:** reinforced polyamide.

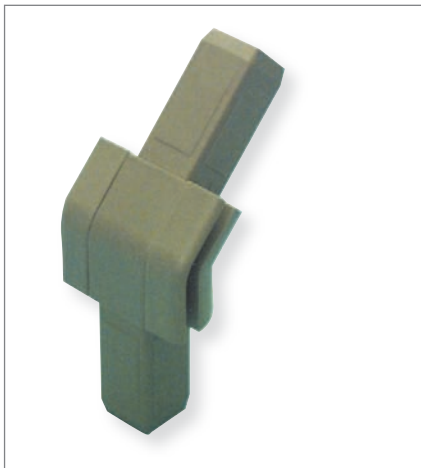
Combinations



QUANTITY DISCOUNT

Qty	1+	12+	24+	48+
Discounts	-	-10%	-17%	on request

Code	Pack	Colour	Weight	Stock	€
			g		piece
686772	24 pcs	grey RAL7016	52	✓	4.28
686792	24 pcs	grey RAL7039	52	✓	4.28

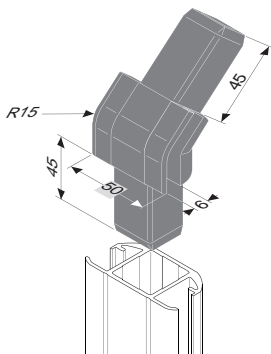


**Use:** Suitable for framework construction with parts 1607.

**Characteristics:** their shape ensures optimal locking inside the tube, with no deformation. The rounded corner is a safety feature.

**Material** reinforced polyamide.

### Combinations



### QUANTITY DISCOUNT

Qty	1+	12+	24+	48+
Discounts	-	-10%	-17%	on request

Code	Pack	Colour	Weight	Stock	€
			g		piece
686782	24 pcs	grey RAL7016	60	✓	6.54
686802	24 pcs	grey RAL7039	60	✓	6.54

## 1634

Series 25

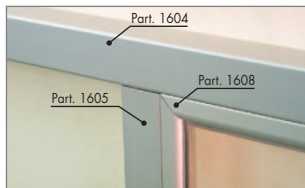
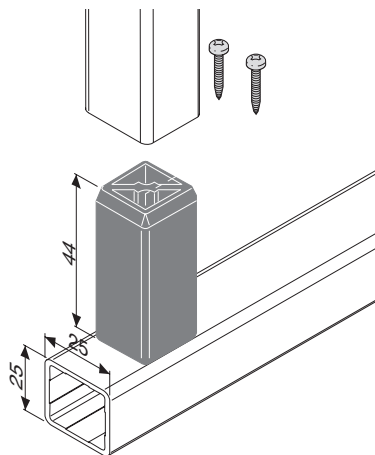
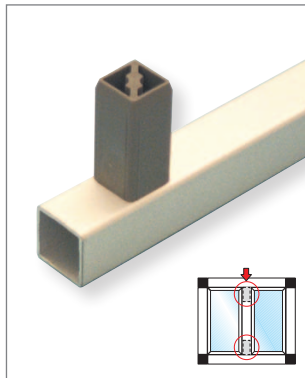
## 2-track embedded in the cross-beam

**Use:** suitable for fitting cross beams on frames with parts 1604, 1605, 1607.

**Material:** reinforced polyamide.

**Characteristics:** it is used to stiffen doors, avoiding to cut the tubes.

**Combinations**



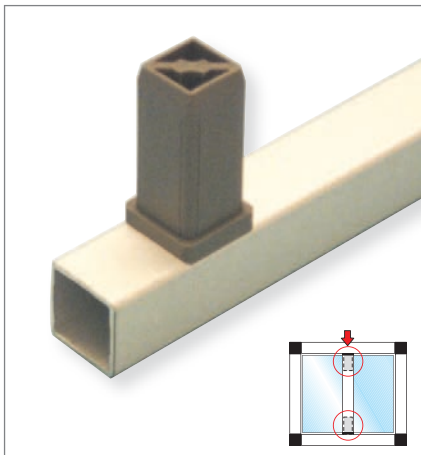
### QUANTITY DISCOUNT

Q.ty	1+	75+	150+	300+
Discounts	-	-10%	-17%	on request

Order code	Pack	Colour	Weight g	Stock	€ piece
665242	150 pcs	grey RAL7016	14	✓	0,88

**Warning:** as it is embedded, the colour in the table is only indicative.

# 2-track internal, for cross beam

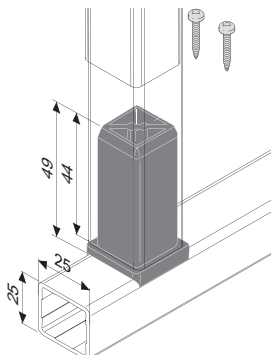
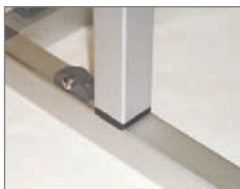


**Use:** Suitable for fitting cross beams on frames with part 1604.

**Characteristics:** it is used to stiffen doors, avoiding to cut the tubes.

**Material:** reinforced polyamide.

### Combinations



### QUANTITY DISCOUNT

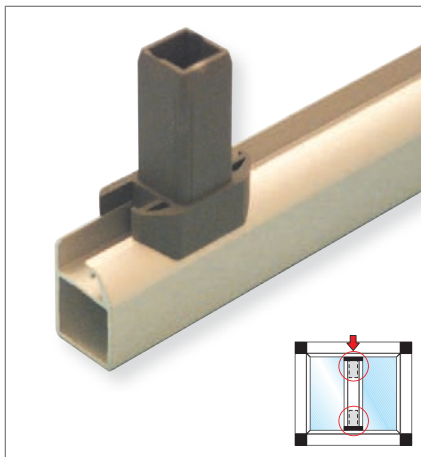
Qty	1+	75+	150+	300+
Discounts	-	-10%	-17%	on request

Code	Pack	Colour	Weight	Stock	€
			g		piece
664412	150 pcs	grey RAL7016	18	✓	0.86
675452	150 pcs	grey RAL7039	18	✓	0.86

PACK

Series 25

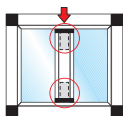
1603

**2-track** internal, for cross beam

**Use:** suitable to fit cross beams made with profile Part 1607, on frameworks constructed with profile part 1605.

**Characteristics:** it is used to stiffen doors, avoiding to cut the tubes.

**Material** reinforced polyamide.

Combinations 

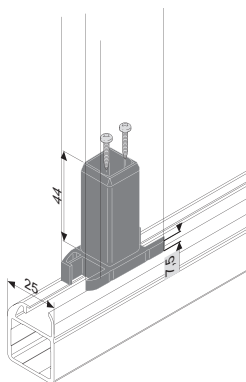
pg.68



pg.70



pg.433

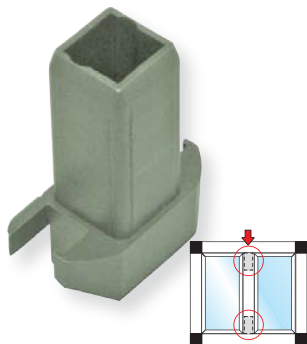


## QUANTITY DISCOUNT

Qty	1+	75+	150+	300+
Discounts	-	-10%	-17%	on request

Code	Pack	Colour	Weight	Stock	€
			g		piece
664432	150 pcs	grey RAL7016	22	✓	2.30
675482	150 pcs	grey RAL7039	22	✓	2.30

Only for groove 4



**Use:** suitable for fitting cross beams made with profile Part 2939 on frameworks constructed with profile Part 2672.

**Characteristics:** it is used to stiffen doors, avoiding to cut the tubes.

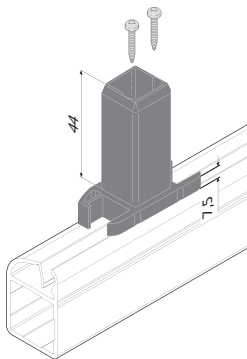
**Material:** reinforced polyamide.

#### Combinations



pg.113

Assembly instructions:



#### QUANTITY DISCOUNT

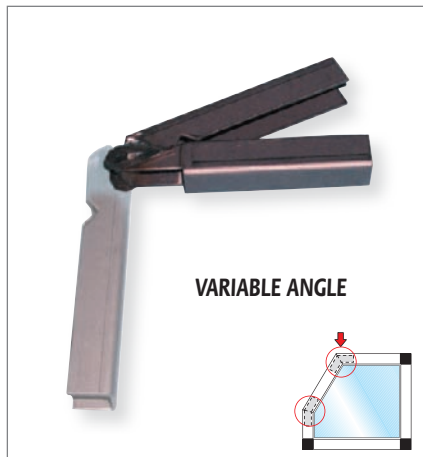
Qty	1+	75+	150+	300+
Discounts	-	-10%	-17%	on request

Code	Pack	Colour	Weight	Stock	€
			g		piece
616816	150 pcs	grey RAL7016	22	✓	4.54
616826	150 pcs	grey RAL7039	22	■	4.54

■ Products not in stock minimum order: 150 pieces, delivery in 10 days.

2078

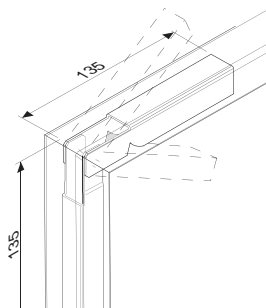
For internal reinforcement, **embedded**



**Use:** to join the profiles with different angles (part 1604, 1605 and 2672).  
**Characteristics:** variable opening from 18° to 270°.

**Material** iron.

**Combinations**



**QUANTITY DISCOUNT**

Qty	1+	5+	10+	20+
Discounts	-	-10%	-17%	on request

Code	Pack	Colour	Weight	Stock	€
			g		piece
666345	10 pcs	grey RAL7016	200	✓	16.15

Series 25

## 3752 2-track with electric conductivity system



**Use:** suitable for tubes size 25x25, thickness 2.

**Characteristics:** its structure ensures proper locking inside the tube with no deformation; during fitting, the connection angle removes the anodization layer on the tube, thereby assuring electric conductivity within the structure.

**Material** reinforced polyamide, connection angle in stainless steel.

### Combinations



pg.66

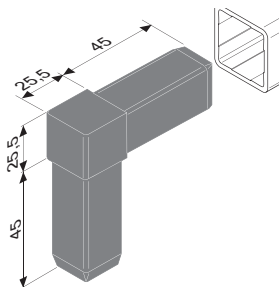
pg.68

pg.72

pg.74



*anodizing removed*



### QUANTITY DISCOUNT

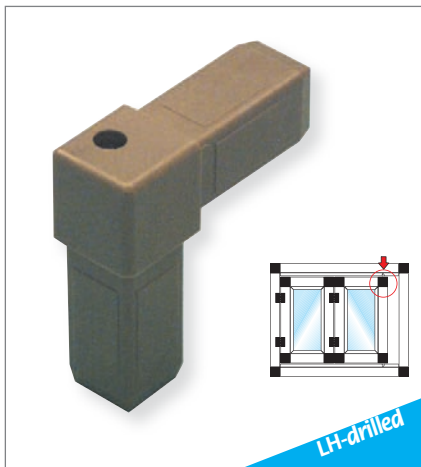
Qty	1+	75+	150+	300+
Discounts	-	-10%	-17%	on request

Code	Pack	Colour	Weight g	Stock	€ piece
665307	150 pcs	grey RAL7016	46	■	6.06
665297	150 pcs	grey RAL7039	46	■	6.06

■ **Products not in stock** minimum order: 150 pieces, delivery in 15 days.

1633

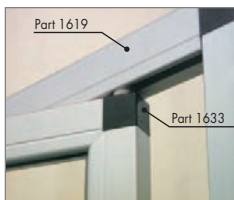
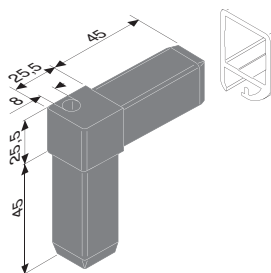
2-track drilled, for pin fitting



**Use:** it can be used in combination with Part 1642 or 3078 to manufacture folding doors.

**Material** reinforced polyamide.

Combinations



QUANTITY DISCOUNT

Qty	1+	75+	150+	300+
Discounts	-	-10%	-17%	on request

Code	Pack	Colour	Weight	Stock	€
			g		piece
665142	150 pcs	grey RAL7016	34	✓	2.98
675602	150 pcs	grey RAL7039	34	✓	2.98

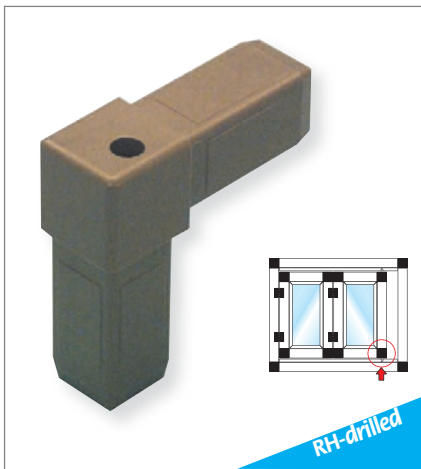
Series 25

1633

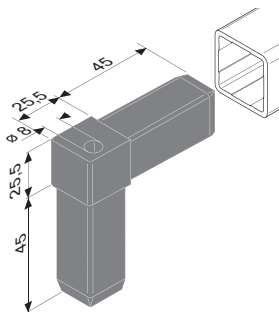
## 2-track drilled, for pin fitting

**Use:** it can be used in combination with Part 1642 or 3078 to manufacture folding doors.

**Material** reinforced polyamide.



**Combinations**



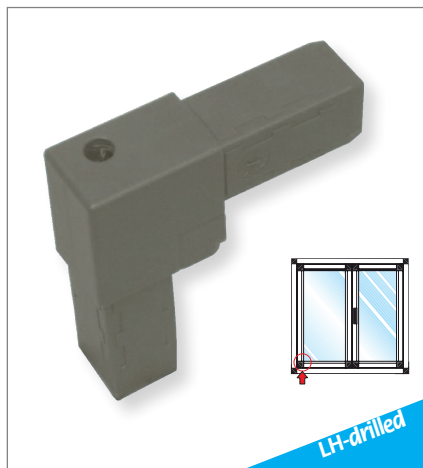
**QUANTITY DISCOUNT**

Qty	1+	75+	150+	300+
Discounts	-	-10%	-17%	on request

Code	Pack	Colour	Weight	Stock	€
			g		piece
665132	150 pcs	grey RAL7016	34	✓	2.98
675592	150 pcs	grey RAL7039	34	✓	2.98

3197

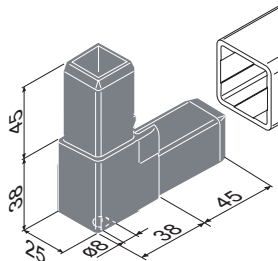
2-track drilled, for pin fitting



**Use:** it can be used with parts 1642, 1619, 1605, 3077 and 3078 to construct folding doors.

**Material** reinforced polyamide.

Combinations



QUANTITY DISCOUNT

Qty	1+	75+	150+	300+
Discounts	-	-10%	-17%	on request

Code	Pack	Colour	Weight	Stock	€
			g		piece
654225	150 pcs	grey RAL7016	49	✓	4.26
654245	150 pcs	grey RAL7039	49	■	4.26

■ Products not in stock minimum order: 150 pieces, delivery in 10 days.

Series 25

3197

## 2-track drilled, for pin fitting

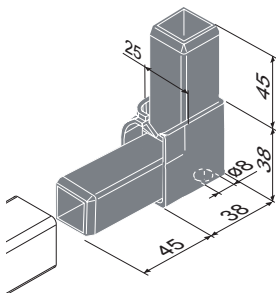
**Use:** it can be used in combination with parts 1642, 1619, 1605, 3077 and 3078 to construct folding doors.

**Material** reinforced polyamide.



RH-drilled

Combinations



### QUANTITY DISCOUNT

Qty	1+	75+	150+	300+
Discounts	-	-10%	-17%	on request

Code	Pack	Colour	Weight	Stock	€
			g		piece
654215	150 pcs	grey RAL7016	49	✓	4.26
654235	150 pcs	grey RAL7039	49	■	4.26

■ **Products not in stock** minimum order: 150 pieces, delivery in 10 days.

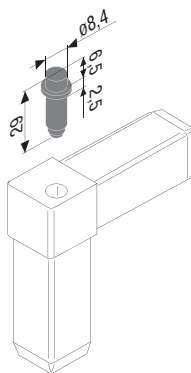
**PACK**

# 1642 Sliding pin



**Use:** to be used in combination with Parts 1633 and 1619, for folding doors and sliding doors.

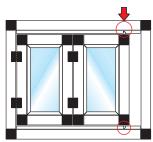
**Material** polyacetal.

**Combinations**

**QUANTITY DISCOUNT**

Qty	1+	75+	150+	300+
Discounts	-	-10%	-17%	on request

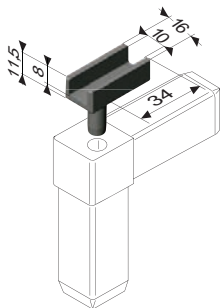
Code	Pack	Colour	Weight	Stock	€
675612	150 pcs	white	g 2	✓	piece 1.96

## 3078 Sliding pin



**Use:** to be used in combination with Part 1633, for folding doors and sliding doors.

**Material:** Nylon and graphite.



### Combinations



pg.33



pg.34



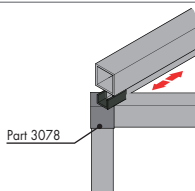
pg.35



pg.36



pg.88

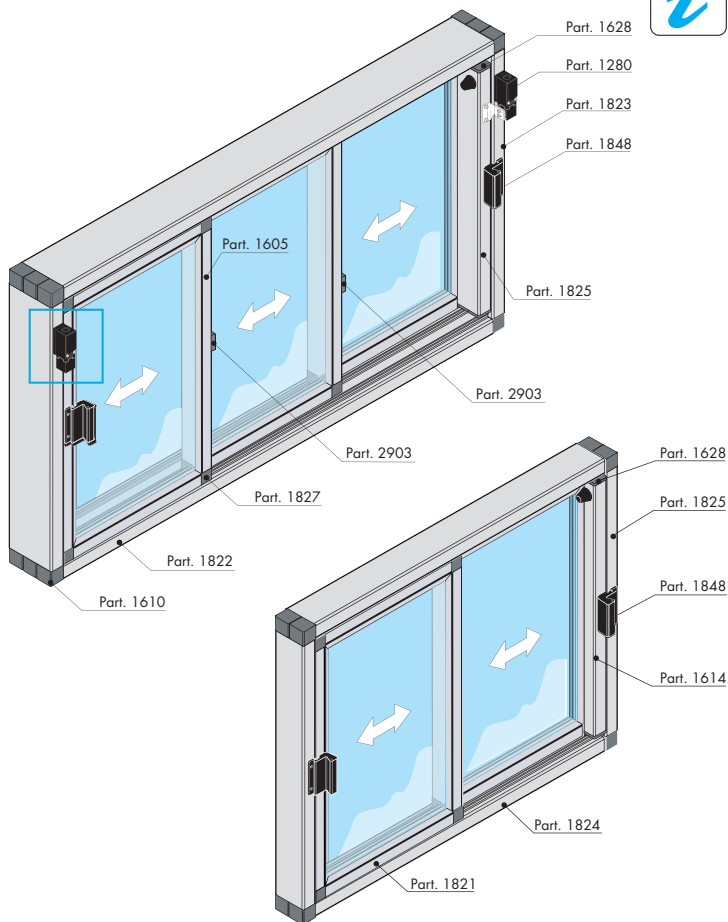


### QUANTITY DISCOUNT

Qty	1+	75+	150+	300+
Discounts	-	-10%	-17%	on request

Code	Pack	Colour	Weight	Stock	€
			g		piece
619706	150 pcs	grey RAL7016	4.5	✓	1.31
619716	150 pcs	grey RAL7039	4.5	■	1.31

■ **Products not in stock** minimum order: 150 pieces, delivery in 15 days.



Series 25

## 1827

## 2-track for sliding doors

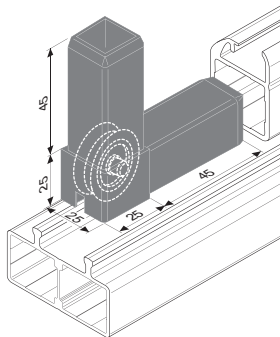
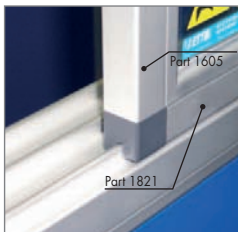


with internal roller

**Use:** to manufacture sliding doors, in combination with part 1821.

**Material:** reinforced polyamide.

Combinations



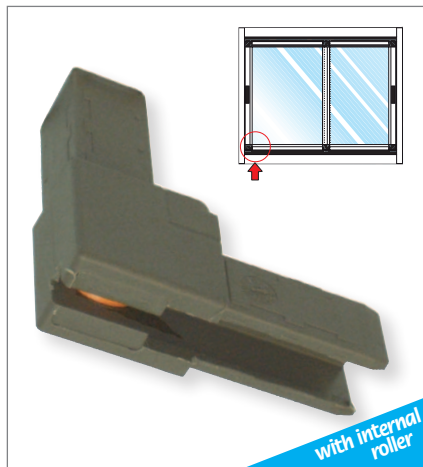
### QUANTITY DISCOUNT

Qty	1+	12+	24+	48+
Discounts	-	-10%	-17%	on request

Code	Pack	Colour	Weight	Stock	€
			g		piece
602503	24 pcs	grey RAL7016	42	✓	14.77
602513	24 pcs	grey RAL7039	42	✓	14.77

3207

2-track with LH collar



**Use:** to manufacture sliding doors, with part 1821.

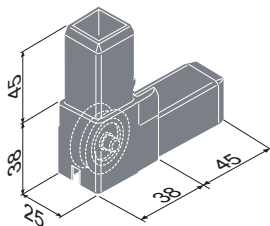
**Material:** reinforced polyamide.

with internal roller

Combinations



pg.75



QUANTITY DISCOUNT

Qty	1+	12+	24+	48+
Discounts	-	-10%	-17%	on request

Code	Pack	Colour	Weight	Stock	€
			g		piece
654255	24 pcs	grey RAL7016	42	✓	16.05
654265	24 pcs	grey RAL7039	42	✓	16.05

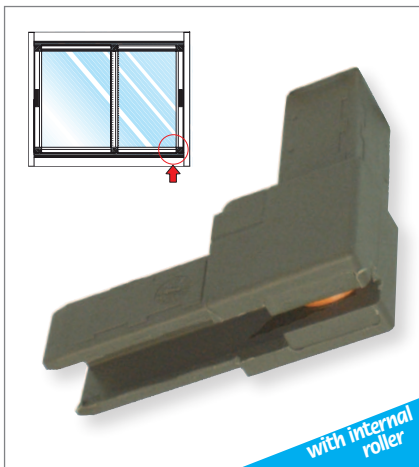
Series 25

3207

## 2-track with RH collar

**Use:** to manufacture sliding doors, with part 1821.

**Material:** reinforced polyamide.

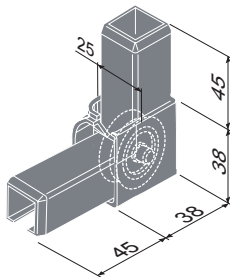


with internal roller

Combinations



pg.75



### QUANTITY DISCOUNT

Qty	1+	12+	24+	48+
Discounts	-	-10%	-17%	on request

Code	Pack	Colour	Weight	Stock	€
			g		piece
665885	24 pcs	grey RAL7016	42	✓	16.05
665895	24 pcs	grey RAL7039	42	✓	16.05

3217

2-track with LH collar

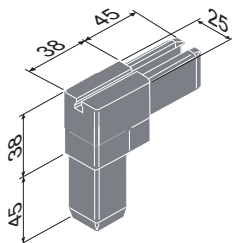


**Use:** to construct burglarproof sliding doors, with part 1821.

**Material** reinforced polyamide.

sliding

Combinations



QUANTITY DISCOUNT

Qty	1+	12+	24+	48+
Discounts	-	-10%	-17%	on request

Code	Pack	Colour	Weight	Stock	€
			g		piece
665905	24 pcs	grey RAL7016	42	✓	7.19
665915	24 pcs	grey RAL7039	42	■	7.19

■ Products not in stock minimum order: 120 pieces, delivery in 15 days.

Series 25

3217

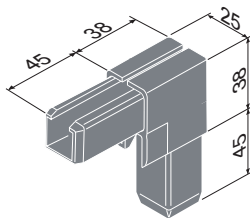
## 2-track with RH collar



**Use:** to construct burglarproof sliding doors, with part 1821.

**Material** reinforced polyamide.

Combinations



### QUANTITY DISCOUNT

Qty	1+	12+	24+	48+
Discounts	-	-10%	-17%	on request

Code	Pack	Colour	Weight g	Stock	€ piece
654295	24 pcs	grey RAL7016	42	✓	7.19
654305	24 pcs	grey RAL7039	42	■	7.19

■ **Products not in stock** minimum order: 120 pieces, delivery in 15 days.



PACK

pg.454



Series 30

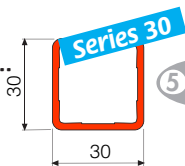
PACK



# Connection joints

Joints **PACK**

.....  
Normally used to construct  
doors



5 pg.48



## WARNINGS

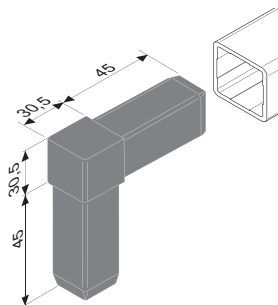
Only the Italian version of this catalogue is to be understood as the original version. Bett Sistemi shall not be held liable for any translation or transcription errors. The information contained in this catalogue is exclusively meant for component description purposes and shall not be understood as a statement made by Bett Sistemi regarding a specific characteristic of the component or its suitability for a specific use. The data provided **shall not relieve the customers from their responsibility to evaluate, check and consequently use any and all components.** All information is based on the data available at the time of publishing and is not binding. Bett Sistemi shall not be held liable for any incomplete or wrong information, and for any damage which may arise in connection with such information. The products may be modified at any time without prior notice, **we therefore recommend that you always check the product updates on the website [www.bettsistemi.com](http://www.bettsistemi.com)**



**Use:** Suitable for framework construction with parts 1614, 1615.

**Characteristics:** their shape provides optimal locking inside the tube, with no deformation.

**Material** reinforced polyamide.



#### Combinations

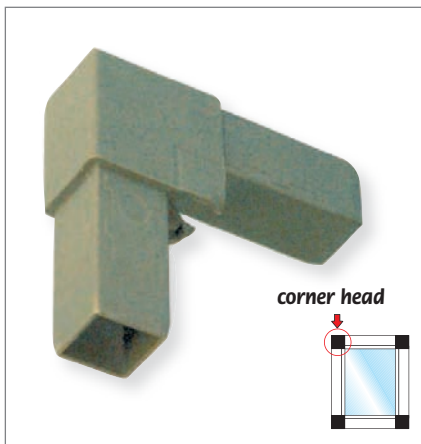


#### QUANTITY DISCOUNT

Qty	1+	50+	100+	200+
Discounts	-	-10%	-17%	on request

Code	Pack	Colour	Weight g	Stock	€
					piece
653532	100 pcs	grey RAL7016	44	✓	2.46
675332	100 pcs	grey RAL7039	44	✓	2.46

## 1938 2-track corner head with collars

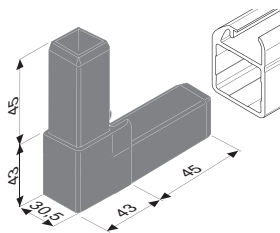
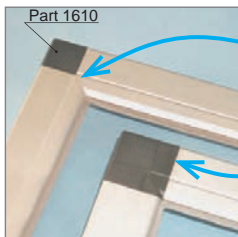


**Use:** to join profiles part 1615.

**Characteristics:** compared to part 1610, this features the advantage that profiles can be coupled without having to cut them 45°.

**Material** reinforced polyamide.

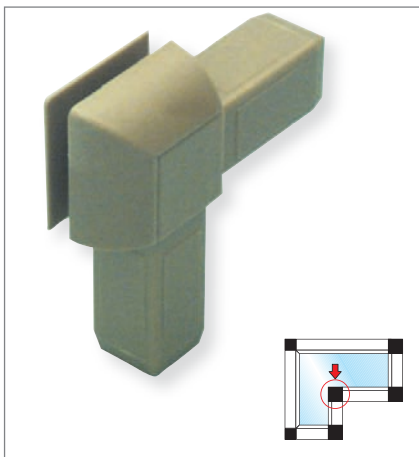
## Combinations



## QUANTITY DISCOUNT

Qty	1+	50+	100+	200+
Discounts	-	-10%	-17%	on request

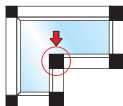
Code	Pack	Colour	Weight	Stock	€
			g		piece
651693	100 pcs	grey RAL7016	34	✓	3.74
651703	100 pcs	grey RAL7039	34	✓	3.74



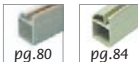
**Use:** Suitable for framework construction with part 1615.

**Characteristics:** their shape provides optimal locking inside the tube, with no deformation.

**Material:** reinforced polyamide.

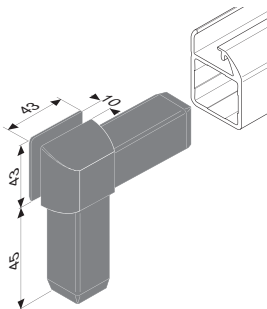


#### Combinations



pg.80

pg.84

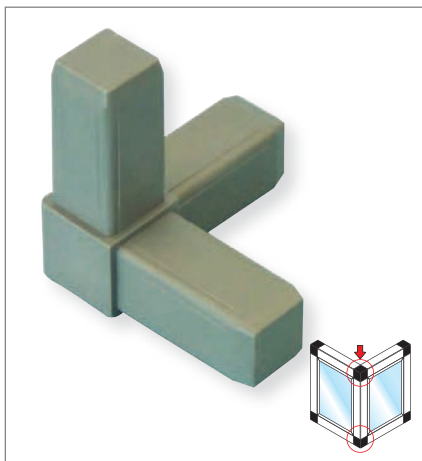


#### QUANTITY DISCOUNT

Qty	1+	12+	24+	48+
Discounts	-	-10%	-17%	on request

Code	Pack	Colour	Weight	Stock	€
			g		piece
686852	24 pcs	grey RAL7016	68	✓	4.77
686862	24 pcs	grey RAL7039	68	■	4.77

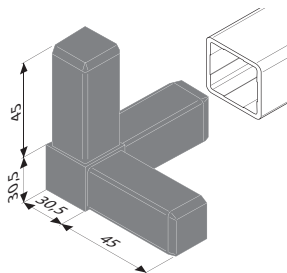
■ Products not in stock minimum order: 24 pieces, delivery in 5 days.

1610 **D** 3-track type D

**Use:** Suitable for construction of two 90°-joined walls with only one column using parts 1614, 1615, 1616.

**Characteristics:** their shape provides optimal locking inside the tube, with no deformation.

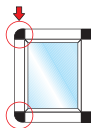
**Material:** reinforced polyamide.

Combinations 

## QUANTITY DISCOUNT

Qty	1+	50+	100+	200+
Discounts	-	-10%	-17%	on request

Code	Pack	Colour	Weight	Stock	€
			g		piece
664402	100 pcs	grey RAL7016	96	✓	2.57
675392	100 pcs	grey RAL7039	96	✓	2.57

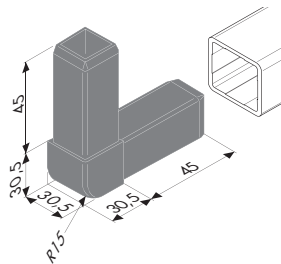


**Use:** Suitable for framework construction with parts 1614, 1615.

**Characteristics:** their shape provides optimal locking inside the tube, with no deformation. The rounded corner is a safety feature.

**Material:** reinforced polyamide.

### Combinations



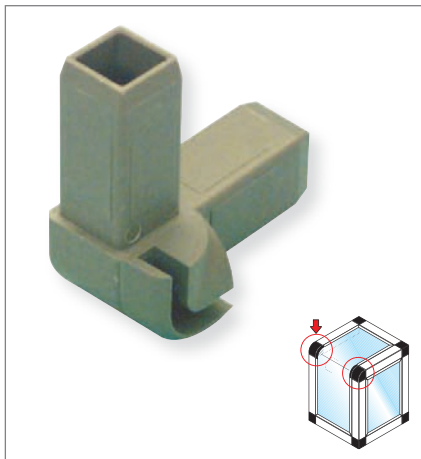
### QUANTITY DISCOUNT

Qty	1+	50+	100+	200+
Discounts	-	-10%	-17%	on request

Code	Pack	Colour	Weight	Stock	€
			g		piece
664342	100 pcs	grey RAL7016	52	✓	2.58
675342	100 pcs	grey RAL7039	52	✓	2.58

1751

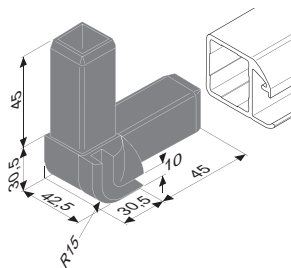
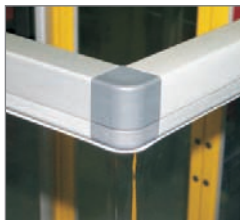
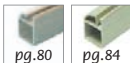
## 2-track R.15 with side frame



**Use:** Suitable for framework construction with parts 1615, 1616.

**Characteristics:** their shape ensures optimal locking inside the tube, with no deformation. The rounded corner is a safety feature.

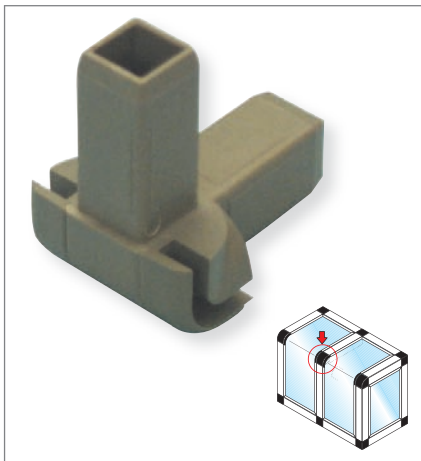
**Material:** reinforced polyamide.

Combinations 

## QUANTITY DISCOUNT

Qty	1+	12+	24+	48+
Discounts	-	-10%	-17%	on request

Code	Pack	Colour	Weight	Stock	€
			g		piece
686812	24 pcs	grey RAL7016	60	✓	3.65
686832	24 pcs	grey RAL7039	60	✓	3.65

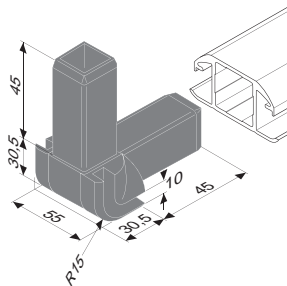


**Use:** Suitable for framework construction with part 1617.

**Characteristics:** their shape provides optimal locking inside the tube, with no deformation. The rounded corner is a safety feature.

**Material** reinforced polyamide.

### Combinations



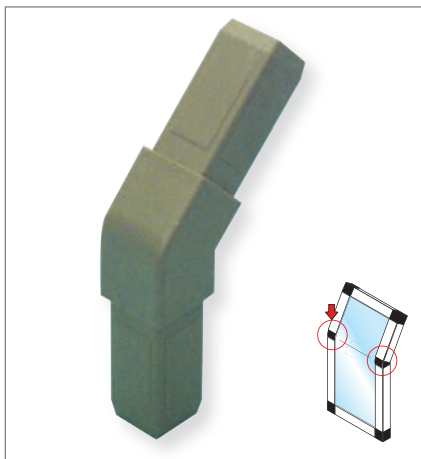
### QUANTITY DISCOUNT

Qty	1+	12+	24+	48+
Discounts	-	-10%	-17%	on request

Code	Pack	Colour	Weight	Stock	€
			g		piece
686822	24 pcs	grey RAL7016	66	✓	4.72
686842	24 pcs	grey RAL7039	66	✓	4.72

1611

2-track 135°

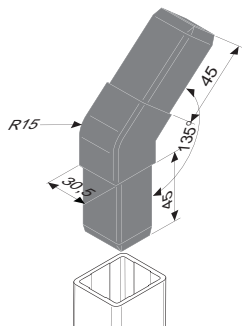


**Use:** Suitable for framework construction with parts 1614.

**Characteristics:** their shape ensures optimal locking inside the tube, with no deformation. The rounded corner is a safety feature.

**Material:** reinforced polyamide.

Combinations 

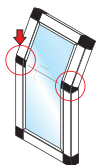
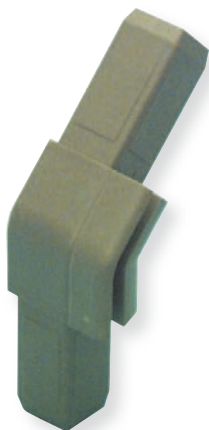


QUANTITY DISCOUNT

Qty	1+	50+	100+	200+
Discounts	-	-10%	-17%	on request

Code	Pack	Colour	Weight	Stock	€
			g		piece
664362	100 pcs	grey RAL7016	58	✓	2.58
675362	100 pcs	grey RAL7039	58	✓	2.58

# 2-track at 135° with side frame

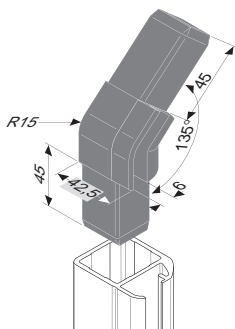


**Use:** Suitable for framework construction with part 1615.

**Characteristics:** their shape provides optimal locking inside the tube, with no deformation. The rounded corner is a safety feature.

**Material:** reinforced polyamide.

#### Combinations

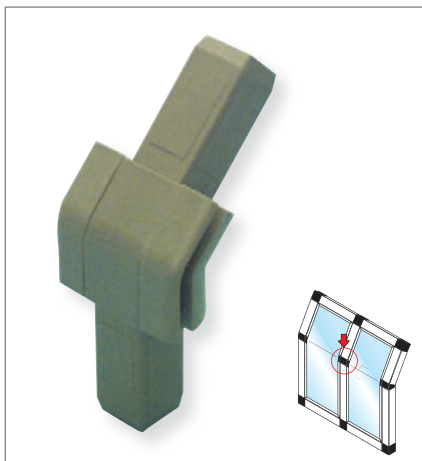


#### QUANTITY DISCOUNT

Qty	1+	12+	24+	48+
Discounts	-	-10%	-17%	on request

Code	Pack	Colour	Weight	Stock	€
			g		piece
686872	24 pcs	grey RAL7016	66	✓	3.55
686892	24 pcs	grey RAL7039	66	✓	3.55

1755 2-track intermediate, 135° with frames

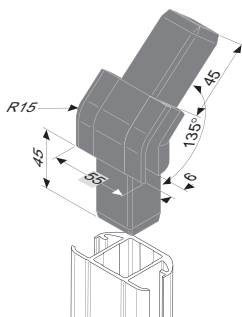


**Use:** Suitable for framework construction with part 1617.

**Characteristics:** their shape ensures optimal locking inside the tube, with no deformation. The rounded corner is a safety feature.

**Material:** reinforced polyamide.

Combinations



QUANTITY DISCOUNT

Qty	1+	12+	24+	48+
Discounts	-	-10%	-17%	on request

Code	Pack	Colour	Weight	Stock	€
			g		piece
686882	24 pcs	grey RAL7016	74	✓	4.52
686902	24 pcs	grey RAL7039	74	✓	4.52

## 1635

Series 30

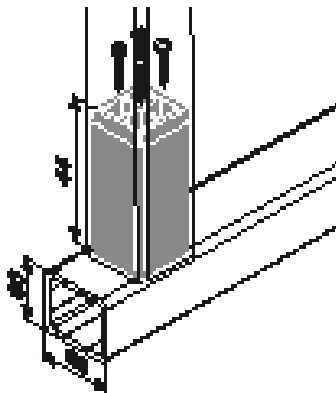
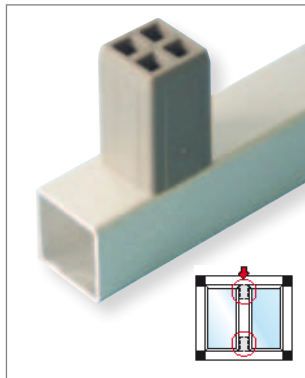
# Embedded, internal for cross beam

**Use:** suitable for fitting cross beams on frames with parts 1614, 1615, 1617.

**Material:** reinforced polyamide.

**Characteristics:** to stiffen structures, avoiding to cut the tubes.

**Combinations:**



### QUANTITY DISCOUNT

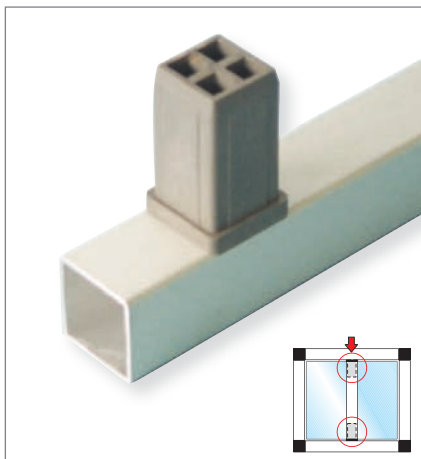
Q.ty	1+	50+	100+	200+
Discounts	-	-10%	-17%	on request

Order code	Pack	Colour	Weight g	Stock	€ piece
665252	100 pcs	grey RAL7016	26	✓	0,75

**Warning:** as it is embedded, the colour in the table is only indicative.

1612

# Internal joint for cross beam

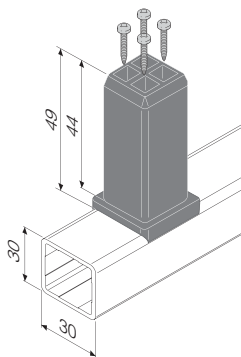


**Use:** Suitable for fitting cross beams on frames with parts 1614.

**Characteristics:** to stiffen structures, avoiding to cut the tubes.

**Material:** reinforced polyamide.

**Combinations**

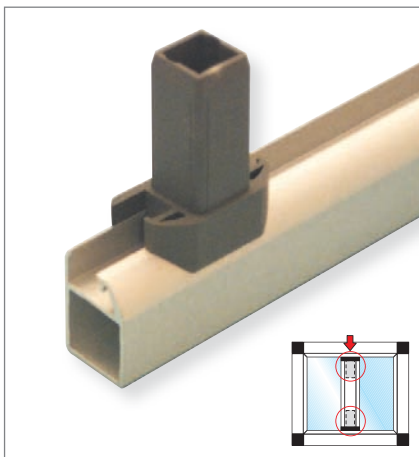


**QUANTITY DISCOUNT**

Qty	1+	50+	100+	200+
Discounts	-	-10%	-17%	on request

Code	Pack	Colour	Weight	Stock	€
			g		piece
664422	100 pcs	grey RAL7016	32	✓	0.73
675432	100 pcs	grey RAL7039	32	✓	0.73

# Internal, for cross beam

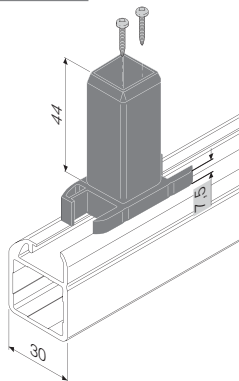


**Use:** Suitable for fitting cross beams on frames with part 1617.

**Characteristics:** to stiffen structures, avoiding to cut the tubes.

**Material:** reinforced polyamide.

pg 113 Assembly instructions:



#### Combinations

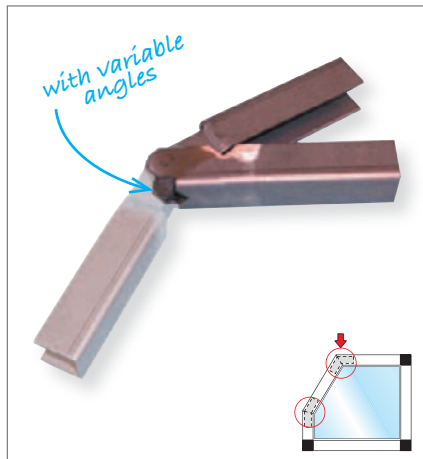


#### QUANTITY DISCOUNT

Qty	1+	50+	100+	200+
Discounts	-	-10%	-17%	on request

Code	Pack	Colour	Weight	Stock	€
			g		piece
664442	100 pcs	grey RAL7016	30	✓	2.30
675492	100 pcs	grey RAL7039	30	✓	2.30

2079 Embedded, for internal reinforcement

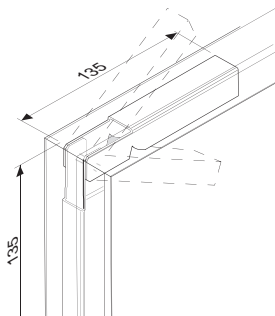


**Use:** to join the profiles with different angles (part 1614).

**Characteristics:** variable opening from 30° to 240°.

**Material:** iron.

Combinations



QUANTITY DISCOUNT

Qty	1+	5+	10+	20+
Discounts	-	-10%	-17%	on request

Code	Pack	Colour	Weight	Stock	€
			g		piece
666355	10 pcs	grey RAL7016	260	✓	16.15

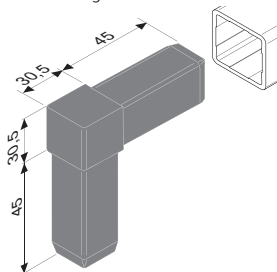
# With electric conductivity system



**Use:** suitable for tubes size 30x30, thickness 2.

**Characteristics:** its structure ensures proper locking inside the tube with no deformation; during fitting, the connection angle removes the anodization layer on the tube, thereby assuring electric conductivity within the structure.

**Material** joint in reinforced polyamide, connection angle in stainless steel.



#### Combinations



#### QUANTITY DISCOUNT

Qty	1+	75+	150+	300+
Discounts	-	-10%	-17%	on request

Code	Pack	Colour	Weight	Stock	€
			g		piece
665317	150 pcs	grey RAL7016	48	■	6.33
665327	150 pcs	grey RAL7039	48	■	6.33

■ Products not in stock minimum order: 100 pieces, delivery in 15 days.



PACK

pg. 454

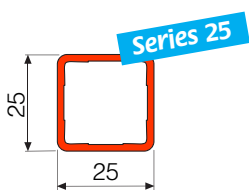


**Series 25**

**PACK**

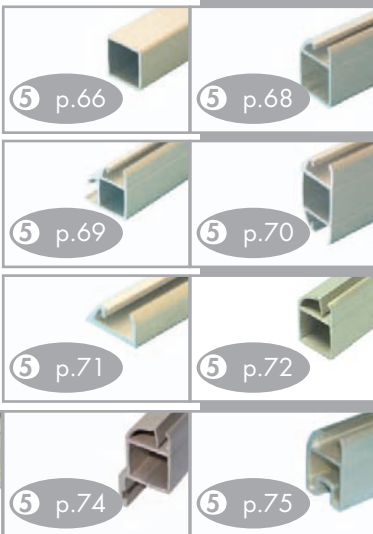


# Profiles



Series 25 is used  
to construct **DOORS**.

We recommend Series  
30 for the counterframe  [pg.78](#)



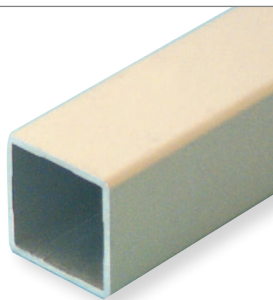
## WARNINGS

Only the Italian version of this catalogue is to be understood as the original version. Bett Sistemi shall not be held liable for any translation or transcription errors. The information contained in this catalogue is exclusively meant for component description purposes and shall not be understood as a statement made by Bett Sistemi regarding a specific characteristic of the component or its suitability for a specific use. The data provided **shall not relieve the customers from their responsibility to evaluate, check and consequently use any and all components.** All information is based on the data available at the time of publishing and is not binding. Bett Sistemi shall not be held liable for any incomplete or wrong information, and for any damage which may arise in connection with such information. The products may be modified at any time without prior notice, **we therefore recommend that you always check the product updates on the website [www.bettsistemi.com](http://www.bettsistemi.com)**

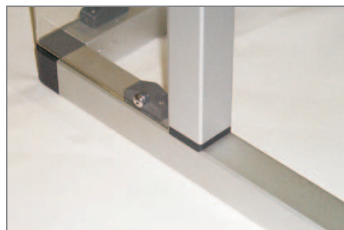
Series 25

## 1604 Square

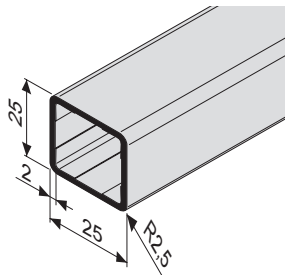
**Material** aluminium.



Smooth



**Combinations**



**QUANTITY DISCOUNT**

Qty	1+	6+	12+	24+
Discounts	-	-10%	-17%	on request

Code	Pack	Finish	Weight g/m	Stock	€ bar
664452	12 X 6 m	anodised 15 µm	450	✓	32.46
602446	12 X 6 m	ELOX 15 µm	450	✓	37.32

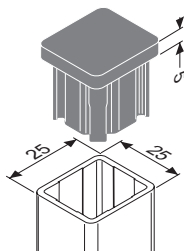
# 1110 End cap for 25x25 tube



**Use:** to close the ends of 25x25 square tubes, thickness 2 mm.

**Material** code 671922 and 676122, polyamide; code 676002, polyethylene.

**Combinations**



**QUANTITY DISCOUNT**

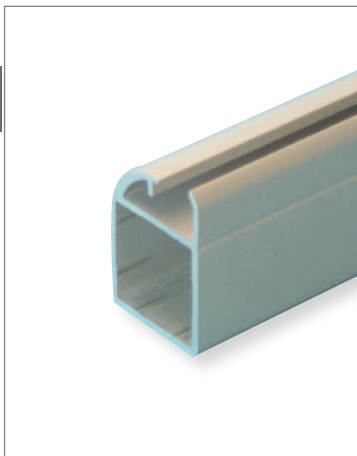
Qty	1+	12+	24+	48+
Discounts	-	-10%	-17%	on request

Code	Pack	Colour	Weight	Stock	€
			g		bar
671922	24 pcs	grey RAL7016	6	✓	0.83
676122	24 pcs	grey RAL7039	6	✓	0.83
682978	24 pcs	black RAL9005	6	✓	0.44

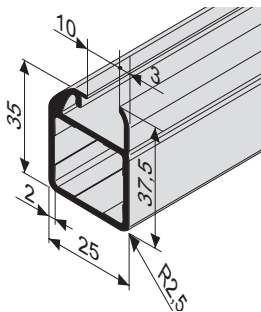
# 1605 With fixed fin

**Use:** to construct a framework with buffer panel.

**Material:** aluminium.



### Combinations

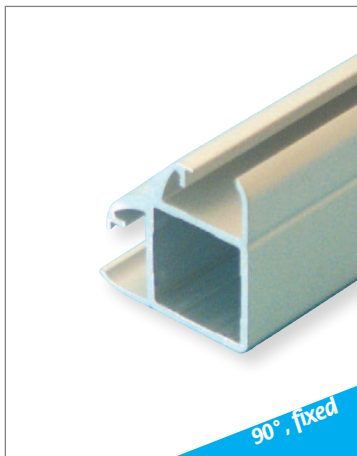


### QUANTITY DISCOUNT

Qty	1+	4+	8+	16+
Discounts	-	-10%	-17%	on request

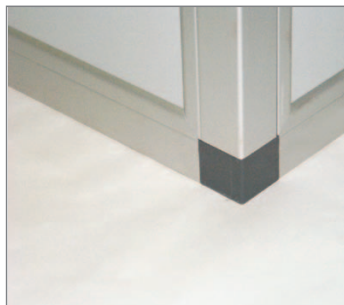
Code	Pack	Finish	Weight g/m	Stock	€ bar
664462	8 X 6 m	anodised 15 µm	610	✓	47.64
611503	8 X 6 m	ELOX 15 µm	610	✓	54.84

# 1606 With two fins

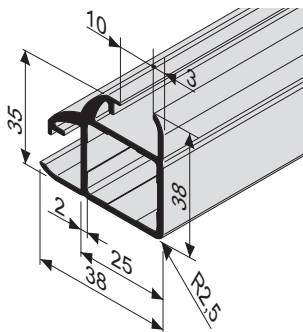


**Use:** to make the angle of a frame with buffer.

**Material** aluminium.



**Combinations** 



**QUANTITY DISCOUNT**

Qty	1+	4+	8+	16+
Discounts	-	-10%	-17%	on request

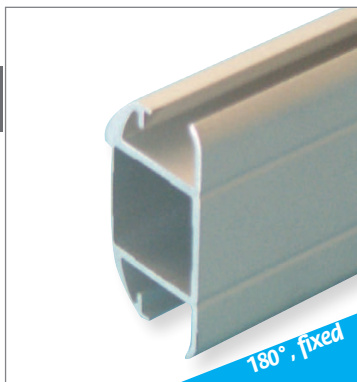
Code	Pack	Finish	Weight g/m	Stock	€ bar
664472	6 X 6 m	anodised 15 µm	780	✓	53.40
611523	8 X 6 m	ELOX 15 µm	780	✓	61.44

Series 25

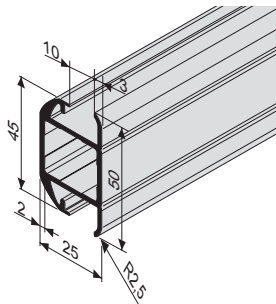
## 1607

## With two fins

**Material** aluminium.



**Combinations**

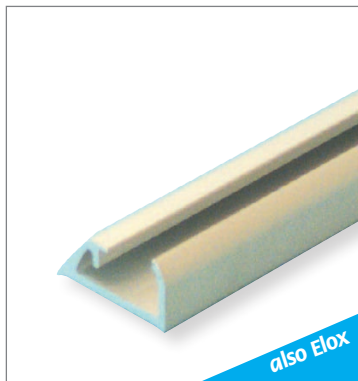


**QUANTITY DISCOUNT**

Qty	1+	4+	8+	16+
Discounts	-	-10%	-17%	on request

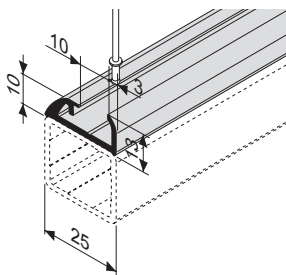
Code	Pack	Finish	Weight g/m	Stock	€ bar
664482	6 X 6 m	anodised 15 µm	780	✓	61.26
611533	8 X 6 m	ELOX 15 µm	780	✓	70.50

## 1608 For frame



**Use:** when you have a fixed and a removable buffer with the fastening gasket on the same wall.

**Material:** aluminium.

Combinations 

## QUANTITY DISCOUNT

Qty	1+	15+	30+	60+
Discounts	-	-10%	-17%	on request

Code	Pack	Finish	Weight g/m	Stock	€ bar
664492	30 X 6 m	anodised 15 µm	270	✓	18.84
637548	30 X 6 m	ELOX 15 µm	270	✓	23,82

## 2672 With one fixed fin

Low-cost series



Without gasket

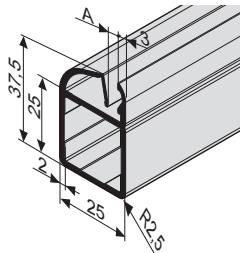
**Use:** to fit 4 and 5 mm thick panels, without gasket.

**Material** aluminium.

pg.65 Assembly instructions:



### Combinations



### QUANTITY DISCOUNT

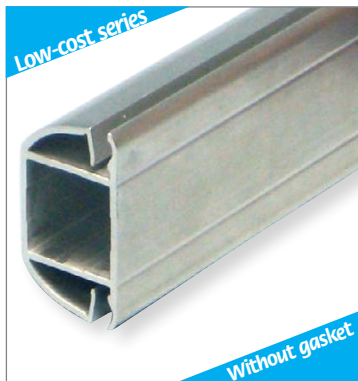
Qty	1+	4+	8+	16+
Discounts	-	-10%	-17%	on request

Code	Pack	Flexure inertia		Panel thick. mm	A mm	Finish	Weight g/m	Stock	€ bar
		ly cm <sup>4</sup>	lz cm <sup>4</sup>						
600855	8 X 6 m	3.3	2.1	4	3.8	anodised 15 µm	630	✓	41.46
615945	8 X 6 m	3.3	2.1	4	3.8	ELOX 15 µm	630	■	47.70
674045	8 X 6 m	3.3	2.1	5	4.8	anodised 15 µm	630	✓	56.82
674055	8 X 6 m	3.3	2.1	5	4.8	ELOX 15 µm	630	■	63.00

■ **Products not in stock** minimum order: 8 bars, delivery in 15 days.

2939

**With two opposed fins (fixed)**

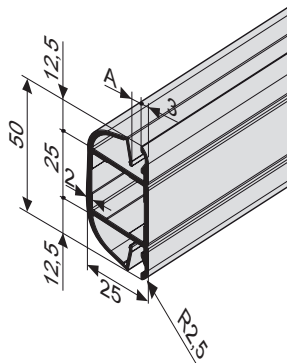


**Use:** to fit 4 and 5 mm thick panels, without gasket.

**Material** aluminium.

pg.65 Assembly instructions:

**Combinations**

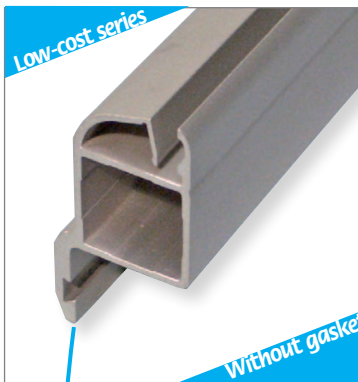


**QUANTITY DISCOUNT**

Qty	1+	4+	8+	16+
Discounts	-	-10%	-17%	on request

Code	Pack	Flexure inertia		Panel thick. mm	A mm	Finish	Weight g/m	Stock	€ bar
		ly cm <sup>4</sup>	lz cm <sup>4</sup>						
615306	8 X 6 m	6.5	2.5	4	3.8	anodised 15 µm	970	✓	54.06
615316	8 X 6 m	6.5	2.5	4	3.8	ELOX 15 µm	970	■	62.22
615326	8 X 6 m	6.5	2.5	5	4.8	anodised 15 µm	970	✓	66.78
615336	8 X 6 m	6.5	2.5	5	4.8	ELOX 15 µm	970	■	74.94

■ **Products not in stock** minimum order: 6 bars, delivery in 15 days.

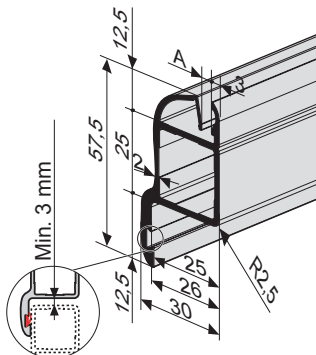


**Use:** for fitting 4mm- and 5mm-thick panels without gasket with stop for double swing doors.

**Material:** aluminium.

pg.65 Assembly instructions:

**Combinations**



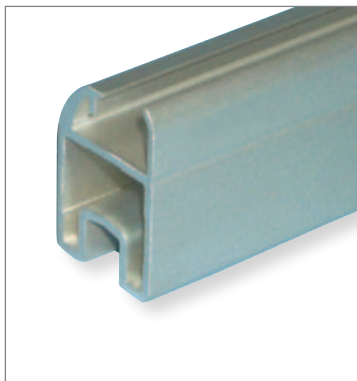
### QUANTITY DISCOUNT

Qty	1+	4+	8+	16+
Discounts	-	-10%	-17%	on request

Code	Pack	Flexure inertia		Panel thick.		Finish	Weight	Stock	€
		ly cm <sup>4</sup>	lz cm <sup>4</sup>	mm	mm				
619726	8 X 6 m	8.7	2.2	4	3.8	anodised 15 µm	850	✓	52.32
619736	8 X 6 m	8.7	2.2	4	3.8	ELOX 15 µm	850	■	60.18
616786	8 X 6 m	8.7	2.2	5	4.8	anodised 15 µm	850	✓	66.18
616796	8 X 6 m	8.7	2.2	5	4.8	ELOX 15 µm	850	■	74.04

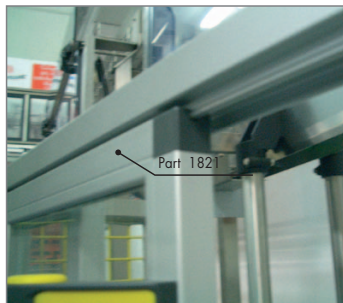
■ **Products not in stock** minimum order: 8 bars, delivery in 15 days.

# 1821 With one fixed fin

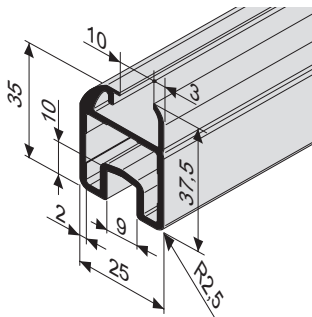


**Use:** as upper and lower cross-beam for sliding doors.

**Material:** aluminium



**Combinations** 



**QUANTITY DISCOUNT**

Qty	1+	4+	8+	16+
Discounts	-	-10%	-17%	on request

Code	Pack	Finish	Weight g/m	Stock	€ bar
602383	8 X 6 m	anodised 15 µm	708	✓	55.38
634153	8 X 6 m	ELOX 15 µm	708	✓	63.66

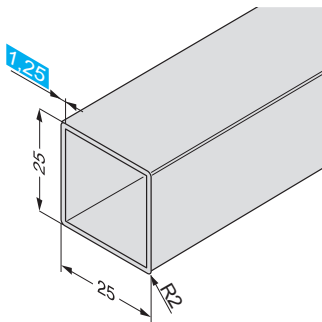
## 1001\_AL 25x25 square tube

**Use:** to construct light safety guards, in combination with LIGHT connection joints.

**Material:** aluminium.

**Characteristics:** same thickness as the Roboframe Food tubes (Version prior to Roboframe Pack).

**Combinations**



### QUANTITY DISCOUNT

Bar 3 m	1+	12+	24+	48+
Bar 6 m	1+	6+	12+	24+
Discounts	-	10%	17%	on request



Order code	Pack	Finishing	Weight g/m	Stock	€ bar
641211	12 x 3 m	anodized 15 µm	320	✓	23,09
624002	12 x 6 m	anodized 15 µm	320	✓	35,82

# 1469 25x25 tube with one fin

**Use:** to construct light safety guards, in combination with LIGHT connection joints.

**Material** aluminium.

**Characteristics:** same thickness as the RoboFrame Food tubes (Version prior to RoboFrame Pack).

 Assembly instructions Pg.75e .

**Combinations** 



Pg.147



Pg.148



Pg.149

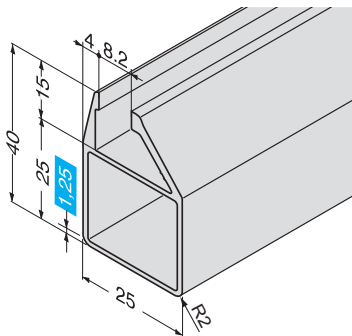


Pg.150

**PRE-PACK  
version**



1.25 thickness  
(light)



### QUANTITY DISCOUNT

Bar 3 m	1+	12+	24+	48+
Bar 6 m	1+	6+	12+	24+
Discounts	-	-10%	-17%	on request

Order code	Pack	Finish	Weight g/m	Stock	€ bar
628822	8 x 3 m	anodized 15 µm	510	✓	39,68
631172	8 x 6 m	anodized 15 µm	510	✓	49,52

## 1470 25x25 tube with two 90° fins

**Use:** to construct light safety guards, in combination with LIGHT connection joints.

**Material** aluminium.

**Characteristics:** same thickness as the Roboframe Food tubes (Version prior to Roboframe Pack).

Assembly instructions Pg.75e

**Combinations**

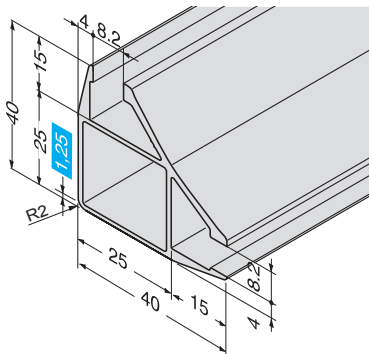


Pg.147

Pg.148

Pg.149

Pg.150



### QUANTITY DISCOUNT

Bar 3 m	1+	12+	24+	48+
Bar 6 m	1+	6+	12+	24+
Discounts	-	-10%	-17%	on request

Order code	Pack	Finish	Weight g/m	Stock	€ bar
628832	8 x 3 m	anodized 15 µm	710	✓	38,19
631182	8 x 6 m	anodized 15 µm	710	✓	66,20

# 1471 25x25 tube with two 180° fins

**Use:** to construct light safety guards, in combination with LIGHT connection joints.

**Material** aluminium.

**Characteristics:** same thickness as the RoboFrame Food tubes (Version prior to RoboFrame Pack).

 Assembly instructions Pg.75e .

**Combinations** 



Pg.147



Pg.148



Pg.149

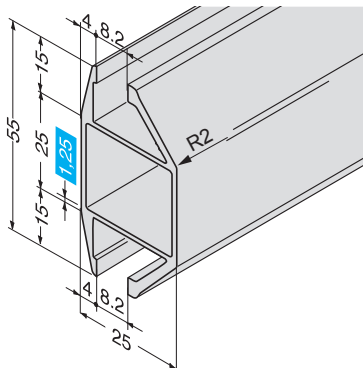


Pg.150

**PRE-PACK  
version**



1.25 thickness  
(light)



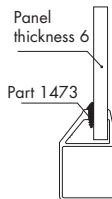
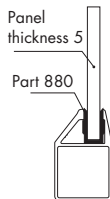
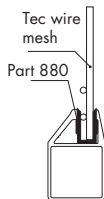
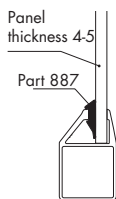
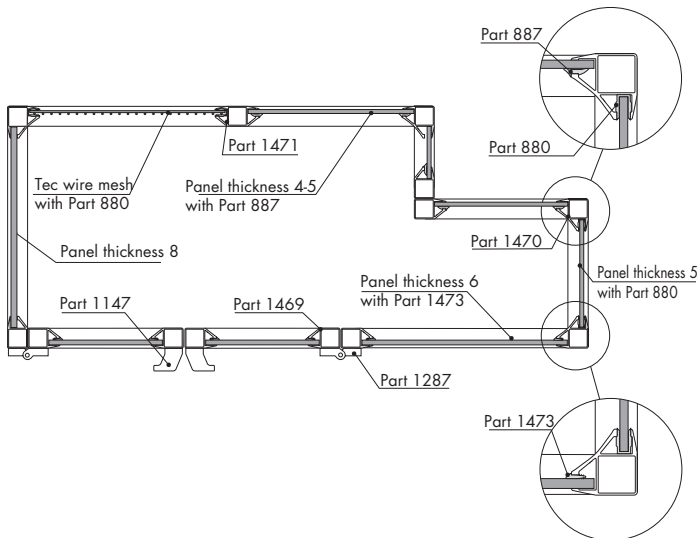
### QUANTITY DISCOUNT

Bar 3 m	1+	12+	24+	48+
Bar 6 m	1+	6+	12+	24+
Discounts	-	-10%	-17%	on request

Order code	Pack	Finish	Weight g/m	Stock	€ bar
628842	8 x 3 m	anodized 15 µm	710	✓	38,19
631192	8 x 6 m	anodized 15 µm	710	✓	66,20



## Assembly instruction for tubes **PRE-PACK version**



**BETT** SISTEMI

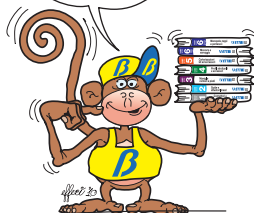
Original



COMPONENTS



Have you  
got all the  
BOOKS?

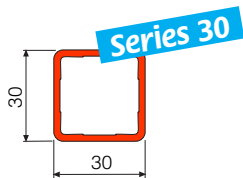


**Series 30**

**PACK**

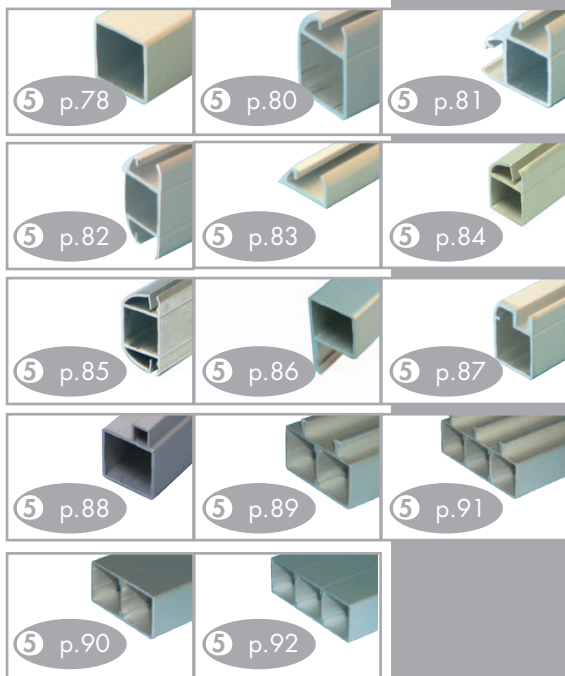


# Profiles



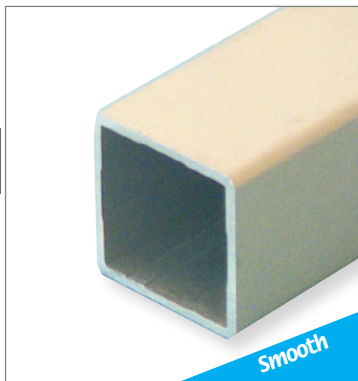
**Series 30 is used**  
to construct **FRAMEWORKS**.

**Series 25 is recommended for doors**  [pg.65](#)



Series 30

## 1614 Square

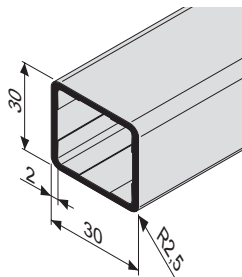


Smooth

**Material** aluminium.



### Combinations



### QUANTITY DISCOUNT

Qty	1+	8+	15+	30+
Discounts	-	-10%	-17%	on request

Code	Pack	Finish	Weight g/m	Stock	€ bar
664502	15 X 6 m	anodised 15 µm	570	✓	40.08
611513	15 X 6 m	ELOX 15 µm	570	✓	46.08

## 1628 End cap for 30x30 tube



**Use:** to close the ends of 30x30 square tubes.  
2 mm thick.

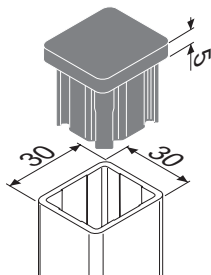
**Material** polyamide.

## Combinations



pg.359

pg.351



## QUANTITY DISCOUNT

Qty	1+	120+240+	480+
Discounts	-	-10% -17%	on request

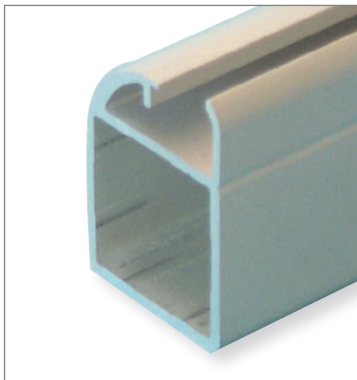
Code	Pack	Colour	Weight	Stock	€
			g		piece
671912	240 pcs	grey RAL7016	8	✓	0.86
676112	240 pcs	grey RAL7039	8	✓	0.86
664662	240 pcs	black RAL9005	8	■	0.86

■ Products not in stock minimum order: 1000 pieces, delivery in 15 days.

**Series 30**

## 1615 With fixed fin

**Material** aluminium.



**Combinations**



pg.48

pg.49

pg.50

pg.51

pg.52

pg.53

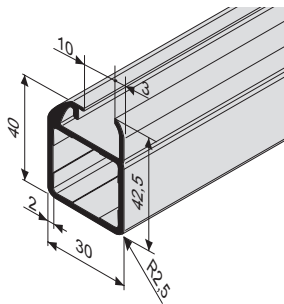
pg.56

pg.58

pg.61

pg.62

pg.96



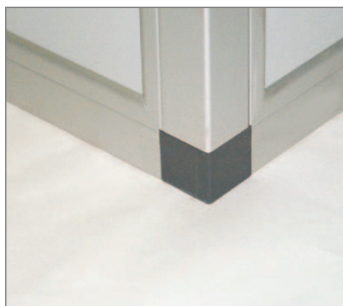
**QUANTITY DISCOUNT**

Qty	1+	5+	10+	20+
Discounts	-	-10%	-17%	on request

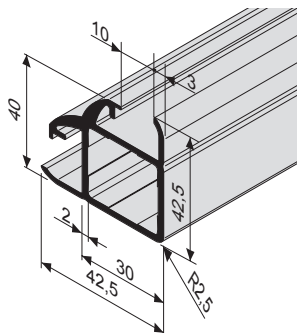
Code	Pack	Finish	Weight g/m	Stock	€ bar
664512	10 X 6 m	anodised 15 µm	720	✓	55.80
611543	10 X 6 m	ELOX 15 µm	720	✓	64.14

**1616 With two fins**

**Material** aluminium.



**Combinations** 



**QUANTITY DISCOUNT**

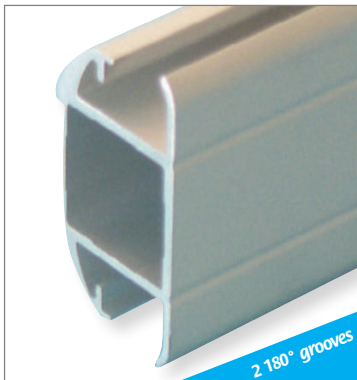
Qty	1+	3+	6+	12+
Discounts	-	-10%	-17%	on request

Code	Pack	Finish	Weight g/m	Stock	€ bar
664522	6 X 6 m	anodised 15 µm	940	✓	67.02

Series 30

## 1617 Two-fin profile

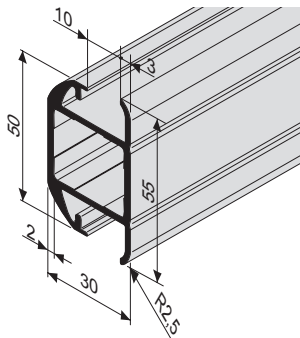
Material aluminium.



2 180° grooves



Combinations



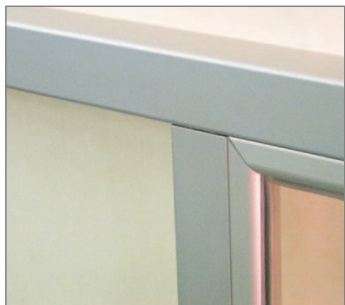
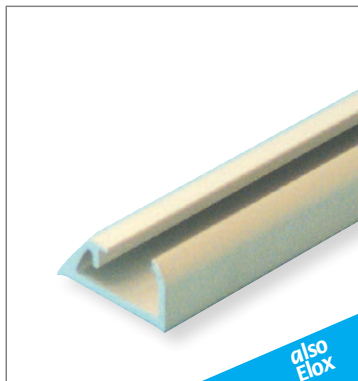
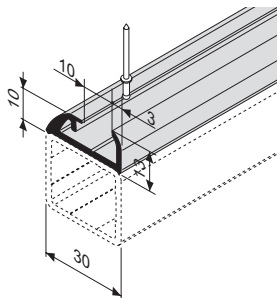
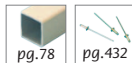
QUANTITY DISCOUNT

Qty	1+	3+	6+	12+
Discounts	-	-10%	-17%	on request

Code	Pack	Finish	Weight g/m	Stock	€ bar
664532	6 X 6 m	anodised 15 µm	940	✓	67.02
612513	6 X 6 m	ELOX 15 µm	940	✓	77.10

## 1618 For frame

Material aluminium.

Combinations 

## QUANTITY DISCOUNT

Qty	1+	9+	18+	36+
Discounts	-	-10%	-17%	on request

Code	Pack	Finish	Weight g/m	Stock	€ bar
664542	18 X 6 m	anodised 15 µm	310	✓	21.72
634203	18 X 6 m	ELOX 15 µm	310	✓	25.02

# 2673 With one fixed fin

Low-cost series



Without gasket

**Use:** to fit 4 and 5 mm thick panels, without gasket.

**Material:** aluminium.

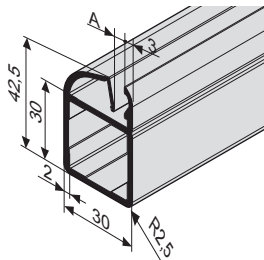
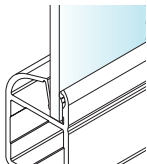
pg.65 Assembly instructions:



### Combinations



pg.96



### QUANTITY DISCOUNT

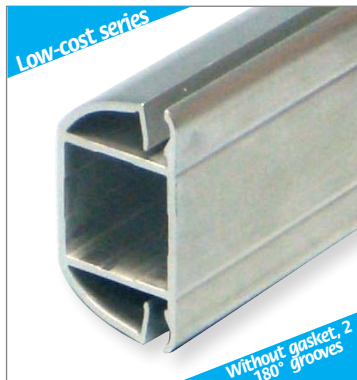
Qty	1+	5+	10+	20+
Discounts	-	-10%	-17%	on request

Code	Pack	Flexure inertia		Panel thick. mm	A mm	Finish	Weight g/m	Stock	€ bar
		ly cm <sup>4</sup>	lz cm <sup>4</sup>						
600875	10 X 6 m	5.6	3.5	4	3.8	anodised 15 µm	790	✓	48.48
615955	10 X 6 m	5.6	3.5	4	3.8	ELOX 15 µm	790	■	55.74
674065	10 X 6 m	5.6	3.5	5	4.8	anodised 15 µm	790	✓	62.64
674075	10 X 6 m	5.6	3.5	5	4.8	ELOX 15 µm	790	■	69.90

■ Products not in stock minimum order: 10 bars, delivery in 15 days.

2940

## With two opposed fins (fixed)

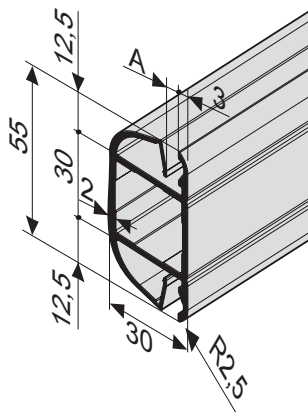


**Use:** to fit 4 and 5 mm thick panels, without gasket.

**Material** aluminium.

pg.65 Assembly instructions:

**Combinations**



## QUANTITY DISCOUNT

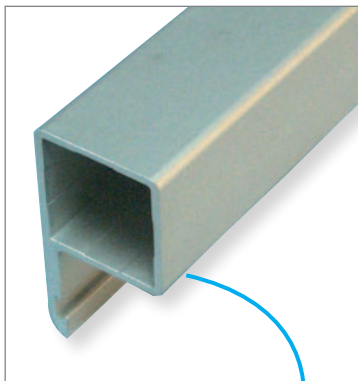
Qty	1+	5+	10+	20+
Discounts	-	-10%	-17%	on request

Code	Pack	Flexure inertia		Panel thick. mm	A mm	Finish	Weight g/m	Stock	€ bar
		ly cm <sup>4</sup>	lz cm <sup>4</sup>						
615346	10 X 6 m	1.07	4.4	4	3.8	anodised 15 µm	1020	✓	58.14
615356	10 X 6 m	1.07	4.4	4	3.8	ELOX 15 µm	1020	■	66.90
615366	10 X 6 m	1.07	4.4	5	4.8	anodised 15 µm	1020	✓	75.12
615376	10 X 6 m	1.07	4.4	5	4.8	ELOX 15 µm	1020	■	83.88

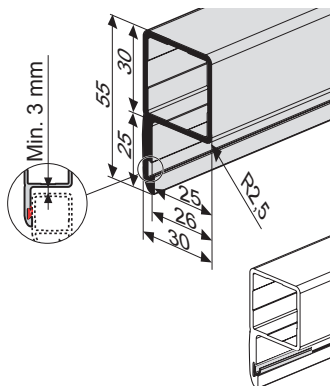
■ **Products not in stock** minimum order: 10 bars, delivery in 15 days.

# 2964 With fin and gasket-holder end

**Material** aluminium.



### Combinations



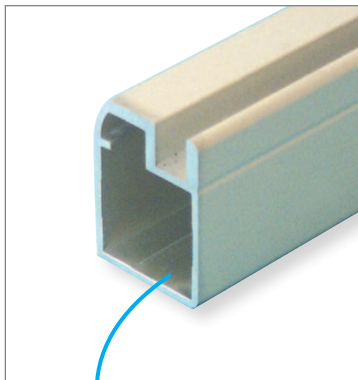
### QUANTITY DISCOUNT

Qty	1+	5+	10+	20+
Discounts	-	-10%	-17%	on request

Code	Pack	Flexure inertia		Finish	Weight g/m	Stock	€ bar
		ly cm <sup>4</sup>	lz cm <sup>4</sup>				
619746	10 X 6 m	8.7	2.2	anodised 15 µm	800	✓	45.84
619756	10 X 6 m	8.7	2.2	ELOX 15 µm	800	■	52.74

■ **Products not in stock** minimum order: 10 bars, delivery in 15 days.

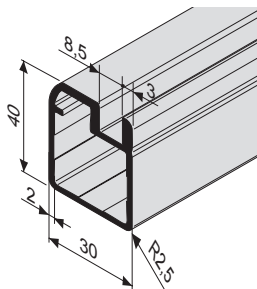
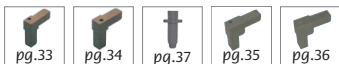
# 1619 Square tube with embedded track



**Use:** to construct water-tight doors, in combination with Part 1642, it can be used to construct folding and sliding doors.

**Material** aluminium.

**Combinations** 

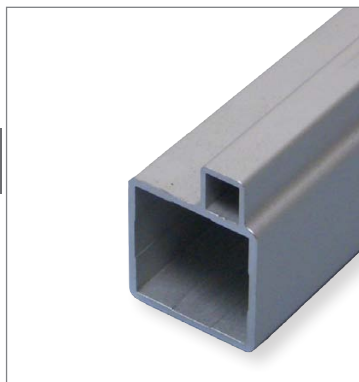


**QUANTITY DISCOUNT**

Qty	1+	3+	6+	12+
Discounts	-	-10%	-17%	on request

Code	Pack	Finish	Weight g/m	Stock	€ bar
664552	6 X 6 m	anodised 15 µm	830	✓	62.10
619104	6 X 6 m	ELOX 15 µm	830	✓	70.74

# 3077 with track



**Use:** in combination with Part 3078, it can be used to construct folding and sliding doors.

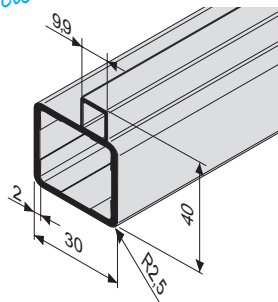
**Characteristics:** compared to the profile 1619, the track always stays clean and free.

**Material** aluminium.

### Combinations



*An always clean track*



### QUANTITY DISCOUNT

Qty	1+	3+	6+	12+
Discounts	-	-10%	-17%	on request

Code	Pack	Finish	Weight g/m	Stock	€ bar
665475	6 X 6 m	anodised 15 µm	663	■	48.66
619696	6 X 6 m	ELOX 15 µm	663	■	55.44

■ **Products not in stock** minimum order: 36 bars, delivery in 30 days.

# 1824 30x60 for 2-track counterframe



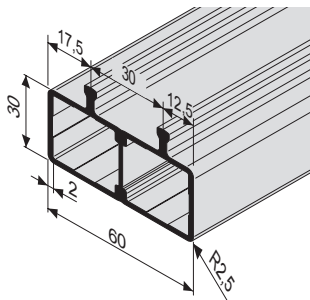
**Use:** sliding guide to construct two sliding doors

**Material:** aluminium.

**Combinations** 



2-way  
sliding

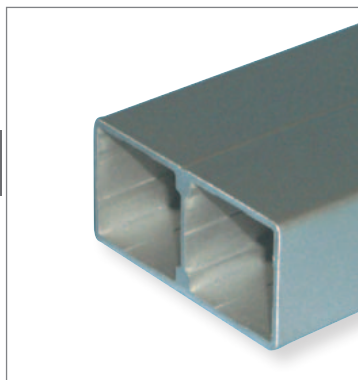


**QUANTITY DISCOUNT**

Qty	1+	12+	24+	48+
Discounts	-	-10%	-17%	on request

Code	Pack	Finish	Weight g/m	Stock	€ bar
602413	12 X 6 m	anodised 15 µm	1255	✓	98.10
634163	12 X 6 m	ELOX 15 µm	1255	✓	112.86

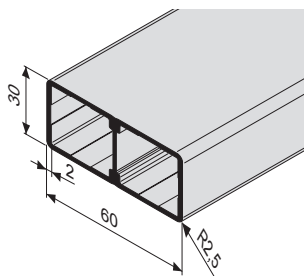
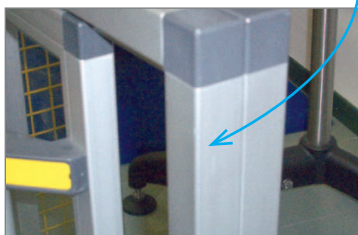
## 1825 30x60 end-stop for counterframe



**Use:** to construct the counterframe of two sliding doors by assembling it in combination with Part 1824.

**Material** aluminium.

**Combinations**



### QUANTITY DISCOUNT

Qty	1+	6+	12+	24+
Discounts	-	-10%	-17%	on request

Code	Pack	Finish	Weight g/m	Stock	€ bar
602423	12 X 6 m	anodised 15 µm	1052	✓	82.26
634183	12 X 6 m	ELOX 15 µm	1052	✓	94.62

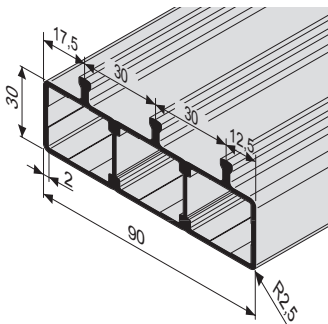
# 1822 30x90 for 3-track counterframe



**Use:** sliding guide to construct three sliding doors

**Material:** aluminium.

**Combinations**

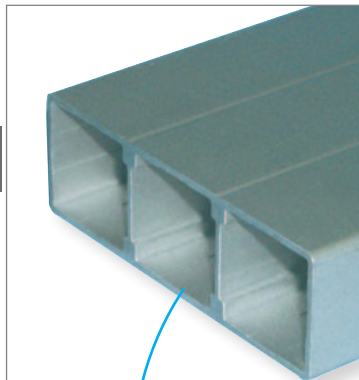


**QUANTITY DISCOUNT**

Qty	1+	2+	4+	8+
Discounts	-	-10%	-17%	on request

Code	Pack	Finish	Weight g/m	Stock	€ bar
602393	4 X 6 m	anodised 15 µm	1842	✓	144.00
634173	4 X 6 m	ELOX 15 µm	1842	✓	165.60

## 1823 30x90 for counterframe



**Use:** to construct the counterframe of three sliding doors by assembling it with Part 1822

**Material** aluminium.

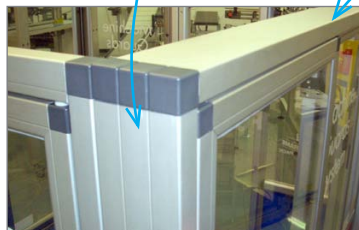
**Combinations**



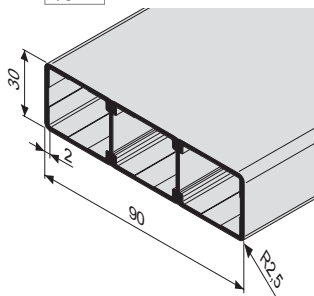
pg.48



pg.62



pg.91



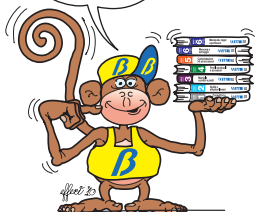
### QUANTITY DISCOUNT

Qty	1+	4+	8+	16+
Discounts	-	-10%	-17%	on request

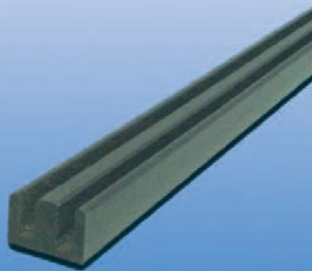
Code	Pack	Finish	Weight g/m	Stock	€ bar
602403	8 X 6 m	anodised 15 µm	1538	✓	120.24
634193	8 X 6 m	ELOX 15 µm	1538	✓	138.30



Have you got all the BOOKS?



**PACK**



# Rubber and plastic profiles

## WARNINGS

Only the Italian version of this catalogue is to be understood as the original version. Bett Sistemi shall not be held liable for any translation or transcription errors. The information contained in this catalogue is exclusively meant for component description purposes and shall not be understood as a statement made by Bett Sistemi regarding a specific characteristic of the component or its suitability for a specific use. The data provided **shall not relieve the customers from their responsibility to evaluate, check and consequently use any and all components.** All information is based on the data available at the time of publishing and is not binding. Bett Sistemi shall not be held liable for any incomplete or wrong information, and for any damage which may arise in connection with such information. The products may be modified at any time without prior notice, **we therefore recommend that you always check the product updates on the website [www.bettsistemi.com](http://www.bettsistemi.com)**

## 1636 To lock panels and metal sheets



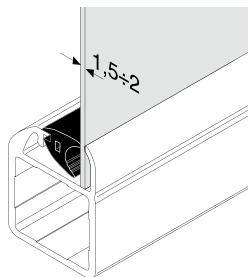
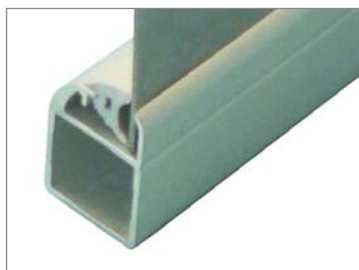
**Use:** to fit metal sheets having a thickness of 1.5/2 mm inside the 10 mm-grooved tubes.

**Characteristics:** the profile is silicone sealed for easy installation.

**Material** Flexible PVC.

Series 25

Series 30



### QUANTITY DISCOUNT

Qty	1+	70+	140+	280+
Discounts	-	-10%	-17%	on request

Code	Pack	Colour	Weight g/m	Stock	€ m
665392	1 X 140 m	grey RAL7035	100	✓	1.02

# 1637 For panel locking



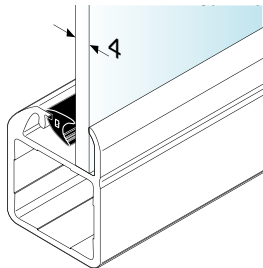
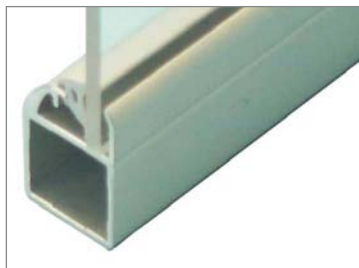
**Use:** to assemble buffers with a thickness of 4 mm inside the 10 mm-grooved tubes.

**Characteristics:** the profile is silicone sealed for easy installation.

**Material** Flexible PVC.

Series 25

Series 30



**QUANTITY DISCOUNT**

Qty	1+	80+	160+	320+
Discounts	-	-10%	-17%	on request

Code	Pack	Colour	Weight g/m	Stock	€ m
665402	1 X 160 m	grey RAL7035	70	✓	0.92

## 3024 For panel locking



5mm-thick panel locking device

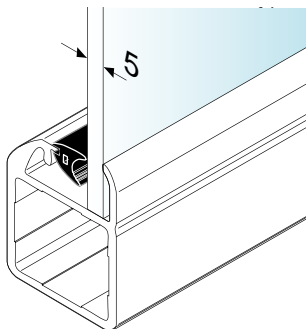
**Use:** to assemble buffers with a thickness of 5 mm inside the 10 mm-grooved tubes.

**Characteristics:** the profile is silicone sealed for easy installation.

**Material:** Flexible PVC.

Series 25

Series 30



### QUANTITY DISCOUNT

Qty	1+	100+200+	400+
Discounts	-	-10% -17%	on request

Code	Pack	Colour	Weight g/m	Stock	€ m
615546	1 X 200 m	grey RAL7035	70	✓	0.90

# 1638 For panel locking



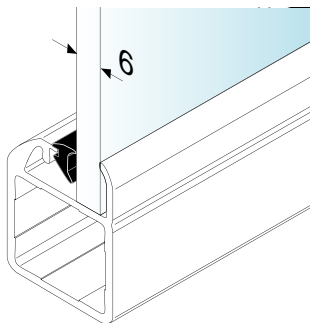
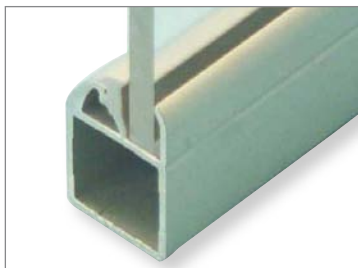
**Use:** to assemble buffers with a thickness of 6 mm inside the 10 mm-grooved tubes.

**Characteristics:** the profile is silicone sealed for easy installation.

**Material** Flexible PVC.

Series 25

Series 30



**QUANTITY DISCOUNT**

Qty	1+	150+300+	600+
Discounts	-	-10%	-17% on request

Code	Pack	Colour	Weight g/m	Stock	€ m
665412	1 X 300 m	grey RAL7035	55	✓	0.87

## 1473 For panel locking

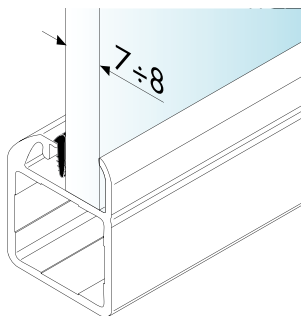
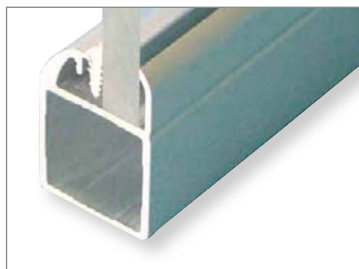


Thickness:  
6 / 8 mm

**Use:** to assemble buffers with a thickness of 6/8 mm inside the 10 mm-grooved tubes.

**Characteristics:** the profile is siliconized for easier installation.

**Material** Flexible PVC.



### QUANTITY DISCOUNT

Qty	1+	2+	4+	8+
Discounts	-	-10%	-17%	on request

Code	Pack	Colour	Weight g/m	Stock	€ m
630852	1 X 50 m	grey RAL7035	34	✓	1.47
630842	1 X 50 m	black RAL9005	34	✓	1.47

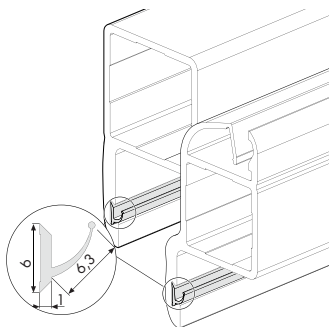
# 3058 Gasket with lip seal



**Use:** to be used with the profile with fixed fin and end-stop (Part 2963-2964).

**Material:** Thermoplastic flexible rubber, PVC for rigid sections.

**Combinations** 



**QUANTITY DISCOUNT**

Qty	1+	175+350+	700+
Discounts	-	-10%	-17% on request

Code	Pack	Colour	Weight g/m	Stock	€ m
616776	1 X 350 m	black RAL9005		✓	0.37

## 1839 Guide with 2 embedded tracks for sliding panels



For 5 mm thick panels

**Use:** to construct small sliding panels, with a thickness of 5 mm.

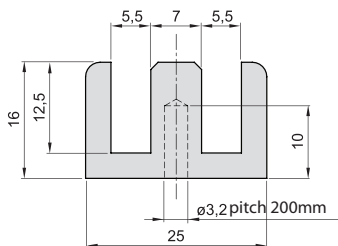
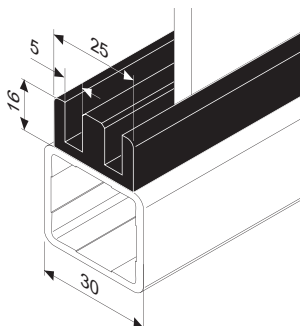
**Material:** high molecular weight polyethylene.

### Combinations



pg.78

pg.65



### QUANTITY DISCOUNT

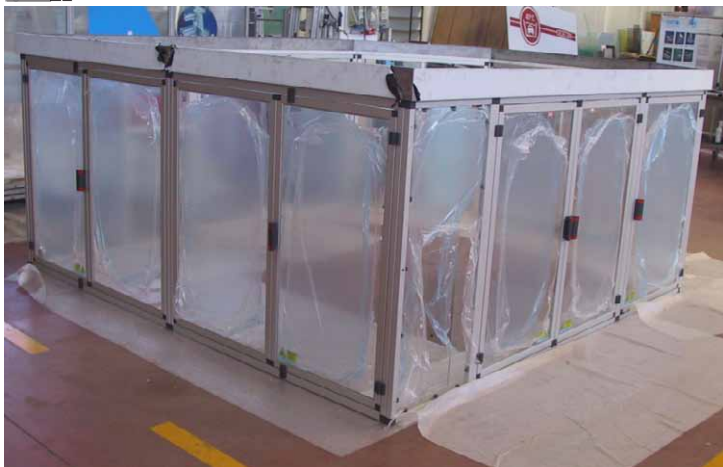
Qty	1+	2+	4+	8+
Discounts	-	-10%	-17%	on request

Code	Pack	Colour	Weight g/m	Stock	€ bar
602803	4 X 3 m	black RAL9005	34	✓	92.40



PACK

pg.454



## 1629 Stiffening angle 90°

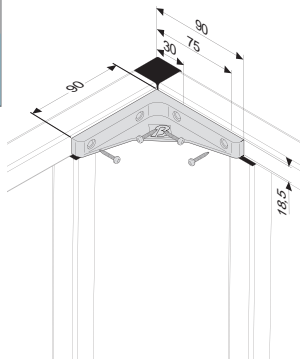
Aluminium



90°

**Use:** to stiffen structures without buffers or large-sized gull-wing doors.

**Material** aluminium.



### QUANTITY DISCOUNT

Qty	1+	12+	24+	48+
Discounts	-	-10%	-17%	on request

Code	Pack	Finishing	Weight	Stock	€
664672	24 pcs	sand-blasted	g 76	✓	piece 13.45

## 1630

## Stiffening angle 135°

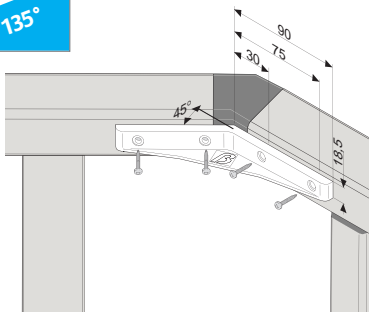
Aluminium



135°

**Use:** to stiffen structures without buffers or large-sized gull-wing doors.

**Material** aluminium.



### QUANTITY DISCOUNT

Qty	1+	12+	24+	48+
Discounts	-	-10%	-17%	on request

Code	Pack	Finishing	Weight	Stock	€
			g		piece
664682	24 pcs	sand-blasted	78	✓	13.45

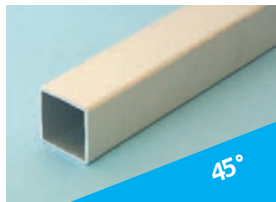
## 2092 Modular stiffening angle

Aluminium

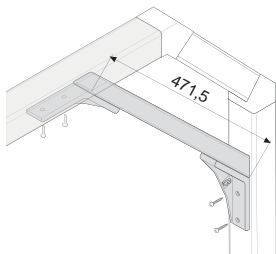


**Use:** to stiffen structures without buffers or large-sized gull-wing doors.

**Material:** Aluminium, sand-blasted angle, anodised aluminium tube.



45°



### QUANTITY DISCOUNT

Qty	1+	2+	4+	8+
Discounts	-	-10%	-17%	on request

Code	Pack	Finishing	Weight	Stock	€
688903	2 pcs	sand-blasted	g 425	✓	piece 53.00

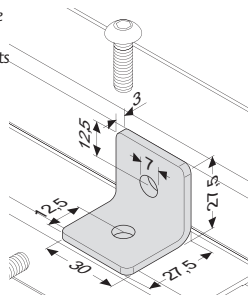
## 1756 Guard mounting angle



**Use:** to secure the structure to a base or to another structure.

**Characteristics:** for standard M6 nuts and bolts.

**Material:** AISI 304 stainless steel.



### QUANTITY DISCOUNT

Qty	1+	5+	10+	20+
Discounts	-	-10%	-17%	on request

Code	Pack	Weight	Stock	€
		g		piece
686912	10 pcs	37	✓	9.58

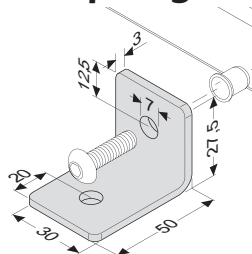
## 1757 Angle for guard bracket fitting



**Use:** to secure the structure to a base.

**Characteristics:** for standard M6 nuts and bolts.

**Material:** AISI 304 stainless steel.



### QUANTITY DISCOUNT

Qty	1+	5+	10+	20+
Discounts	-	-10%	-17%	on request

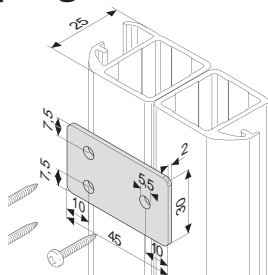
Code	Pack	Weight	Stock	€
		g		piece
686922	10 pcs	50	✓	10.05

## 1758 Plate for panel coupling



**Use:** for fissare tra di loro pareti made of items tubolare 25x25.

**Material** AISI 304 stainless steel.



### QUANTITY DISCOUNT

Qty	1+	5+	10+	20+
Discounts	-	-10%	-17%	on request

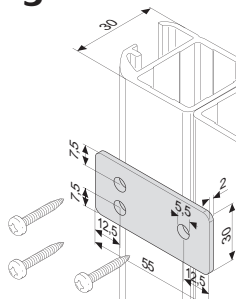
Code	Pack	Weight	Stock	€
		g		piece
686932	10 pcs	22	✓	3.85

## 1759 Plate for panel coupling



**Use:** to fasten walls made with 30x30 tubes to each other.

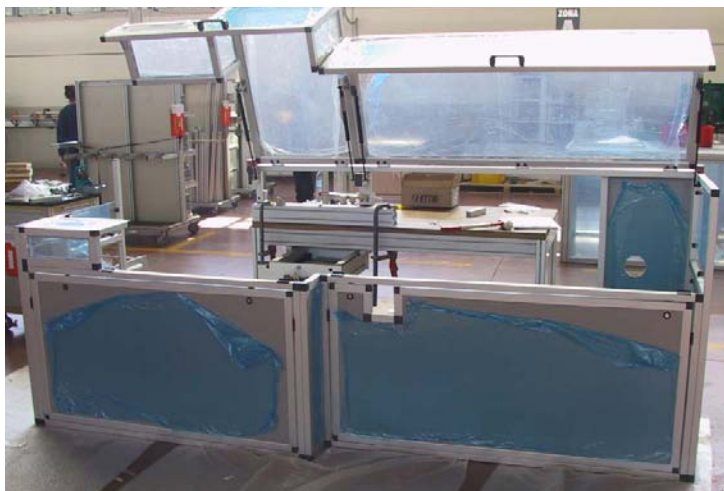
**Material** AISI 304 stainless steel.



### QUANTITY DISCOUNT

Qty	1+	5+	10+	20+
Discounts	-	-10%	-17%	on request

Code	Pack	Weight	Stock	€
		g		piece
686942	10 pcs	26	✓	3.85





### Profile silencing for fitting joints type A with integrated collar, series 25 (Part 1937) and series 30 (Part 1938)

The joints with integrated collar (Part 1937 and 1938, groove 10) were originally used to construct frameworks with profiles (Part 1605 and 1615, groove 4) suitable for fitting panels with gasket. Using the new profiles (Part 2672 and 2673), suitable for fitting panels without gasket, the shape of the joint does not perfectly match that of the profile. After assembly (Fig.1), a small gap remains between the profiles and the joint (Fig.3-a) on the inside of the frame; we recommend that you seal it with silicon (see the instructions below).

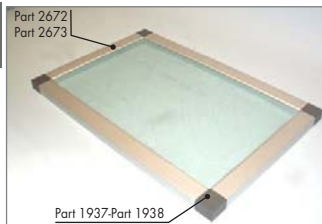


Fig. 1: assembled frame with the buffer made using a 4-5mm-thick transparent panel.



Fig. 2: before silencing, the protective film is removed from the corners of the frame.

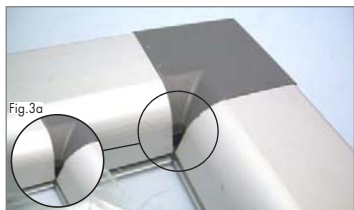


Fig. 3: in the detail, you can see the gap between the end of the profile and the joint (inside of the frame).



Fig. 4: the gap is sealed with silicon.



Fig. 5: any silicon residues are removed by sanding.



Fig. 6: view of the frame angle after sealing the gap with silicon.



### Profile siliconging to fit joints type A with 90° side frame, series 25 (Part 1746) and Series 30 (Part 1751)

The joints with 90° side frame have been designed to construct frameworks with profiles (Part 1605 and 1615) suitable for fitting panels with gasket. Using the new profiles (Part 2672 and 2673), suitable for fitting panels without gasket, there will be a gap on the side frame of the joint since there is no gasket (Fig. 8); the gap will then be sealed with silicon.

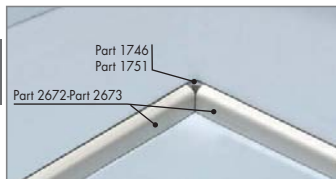


Fig. 7: rounded corner of a framework constructed by means of a joint with side frame and using a 4-5mm-thick transparent panel as buffer.

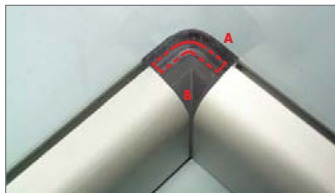


Fig. 8: the broken line represents the gap between the panel (A) and the side frame of the joint (B), due to the fact that there is no gasket.



Fig. 9: the gap is sealed with silicon (inside of the framework).



Fig. 10: looking at the outside corner of the framework, you can see how neat the joint is after siliconging.



## Fitting the internal cross-beam joint Series 25 (Part 3059) and Series 30 (Part 1613)

As the profiles Part 2672 and 2673 have a narrower groove (A) than the profiles Part 1605 and 1615 due to the fact that there is no gasket, you will have to mill the profile to widen the groove in the section where the internal cross-beam joint is to be fitted.

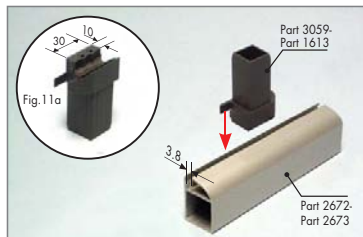


Fig. 11: the width of the profile groove does not allow directly fitting the joint; you first need to make a joint seat on the profile.

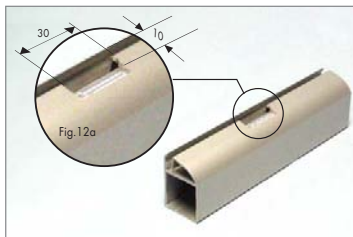


Fig. 12: once you have identified the area where the joint is to be fitted, machine the seat on the profile (Fig.12-a) in order to fit the joint in the groove.



Fig. 13: after machining the seat on the profile, the joint can be secured using two 3.9x19 mm self-threading screws.

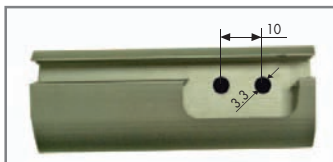


Fig. 14: The screw fastening holes must have a distance between centres of 10 mm and be 3.3mm in diameter.



Fig. 15: Example of an alternative joint made with the internal joint Part 1634 or 1635, milling the aluminium profiles.



**FOOD**

**STAINLESS STEEL**

# Guide to component selection **FOOD**

To construct the framework,  
buffer fastening,  
wire mesh framework fastening  
with cross beam

.....

5 p.116



To construct doors

- swing doors
- glass swing doors without framework
- folding doors
- sliding doors
- gull-wing doors

.....

5 p.122



To construct perimeter guards

.....

5 p.132



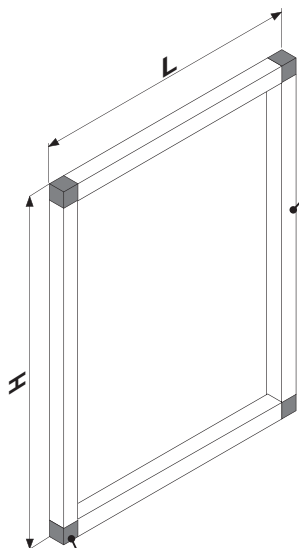
## **WARNINGS**

**Only the Italian version of this documentation is to be understood as the original version.**

The information provided is only intended and provided for component description purposes. It shall not be understood as a statement made by us regarding a specific characteristic of the same component or its suitability for a specific use. **The data provided shall not relieve the customers from their responsibility to evaluate, check and consequently use any and all components.** All information is based on the knowledge available at the time of publishing and is not binding. We are not responsible for any incomplete or incorrect information or possible damage resulting therefrom. The products may be subject to modification at any time. **It is therefore advisable to check for updates on our website [www.bettsistemi.com](http://www.bettsistemi.com).**



# to construct **framework**

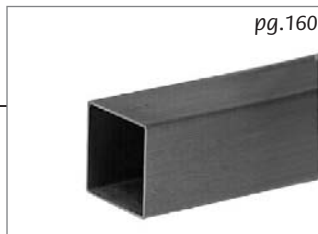


Tube  $\varnothing$  25

**Part 1001**

dimensions: L and H - 50 mm

pg.160

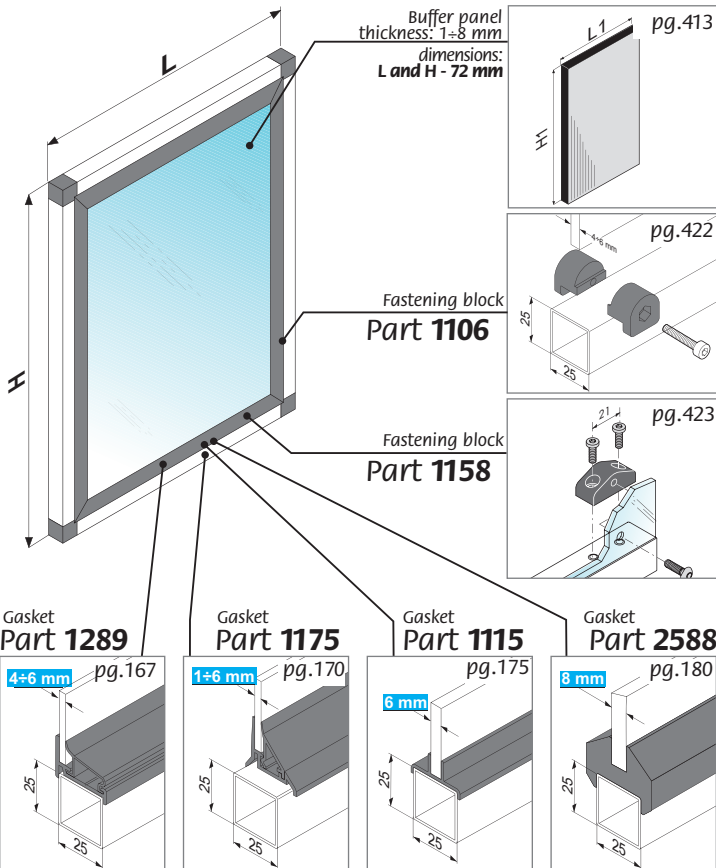


Joints  
pg.136

**Part 1101 type A**  
for stainless steel tube

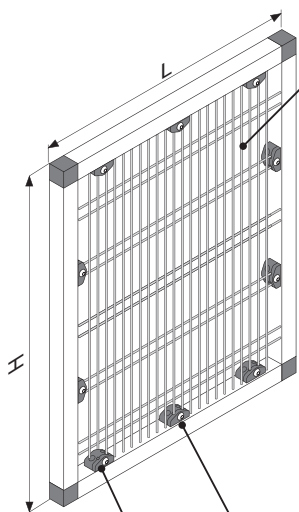


# for buffer panel fastening





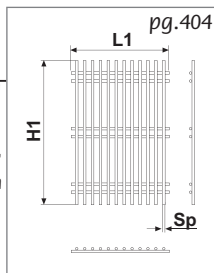
# for wire mesh fastening



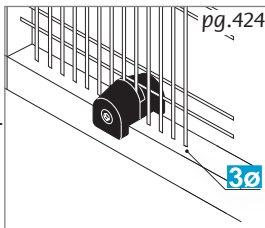
TEC wire mesh thickness:  
mm

**Part 963**  
**Part 1424**

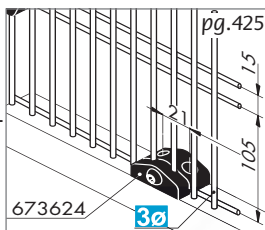
dimensions L and H - 52 mm



Fastening block  
**Part 1815**



Fastening block  
**Part 1159**



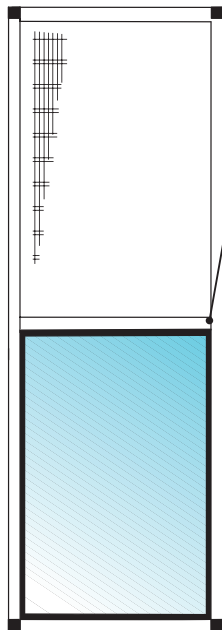


pg.454 

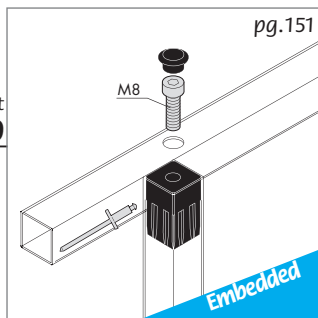




# for **framework** with cross beam

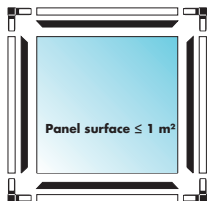


Inside joint  
**Part 1150**

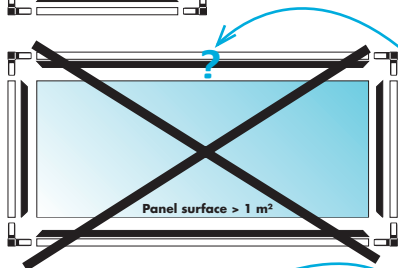


**Embedded**

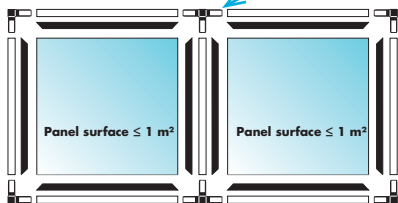
pg.151



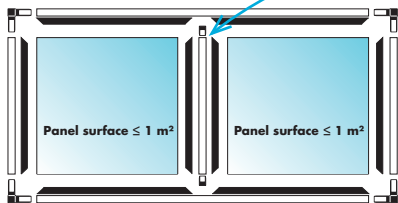
Standard fitting of a buffer panel with surface of less than one m<sup>2</sup>.



**Wrong fitting** of a buffer panel with surface above one m<sup>2</sup>. A cross beam should be fitted only when a buffer panel needs to be used on surfaces of more than one m<sup>2</sup>.



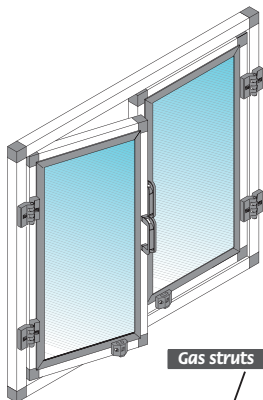
Example of cross beam with joint **Part 1101 type B**; This assembly is preferable when you need greater structure robustness and rigidity (for example, when you need to fit a hinged door on a cross-beam).



Example of cross beam with joint **Part 1150**; this type of assembly is used when the structure does not need to be particularly robust but should rather be a low-cost solution.



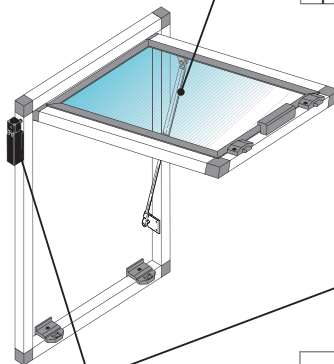
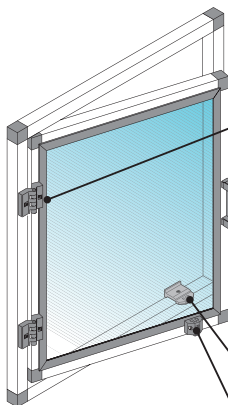
# from framework to swing door



Gas struts 



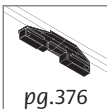
pg.344



Safety switches 



pg.203



pg.376



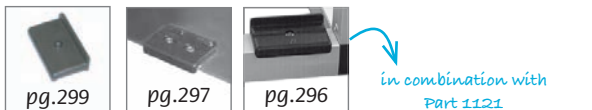
## Hinges



## Handles



## Striker plates



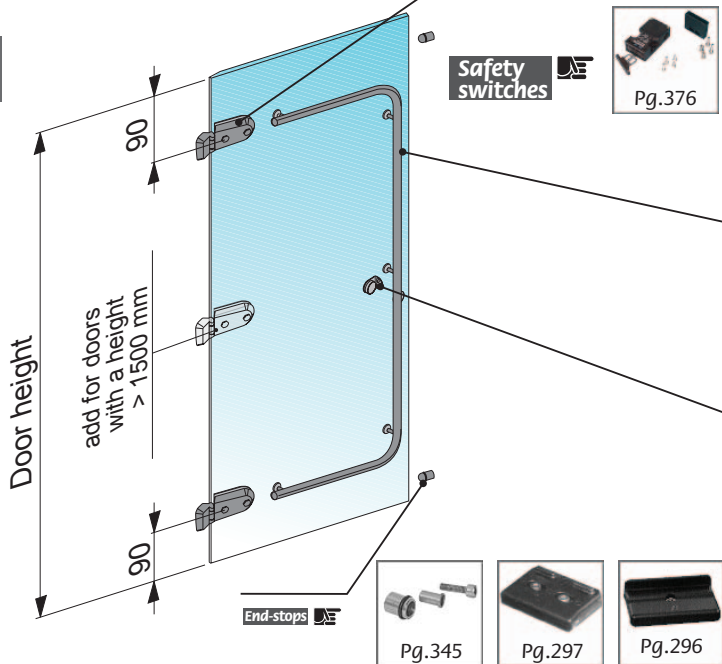
## Doorstops





## swing door **without frame** in polycarbonate

To construct swing doors **without frame** with 6 - 10mm-thick **polycarbonate** panels, use the 20mm or 28mm  $\varnothing$  tubular handles which allow stiffening the door.



## Hinges



## Handles



## Doorstops



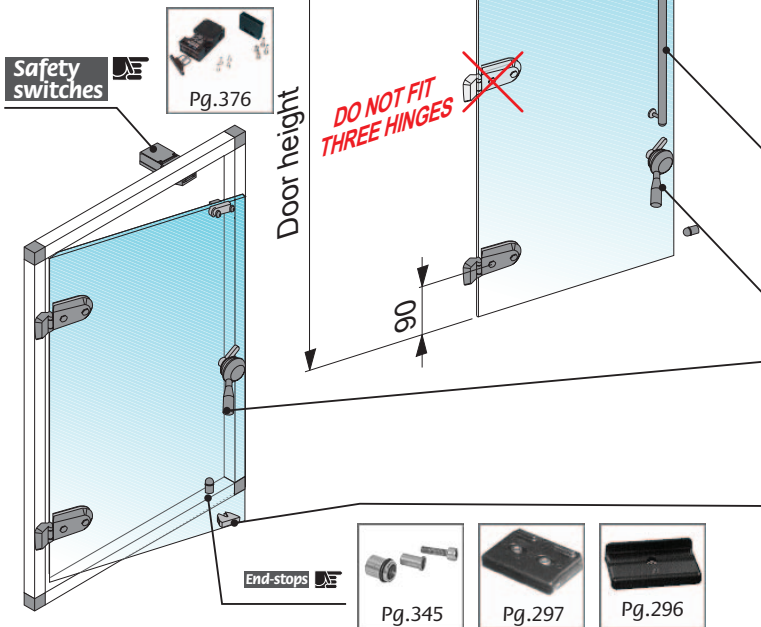
## Locks





# swing door **without frame** in mineral glass

To construct swing doors **without frame** with 4 - 8 mm-thick **mineral glass** panels, it is advisable to use the 20mm Ø tubular handle (part no.3848).



## Hinges



## Handles



## Doorstops

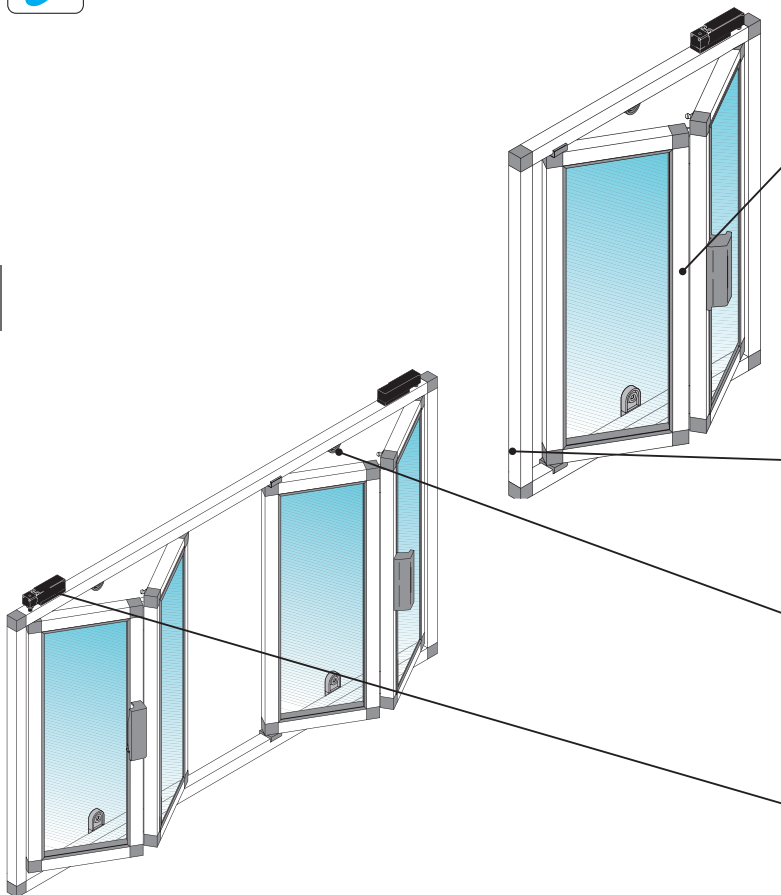


## Locks



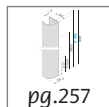
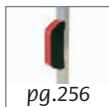
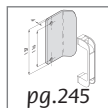


from framework to **folding door**

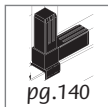




## Handles



## Joint with rotating fulcrum



## Doorstops



## Safety switches



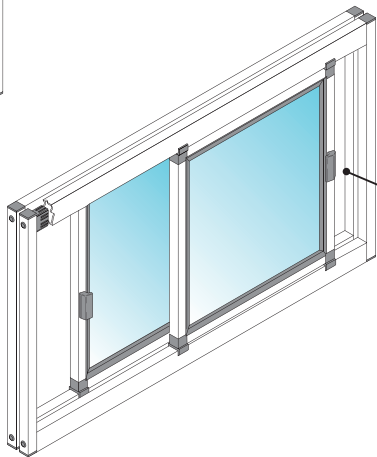
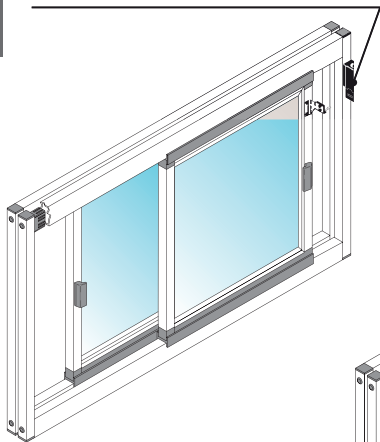
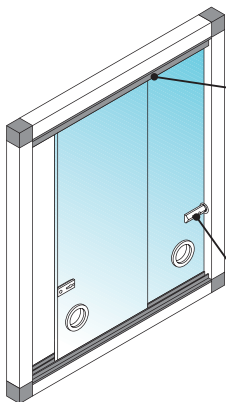


# from framework to sliding door

Safety switches

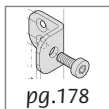
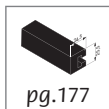
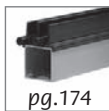


pg.374

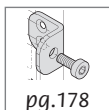
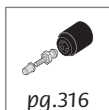




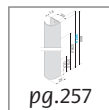
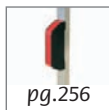
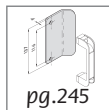
## Gaskets



## Doorstops



## Handles



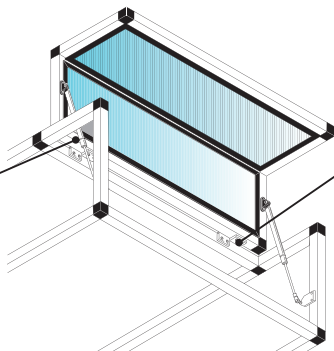


# from framework to gull-wing door

Gas struts



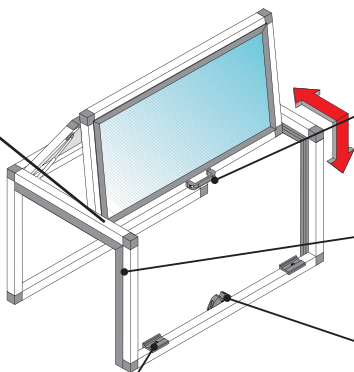
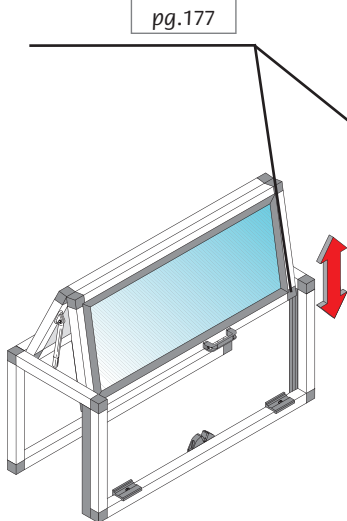
pg.344



Sliding pin



pg.177



Striker plates



pg.296



pg.297



## Hinges

 pg.190	 pg.192	 pg.194	 pg.199	 pg.200	
 pg.220	 pg.221	 pg.222	 pg.224	 pg.226	
 pg.287	 pg.252	 pg.254	 pg.242	 pg.245	 pg.248

## Handles

 pg.242	 pg.244	 pg.247	 pg.256	 pg.257
---	---	---	---	---

## Gaskets

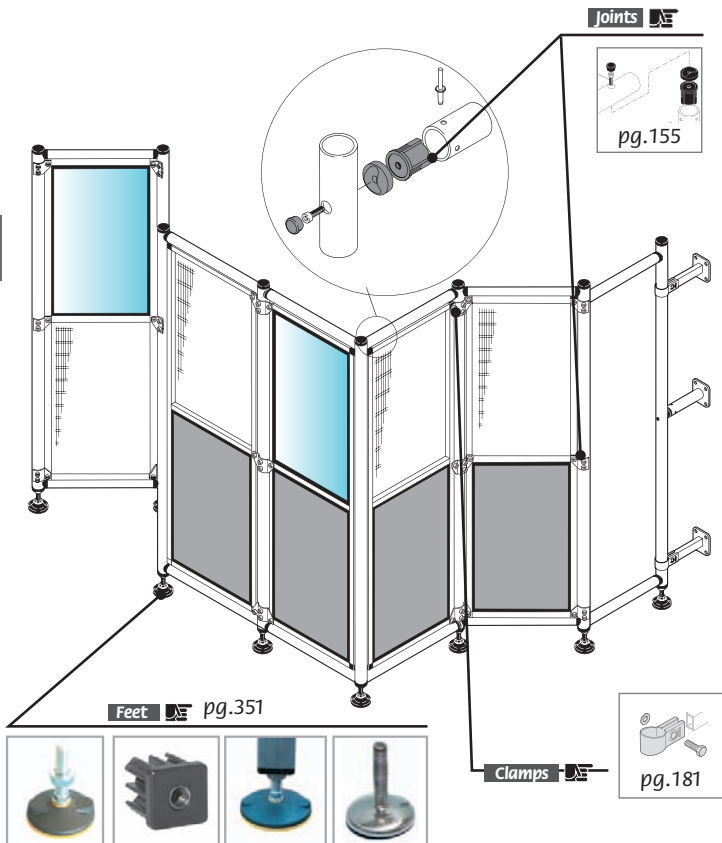
 pg.173	 pg.174	 pg.176	 pg.177	 pg.178
---	---	---	---	---

## Doorstops

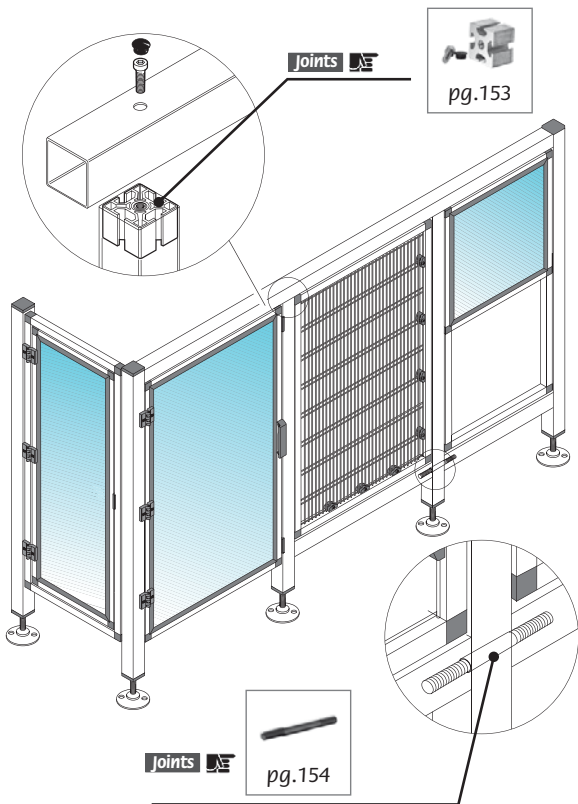
 pg.302	 pg.313	 pg.304	 pg.306	<i>combined</i>
 pg.308	 pg.310	 pg.312	 pg.315	 pg.328



# floor-mounted perimeter guards



# floor-mounted perimeter guards

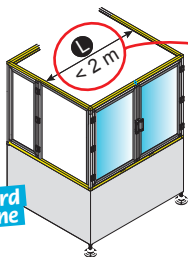




## Criteria for the choice of the **horizontal crossbeam**

according to the length **L** of the **largest side** of the structure

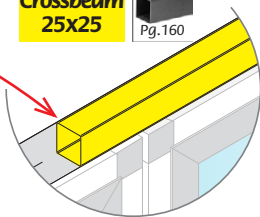
on board  
machine



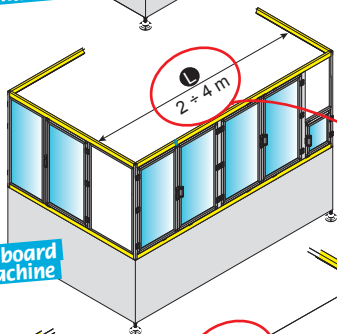
Crossbeam  
25x25



Pg.160



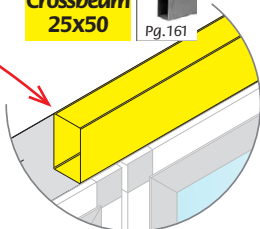
on board  
machine



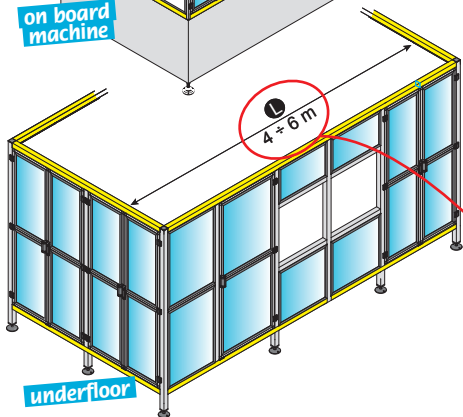
Crossbeam  
25x50



Pg.161



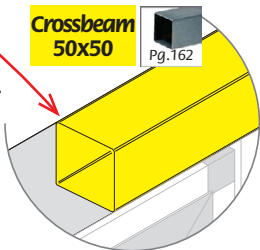
underfloor



Crossbeam  
50x50



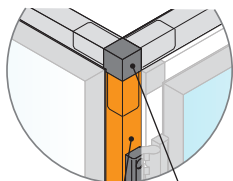
Pg.162



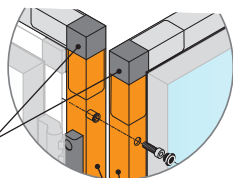
## Criteria for the choice of the **vertical stakes** according to the type of horizontal crossbeam



with crossbeam 25x25



2 way joint



3 way joint



Stakes  
25x25



Stakes  
25x25



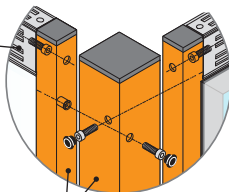
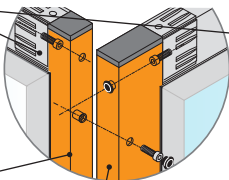
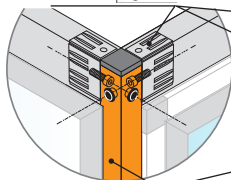
with crossbeam 25x50

Joint  
25x50



on board machine

underfloor



Stakes  
25x25



Stakes  
25x50



Stakes  
25x25



Stakes  
50x50

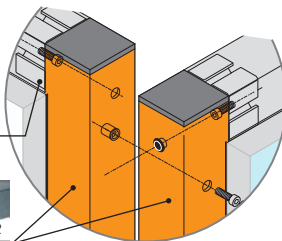


with crossbeam 50x50

Joint  
50x50

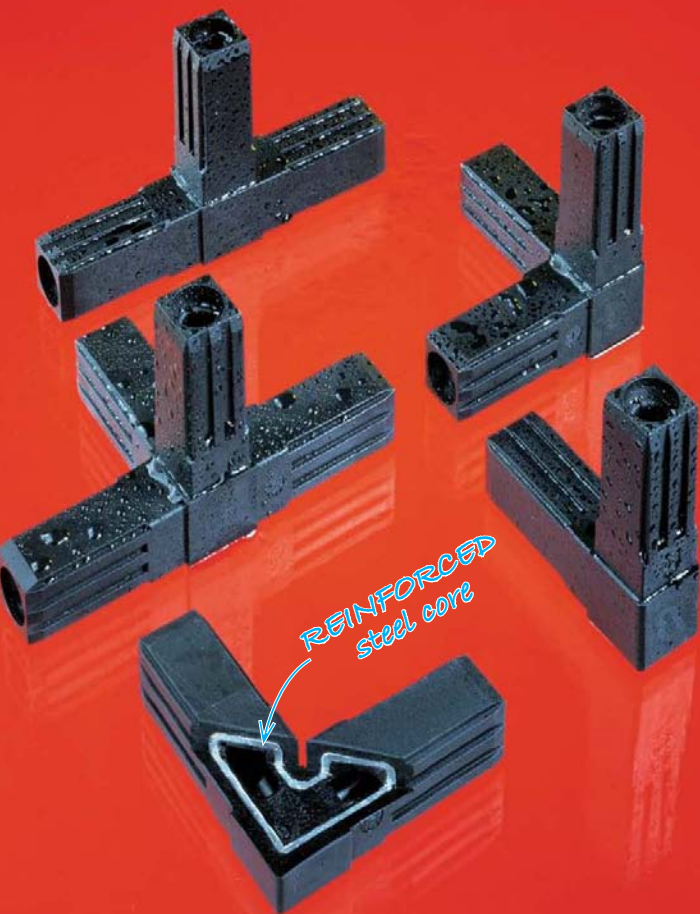


Stakes  
50x50



Series 25

FOOD



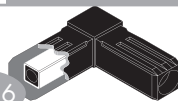
# Connection joints

For tubular bars in **stainless steel**

**Reinforced** joints with steel core

.....

5 p.136



**Light** joints (without steel core) **low-cost**

.....

5 p.147



Internal joints, adapters

.....

5 p.151



## WARNINGS

Only the Italian version of this catalogue is to be understood as the original version. Bett Sistemi shall not be held liable for any translation or transcription errors. The information contained in this catalogue is exclusively meant for component description purposes and shall not be understood as a statement made by Bett Sistemi regarding a specific characteristic of the component or its suitability for a specific use. The data provided **shall not relieve the customers from their responsibility to evaluate, check and consequently use any and all components.** All information is based on the data available at the time of publishing and is not binding. Bett Sistemi shall not be held liable for any incomplete or wrong information, and for any damage which may arise in connection with such information. The products may be modified at any time without prior notice, **we therefore recommend that you always check the product updates on the website [www.bettsistemi.com](http://www.bettsistemi.com)**

## 1101 A Series 25

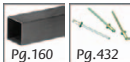
## 2-track

**Use:** ideal to construct structures made with stainless steel tubes size 25x25x1.2.

**Material:** black reinforced polyamide with steel core.

**Characteristics:** the drilled joint coupled with the tube by means of the rivet makes the structure more rigid and allows it to be moved without the risk of undesired part slipping off.

**Combinations**



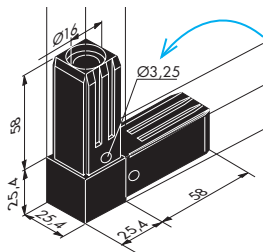
Pg.160

Pg.432

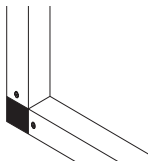
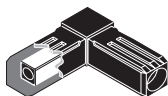
**Reinforced**



**with steel core**



*Drilled version*



### QUANTITY DISCOUNT

Q.ty	1+	50+	100+	200+
Discounts	-	-10%	-17%	on request

Order code	Pack	Version	Colour	Weight g	Stock	€ piece
673551	100 pcs	drilled	black RAL9005	136	✓	6,19
673541	100 pcs	not drilled	black RAL9005	136	✓	5,63

# 1101 B

Series 25

## 3-track with cross beam

**Use:** ideal to construct structures made with stainless steel tubes size 25x25x1.2.

**Material:** black reinforced polyamide with steel core.

**Characteristics:** the drilled joint coupled with the tube by means of the rivet makes the structure more rigid and allows it to be moved without the risk of undesired part slipping off.

**Combinations:** 

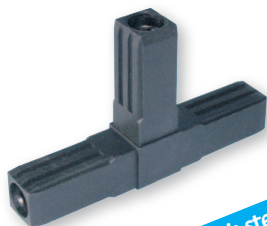
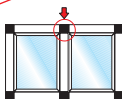


Pg.160

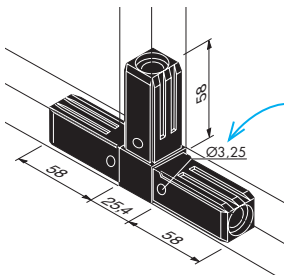


Pg.432

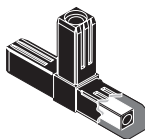
Reinforced



with steel core



Drilled version



### QUANTITY DISCOUNT

Q.ty	1+	50+	100+	200+
Discounts	-	-10%	-17%	on request

Order code	Pack	Version	Colour	Weight g	Stack	€ piece
673571	100 pcs	drilled	black RAL9005	195	✓	8,65
673561	100 pcs	not drilled	black RAL9005	195	✓	6,92

## 1101 D Series 25

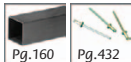
## 3-track

**Use:** perpendicular and orthogonal coupling, ideal to construct structures using tubes in stainless steel size 25x25x1.2.

**Material:** black reinforced polyamide with steel core.

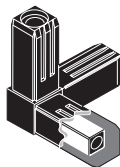
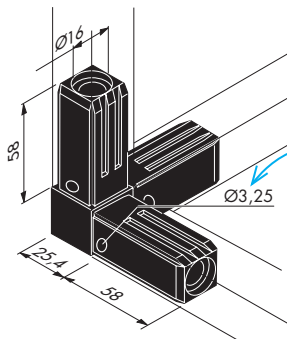
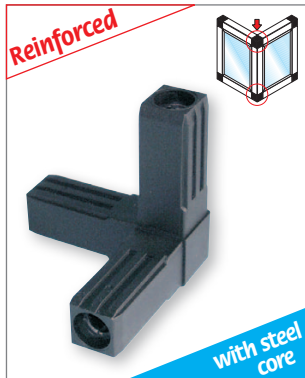
**Characteristics:** the drilled joint coupled with the tube by means of the rivet makes the structure more rigid and allows it to be moved without the risk of undesired part slipping off.

**Combinations**



Pg.160

Pg.432



### QUANTITY DISCOUNT

Q.ty Discounts	1+	50+	100+	200+
		-10%	-17%	on request

Order code	Pack	Version	Colour	Weight g	Stock	€ piece
673591	100 pcs	drilled	black RAL9005	195	✓	8,65
673581	100 pcs	not drilled	black RAL9005	195	✓	6,92

# 1101 E

Series 25

## 4-track with cross beam

**Use:** ideal to construct structures made with stainless steel tubes size 25x25x1.2.

**Material:** black reinforced polyamide with steel core.

**Characteristics:** the drilled joint coupled with the tube by means of the rivet makes the structure more rigid and allows it to be moved without the risk of undesired part slipping off.

**Combinations:** 



Pg.160

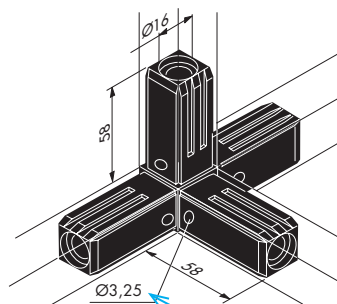


Pg.432

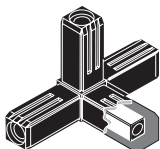
Reinforced



with steel core



Drilled version



### QUANTITY DISCOUNT

Q.ty Discounts	1+	50+	100+	200+
	-	-10%	-17%	on request

Order code	Pack	Version	Colour	Weight g	Stock	€ piece
611612	100 pcs	drilled	black RAL9005	262	✓	8.80
611602	100 pcs	not drilled	black RAL9005	262	✓	7,68

# 1123 A 2-track with rotating fulcrum

Series 25

**Use:** for folding doors and parallel sliding doors; article 650321 is only suitable for large-sized doors and is to be used in combination with 50x25 tubes.

**Material:** fulcrum in reinforced polyamide, joint in ABS, black reinforced polyamide with steel core.

**Characteristics:** the drilled joint coupled to the tube by means of the rivet makes the structure more rigid and allows it to be moved without the risk of parts slipping off.

**State of supply:** joint complete with fulcrum.

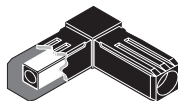
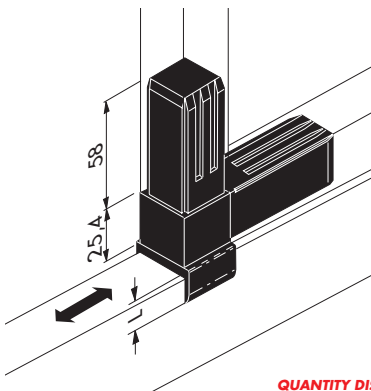
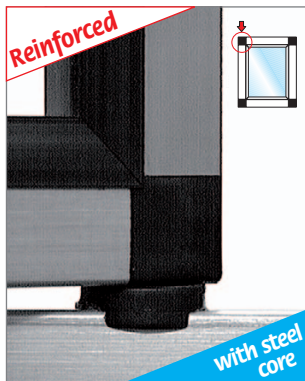
**Combinations:** 



Pg.160

Pg.161

Pg.432



### QUANTITY DISCOUNT

Q.ty Discounts	1+	6+	12+	24+
	-	-10%	-17%	on request

Order code	Pack	L mm	Colour	Weight g	Stock	€ piece
63247	12 pcs	4	black RAL9005	140	✓	9,82
650321	12 pcs	8	black RAL9005	140	✓	9,82

1121

Series 25

**2-track** with ball doorstops**Use:** for swing door locks that need to be flush with the door.**Material** joint in reinforced polyamide with steel core, ball presser in stainless steel AISI 304.**State of supply** joint complete with ball presser.**Combinations** 

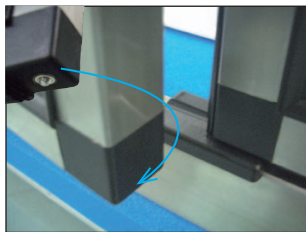
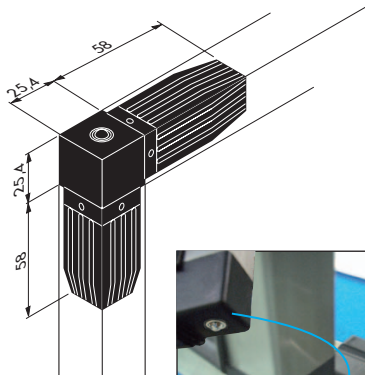
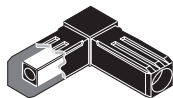
Pg.160



Pg.432



Pg.299

**Reinforced****with steel core****QUANTITY DISCOUNT**

Q.ty Discounts	1+	6+	12+	24+
	-	-10%	-17%	on request

Order code	Pack	Colour	Weight g	Stock	€ piece
63187	12 pcs	black RAL9005	138	✓	10,00

## 1164

## 2-track

Series 25

**Use:** in combination with Part 1165 or Part 1286 it can be used to construct panel guards that are easy and fast to remove.

**Material:** joint in black reinforced polyamide with steel core, stainless steel screw, black polyethylene cap.

**State of supply:** joint complete with 1 M6x25 socket head screw, 1 black end cap, ø13.5.

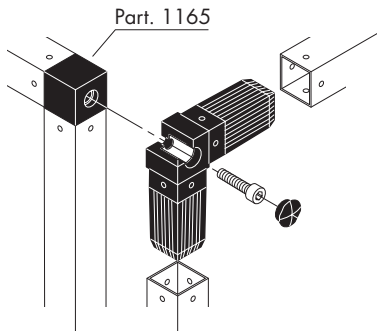
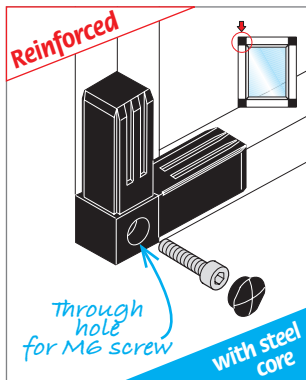
**Combinations:**



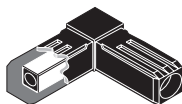
Pg.160

Pg.145

Pg.143



Part. 1165



### QUANTITY DISCOUNT

Qty	1+	6+	12+	24+
Discounts	-	-10%	-17%	on request

Order code	Pack	Colour	Weight g	Stock	€ piece
630761	12 pcs	black RAL9005	140	✓	9,76

1286

Series 25

3-track

**Use:** in combination with Part 1164 or secured directly to a structural tube, it can be used to construct tunnels and guards that are easy and fast to remove.

**Material:** joint in black reinforced polyamide with steel core; threaded bushing, M6 screw and spacer in stainless steel; black polyethylene cap.

**State of supply:** joint complete with 1 M6 threaded bushing in stainless steel, already fitted, 1 M6x30 socket head screw, 1 spacer thickness 6, 1  $\varnothing$ 13.5 black end cap.

**Combinations:**

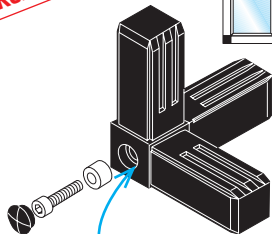
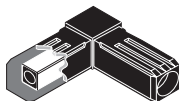
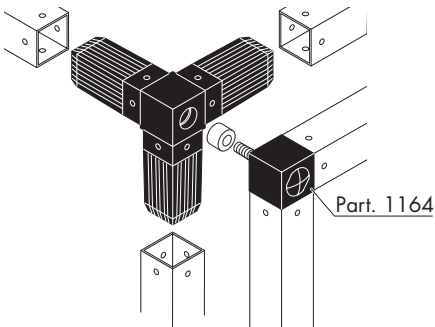


Pg.160



Pg.142

Reinforced

M6  
threadwith steel  
core

## QUANTITY DISCOUNT

Q. ty	1+	6+	12+	24+
Discounts	-	-10%	-17%	on request

Order code	Pack	Colour	Weight g	Stock	€ piece
673071	12 pcs	black RAL9005	200	■	15,08

■ Products not in stock minimum order: 100 pieces, delivery in 10 days.

## 1197

## 2-track

Series 25

**Use:** to construct panels to be secured directly on the machine structure by means of M6 screws or on floor-mounted guards made with tube Part 1166 and plates Part 1178/1179/1180.

**Material:** joint in black reinforced polyamide with steel core, threaded bushing and stainless steel screw.

**State of supply:** joint complete with 1 M6x20 socket head screw, 1 M6 threaded bushing, already fitted.

**Combinations**



Pg.160

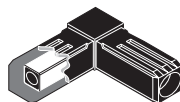
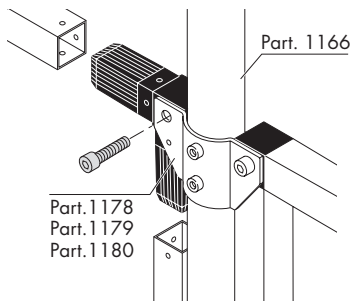
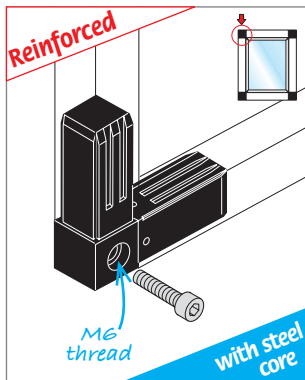
Pg.164

Pg.182

Pg.183

Pg.184

Pg.185



### QUANTITY DISCOUNT

Q.ty	1+	6+	12+	24+
Discounts	-	-10%	-17%	on request

Order code	Pack	Colour	Weight g	Stock	€ piece
650991	12 pcs	black RAL9005	143	✓	12,32

1165

Series 25

2-track

**Use:** in combination with Part 1164 it can be used to construct panel guards that are easy and fast to remove.

**Material** joint in black reinforced polyamide with steel core, threaded bushing and stainless steel screw.

**State of supply** joint complete with 1 M6 threaded bushing, already fitted.

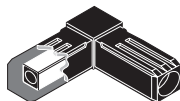
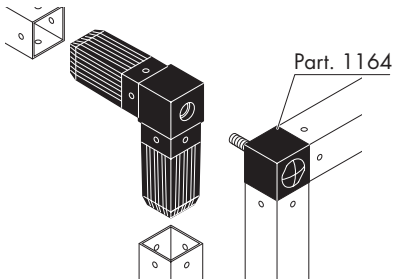
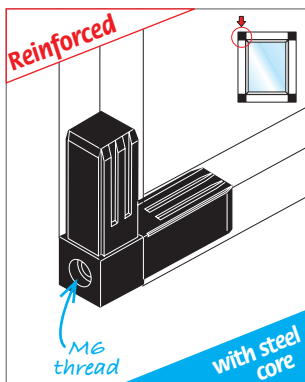
**Combinations** 



Pg.160



Pg.142



#### QUANTITY DISCOUNT

Q.ty Discounts	1+	6+	12+	24+
	-	-10%	-17%	on request

Order code	Pack	Colour	Weight g	Stock	€ piece
630771	12 pcs	black RAL9005	110	✓	12,32

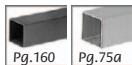
## 1324 Series 25

## 2-track embedded

**Use:** ideal to construct stainless steel tubes size 25x25x1.2; 90° angles.

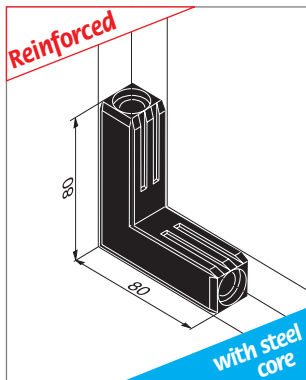
**Material** joint in black reinforced polyamide with steel core.

**Combinations**

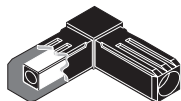
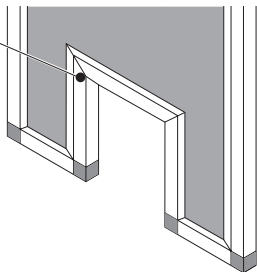


Pg.160

Pg.75a



Part. 1324  
Embedded  
joint



### QUANTITY DISCOUNT

Q.ty	1+	6+	12+	24+
Discounts	-	-10%	-17%	on request

Order code	Pack	Colour	Weight g	Stock	€ piece
688761	12 pcs	black RAL9005	129	✓	11,38

# 1250 A 2-track low-cost

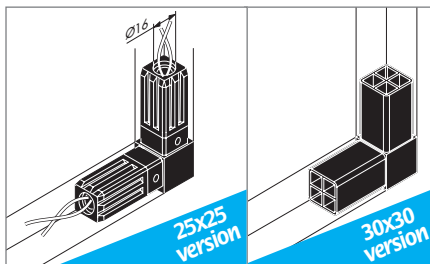
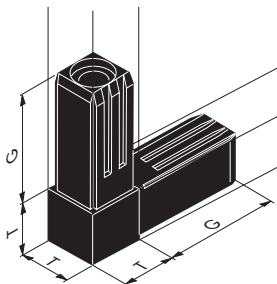
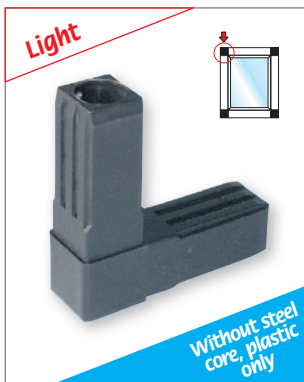
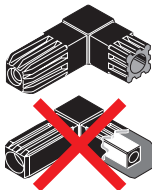
Series 25

**Use:** to construct structures with tubes in *aluminium* or small structures with tube in *stainless steel* in addition, electric wires can be laid inside it (version for 25x25 tube only).

**Material** reinforced polyamide without steel core.

**Characteristics:** their shape provides optimal locking inside the tube, with no deformation.

**Combinations**



### QUANTITY DISCOUNT

Q.ty	1+	50+	100+	200+
Discounts	-	-10%	-17%	on request

Order code	Confezione	Tube mm	T mm	G mm	Colour	Weight g	Stock	€ piece
661261	100 pcs	25x25x1,2	25,4	58	greyRAL7016	40	✓	3,10
621707	100 pcs	25x25x1,2	25,4	58	black RAL9005	40	✓	3,10
672317	100 pcs	30x30x2	30,2	42	black RAL9005	50	■	6,13

**Products not in stock** minimum order: 100 pieces, delivery in 15 days.

## 1250 B 3-track low-cost

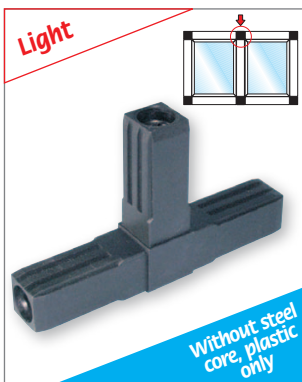
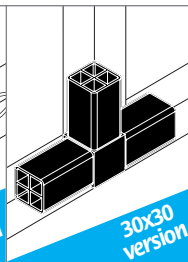
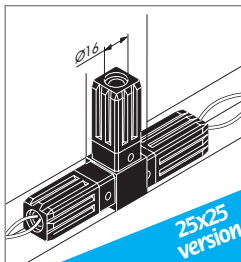
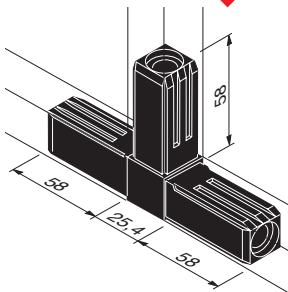
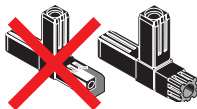
Series 25

**Use:** to construct structures with tubes in **aluminium** or small structures with tube in **stainless steel** in addition, electric wires can be laid inside it (version for 25x25 tube only).

**Material:** reinforced polyamide without steel core.

**Characteristics:** their shape provides optimal locking inside the tube, with no deformation.

**Combinations:**



### QUANTITY DISCOUNT

Q.ty Discounts	1+	50+	100+	200+
	-	-10%	-17%	on request

Order code	Pack	Tube mm	T mm	G mm	Colour	Weight g	Stock	€ piece
661271	100 pcs	25x25x1,2	25,4	58	grey RAL7016	70	✓	4,33
621717	100 pcs	25x25x1,2	25,4	58	black RAL9005	70	■	4,33
672327	100 pcs	30x30x2	30,2	42	black RAL9005	80	■	6,43

■ **Products not in stock** code 621717 minimum order: 500 pieces, delivery in 20 days;  
code 672327 minimum order: 100 pieces, delivery in 15 days.

# 1250 D 3-track low-cost

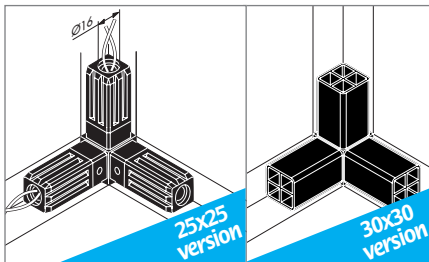
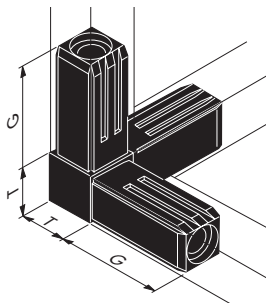
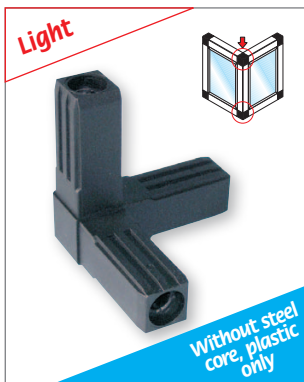
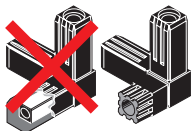
## Series 25

**Use:** to construct structures with tubes in **aluminium** or small structures with tube in **stainless steel** in addition, electric wires can be laid inside it (version for 25x25 tube only).

**Material** reinforced polyamide without steel core.

**Characteristics:** their shape provides optimal locking inside the tube, with no deformation.

**Combinations**



### QUANTITY DISCOUNT

Q. ty Discounts	1+	50+	100+	200+
	-	-10%	-17%	on request

Order code	Pack	Tube mm	T mm	G mm	Colour	Weight g	Stock	€ piece
661281	100 pcs	25x25x1,2	25,4	58	grey RAL7016	69	✓	4,33
621727	100 pcs	25x25x1,2	25,4	58	black RAL9005	69	■	4,33
672337	100 pcs	30x30x2	30,2	42	black RAL9005	79	■	6,43

■ **Products not in stock** code 621727 minimum order: 500 pieces, delivery in 20 days; code 672337 minimum order: 100 pieces, delivery in 15 days.

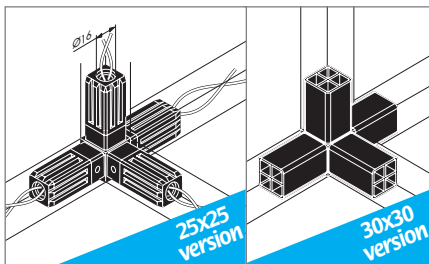
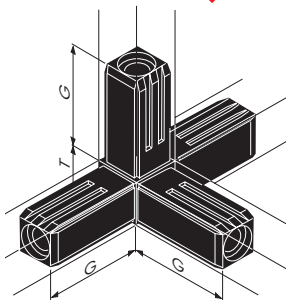
## 1250 E 4-track low-cost Series 25

**Use:** to construct structures with tubes in **aluminium** or small structures with tube in **stainless steel** in addition, electric wires can be laid inside it (version for 25x25 tube only).

**Material:** reinforced polyamide without steel core.

**Characteristics:** their shape provides optimal locking inside the tube, with no deformation.

**Combinations:**



### QUANTITY DISCOUNT

Q.ty Discounts	1+	50+	100+	200+
	-	-10%	-17%	on request

Order code	Pack	Tube mm	T mm	G mm	Colour	Weight g	Stock	€ piece
611622	100 pcs	25x25x1,2	25,4	58	grey RAL7016	97	✓	4,40
621737	100 pcs	25x25x1,2	25,4	58	black RAL9005	97	■	4,40
672347	100 pcs	30x30x2	30,2	42	black RAL9005	107	■	6,43

■ Products not in stock code 611622-621737 minimum order: 300 pieces, delivery in 20 days;  
code 672347 minimum order: 100 pieces, delivery in 15 days.

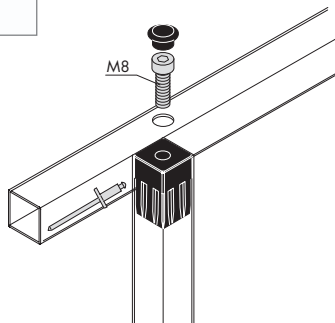
## 1150 Embedded



**Use:** to stiffen structures avoiding to cut the 25x25 mm tubes.

**Material** joint in reinforced polyamide with nut in nickel-plated brass, screw in stainless steel AISI 304, cap in polyethylene.

**State of supply** joint complete with 1 M8x25 screw, 2 end caps 13.5 ø (1 grey RAL 7016, 1 black RAL 9005), 1 tear-off rivet 3.2x10 ø.

Combinations 

## QUANTITY DISCOUNT

Qty	1+	10+	20+	40+
Discounts	-	-10%	-17%	on request

Code	Pack	Colour joint	Weight g	Stock	€ piece
611452	20 pcs	grey RAL7016	39	✓	4.54

# 1193 Embedded for tube 50X25

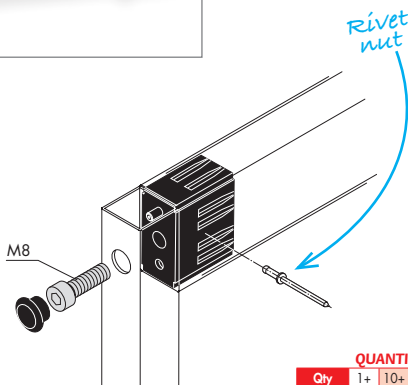
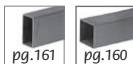


**Use:** to stiffen structures avoiding to cut the 50x25 mm tubes

**Material** joint in reinforced polyamide with nut in nickel-plated brass, screw in stainless steel AISI 304, cap in polyethylene.

**State of supply** joint complete with 1 M8x25 screw, 1 7x15ø pin, 2 end caps 13.5 ø, 1 tear-off rivet 3.2x10 ø.

### Combinations

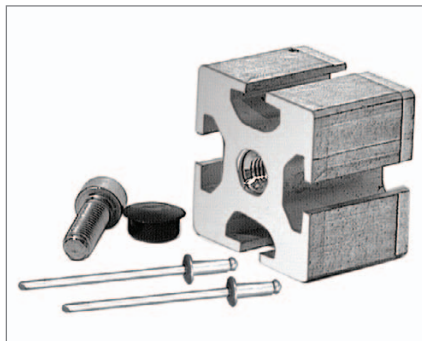


### QUANTITY DISCOUNT

Qty	1+	10+	20+	40+
Discounts	-	-10%	-17%	on request

Code	Pack	Colour	Weight	Stock	€
611482	20 pcs	black RAL9005	50 g	✓	piece 6.81

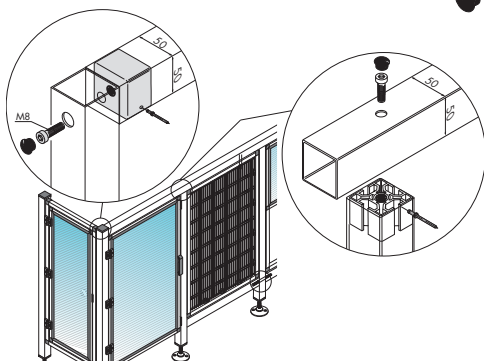
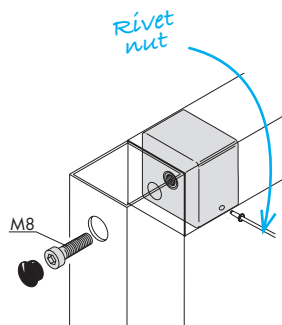
1221

Embedded for tube **50x50**

**Use:** suitable for tubes size 50x50x1.5; to stiffen structures avoiding any tube cuts.

**Material** aluminium joint, screws in stainless steel AISI 304, cap in polyethylene.

**State of supply** complete with 1 M8x25 screw, 1 end cap 13.5  $\phi$ , 2 tear-off rivet 3.2x10  $\phi$ .

Combinations 

## QUANTITY DISCOUNT

Qty	1+	6+	12+	24+
Discounts	-	-10%	-17%	on request

Code	Pack	Weight	Stock	€
657961	12 pcs	g 95	✓	piece 12.76

# 886 Coupling stud bolt



**Use:** cross-type coupling of 50x50mm tubes, Part 1126.

**Material:** AISI 304 stainless steel.

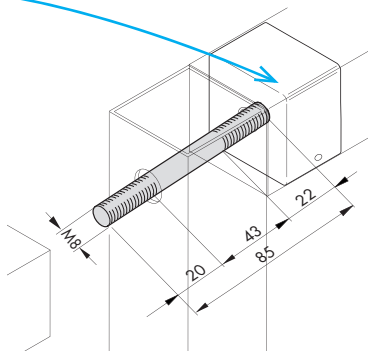
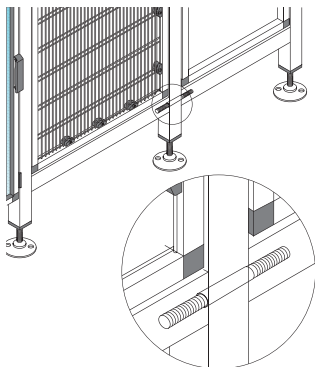
## Combinations



pg.162



pg.153



## QUANTITY DISCOUNT

Qty	1+	10+	20+	40+
Discounts	-	-10%	-17%	on request

Code	Pack	Weight	Stock	€
60256	20 pcs	g	✓	piece
		30		1.73

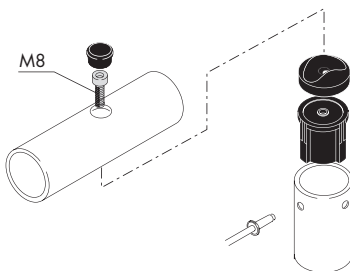
1183 Internal for  $\varnothing 48.3$  tube, 1.5 mm thick

**Use:** used to connect 2 or more tubes (Part 1166) at variable inclinations to construct load-bearing structures.

**Material** Adapter in reinforced polyamide, inside joint in aluminium, end cap in polyethylene, screw and rivets in stainless steel AISI 304.

**State of supply** complete with 1 inside joint, 1 adapter, 1 end cap, 1 M8x25 socket head screw, 2 tear-off rivet, 3.2x8  $\varnothing$ .

Combinations 

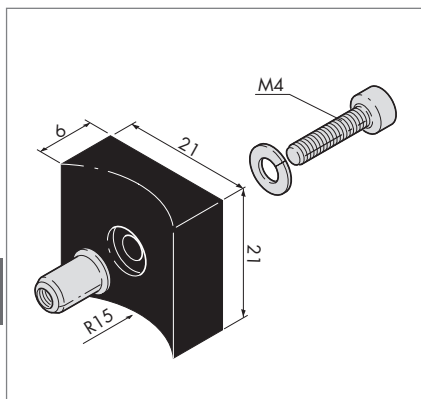


## QUANTITY DISCOUNT

Qty	1+	6+	12+	24+
Discounts	-	-10%	-17%	on request

Code	Pack	Colour	Weight	Stock	€
			g		piece
688901	12 pcs	black RAL9005	102	✓	11.37

# 1269 Adapter kit for tube Ø30



**Use:** the system allows fitting fixed panels at any angle, even different from 90°, using a 30ø tubular column.

**Material:** polyethylene adapter; screws, washers and rivet in stainless steel AISI 304.

**State of supply:** code 665451: 1 M4 washer, 1 M4 tubular rivet, 1 M4x18 socket head screw, 1 adapter.

code 665441: 1 M4 washer, 1 3.9x19 self-threading screw, 1 adapter.

## Combinations



pg.163



### QUANTITY DISCOUNT

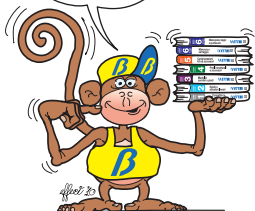
Qty	1+	6+	12+	24+
Discounts	-	-10%	-17%	on request

Code	Pack	Colour	Weight g	Stock	€ piece
665451	12 pcs	black RAL9005	5	■	10.59
665441	12 pcs	black RAL9005	5	■	8.94

■ **Products not in stock** minimum order: 50 pieces, delivery in 20 days.



Have you got all the BOOKS?





# Tubes, profiles and end caps

Steel tubes in **stainless steel**

.....

5 p.160



Light tubes in **aluminium**

.....

5 p.165



Plastic profiles

.....

5 p.167



Light plastic profiles

.....

5 p.179



Steel clamps

.....

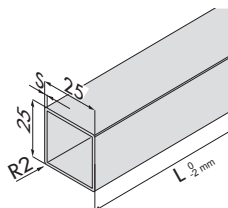
5 p.181



## WARNINGS

Only the Italian version of this catalogue is to be understood as the original version. Bett Sistemi shall not be held liable for any translation or transcription errors. The information contained in this catalogue is exclusively meant for component description purposes and shall not be understood as a statement made by Bett Sistemi regarding a specific characteristic of the component or its suitability for a specific use. The data provided **shall not relieve the customers from their responsibility to evaluate, check and consequently use any and all components.** All information is based on the data available at the time of publishing and is not binding. Bett Sistemi shall not be held liable for any incomplete or wrong information, and for any damage which may arise in connection with such information. The products may be modified at any time without prior notice, **we therefore recommend that you always check the product updates on the website [www.bettsistemi.com](http://www.bettsistemi.com)**

## 1001 25x25 square tube in stainless steel



**Use:** in combination with the connection joints, to construct safety guards in general for the food and pharmaceutical sector.

**Material** AISI 304 stainless steel.

**Aluminium** version pg.165

**Combinations**

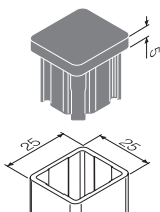


**QUANTITY DISCOUNT**

Qty	1+	4+	8+	16+
Discounts	-	-10%	-17%	on request

Code	Pack	S mm	Finish	Weight g/m	Stock	€ bar
66866	8 X 3 m	1.2	ScotchBrite	910	✓	33.24
66506	8 X 6 m	1.2	ScotchBrite	910	✓	64.62

## 1110 25x25 end cap



**Use:** to close the ends of 25x25 square tubes with a thickness from 1 to 2 mm.

**Material** polyethylene.

**Combinations**

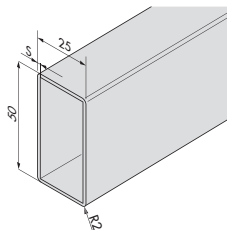
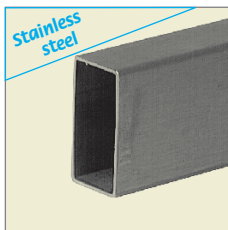


**QUANTITY DISCOUNT**

Qty	1+	6+	12+	24+
Discounts	-	-10%	-17%	on request

Code	Pack	Colour	Weight g	Stock	€ piece
676002	24 pcs	black RAL9005	5	✓	0.43

## 1185 25x50 rectangular tube in stainless steel



**Use:** for safety guards and systems in general.

**Material:** AISI 304 stainless steel.

## Combinations

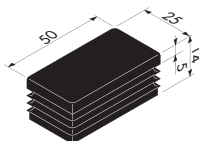


## QUANTITY DISCOUNT

Qty	1+	2+	4+	8+
Discounts	-	-10%	-17%	on request

Code	Pack	S mm	Finish	Weight g/m	Stock	€ bar
639491	2 X 6 m	1.5	ScotchBrite	1750	✓	130.50

## 1244 25x50 end cap



**Use:** to close the ends of 25x50 square tubes with a thickness from 1.5 to 2 mm.

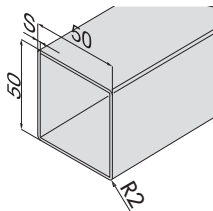
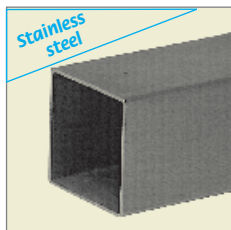
**Material:** polyethylene.

## QUANTITY DISCOUNT

Qty	1+	6+	12+	24+
Discounts	-	-10%	-17%	on request

Code	Pack	Colour	Weight g	Stock	€ piece
660741	12 pcs	black RAL9005	10	✓	0.94

## 1126 50x50 square tube in stainless steel



**Use:** for perimeter safety guards in general and for floor-mounted columns.

**Material:** AISI 304 stainless steel.

Combinations



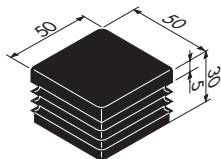
### QUANTITY DISCOUNT

Qty	1+	2+	4+	8+
Discounts	-	-10%	-17%	on request

Code	Pack	S mm	Finish	Weight g/m	Stock	€ bar
69997	2 X 6 m	3	ScotchBrite	4650	■	207.72
650801	2 X 6 m	1.5	ScotchBrite	2330	✓	141.78

■ **Products not in stock** minimum order: 2 bars, delivery in 10 days.

## 1140 50x50 end cap



**Use:** to close the ends of 50x50 square tubes with a thickness from 1.5 to 3 mm.

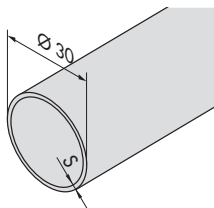
**Material:** polyethylene.

### QUANTITY DISCOUNT

Qty	1+	6+	12+	24+
Discounts	-	-10%	-17%	on request

Code	Pack	Colour	Tube thickness mm	Weight g	Stock	€ piece
660871	12 pcs	black RAL9005	1.5÷2	12	✓	2.22
641291	12 pcs	black RAL9005	3	12	✓	2.77

2012

Round tube in **stainless steel**

**Use:** for safety guards and systems in general.

**Material:** AISI 304 stainless steel.

Combinations



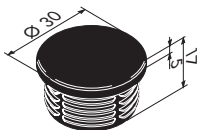
## QUANTITY DISCOUNT

Qty	1+	2+	4+	8+
Discounts	-	-10%	-17%	on request

Code	Pack	S mm	Finish	Weight g/m	Stock	€ bar
639481	2 X 6 m	1.2	Brushed	1070	✓	50.52

**Personalizations:** the tubes can be supplied cut to size and bevelled (€ 3 per cut) and delivered in kits.

## 1272 End cap for Ø30 metric tubes



**Use:** to close the ends of 30 Ø round tubes with a thickness from 1 to 2 mm.

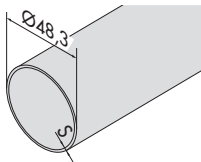
**Material:** polyethylene.

## QUANTITY DISCOUNT

Qty	1+	6+	12+	24+
Discounts	-	-10%	-17%	on request

Code	Pack	Colour	Weight g	Stock	€ piece
665531	12 pcs	black RAL9005	3	✓	0.95

## 2012 Round tube Ø48.3 in stainless steel



**Use:** for perimeter safety guards in general and for floor-mounted columns.

**Material:** AISI 304 stainless steel.

**Combinations**



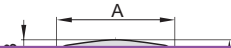
### QUANTITY DISCOUNT

Qty	1+	2+	4+	8+
Discounts	-	-10%	-17%	on request

Code	Pack	S mm	Finish	Weight g/m	Stock	€ bar
630951	2 X 6 m	1.5	ScotchBrite	1760	✓	136.92

**Personalizations:** the tubes can be supplied cut to size and bevelled (€ 3 per cut) and delivered in kits.

## 1167 End cap for tubes in inches



**Use:** to close the ends of 1 to 2 mm thick tubes.

**Material:** RAL9005 black polyamide

**THIS PRODUCT HAS BEEN UPDATED!**

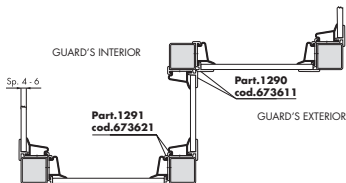
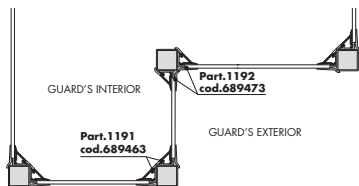
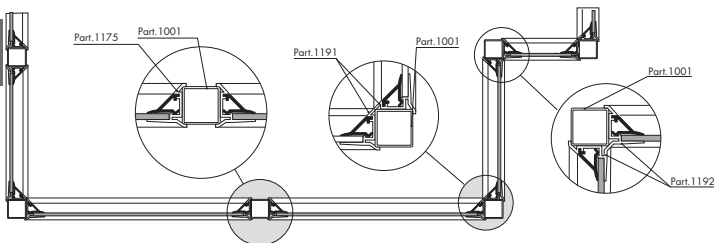
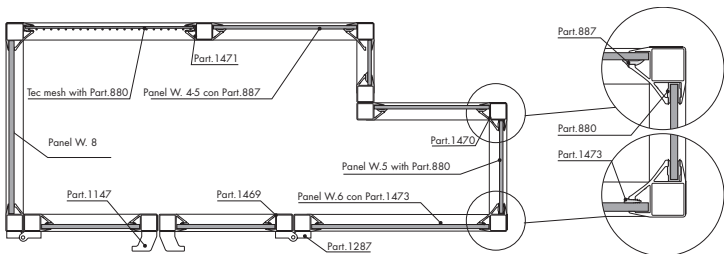
Download the Web Novelties



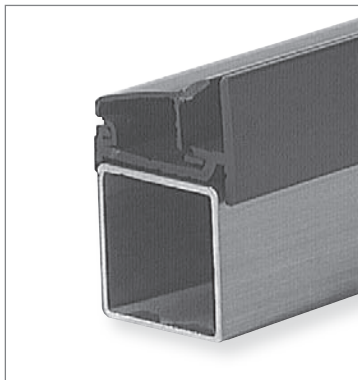
### QUANTITY DISCOUNT

Qty	1+	6+	12+	24+
Discounts	-	-10%	-17%	on request

Code	Pack	Ø	mm	mm	mm	Color	Peso g	Stock	€ piece
606242	240 pcs	3/4 gas (26,9 mm)	1-2	4	15,5	Black Ral 9005	2	✓	1,40
606232	240 pcs	1" gas (33,7 mm)	1-2	4	15,5	Black Ral 9005	3	✓	1,50
606222	240 pcs	1/4 gas (42,4 mm)	1-2	5	16,5	Black Ral 9005	4	✓	1,75
630971	12 pcs	1/2 gas (48,3 mm)	1-2	5	16,5	Black Ral 9005	8	✓	2,23
618612	240 pcs	2" gas (60,3 mm)	1-2			Black Ral 9005		✓	2,23



## 1289 Fastening profile

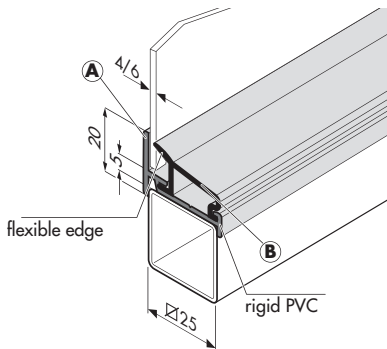


**Use:** to fasten panels with a thickness from 4 to 6 mm on tube part 1001. It is the ideal solution when the panels need to be frequently removed, since the fastening profile for panel B can be quickly fitted and removed without getting damaged.

**Material** Rigid PVC.

**State of supply** 3 m bars consisting of a mounting profile A and a fastening profile for panel B.

pg.186  **Assembly instructions:**

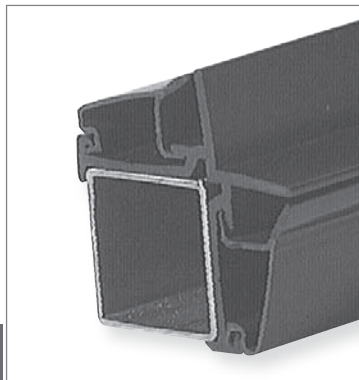
Combinations 

## QUANTITY DISCOUNT

Qty	1+	7+	15+	30+
Discounts	-	-10%	-17%	on request

Code	Pack	Colour	Weight g/m	Stock	€ bar
673601	15 X 3 m	black RAL9005	222	✓	17.7

# 1290 Fastening profile



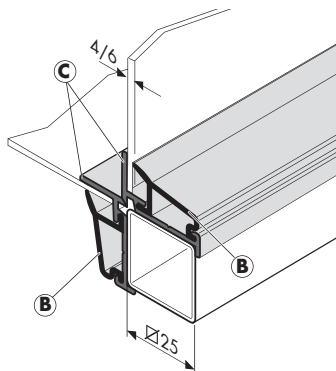
**Use:** to fasten panels with a thickness from 4 to 6 mm on tube part 1001. It is the ideal solution when the panels need to be frequently removed, since the fastening profile for panel B can be quickly fitted and removed without getting damaged.

**Material** Rigid PVC.

**State of supply** 3 m bars consisting of 2 machined mounting profiles C and 2 fastening profiles for panel B.

pg.186   Assembly instructions:

### Combinations

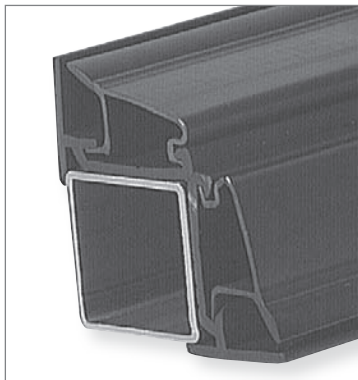


### QUANTITY DISCOUNT

Qty	1+	2+	4+	8+
Discounts	-	-10%	-17%	on request

Code	Pack	Colour	Weight g/m	Stock	€ bar
673611	12 X 3 m	black RAL9005	350	✓	39.24

## 1291 Fastening profile



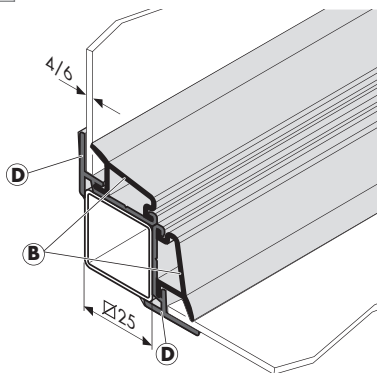
**Use:** to fasten panels with a thickness from 4 to 6 mm on tube part 1001. It is the ideal solution when the panels need to be frequently removed, since the fastening profile for panel B can be quickly fitted and removed without getting damaged.

**Material** Rigid PVC.

**State of supply** 3 m bars consisting of 2 machined mounting profiles D and 2 fastening profiles for panel B.

Combinations 

pg.186  Assembly instructions:



## QUANTITY DISCOUNT

Qty	1+	2+	4+	8+
Discounts	-	-10%	-17%	on request

Code	Pack	Colour	Weight g/m	Stock	€ bar
673621	12 X 3 m	black RAL9005	350	✓	39.24

# 1175 Fastening profile



**Use:** to fasten panels with a thickness from 1 to 6 mm on tube part 1001. Particularly suitable for the food sector, where pooling areas must be avoided and when the buffer panel is not frequently removed: it should be remembered that panel B fastening profile is damaged every time it is removed and must therefore be replaced.

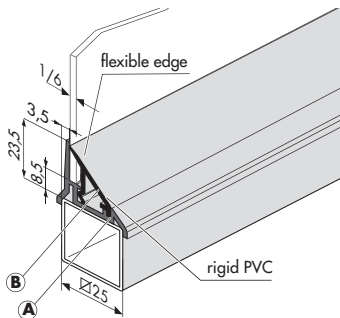
**Material** Rigid PVC.

**State of supply** 3m bars composed of 1 mounting profile A and 1 fastening profile for panel B.

**Combinations**



pg.186 Assembly instructions:



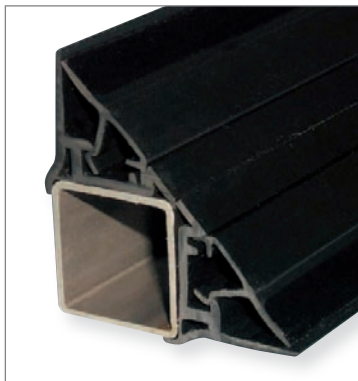
**QUANTITY DISCOUNT**

Qty	1+	7+	15+	30+
Discounts	-	-10%	-17%	on request

Code	Pack	Colour	Weight g/m	Stock	€ bar
683093	15 X 3 m	black RAL9005	222	✓	15.36
689953	15 X 3 m	grey RAL7016	222	■	15.36

▪ **Products not in stock** minimum order 1500 metres, delivery in 20 days.

## 1191 Fastening profile



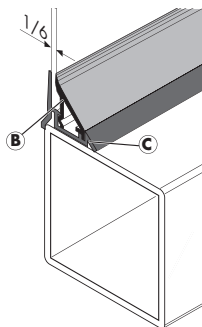
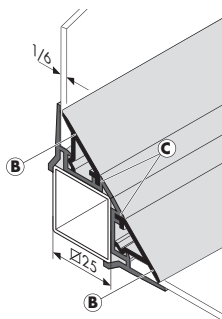
**Use:** to fasten panels with a thickness from 1 to 6 mm on tube part 1001. Particularly suitable for the food sector, where pooling areas must be avoided and when the buffer panel is not frequently removed: it should be remembered that panel B fastening profile is damaged every time it is removed and must therefore be replaced.

**Material** Rigid PVC.

**State of supply** 3 m bars consisting of 2 machined mounting profiles C and 2 fastening profiles for panel B.

pg.186 **Assembly instructions:**

## Combinations

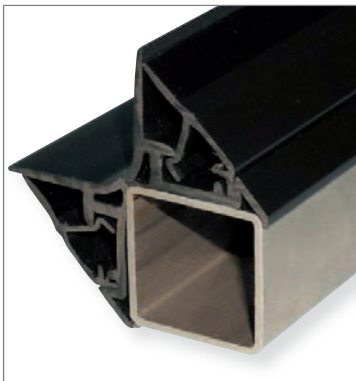


## QUANTITY DISCOUNT

Qty	1+	2+	4+	8+
Discounts	-	-10%	-17%	on request

Code	Pack	Colour	Weight g/m	Stock	€ bar
689463	4 X 3 m	black RAL9005	408	✓	39.24

# 1192 Fastening profile

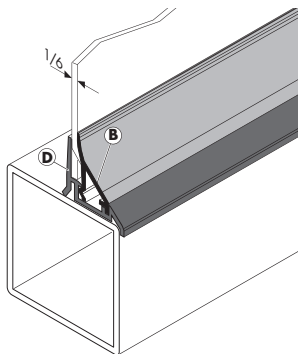


**Use:** to fasten panels with a thickness from 1 to 6 mm on tube part 1001. Particularly suitable for the food sector, where pooling areas must be avoided and when the buffer panel is not frequently removed: it should be remembered that panel B fastening profile is damaged every time it is removed and must therefore be replaced.

**Material** Rigid PVC.

**State of supply** 3 m bars consisting of 2 machined mounting profiles D and 2 fastening profiles for panel B.

pg.186   **Assembly instructions:**



## Combinations



## QUANTITY DISCOUNT

Qty	1+	2+	4+	8+
Discounts	-	-10%	-17%	on request

Code	Pack	Colour	Weight g/m	Stock	€ bar
689473	4 X 3 m	black RAL9005	408	✓	39.24

## 1486 Profile for sliding doors

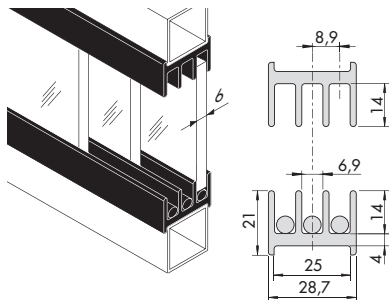


**Use:** for small-sized, 6 mm thick sliding panels.

**Material** profiles for black polyethylene panels, black polyacetal sliding rod.

**State of supply** every metre of sliding profile comprises 2 metres of finned profile (one metre for the upper part and one metre for the lower part of the panel) and 3 metres of sliding rod (1 metre for each finned profile groove). 3m bars.

pg.186  Assembly instructions:

Combinations 

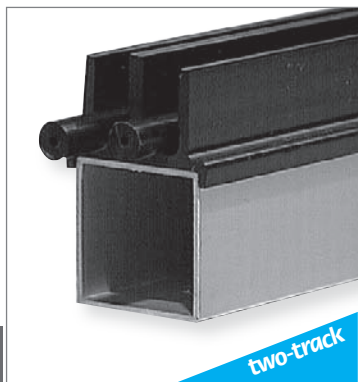
## QUANTITY DISCOUNT

Qty	1+	2+	4+	8+
Discounts	-	-10%	-17%	on request

Code	Pack	Colour	Weight g/m	Stock	€ bar
631502	2 X 3 m	black RAL9005	730		182.37

 Products not in stock minimum order: 6 bars, delivery in 20 days.

# 1116 Profile for sliding doors



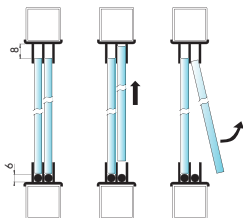
**Use:** for small-sized, 6 mm thick sliding panels.

**Material** profiles for black rigid PVC panels, black polyacetal sliding rod.

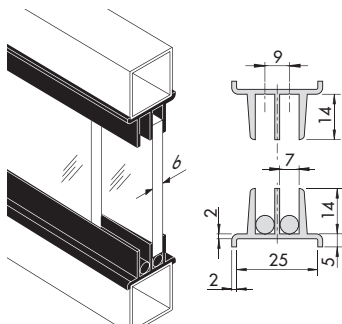
**State of supply** every metre of sliding profile comprises 2 metres of finned profile (one metre for the upper part and one metre for the lower part of the panel) and 2 metres of sliding rod (1 metre for each finned profile groove). 3m bars.

pg.186 Assembly instructions:

**Combinations**



The panels may be removed without disassembling the external structure



**QUANTITY DISCOUNT**

Qty	1+	2+	4+	8+
Discounts	-	-10%	-17%	on request

Code	Pack	Colour	Weight g/m	Stock	€ bar
621274	2 X 3 m	black RAL9005	556	✓	54.75

1115

## Profile for sliding doors



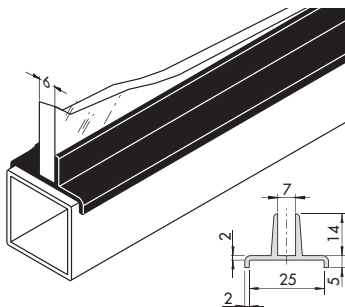
**Use:** in combination with 25x25 mm stainless steel or aluminium tubes Part 1001, for fitting 6 mm-thick fixed panels.

**Material** Rigid PVC.

**State of supply** 3m bars.

pg.186  Assembly instructions:

**Combinations** 

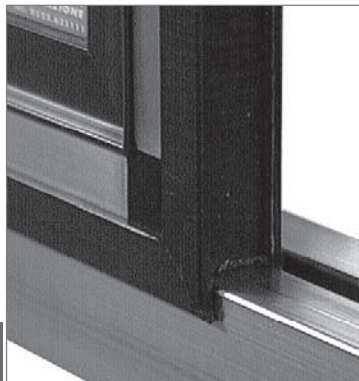


## QUANTITY DISCOUNT

Qty	1+	3+	6+	12+
Discounts	-	-10%	-17%	on request

Code	Pack	Colour	Weight g/m	Stock	€ bar
621284	4 X 3 m	black RAL9005	180	✓	16.35

## 1195 Sliding guide for sliding doors



**Use:** for large-sized sliding panels with a framework constructed with tube size 25x50.

**Material** high molecular weight polyethylene.

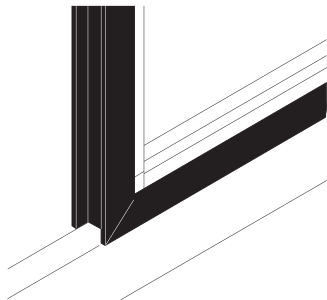
**State of supply** 2m-long bars predrilled with 150mm distance between centres and ready for fastening using rivet Part 1186, or without holes.

### Combinations



pg.161

pg.432



### QUANTITY DISCOUNT

Qty	1+	3+	6+	12+
Discounts	-	-10%	-17%	on request

Code	Pack	Version	Colour	Weight g/m	Stock	€ bar
650301	6 X 2 m	Pre-drilled	black RAL9005	250	✓	43.76
651581	6 X 2 m	Not machined	black RAL9005	250	✓	26.76

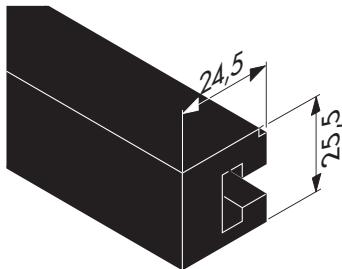
## 1560 Sliding guide for sliding doors



**Use:** to construct gull-wing folding doors.

**Material** high molecular weight polyethylene.

**State of supply** 2m-long bars.

Combinations 

## QUANTITY DISCOUNT

Qty	12+	24+
Discounts	-	on request

Code	Pack	Colour	Weight g/m	Stock	€ bar
652352	6 X 2 m	black RAL9005	250	■	58.10

■ Products not in stock minimum order: 6 bars, delivery in 15 days.

# 1561 Sliding bracket



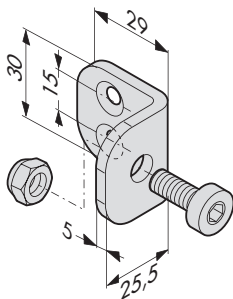
Stainless steel

**Use:** to construct gull-wing folding doors.

**Material** stainless steel.

**State of supply** complete with M8x20 screw and 1 M8 hexagon nut.

Combinations



**QUANTITY DISCOUNT**

Qty	1+	6+	12+	24+
Discounts	-	-10%	-17%	on request

Code	Pack	Weight	Stock	€
		g		piece
652362	12 pcs	75	✓	12.59

2399

## Sealing profile for doors

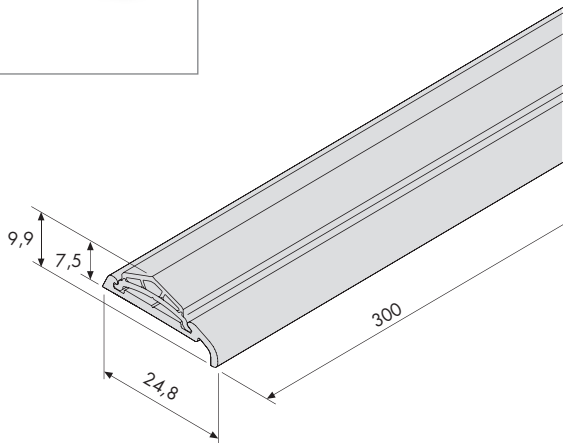


**Use:** sealing gasket for doors and frameworks.

**Material** 3m-long profile in flexible rigid PVC

**State of supply** 3m-long disassembled bars (rigid + flexible part).

pg.186   **Assembly instructions:**



## QUANTITY DISCOUNT

Qty	1+	8+	15+	30+
Discounts	-	-10%	-17%	on request

Code	Pack	Colour	Weight g/m	Stock	€ bar
681304	15 X 3 m	black RAL9005	74	✓	17.28

## 2588 Removable profile for panels

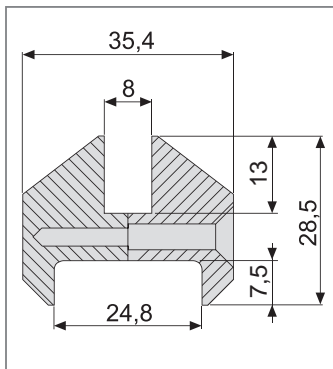
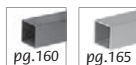


Thickness: 8 mm

**Material** black polyethylene.

**State of supply** 1 bar consisting of two sections (one front and one rear) with 14 holes for countersunk head screws with 200mm pitch and 14 4.5x30mm countersunk crosshead screws in stainless steel.

### Combinations



### QUANTITY DISCOUNT

Qty	1+	2+	4+	8+
Discounts	-	-10%	-17%	on request

Code	Pack	Colour	Weight g/m	Stock	€ bar
652864	4 X 3 m	black RAL9005	1690	✓	274.23

1182

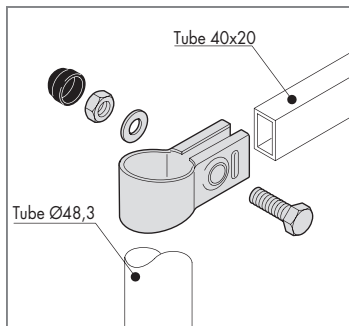
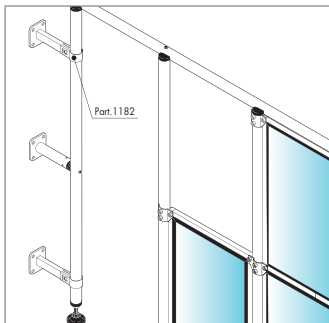
## Connection joint for tube



**Use:** to couple a 48.3Ø tube and a 40x20mm rectangular tube, at 90°.

**Material** connection joint, screw, washer and nut in AISI 304 stainless steel, nut protection cap in polyethylene.

**State of supply** complete with 1 joint, 1 M10x45 hexagon head screw, 1 washer, 1 protection cap, 1 M10 hexagon nut.

Combinations 

## QUANTITY DISCOUNT

Qty	1+	2+	4+	8+
Discounts	-	-10%	-17%	on request

Code	Pack	Weight	Stock	€
		g		piece
639471	4 pcs	290	✓	19.75

## 1179 Fastening plate, 90°



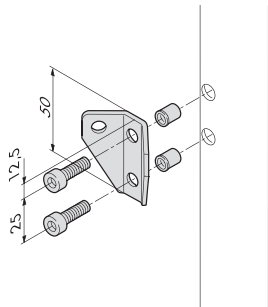
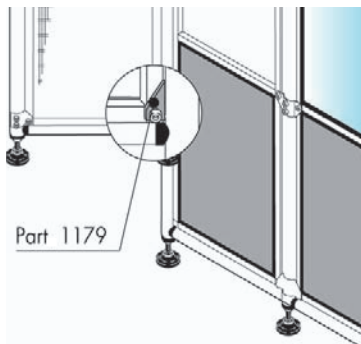
Stainless steel

**Use:** to fasten 90°-angled panels to floor-mounted columns.

**Material** stainless steel AISI 304.

**State of supply** 1 plate, 2 threaded inserts, 2 M6 X20 socket head screws.

Combinations



### QUANTITY DISCOUNT

Qty	1+	4+	8+	16+
Discounts	-	-10%	-17%	on request

Code	Pack	Weight	Stock	€
637431	8 pcs	g	✓	piece
		84		15.27

## 1180 Fastening plate, 135°

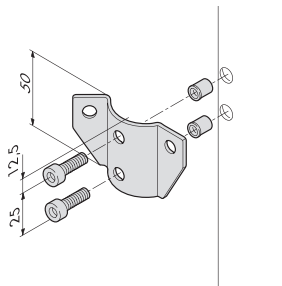
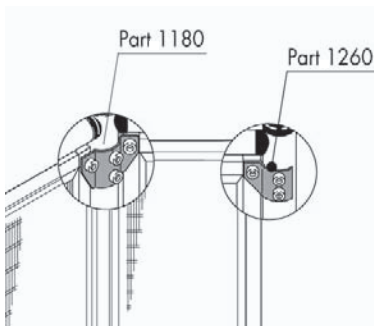


**Use:** to fasten 135°-angled panels to floor-mounted columns.

**Material** stainless steel AISI 304.

**State of supply** 1 plate, 2 threaded inserts, 2 M6 X20 socket head screws.

Combinations



## QUANTITY DISCOUNT

Qty	1+	4+	8+	16+
Discounts	-	-10%	-17%	on request

Code	Pack	Weight	Stock	€
		g		piece
637441	8 pcs	100	✓	15.27

## 1178 Fastening plate, 180°

Stainless steel



**Use:** to fasten 180°-angled panels to floor-mounted columns.

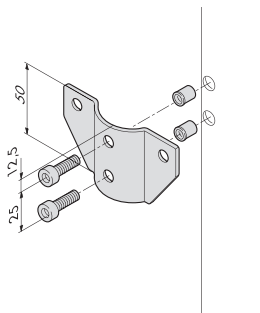
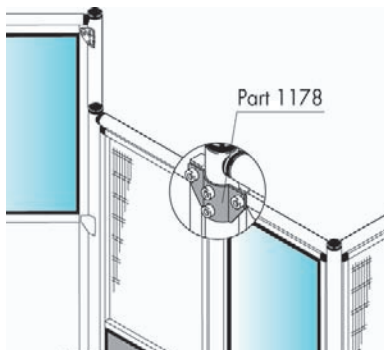
**Material** stainless steel AISI 304.

**State of supply** 1 plate, 2 threaded inserts, 2 M6 X20 socket head screws.

Combinations



pg.164



### QUANTITY DISCOUNT

Qty	1+	4+	8+	16+
Discounts	-	-10%	-17%	on request

Code	Pack	Weight g	Stock	€ piece
637421	8 pcs	125	✓	15.27

1260

## Individual fastening plate



**Use:** to fasten the panel on one side only of the floor-mounted column, as stiffening element in the event of large-sized panels or to create angles between 90° and 135°, fitting the RH and LH plates in combination.

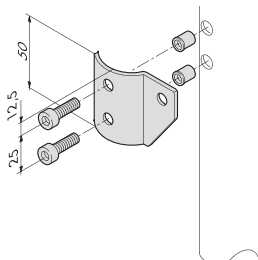
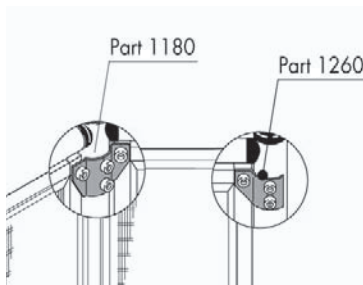
**Material** stainless steel AISI 304.

**State of supply** 1 plate, 2 threaded inserts, 2 M6 X20 socket head screws.

Combinations



pg.164



## QUANTITY DISCOUNT

Qty	1+	4+	8+	16+
Discounts	-	-10%	-17%	on request

Code	Pack	Version	Weight	Stock	€
			g		piece
664911	8 pcs	right	91	✓	33.79
664921	8 pcs	left	91	✓	33.79



**Fastening profile assembly, Part 1289-1290-1291-1175-1191-1192-1486-1116-1115**

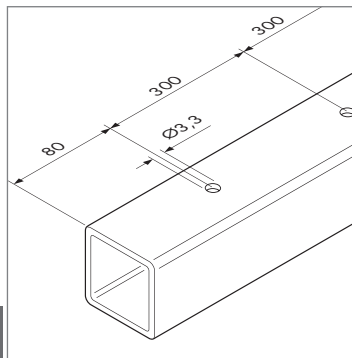


Fig. 1: drill 3.3Ø holes on the tube where the gasket will be secured (recommended pitch: 300 mm).

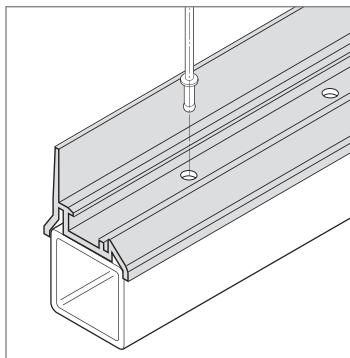


Fig. 2: secure the rigid section of the gasket on the tube, using 3.2x8 rivets (Part 1186).

To facilitate the drilling phase, it is possible to prefit the rigid section of the gasket to the tube, using silicone.

**WARNING:** always use rivets for fastening. Using only silicone in the place of rivets does not ensure proper fastening over time, due to the different thermal expansion coefficient of the tube and the gasket.



## Sealing profile assembly for doors, Part 2399

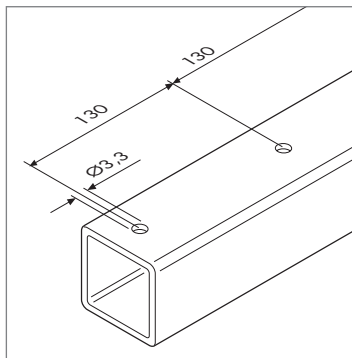


Fig. 3: drill 3.3Ø holes on the mount where the gasket will be secured (recommended pitch: 130 mm).

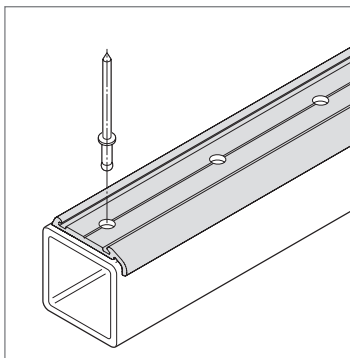


Fig. 4: secure the rigid section of the gasket using 3.2x8 rivets (on the profile) or 3.2x12 rivets (on joints, if any).

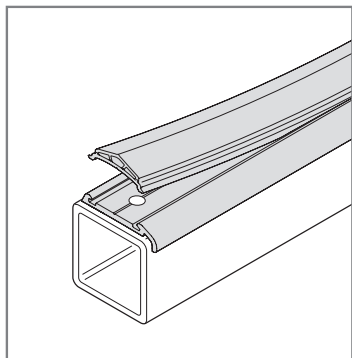


Fig. 5: fit the upper flexible part of the gasket on the rigid section, by pushing on the snap fitting.

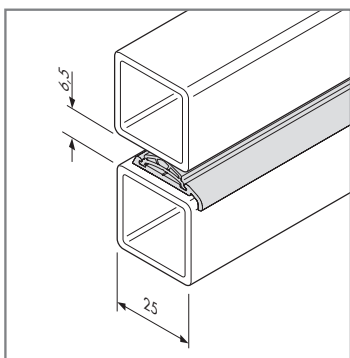
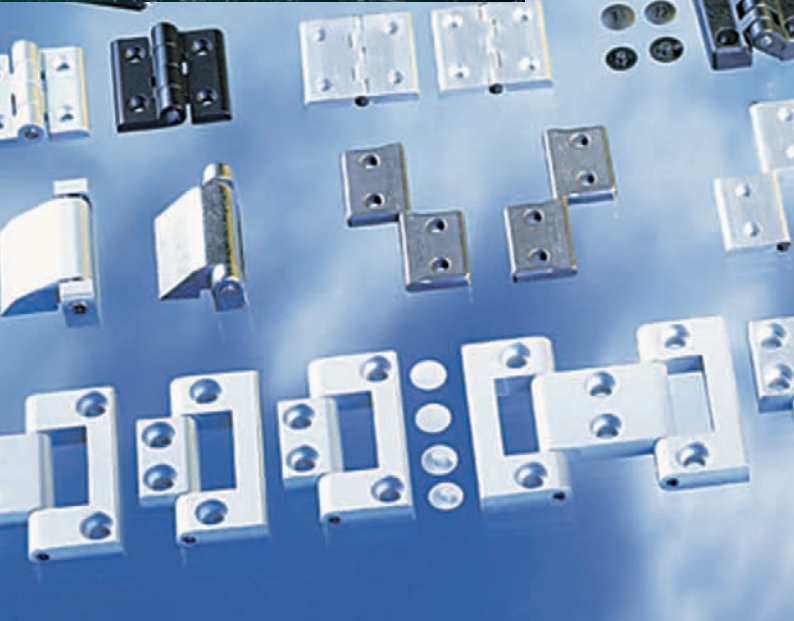


Fig. 6: the distance between the two tubes that compress the gasket must be 6.5 mm.



# Accessories for doors: Hinges

FOOD



PACK



In plastic

---

5 p.190



In aluminium

---

5 p.212



In stainless steel

---

5 p.220



## WARNINGS

Only the Italian version of this catalogue is to be understood as the original version. Bett Sistemi shall not be held liable for any translation or transcription errors. The information contained in this catalogue is exclusively meant for component description purposes and shall not be understood as a statement made by Bett Sistemi regarding a specific characteristic of the component or its suitability for a specific use. The data provided **shall not relieve the customers from their responsibility to evaluate, check and consequently use any and all components**. All information is based on the data available at the time of publishing and is not binding. Bett Sistemi shall not be held liable for any incomplete or wrong information, and for any damage which may arise in connection with such information. The products may be modified at any time without prior notice, **we therefore recommend that you always check the product updates on the website [www.bettsistemi.com](http://www.bettsistemi.com)**

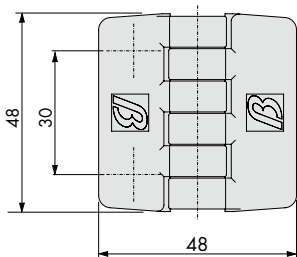
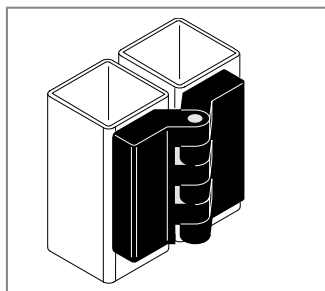
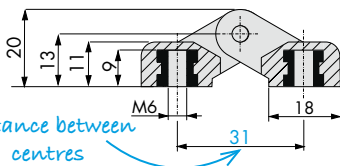
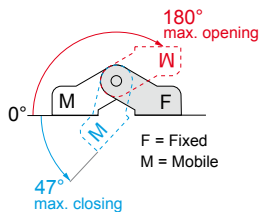
## 912 → For inside fastening



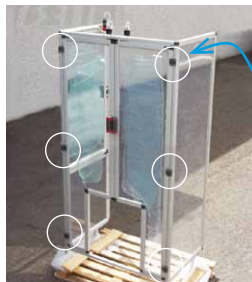
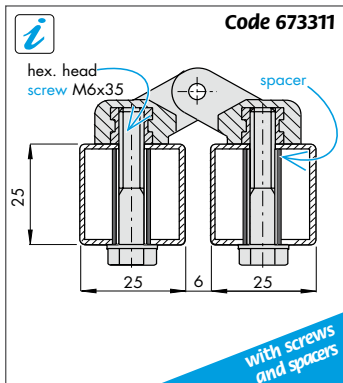
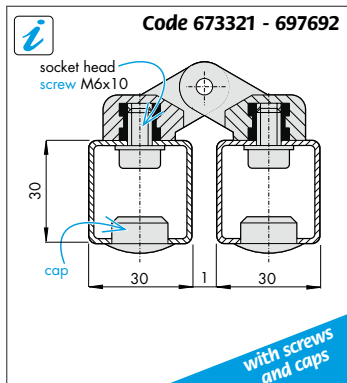
**Use:** where maximum accessibility is required and the screws may not be visible on the outside.

**Characteristics:** for commercial M6 socket head nuts and bolts.

**Material:** polyamide hinge, brass threaded bushings, steel pin and nuts and bolts.



↓ 912



### QUANTITY DISCOUNT

Qty	1+	6+	12+	24+
Discounts	-	-10%	-17%	on request

Code	Pack	Pin and nuts and bolts material	Colour	Weight	Stock	€
				g		piece
652392	12 pcs	stainless steel	black RAL9005	FOOD 38	✓	5.43
673321	12 pcs	stainless steel	black RAL9005	FOOD 42	✓	7.03
697692	12 pcs	galvanised	grey RAL7016	PACK 42	✓	5.91
673311	12 pcs	stainless steel	black RAL9005	FOOD 63	✓	7.03

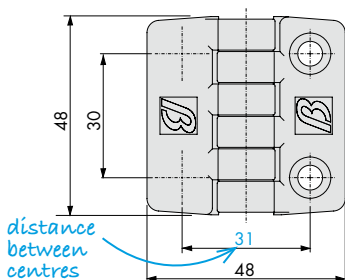
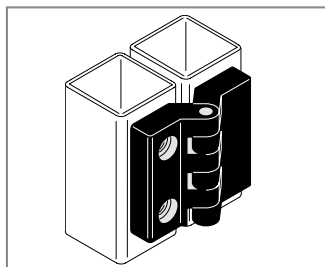
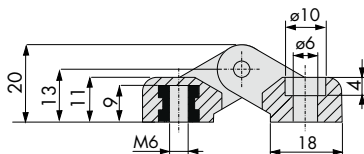
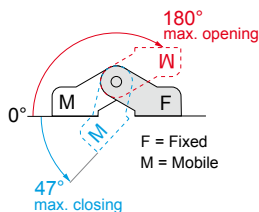
## 1160 → For **outside/inside** fastening



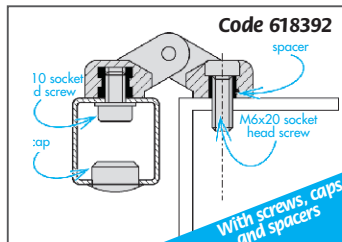
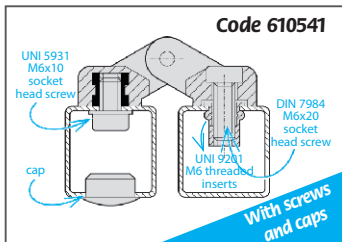
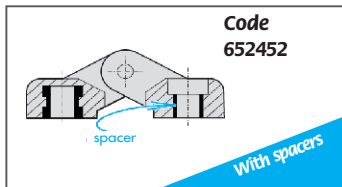
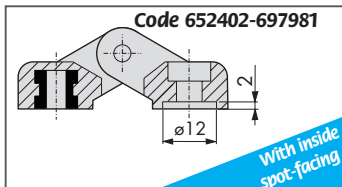
**Use:** when unambiguous identification of the part to be unscrewed is required for door removal.

**Characteristics:** for commercial M6 socket head nuts and bolts and provision for threaded tubular rivet in the versions with inside spot-facing.

**Material:** polyamide hinge, brass threaded bushings, steel pin and nuts and bolts.



↓ 1160



### QUANTITY DISCOUNT

Qty	1+	6+	12+	24+
Discounts	-	-10%	-17%	on request

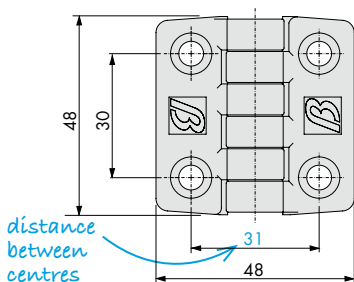
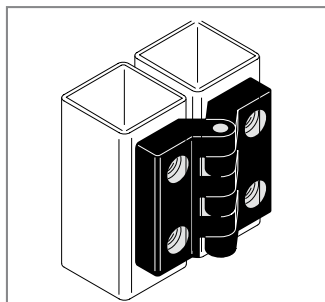
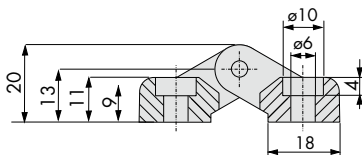
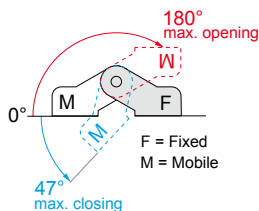
Code	Pack	Pin/nuts and bolts material	Colour	Weight	Stock	€
				g		piece
652482	12 pcs	stainless steel	black RAL9005	FOOD 38	■	5.00
652402	12 pcs	stainless steel	black RAL9005	FOOD 38	✓	5.19
697981	12 pcs	galvanised	grey RAL7016	PACK 38	✓	5.19
652452	12 pcs	stainless steel	black RAL9005	FOOD 38	✓	5.05
610541	12 pcs	stainless steel	black RAL9005	FOOD 63	✓	9.08
618392	12 pcs	stainless steel	black RAL9005	FOOD 55	✓	9.08

■ Products not in stock minimum order: 300 pieces, delivery in 15 days.

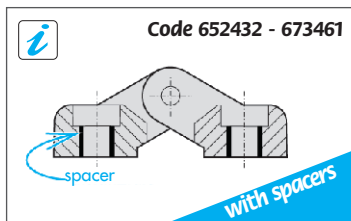
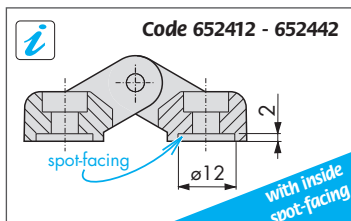
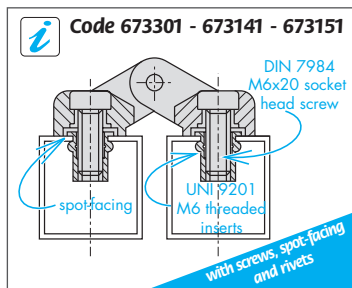
## 1287 → For **outside** fastening



**Use:** use to fasten the hinge to a tube with a thickness of less than 2 mm. 180° opening.  
**Characteristics:** for commercial M6 socket head nuts and bolts with provision for threaded tubular rivet in the versions with inside spot-facing.  
**Material:** polyamide hinge, pin in stainless steel AISI 303.



↓ 1287



**QUANTITY DISCOUNT**

Qty	1+	6+	12+	24+
Discounts	-	-10%	-17%	on request

Code	Pack	Pin material	Colour	Weight	Stock	€
				g		piece
652422	12 pcs	stainless steel	black RAL9005	FOOD 30	■	3.97
652412	12 pcs	stainless steel	black RAL9005	FOOD 30	✓	4.94
652442	12 pcs	galvanised	black RAL9005	PACK 30	✓	4.94
652432	12 pcs	stainless steel	black RAL9005	FOOD 30	■	4.94
673461	12 pcs	galvanised	black RAL9005	PACK 30	✓	4.76
673301	12 pcs	stainless steel	black RAL9005	FOOD 38	✓	10.24
673141	12 pcs	galvanised	black RAL9005	PACK 54	✓	4.94
673151	12 pcs	galvanised	grey RAL7016	PACK 54	✓	4.94

■ Products not in stock minimum order: 300 pieces, delivery in 15 days

## 2865 A 90° for outside/inside fastening for glass panels

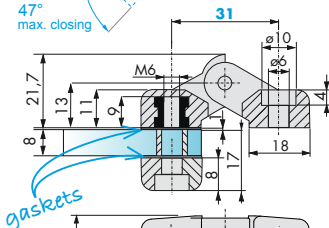
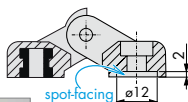
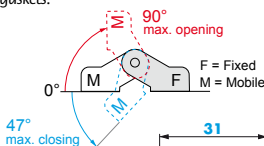


**Use:** for fastening 8mm thick glass panes to a less than 2mm thick tube, when the opening must not exceed 90° for space reasons or due to possible collision with other panels.

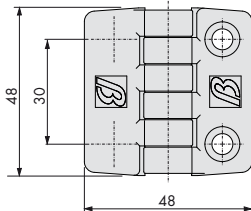
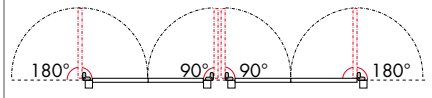
**Characteristics:** for commercial M6 socket head nuts and bolts with provision for tubular threaded rivet.

**Material** polyamide hinge and striker plate, brass threaded bushings, thermoplastic rubber gaskets, steel pin and nuts and bolts.

**State of supply** hinge complete with striker plate, 4 DIN 7984 M6x20 screws, 2 brass threaded bushings, 2 gaskets.



**i** Fitting on a double swing door on the central leaves prevents the possibility of collision (thanks to the hinge end-stop).



### QUANTITY DISCOUNT

Qty	1+	6+	12+	24+
Discounts	-	-10%	-17%	on request

Code	Pack	Material	Colour	Weight	Stock	€
689855	12 pcs	AISI 303 stainless steel	grey RAL7016	52 g	✓	8.92

# 1414 90° for inside fastening

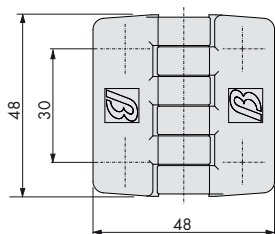
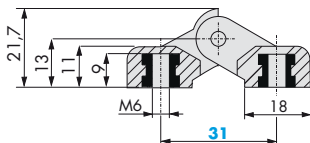
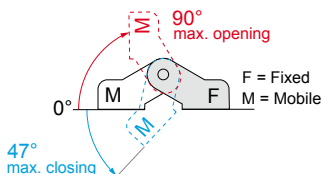


**Use:** for panel or shelf fastening, if the opening must not exceed 90°.

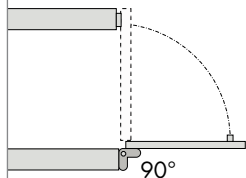
**Characteristics:** for commercial M6 socket head nuts and bolts with provision for threaded tubular rivet in the versions with inside spot-facing.

**Material** polyamide hinge, brass threaded bushings, steel pin.

**State of supply** hinge complete with 4 M6 brass threaded bushings.



Possibility of embedded fitting for foldaway support shelves



**QUANTITY DISCOUNT**

Qty	1+	6+	12+	24+
Discounts	-	-10%	-17%	on request

Code	Pack	Material pin	Colour hinge	Weight g	Stock	€ piece
618662	12 pcs	galvanised	black RAL9005	45	✓	4.60

## 4127 A 90° for outside/inside fastening

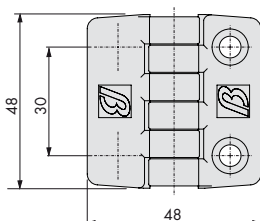
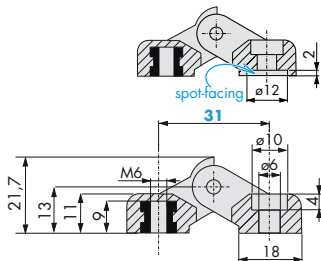
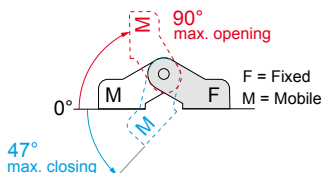


**Use:** for panel or shelf fastening, if the opening must not exceed 90°.

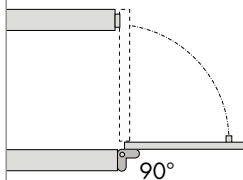
**Characteristics:** for commercial M6 socket head nuts and bolts with provision for tubular threaded rivet.

**Material:** polyamide hinge, brass threaded bushings, steel pin.

**State of supply:** hinge complete with 2 M6 brass threaded bushings.



Possibility of embedded fitting for foldaway support shelves



### QUANTITY DISCOUNT

Qty	1+	6+	12+	24+
Discounts	-	-10%	-17%	on request

Code	Pack	Material	Colour	Weight	Stock	€
		pin	hinge	g		piece
690787	12 pcs	AISI 303 stainless steel	black RAL9005	<b>FOOD</b> 34	✓	4.88

1409

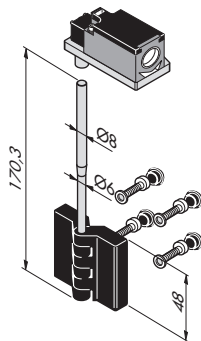
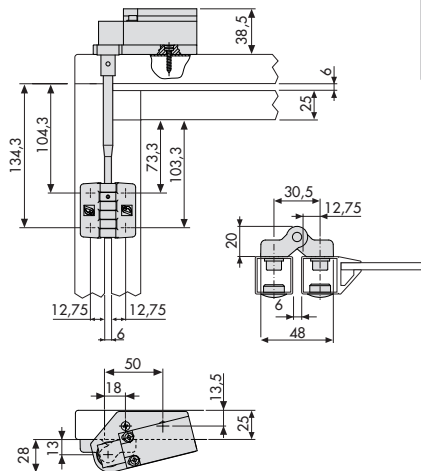
# With **safety** switch

**Use:** applicable both on stainless as well as aluminium tubes when a safety switch is required.

**Material:** reinforced polyamide hinge, stainless steel pin, switch nylon mount, stainless steel nuts and bolts, polyethylene end caps, safety switch in thermoplastic material.

**Notes:** for further information on the product, please request the relative technical manual sheet.

**State of supply:** hinge complete with  $\varnothing 8 \times 170$  pin, switch mount, Bernstein 188-U12 AHDB safety switch,  $180^\circ$ , 1  $3 \times 14$  elastic pin, 4 M6x10 socket head screws, 4 M6 washers, 4 end caps, 2  $3.9 \times 19$  self-threading screws, 2 M4x10 socket head screws, 2 M4x25 socket head screws, 2 M4 washers, 1  $3.5 \times 12$  elastic pin.



### QUANTITY DISCOUNT

Q.ty Discounts	1+	2+	4+	8+
	-	-10%	-17%	on request

Order code	Pack	Opening direction	Switch contacts	Colour hinge	Line	Weight g	Stock	€ piece
618352	2 pcs	right	1N.C.-1N.O	black RAL9005	FOOD	249	■	63,12
618362	2 pcs	left	1N.C.-1N.O	black RAL9005	FOOD	249	■	63,12
631112	2 pcs	right	1N.C.-1N.O	grey RAL7016	PACK	249	✓	63,12
631122	2 pcs	left	1N.C.-1N.O	grey RAL7016	PACK	249	✓	63,12

• Products not in stock minimum order: 2 pieces, delivery in 10 days

## 1800 With **safety** switch



**Use:** applicable both on stainless as well as aluminium tubes when a safety switch is required.

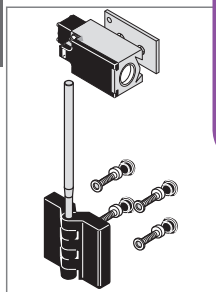
**Material** Reinforced polyamide hinge, stainless steel pin, switch nylon mount, stainless steel nuts and bolts, polyethylene end caps, safety switch in thermoplastic material.

**State of supply** hinge complete with 8x131.5 ø pin, switch mount, Bernstein 188-U1Z AHDB safety switch, 180°, 1 3x14 elastic pin, 4 M6x10 socket head screws, 4 M6 washers, 4 end caps, 2 M4x10 hex. countersunk head screws, 2 M4x25 socket head screws, 2 M4 washers, 1 3.5x12 elastic pin.

**Note** for further information on the product, please request the relative technical manual sheet.

**THIS PRODUCT  
HAS BEEN UPDATED!**

Download the  
Web Novelties



### QUANTITY DISCOUNT

Qty	1+	2+	4+	8+
Discounts	-	-10%	-17%	on request

Code	Pack	Opening direction	Actuator	Colour hinge	Weight g	Stock	€ piece
698152	2 pcs	right	1 N.C. - 1 N.O.	black RAL9005	<b>FOOD</b> 240	■	61.58
698162	2 pcs	left	1 N.C. - 1 N.O.	black RAL9005	<b>FOOD</b> 240	■	61.58
698182	2 pcs	right	1 N.C. - 1 N.O.	grey RAL7016	<b>PACK</b> 240	✓	61.58
698172	2 pcs	left	1 N.C. - 1 N.O.	grey RAL7016	<b>PACK</b> 240	✓	61.58

■ **Products not in stock** minimum order: 2 pieces, delivery in 10 days

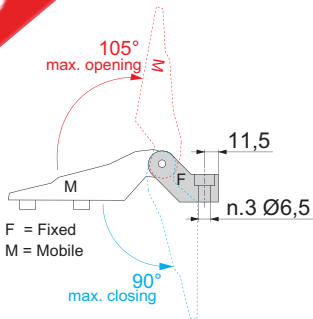
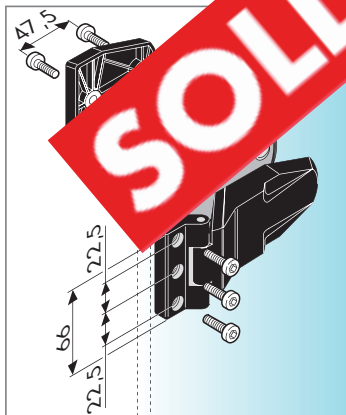
1669 For **inside** fastening for glass doors



**Use:** used for large self-supporting glass doors (without external framework) with a thickness of up to 10 mm (the hinge is fastened directly on the glass). Maximum screw tightening torque: 10 Nm

**Material:** reinforced polyamide, stainless steel pin, soft PVC gasket, stainless steel nuts and bolts.

**State of supply:** ...  
 ... plate, 3 M6 ...  
 the door ... head ...  
 screws ... between the ...  
 hinge ... prevent the ... touching the ...



**QUANTITY DISCOUNT**

Qty	1+	2+	4+	8+
Discounts	-	-10%	-17%	on request

Code	Pack	Colour	Weight	Stock	€
665972	4 pcs	black RAL9005	g 220	✓	piece 40.77

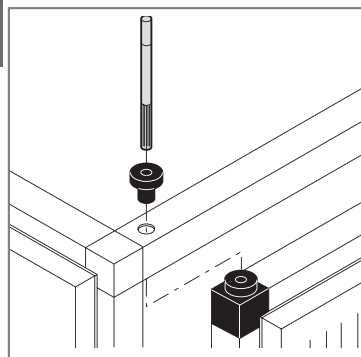
# 1108 90° kit for swing doors



**Use:** for doors incorporated in the structure. The doors remain flush with the entire construction and can easily be fitted and removed. 90° opening.

**Material** joint with prefitted bushing in reinforced thermoplastic material with steel core; AISI 303 stainless steel pin; mounting bushing in reinforced polyamide.

**State of supply** joint with prefitted bushing, pin, bushing.

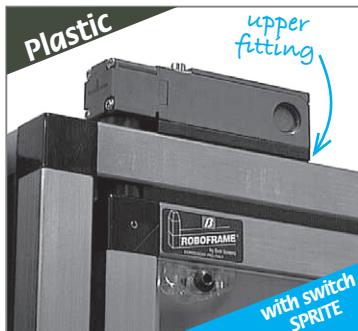


**QUANTITY DISCOUNT**

Qty	1+	6+	12+	24+
Discounts	-	-10%	-17%	on request

Code	Pack	Colour	Weight	Stock	€
62746	12 pcs	black RAL9005	g 130	✓	piece 11.24

## 1151 With safety switch

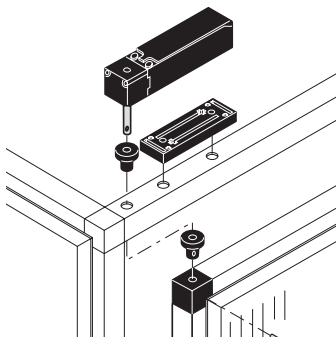
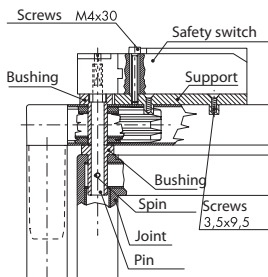


**Use:** can be fitted on both stainless steel and aluminium tubes when the hinge needs to activate a safety switch.

**Material** joint in thermoplastic material with steel core; polyethylene bushings; Weighted Nylon safety switch support; pins, nuts and bolts in stainless steel AISI 304; Plastic safety switch.

**State of supply** 1 SPRITE safety switch complete with pre-fitted pin; 1 mount, 2 bushings, 1 joint, 1 elastic pin, 2 M4x30 socket head screws, 2 3.5x9.5 screws.

**Note** for further information on the product, please request the relative technical manual sheet.



## QUANTITY DISCOUNT

Qty	1+	2+	4+	8+
Discounts	-	-10%	-17%	on request

Code	Pack	Actuator	Colour hinge	Weight g	Stock	€ piece
615394	2 pcs	2 N.C.	black RAL9005	240	✓	83.79

## 1646 90° kit for swing doors

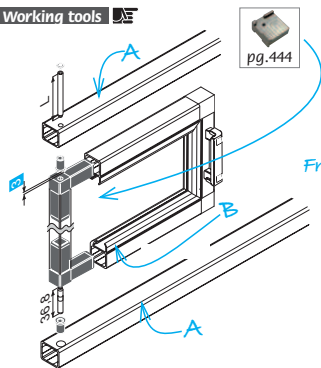


Use: for doors incorporated in the framework. The doors remain flush with the entire construction and can easily be fitted and removed. They feature a 90° opening only.

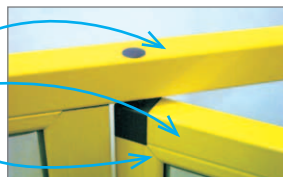
**Material** joints, bushings and screw caps in reinforced polyamide; galvanised steel pins; elastic pin in stainless steel.

**State of supply** 2 drilled joints (1 RH and 1 LH); 2 bushings, 1 screw cap, 2 pins, 1 3x24 elastic pin UNI 6873.

### Working tools



Framework  
A  
Door  
B  
Cut  
at 45°



### QUANTITY DISCOUNT

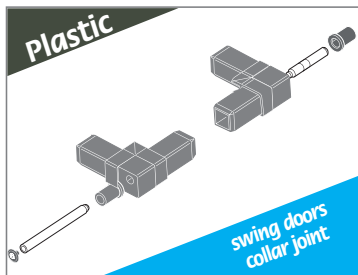
Qty	1+	6+	12+	24+
Discounts	-	-10%	-17%	on request

Code	Pack	Colour	Framework		Door		L mm	Weight g	Stock	€ piece
			A		B					
691692	12 pcs	RAL7016	Series 25 Part 1604	Series 25 Part 1604	Series 25 Part 1605	Series 25 Part 1605	47.7	100	✓	11.83
691682	12 pcs	RAL7039	Series 25 Part 1604	Series 25 Part 1604	Series 25 Part 1605	Series 25 Part 1605	47.7	100	✓	11.83
691672	12 pcs	RAL7016	Series 30 Part 1614	Series 30 Part 1614	Series 25 Part 1605	Series 25 Part 1605	52.7	104	✓	11.83
691662	12 pcs	RAL7039	Series 30 Part 1614	Series 30 Part 1614	Series 25 Part 1605	Series 25 Part 1605	52.7	104	▪	11.83
691427	12 pcs	RAL7016	Series 30 Part 1614	Series 30 Part 1614	Series 30 Part 1615	Series 30 Part 1615	62.7	108	▪	12.39
691437	12 pcs	RAL7039	Series 30 Part 1614	Series 30 Part 1614	Series 30 Part 1615	Series 30 Part 1615	62.7	108	▪	12.39

▪ Products not in stock minimum order: 12 pieces, delivery in 5 days

3227

90° kit for swing doors

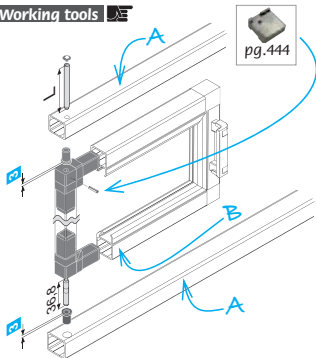


**Use:** for doors incorporated in the structure. The doors remain flush with the entire construction and can easily be fitted and removed. They feature a 90° opening only.

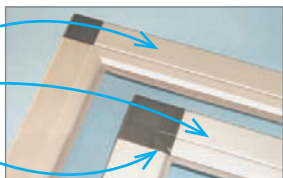
**Material** joints, bushings and screw caps in reinforced polyamide; galvanised steel pins; elastic pin in stainless steel.

**State of supply** 2 drilled joints (1 RH and 1 LH); 2 bushings, 1 screw cap, 2 pins, 1 elastic pin UNI 6873.

Working tools



Framework A  
Door B  
Cut at 90°



QUANTITY DISCOUNT

Qty	1+	6+	12+	24+
Discounts	-	-10%	-17%	on request

Code	Pack	Colour	Framework		Door		L mm	Weight g	Stock	€ piece
			A		B					
654315	12 pcs	RAL7016	Series 25	Part 1604	Series 25	Part 1605	47.7	100	✓	14.42
654325	12 pcs	RAL7039	Series 25	Part 1604	Series 25	Part 1605	47.7	100	■	14.42
654335	12 pcs	RAL7016	Series 30	Part 1614	Series 25	Part 1605	52.7	104	✓	14.42
664635	12 pcs	RAL7039	Series 30	Part 1614	Series 25	Part 1605	52.7	104	■	14.42
691497	12 pcs	RAL7016	Series 30	Part 1614	Series 30	Part 1615	62.7	108	■	14.96
691507	12 pcs	RAL7039	Series 30	Part 1614	Series 30	Part 1615	62.7	108	■	14.96

■ Products not in stock minimum order: 12 pieces, delivery in 5 days

## 1646 90° kit for folding doors

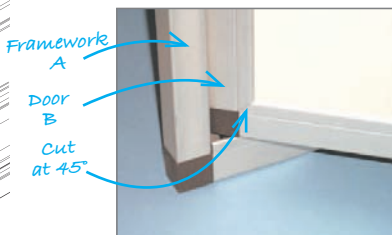
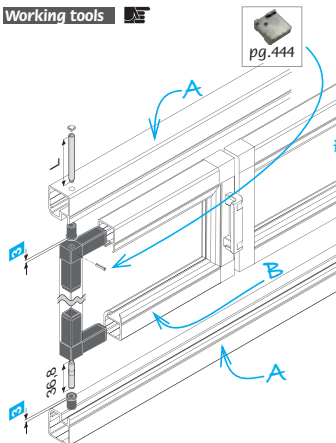


**Use:** for doors incorporated in the structure. The doors remain flush with the entire construction and can easily be fitted and removed. They feature a 90° opening only.

**Material:** joints, bushings and screw caps in reinforced polyamide; galvanised steel pins; elastic pin in stainless steel.

**State of supply:** 2 drilled joints (1 RH and 1 LH); 2 bushings, 1 screw cap, 2 pins, 1 elastic pin UNI 6873.

**Working tools**



### QUANTITY DISCOUNT

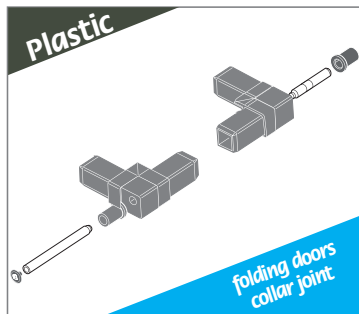
Qty	1+	6+	12+	24+
Discounts	-	-10%	-17%	on request

Code	Pack	Colour	Framework	Door	L	Weight	Stock	€
			A	B	mm	g		piece
676412	12 pcs	RAL7016	Series 30 Part 1619	Series 25 Part 1605	62.7	108	✓	11.83
676402	12 pcs	RAL7039	Series 30 Part 1619	Series 25 Part 1605	62.7	108	✓	11.83

PACK

3227

## 90° kit for folding doors

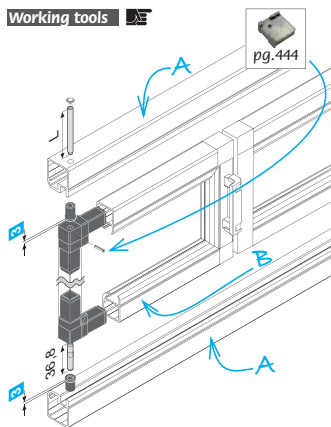


**Use:** for doors incorporated in the structure. The doors remain flush with the entire construction and can easily be fitted and removed. They feature a 90° opening only.

**Material** joints, bushings and screw caps in reinforced polyamide; galvanised steel pins; elastic pin in stainless steel.

**State of supply** 2 drilled joints (1 RH and 1 LH); 2 bushings, 1 screw cap, 2 pins, 1 elastic pin UNI 6873.

Working tools



Framework

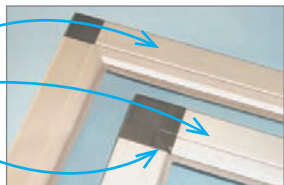
A

Door

B

Cut

at 90°



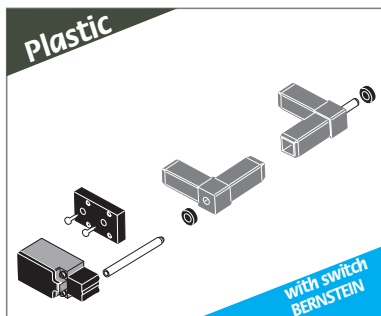
## QUANTITY DISCOUNT

Qty	1+	6+	12+	24+
Discounts	-	-10%	-17%	on request

Code	Pack	Colour	Framework	Door	L	Weight	Stock	€
			A	B	mm	g		piece
664645	12 pcs	RAL7016	Series 30 Part 1619	Series 25 Part 1605	62.7	108	■	14.42
664655	12 pcs	RAL7039	Series 30 Part 1619	Series 25 Part 1605	62.7	108	■	14.42

■ Products not in stock minimum order: 48 pieces, delivery in 10 days

## 1850 90° kit with safety switch



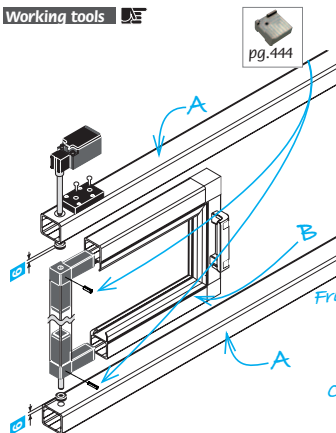
**Material** reinforced polyamide joints, galvanised steel pins, nylon switch mount, thermoplastic safety switch, polyethylene mounting bushings.

**State of supply** hinge complete with 1 switch mount, 1 Bernstein I88-U12 AHDB safety switch; 1 3x24 ø elastic pin, 1 3.5x12 ø elastic pin, 2 3.9x19 self-threading, pan head screws; 2 M4x25 socket head screws, 2 M4 washers, 2 mounting bushings, 2 8x63 ø pins; 2 drilled joints type A.

**Characteristics** actuator: 1 N.C. - 1 N.O.

**Note** for further information on the product, please request the relative technical manual sheet.

### Working tools



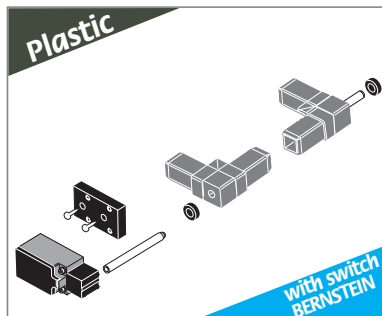
### QUANTITY DISCOUNT

Qty	1+	2+	4+	8+
Discounts	-	-10%	-17%	on request

Code	Pack	Colour	Framework	Door	Weight	Stock	€
611573	2 pcs	RAL7016	Series 30 Part 1614	Series 25 Part 1605	280 g	✓	66.66 piece

PACK

## 3247 90° kit with safety switch



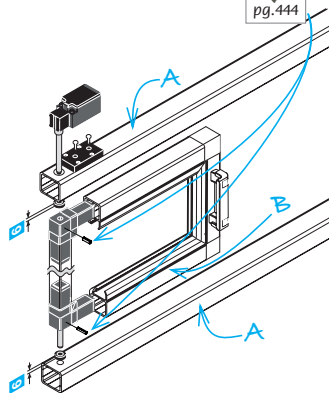
**Material** reinforced polyamide joints, galvanised steel pins, nylon switch mount, thermoplastic safety switch, polyethylene mounting bushings.

**State of supply** hinge complete with 1 switch mount, 1 Bernstein I88-U1Z AHDB safety switch, 1 3x24 Ø elastic pin, 1 3.5x12 Ø elastic pin, 2 3.9x19 self-threading, pan head screws; 2 M4x25 socket head screws, 2 M4 washers, 2 mounting bushings, 2 8x63 Ø pins; 2 drilled joints type A.

**Characteristics** actuator: 1 N.C. - 1 N.O.

**Note** for further information on the product, please request the relative technical manual sheet.

**Working tools** 



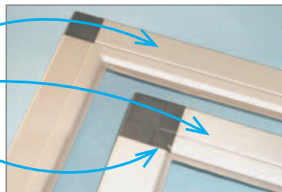
Framework

A

Door

B

Cut at 90°

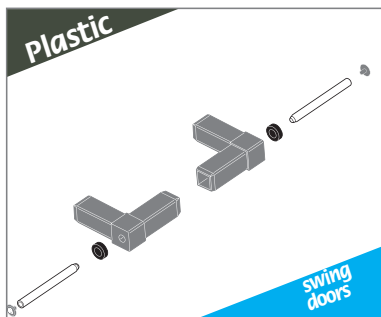


## QUANTITY DISCOUNT

Qty	1+	2+	4+	8+
Discounts	-	-10%	-17%	on request

Code	Pack	Colour	Framework	Door	Weight	Stock	€
			A	B	g		piece
664685	2 pcs	RAL7016	Series 30 Part 1614	Series 25 Part 1605	260	✓	72.57

## 1854 90° kit for swing doors

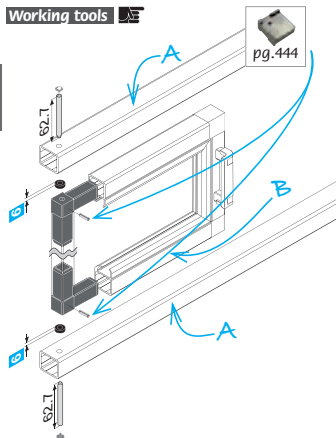


**Use:** for doors incorporated in the structure. The doors remain flush with the entire construction and can easily be fitted and removed. They feature a 90° opening only.

**Material** reinforced polyamide joints and screw caps; galvanised steel pins; polyethylene spacer ring; elastic pins in stainless steel.

**State of supply** 2 drilled joints (1 RH and 1 LH); 2 spacers; 2 caps; 2 pins, 2 3x30 elastic pins, UNI 6873.

Working tools



Framework  
A  
Door  
B  
Cut  
at 45°



### QUANTITY DISCOUNT

Qty	1+	6+	12+	24+
Discounts	-	-10%	-17%	on request

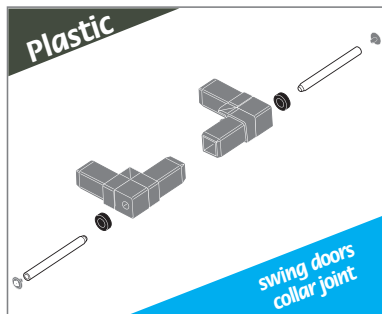
Code	Pack	Colour	Framework		Door		Weight g	Stock	€ piece
			A	B	A	B			
611693	12 pcs	RAL7016	Series 30 Part 1614	Series 25 Part 1605	112	✓	11.83		
691517	12 pcs	RAL7016	Series 30 Part 1614	Series 30 Part 1614	116	■	12.39		

■ Products not in stock minimum order: 12 pieces, delivery in 10 days

PACK

3237

## 90° kit for swing doors

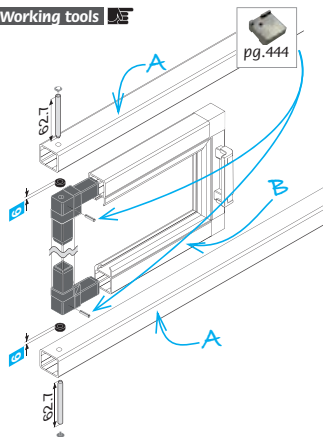


**Use:** for doors incorporated in the structure. The doors remain flush with the entire construction and can easily be fitted and removed. They feature a 90° opening only.

**Material** reinforced polyamide joints and screw caps; galvanised steel pins; polyethylene spacer ring; elastic pins in stainless steel.

**State of supply** 2 drilled joints (1 RH and 1 LH); 2 spacers; 2 caps; 2 pins, 2 3x30 elastic pins, UNI 6873.

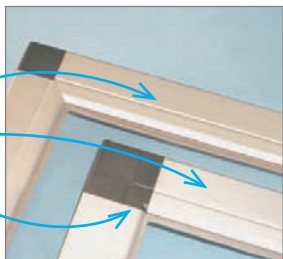
## Working tools



Framework A

Door B

Cut at 90°



## QUANTITY DISCOUNT

Qty	1+	6+	12+	24+
Discounts	-	-10%	-17%	on request

Code	Pack	Colour	Framework	Door	Weight	Stock	€
			A	B	g		piece
664665	12 pcs	RAL7016	Series 30 Part 1614	Series 25 Part 1605	112	✓	14.42
691527	12 pcs	RAL7016	Series 30 Part 1614	Series 30 Part 1614	116	■	14.96

■ Products not in stock minimum order: 12 pieces, delivery in 10 days

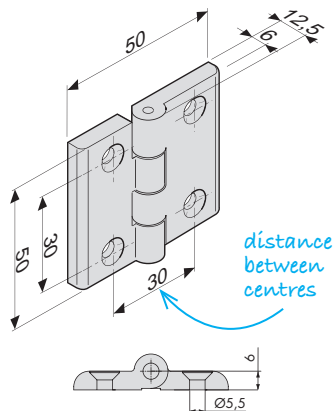
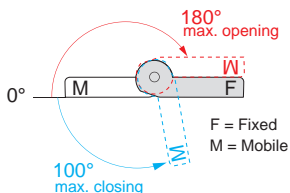
## 1645 For **outside** fastening



**Use:** small and very lightweight doors.

**Characteristics:** provision for UNI 5933 M5 countersunk head screws.

**Material:** anodised aluminium hinge, AISI 303 stainless steel pin.



### QUANTITY DISCOUNT

Qty	1+	12+	24+	48+
Discounts	-	-10%	-17%	on request

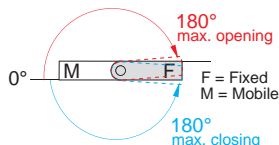
Code	Pack	Finish	Weight	Stock	€
676302	24 pcs	anodised	g 60	✓	piece 5.18

PACK

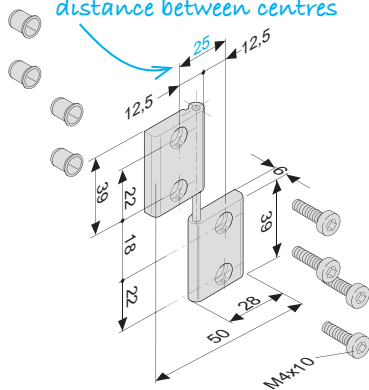
## 1423 For outside fastening for folding doors



Use: for folding doors.

**Material** anodised aluminium hinge, stainless steel cylindrical pin, brass anti-friction washer.**State of supply** complete with 2 half-hinges, 1 cylindrical pin; 1 spacer washer, 2 elastic pins, 4 M4 threaded inserts, 4 M4x10 socket head screws, UNI 5931.

distance between centres



## QUANTITY DISCOUNT

Qty	1+	6+	12+	24+
Discounts	-	-10%	-17%	on request

Code	Pack	Finish	Weight	Stock	€
			g		piece
652262	12 pcs	anodised	43	✓	5.70

## 1791 For outside fastening for folding doors

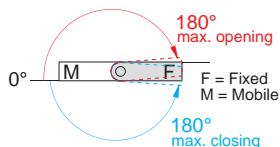
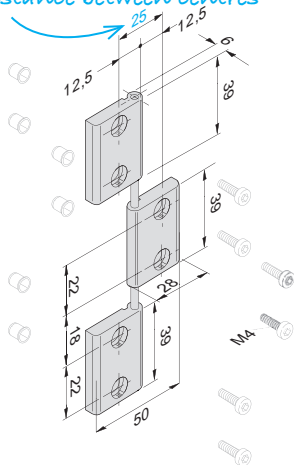


**Use:** for large folding doors, , ready for use with UNI 5931 M4 screws.

**Material** anodised aluminium hinge, stainless steel pin, brass anti-friction washer.

**State of supply** complete with 3 half-hinges, 1 pin; 2 spacer washers, 2 elastic pins.

distance between centres



### QUANTITY DISCOUNT

Qty	1+	6+	12+	24+
Discounts	-	-10%	-17%	on request

Code	Pack	Finish	Weight	Stock	€
			g		piece
697732	12 pcs	anodised	48	■	8.55

■ Products not in stock minimum order: 24 pieces, delivery in 10 days

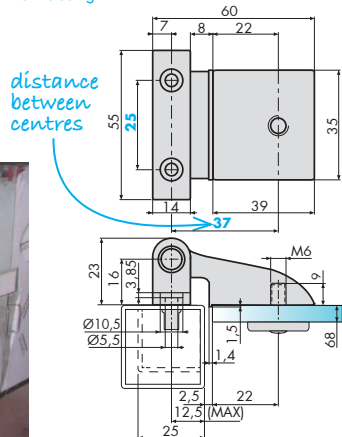
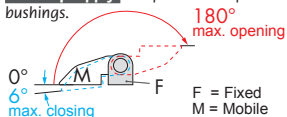
# 3344 Inside fastening



**Use:** for self-supporting **doors** (without external framework) made of 6-8 mm thick glass or 6-8 mm thick panels.

**Material** anodised aluminium hinge, galvanised steel pin, polyamide bushings.

**State of supply** complete with 1 pin and 2 bushings.



Code 607927 - 607937



**State of supply** complete with pin, 2 bushings, 2 M5x16 socket head screws, 1 M6x16 hexagon socket pan head screw, 2 M5 threaded inserts, 1 M6 washer and 1 under screw head washer.

**QUANTITY DISCOUNT**

Qty	1+	10	20+	40+
Discounts	-	-10%	-17%	on request

Code	Pack	Version	Material		Finish	Weight g	Stock	€ piece
			pin	nuts and bolts				
607857	20 pcs	without screws	galvanised	-	anodised	98	■	14.92
607867	20 pcs	without screws	galvanised	-	elox anodised	98	■	15.69
607927	20 pcs	with screws	galvanised	galvanised	anodised	115	■	16.15
607937	20 pcs	with screws	galvanised	galvanised	elox anodised	115	■	16.92

■ **Products not in stock** minimum order: 40 pieces, delivery in 15 days

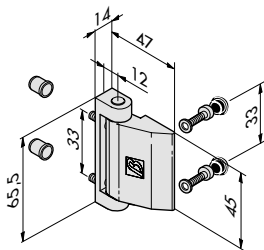
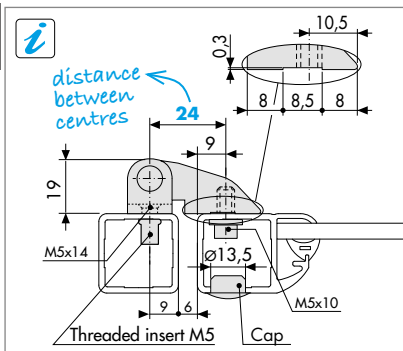
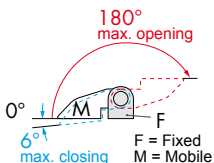
## 1453 → For inside fastening "U" type mount



**Use:** applicable on aluminium tubes.

**Material** anodised aluminium hinge, galvanised steel pin, polyamide bushings, galvanised steel nuts and bolts.

**State of supply** complete with 2 UNI 7688 M5x14 screws, 2 UNI 5931 M5x10 socket head screws, 2 bushings, 2 caps, 2 M5 threaded inserts, 2 washers for M5 screws.



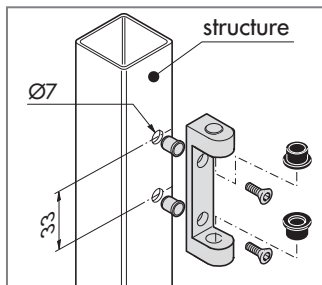
### QUANTITY DISCOUNT

Qty	1+	6+	12+	24+
Discounts	-	-10%	-17%	on request

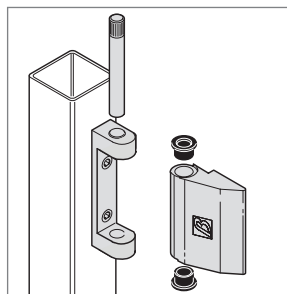
Code	Pack	Finish	Weight g	Stock	€ piece
625462	20 pcs	anodised	105	✓	8.66
611493	20 pcs	elox	105	✓	8.66

**Personalisations** versions without visible logo, minimum order 300 pieces, delivery 20 days (unless stock runs out).

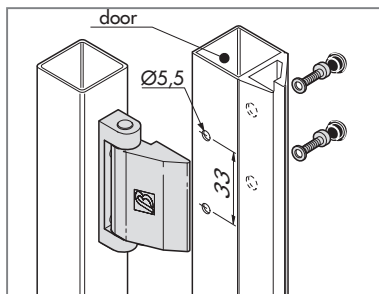
↓ 1453



Fit the U-mount on the structure tube using the M5x14 screws.

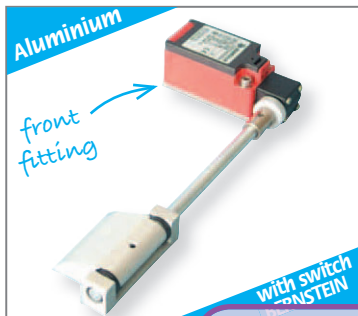


Fit the two bushings on the half-hinge and assemble it all on the U-mount using the pin.



Fasten the complete hinge to the door tube using the M5x10 cheese head screws with cap.

## 1802 → "U" type with safety switch



**Use:** it can be used on aluminium tubes when the hinge must activate a safety switch.

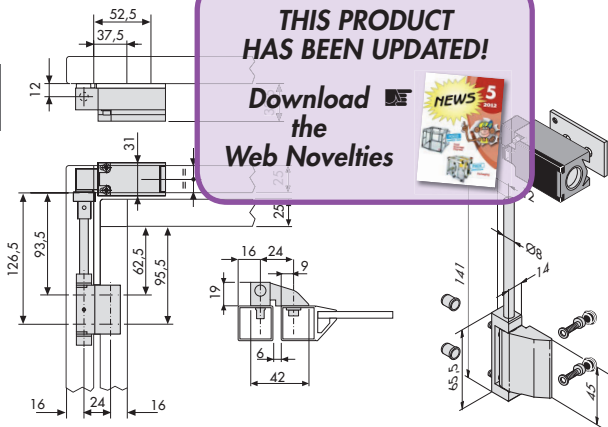
**Material** anodised aluminium hinge, galvanised steel pin, polyamide bushings, stainless steel screws, steel pin, stainless steel switch mount, safety switch in thermoplastic material.

**State of supply** hinge complete with 8x1410 pin, switch mount, 2 M5x14 hexagon socket countersunk head screws, 2 M5x10 socket head screws, 1 3x12 elastic pin, 2 M4x10 hex. socket countersunk head screws 2 M4 washers 2 M5 washers; 2 M4x25 socket head screws 4 bushings, Bernstein 188-U1Z AHDB safety switch.

**Note** for further information on the product, please request the relative technical manual sheet.

**THIS PRODUCT HAS BEEN UPDATED!**

Download the Web Novelties

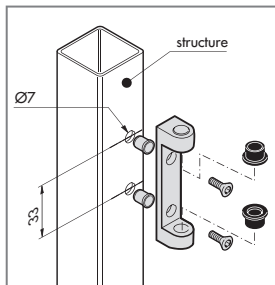


### QUANTITY DISCOUNT

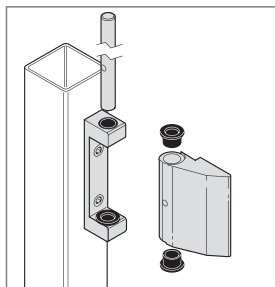
Qty	1+	2+	4+	8+
Discounts	-	-10%	-17%	on request

Code	Pack	Actuator	Finish hinge	Weight g	Stock	€ piece
698202	2 pcs	1 N.C. - 1 N.O.	anodised	248	✓	64.52

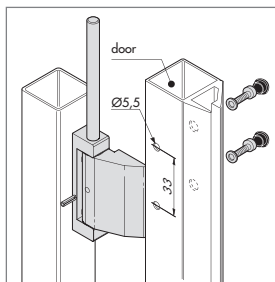
↓ 1802



Fit the M5 threaded inserts on the tube; Fit the two bushings on the U-mount, then fasten it on the tube of the structure using the M5x14 socket head screws.



Fit the two bushings on the half-hinge and assemble it all on the U-mount using the pin.



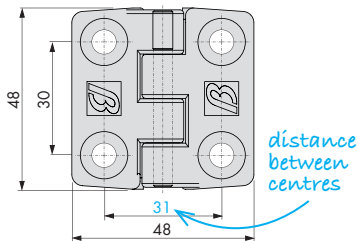
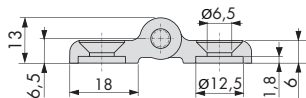
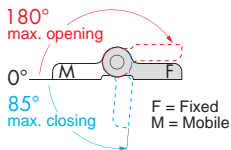
After fitting the pin, fasten it with the elastic pin to make pin rotation integral with the part of the hinge fastened on the door, then fasten the complete hinge to the door tube using the M5x10 socket head screws.

## 1877 For **outside** fastening



**Use:** Suitable for very heavy doors (glass buffer) or when electrical conductivity between the door and the framework is required.

**Material:** hinge in stainless steel AISI 316, pin in stainless steel AISI 303, stainless steel nuts and bolts.



### QUANTITY DISCOUNT

Qty	1+	5+	10+	20+
Discounts	-	-10%	-17%	on request

Code	Pack	Finish	Weight g	Stock	€ piece
641874	10 pcs	microball-blasting	128	✓	12.71
617583	10 pcs	microball-blasting	148	✓	13.15
641884	10 pcs	microball-blasting	162	✓	14.66

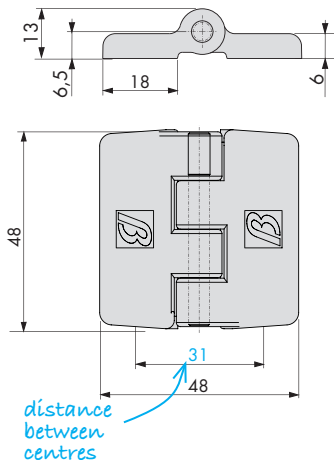
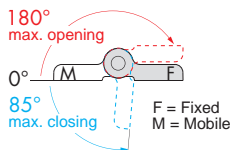
2442

Weldable



**Use:** Suitable for very heavy doors (glass buffer) or when electrical conductivity between the door and the framework is required.

**Material** hinge in stainless steel AISI 316, pin in stainless steel AISI 303.



## QUANTITY DISCOUNT

Qty	1+	5+	10+	20+
Discounts	-	-10%	-17%	on request

Code	Pack	Finish	Weight	Stock	€
			g		piece
673164	10 pcs	microball-blasting	134	✓	12.48

## 1152 → Embedded

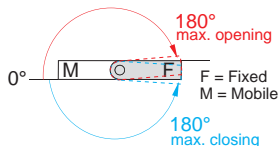


**Use:** for applications that require maximum rigidity and for heavy doors. It may be fitted on the outside or can be embedded.

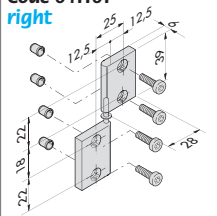
**Note:** if you fit a RH hinge (Part 641161) and a LH hinge (Part 641151) as a pair, the door cannot slip out (safety fitting); If fitting two RH hinges or two LH hinges as a pair, the door will slip out.

**Material:** hinge, pin, screws and threaded inserts in AISI 304 stainless steel, brass anti-friction washer.

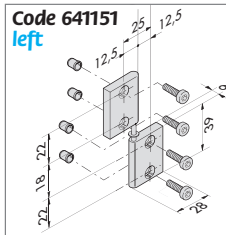
**State of supply:** complete with 1 pin; 4 M4x10 socket head screws and 4 threaded inserts, 1 anti-friction washer.



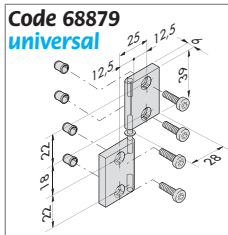
**Code 641161**  
right



**Code 641151**  
left



**Code 68879**  
universal



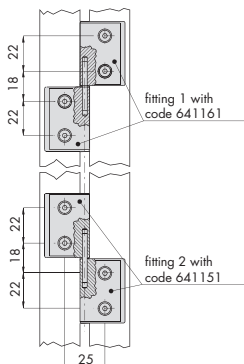
### QUANTITY DISCOUNT

Qty	1+	6+	12+	24+
Discounts	-	-10%	-17%	on request

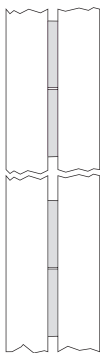
Code	Pack	Opening direction	Finish	Weight	Stock	€
641161	12 pcs	right	microball-blasting	g	✓	19.67
641151	12 pcs	left	microball-blasting	98	✓	19.67
68879	12 pcs	one-sided	microball-blasting	98	■	22.44

↓ 1152

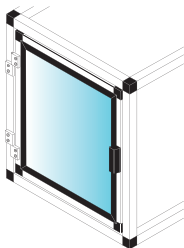
Door diagram  
with outside hinge  
(visible)



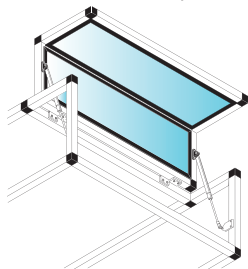
Door diagram  
with inside hinge  
(embedded)



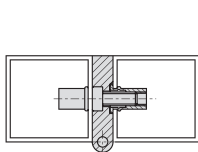
Visible hinge fitting



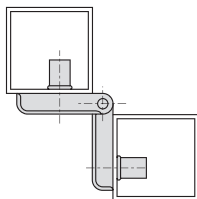
Embedded  
hinge  
fitting



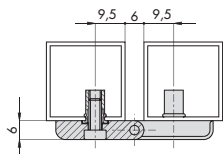
Hinge with embedded  
fitting on closed door



Hinge fitted on the outside – door open



Hinge fitted on the  
outside - door closed



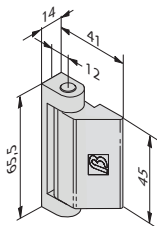
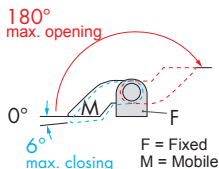
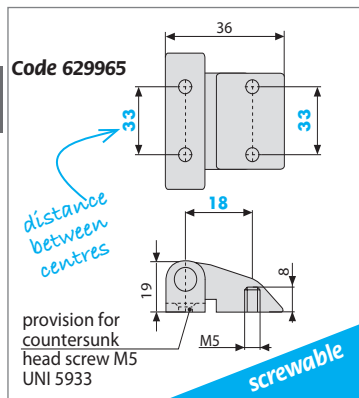
## 1472 → For **inside** fastening "U" mount



**use:** applicable on stainless steel tubes. The weldable version (Code 628882) allow very rigid and robust doors to be mounted. The hinges stay in position over time; they are particularly suitable for heavy doors. They can also be used for fastening fixed panels (removable only for extraordinary maintenance), so as to match with the aesthetic design of the other hinges: for this reason, the panels are removed by extracting the pin using a pin driver. This fitting ensures the guards are constructed in compliance with applicable safety regulations.

**Material** AISI 316 stainless steel half-hinges, AISI 303 stainless steel pin, 2 polyamide bushings.

**State of supply** complete with 2 anti-friction bushings.



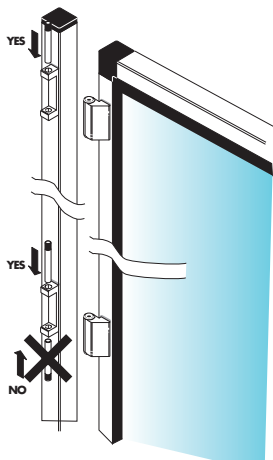
### QUANTITY DISCOUNT

Qty	1+	6+	12+	24+
Discounts	-	-10%	-17%	on request

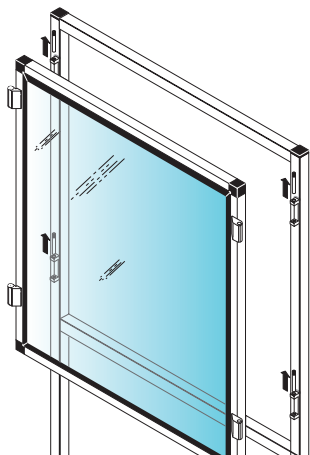
Code	Pack	Version	Material		Finish	Wt.	Stock	€
			pin	bushings				
629965	12 pcs	w/out nuts & bolts	stainless steel	polyamide	microball-blasting	160	▪	50.87
628882	12 pcs	w/out nuts & bolts	stainless steel	polyamide	microball-blasting	170	✓	33.75

▪ **Products not in stock** minimum order: 12 pieces, delivery in 10 days

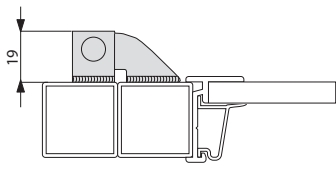
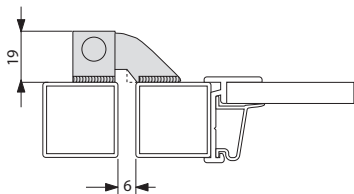
↓ 1472



It is advisable to fit the pins with the knurled side at the top, to prevent them from slipping out due to vibrations.

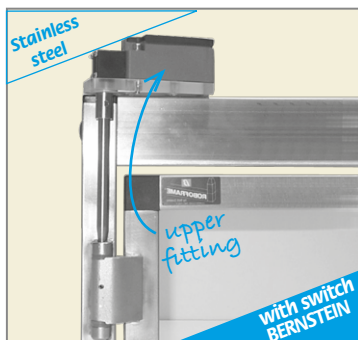


To remove a fixed panel, just remove the four pins.



If you want to maintain a standard clearance of 6 mm between the framework and the door, it is advisable - for aesthetic reasons - to remove the corner of the hinge. For assemblies that do not require any clearance, no machining operation is necessary.

## 1483 "U" type safety switch weldable

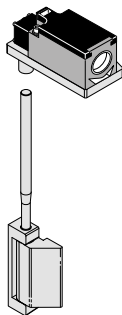
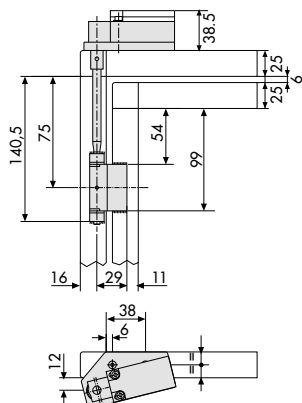


**Use:** welded (TIG welding) to the stainless steel tubes and used in combination with the hinges (Part 1472), they allow constructing doors that do not require safety switch activation.

**Material** half-hinges in AISI 316 stainless steel, pin in AISI 303 stainless steel, nylon switch support, polyamide bushings, Bernstein 188-U1Z AHDB 180° safety switch in thermoplastic material, nuts and bolts in stainless steel.

**State of supply** hinge complete with  $\varnothing 8 \times 170$  pin in stainless steel; switch mount; Bernstein 188-U1Z AHDB safety switch, 180°; 1 3x10 elastic pin and 1 3.5x12 elastic pin, 2 M4x10 socket head screws, 2 M4 washers, 2 M4x25 socket head screws in stainless steel.

**Note** for further information on the product, please request the relative technical manual sheet.



### QUANTITY DISCOUNT

Qty	1+	2+	4+	8+
Discounts	-	-10%	-17%	on request

Code	Pack	Opening direction	Actuator	Weight g	Stock	€ piece
631332	2 pcs	right	1 N.C. - 1 N.O.	166	■	91.20
631342	2 pcs	left	1 N.C. - 1 N.O.	166	■	91.20

■ Products not in stock minimum order: 2 pieces, delivery in 5 days

1801 "U" type safety switch **weldable**

**Use:** welded (TIG welding) to the stainless steel tubes and used in combination with the hinges (part 1472), they allow constructing doors that do not require safety switch activation.

**Material** half-hinges in AISI 316 stainless steel, pin in AISI 303 stainless steel, spacer plate in AISI 304 stainless steel, polyamide bushings, safety switch in thermoplastic material, nuts and bolts in stainless steel.

**Characteristics:** The switch head can be turned with respect to the body in order to construct doors with RH or LH opening sensors with the same order code.

**State of supply** hinge complete with  $\varnothing 8 \times 170$  pin; spacer plate; Bernstein 188-U1Z AHDB safety switch, 180°; 1 3x10 elastic pin and 1 3.5x12 elastic pin; 2 M4x10 socket head screws; 2 M4x12 counter-sunk head screws; 2 M4x25 socket head screws.

**Note** for further information on the product, please request the relative technical manual sheet.

## QUANTITY DISCOUNT

Qty	1+	2+	4+	8+
Discounts	-	-10%	-17%	on request

Code	Pack	Actuator	Weight	Stock	€
			g		piece
698192	2 pcs	1 N.C. - 1 N.O.	240	■	91.20

■ **Products not in stock** minimum order: 2 pieces, delivery in 5 days

## 2636 Weldable to the framework and glueable to the door

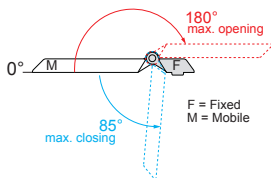
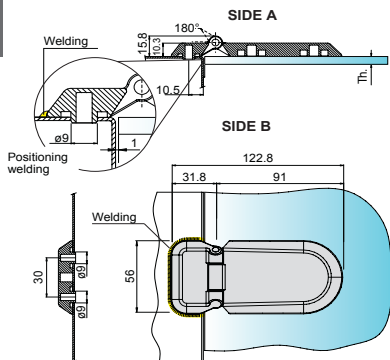


**Use:** for self-supporting doors (without external framework) made of glass or Plexiglas panels with a thickness of 4-8 mm.

**Material:** AISI316 stainless steel hinge and screws, AISI303 stainless steel pin, brass anti-friction washers.

**State of supply:** hinge complete with 2 M6x16 socket head screws in AISI316 steel.

**Gluing:** it is advisable to use black synthetic polymer-based glue (Flextec technology), applicable on glass and polycarbonate.



### QUANTITY DISCOUNT

Qty	1+	4+	8+	16+
Discounts	-	-10%	-17%	on request

Code	Pack	Application	Thickness	Finish	Weight	Stock	€
			mm		g		piece
690334	4 pcs	panel and glass	4-8	electropolishing	360	■	58.64

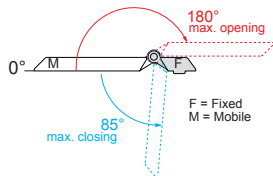
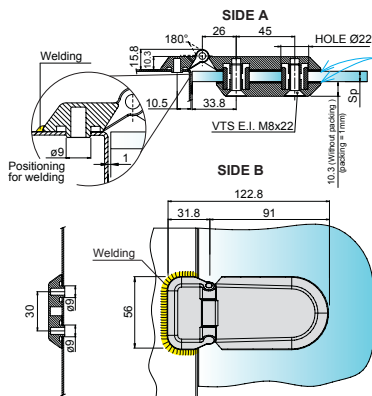
■ **Products not in stock** minimum order: 4 pieces, delivery in 15 days

2532 **A** Weldable with plate locking

**Use:** for **self-supporting** doors (without external framework, fastening directly on the glass/panel) made of glass with a thickness of **6-8 mm** or Plexiglas panels with a thickness of **8-10 mm**.

**Material:** AISI316 stainless steel hinge and plate, AISI303 stainless steel pin, AISI304 and AISI316 stainless steel screws, AISI303 stainless steel anti-friction washers, black polyethylene bushings and PVC gaskets (if provided).

**State of supply:** hinge complete with 2 M8x22 hexagon socket countersunk head screws in AISI304 stainless steel and 2 M6x16 socket head screws in AISI316 stainless steel; Only for the glass version: 2 bushings and 2 gaskets, 1 mm thick.



## QUANTITY DISCOUNT

Qty	1+	4+	8+	16+
Discounts	-	-10%	-17%	on request

Code	Pack	Application	Thickness	Finish	Weight	Stock	€
							piece
626645	4 pcs	panel	8-10	microball-blasting	650	■	90.95
626655	4 pcs	glass	6-8	microball-blasting	650	■	94.24

■ **Products not in stock** minimum order: 4 pieces, delivery in 15 days

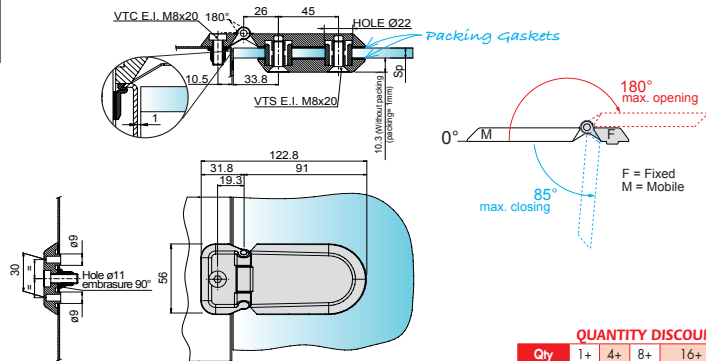
## 2532 **G** Screwable with plate locking



**Use:** for **self-supporting** doors (without external framework) made of **4-6 mm** thick glass or Plexiglas panels with a thickness of **6-8 mm**.

**Material:** AISI316 stainless steel hinge and plate, AISI303 stainless steel pin, AISI304 stainless steel screws, AISI303 stainless steel anti-friction washers, black polyethylene bushings and PVC gaskets (if provided).

**State of supply:** hinge complete with 2 M8x20 hexagon socket countersunk head screws and 1 M8x20 socket head screw in AISI304 stainless steel; Only for the glass version: 2 bushings and 2 gaskets, 1mm thick.



### QUANTITY DISCOUNT

Qty	1+	4+	8+	16+
Discounts	-	-10%	-17%	on request

Code	Pack	Application	Thickness	Finish	Weight	Stock	€
							mm
626495	4 pcs	panel	6-8	microball-blasting	650	■	91.95
690314	4 pcs	glass	4-6	microball-blasting	650	■	95.24

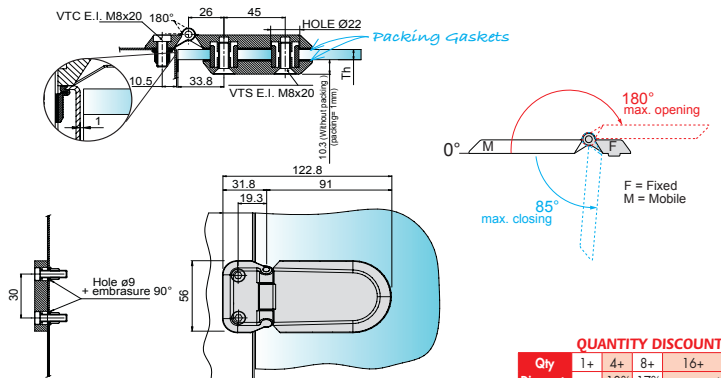
■ **Products not in stock** minimum order: 4 pieces, delivery in 10 days

2532 **L** Screwable with plate locking

**Use:** for **self-supporting** doors (without external framework) made of **4-6 mm** thick glass or Plexiglas panels with a thickness of **6-8 mm**.

**Material** AISI316 stainless steel hinge and plate, AISI303 stainless steel pin, AISI304 stainless steel screws, AISI303 stainless steel anti-friction washers, black polyethylene bushings and PVC gaskets (if provided).

**State of supply** hinge complete with 2 M8x20 hexagon socket countersunk head screws and 2 M8x20 socket head screws in AISI304 stainless steel; Only for the glass version: 2 bushings 2 gaskets, 1 mm thick.



## QUANTITY DISCOUNT

Qty	1+	4+	8+	16+
Discounts	-	-10%	-17%	on request

Code	Pack	Application	Thickness	Finish	Weight	Stock	€
							mm
653805	4 pcs	panel	6-8	microball-blasting	650	■	92.95
629925	4 pcs	glass	4-6	microball-blasting	650	■	96.24

■ **Products not in stock** minimum order: 4 pieces, delivery in 10 days

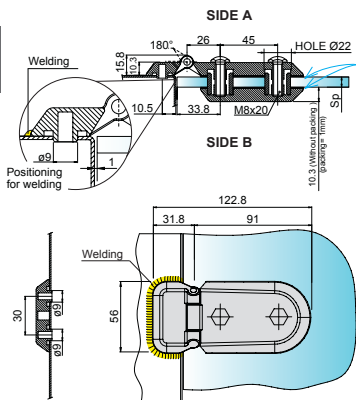
## 2532 **F** Weldable with plate locking



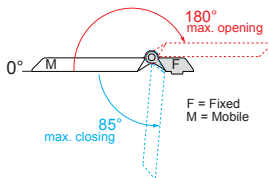
**Use:** for **self-supporting** doors (without external framework) made of **4-6 mm** thick glass or Plexiglas panels with a thickness of **6-8 mm**.

**Material:** AISI316 stainless steel hinge and plate, AISI304 stainless steel pin and screws, AISI303 stainless steel anti-friction washers, black polyethylene bushings and PVC gaskets (if provided).

**State of supply:** hinge complete with 2 M8x20 special head screws;  
Only for the glass version: 2 bushings and 2 gaskets, 1mm thick.



Packing Gaskets



### QUANTITY DISCOUNT

Qty	1+	4+	8+	16+
Discounts	-	-10%	-17%	on request

Code	Pack	Application	Thickness mm	Finish	Weight g	Stock	€ piece
690344	4 pcs	panel	6-8	microball-blasting	650	■	103.71
626695	4 pcs	glass	4-6	microball-blasting	650	■	107.00

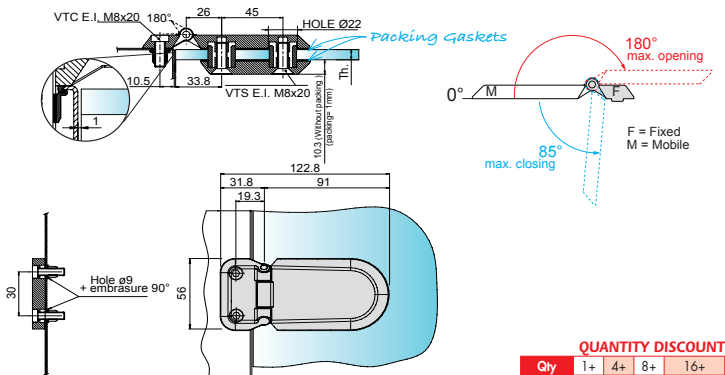
■ **Products not in stock** minimum order: 4 pieces, delivery in 15 days

2532 **M** Screwable with plate locking

**Use:** for **self-supporting** doors (without external framework) made of 4-6 mm thick glass or Plexiglas panels with a thickness of 6-8 mm.

**Material** AISI316 stainless steel hinge and plate, AISI303 stainless steel pin, AISI304 stainless steel screws, AISI303 stainless steel anti-friction washers, black polyethylene bushings and PVC gaskets (if provided).

**State of supply** hinge complete with 2 M8x20 hexagon socket countersunk head screws and 2 M8x20 socket head screws in AISI304 stainless steel; Only for the glass version: 2 bushings and 2 seals, 1 mm thick.



## QUANTITY DISCOUNT

Qty	1+	4+	8+	16+
Discounts	-	-10%	-17%	on request

Code	Pack	Application	Thickness mm	Finish	Weight g	Stock	€ piece
653815	4 pcs	panel	6-8	mirror polishing	650	■	105.71
629935	4 pcs	glass	4-6	mirror polishing	650	■	109.00

■ **Products not in stock** minimum order: 4 pieces, delivery in 15 days

## 2532 **B** Weldable with button locking



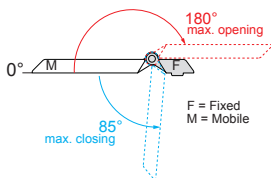
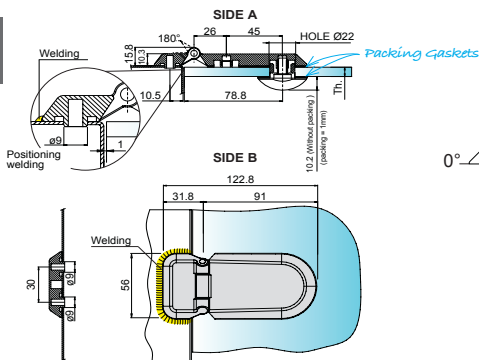
**Use:** for **self-supporting** doors (without external framework, fastening directly on the glass/panel) made of **4-8 mm** thick glass or Plexiglas panels with a thickness of **6-10 mm**.

Easily sanitizable on the inside.

**Material:** AISI316 stainless steel hinge, AISI304 stainless steel threaded button, AISI303 stainless steel pin, AISI316 stainless steel screws, AISI303 stainless steel anti-friction washers, black polyethylene bushings and PVC gaskets (if provided).

**State of supply:** hinge complete with 1 threaded button and 2 M6x16 socket head screws in AISI316 stainless steel;

Only for the glass version: 1 bushing and 2 gaskets, 1 mm thick.



### QUANTITY DISCOUNT

Qty	1+	4+	8+	16+
Discounts	-	-10%	-17%	on request

Code	Pack	Application	Thickness mm	Finish	Weight g	Stock	€
							piece
626925	4 pcs	panel	6-10	microball-blasting	432	■	103.71
690324	4 pcs	glass	4-8	microball-blasting	432	■	107.00

■ **Products not in stock** minimum order: 4 pieces, delivery in 15 days

2532 **C** Screwable with button locking

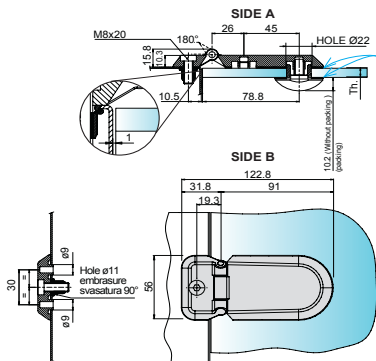
**Use:** for **self-supporting** doors (without external framework, fastening directly on the glass/panel) made of **4-8 mm** thick glass or Plexiglas panels with a thickness of **6-10 mm**.

Easily sanitizable on the inside.

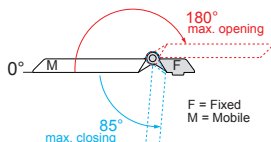
**Material:** AISI316 stainless steel hinge, AISI304 stainless steel threaded button, AISI303 stainless steel pin, AISI304 stainless steel screws, AISI303 stainless steel anti-friction washers, black polyethylene bushings and PVC gaskets (if provided).

**State of supply:** hinge complete with 1 threaded button and 1 M8x20 socket head screw in AISI304 stainless steel;

Only for the glass version: 1 bushing and 2 gaskets, 1 mm thick.



Packing gaskets



F = Fixed  
M = Mobile

## QUANTITY DISCOUNT

Qty	1+	4+	8+	16+
Discounts	-	-10%	-17%	on request

Code	Pack	Application	Thickness	Finish	Weight	Stock	€
			mm				
626935	4 pcs	panel	6-10	mirror polishing	432	■	114.97
626665	4 pcs	glass	4-8	mirror polishing	432	■	118.26

■ **Products not in stock** minimum order: 4 pieces, delivery in 15 days

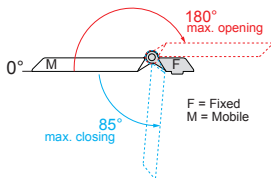
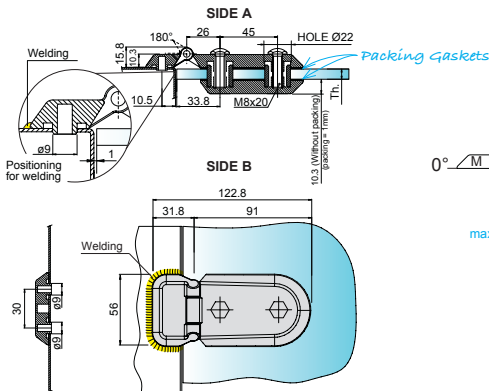
## 2532 **E** Weldable with plate locking **Pharma**



**Use:** for **self-supporting** doors (without external framework) made of **4-6 mm** thick glass, or Plexiglas panels with a thickness of **6-8 mm**. Particularly suitable for sanitization requirements.

**Material:** AISI316 stainless steel hinge and plate, AISI304 stainless steel pin and screws, AISI303 stainless steel anti-friction washers, black polyethylene bushings and PVC gaskets (if provided).

**State of supply:** hinge complete with 2 M8x20 special head screws;  
Only for the glass version: 2 bushings and 2 gaskets, 1 mm thick.



### QUANTITY DISCOUNT

Qty	1+	4+	8+	16+
Discounts	-	-10%	-17%	on request

Code	Pack	Application	Thickness mm	Finish		Weight g	Stock	€ piece
				A	B			
690354	4 pcs	panel	6-8	microball-blasting	mirror polishing	650	■	118.26
626685	4 pcs	glass	4-6	microball-blasting	mirror polishing	650	■	124.51

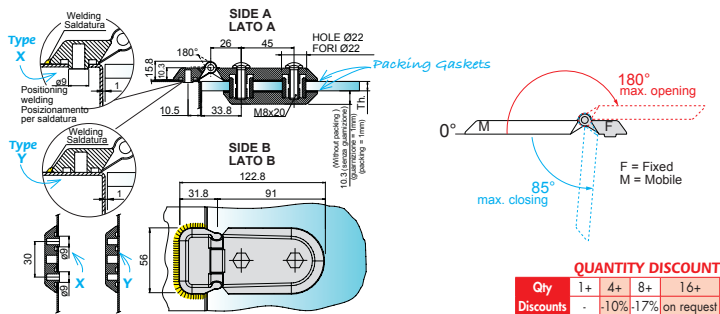
■ **Products not in stock** minimum order: 4 pieces, delivery in 15 days

2532 **H** Weldable with plate locking **Pharma**

**Use:** for **self-supporting** doors (without external framework) made of **4-6 mm** thick glass or Plexiglas panels with a thickness of **6-8 mm**. Particularly suitable for sanitization requirements.

**Material:** AISI316 stainless steel hinge and plate, AISI303 stainless steel pin, AISI304 and AISI316 stainless steel screws, AISI303 stainless steel anti-friction washers, black polyethylene bushings and PVC gaskets (if provided).

**State of supply:** hinge complete with 2 M8x20 special-head screws in AISI304 stainless steel and 2 M6x16 socket head screws in AISI316 stainless steel; Only for the glass version: 2 bushings and 2 gaskets, 1mm thick.



Code	Type	Pack	Version	Application	Thickness	Finish		Weight	Stock	€
						Side A	Side B			
626705	X	4 pcs	screws	panel	6-8	mirror polishing	mirror polishing	650	▪	123.05
626715	X	4 pcs	screws, bushings and gaskets	glass	4-6	mirror polishing	mirror polishing	650	▪	127.90
631328	Y	4 pcs	screws	panel	6-8	mirror polishing	mirror polishing	650	▪	126.85
631338	Y	4 pcs	screws, bushings and gaskets	glass	4-6	mirror polishing	mirror polishing	650	▪	132.18

▪ **Products not in stock** minimum order: 4 pieces, delivery in 15 days

## 2532 **D** Weldable with button locking **Pharma**



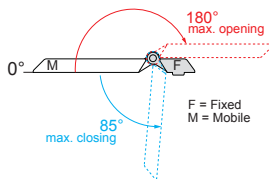
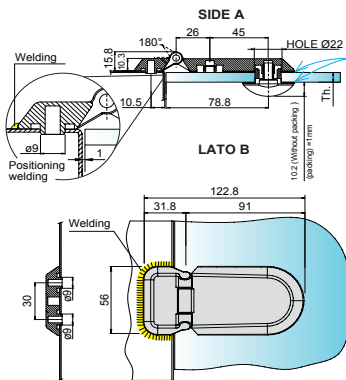
**Use:** for **self-supporting** doors (without external framework, fastening directly on the glass/panel) made of glass with a thickness of **4-8 mm** or Plexiglas panels with a thickness of **6-10 mm**.

Particularly suitable for sanitization requirements.

**Material:** AISI316 stainless steel hinge and screws, AISI304 stainless steel threaded button, AISI303 stainless steel pin, AISI303 stainless steel anti-friction washers, black polyethylene bushings and PVC gaskets (if provided).

**State of supply:** hinge complete with 1 threaded button and 2 M6x16 socket head screws in AISI316 stainless steel;

Only for the glass version: 1 bushing and 2 gaskets, 1 mm thick.



### QUANTITY DISCOUNT

Qty	1+	4+	8+	16+
Discounts	-	-10%	-17%	on request

Code	Pack	Application	Thickness mm	Finish	Weight g	Stock	€
							piece
626945	4 pcs	panel	6-10	mirror polishing	432	■	123.05
626675	4 pcs	glass	4-8	mirror polishing	432	■	127.90

■ **Products not in stock** minimum order: 4 pieces, delivery in 15 days

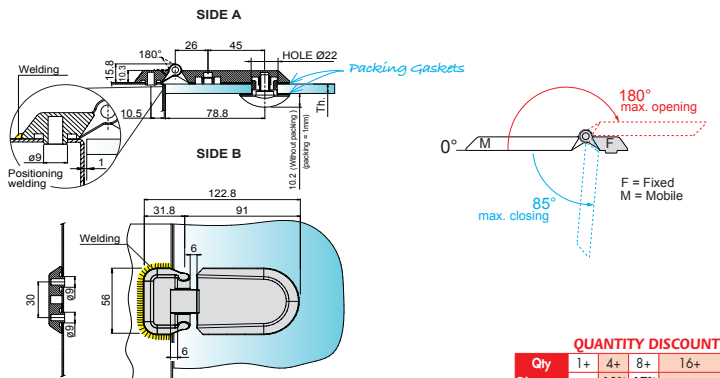
2532 **I** Weldable with button locking **Pharma**

**Use:** for **self-supporting** doors (without external framework) made of **4-8 mm** thick glass or Plexiglas panels with a thickness of **6-10 mm**. Particularly suitable for sanitization requirements.

**Material** AISI316 stainless steel hinge, AISI304 stainless steel button, AISI303 stainless steel pin, AISI316 stainless steel screws, AISI303 stainless steel anti-friction washers, black polyethylene bushings and PVC gaskets (if provided).

**State of supply** hinge complete with 1 threaded button and 2 M6x16 socket head screws in AISI316 stainless steel;

Only for the glass version: 1 bushing and 2 gaskets, 1mm thick.



## QUANTITY DISCOUNT

Qty	1+	4+	8+	16+
Discounts	-	-10%	-17%	on request

Code	Pack	Application	Thickness mm	Finish	Weight g	Stock	€ piece
653795	4 pcs	panel	6-10	mirror polishing	432	■	130.05
626725	4 pcs	glass	4-8	mirror polishing	432	■	134.90

■ **Products not in stock** minimum order: 4 pieces, delivery in 15 days



# Accessories for doors: Handles

FOOD

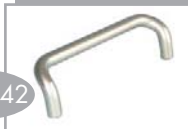
PACK



Safety bridge handles

---

5 p.242



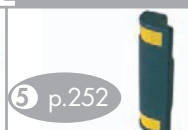
Safety handles and screw caps

---

5 p.258



5 p.252



Safety modular

---

5 p.260



Safety cremone

---

5 p.279



Safety pharma (pharmaceutical use)

---

5 p.285



## WARNINGS

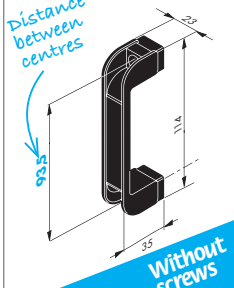
Only the Italian version of this catalogue is to be understood as the original version. Bett Sistemi shall not be held liable for any translation or transcription errors. The information contained in this catalogue is exclusively meant for component description purposes and shall not be understood as a statement made by Bett Sistemi regarding a specific characteristic of the component or its suitability for a specific use. The data provided **shall not relieve the customers from their responsibility to evaluate, check and consequently use any and all components.** All information is based on the data available at the time of publishing and is not binding. Bett Sistemi shall not be held liable for any incomplete or wrong information, and for any damage which may arise in connection with such information. The products may be modified at any time without prior notice, **we therefore recommend that you always check the product updates on the website [www.bettsistemi.com](http://www.bettsistemi.com)**

## 1379 In polyamide distance between centres: 93.5 mm



**Code 605542 - 605552  
606032 - 606042**

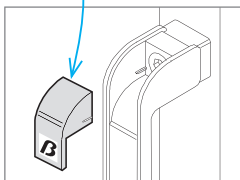
*Distance between centres*



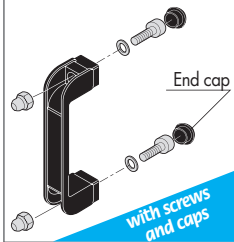
**Use:** when you need total cleanliness without pooling areas.

**Material** reinforced polyamide handle, stainless steel nuts and bolts.

**Combinations**



**Code 605562**



**State of supply** complete with 2 M6x16 socket head screws, 2 blind nuts, 2 caps and end caps ø 13.5, 2 washers.

**QUANTITY DISCOUNT**

Qty	1+	12+	24+	48+
Discounts	-	-10%	-17%	on request

Code	Pack	Screws and caps	Screw seat	Handle/Caps colour	Weight g	Stock	€ piece
605542	12 pcs	no	M6	black RAL9005	34	✓	2.00
605552	12 pcs	no	M8	black RAL9005	34	✓	2.00
606032	12 pcs	no	M6	grey RAL7016	34	✓	2.00
606042	12 pcs	no	M8	grey RAL7016	34	✓	2.00
605562	12 pcs	yes	M6	black RAL9005	55	✓	3.80



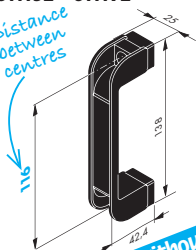
**Other colours** minimum order: 1000 pieces, delivery in 15 days

1391

In polyamide **distance between centres: 116 mm**

Code 611182 - 611162  
611192 - 611172

Distance  
between  
centres

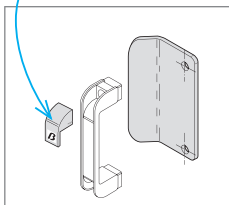


Without  
screws

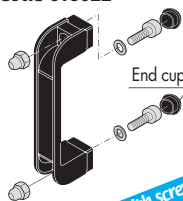
**Use:** when you need total cleanliness without pooling areas; this handle offers a wider, more comfortable and secure grip.

**Material:** reinforced polyamide handle, stainless steel nuts and bolts.

Combinations



Code 618022



with screws  
and caps

**State of supply:** 2 M6x20 socket head screws, 2 hexagon nuts with cap and 2 stainless steel washers; 2 13.5Ø polyethylene end caps.

QUANTITY DISCOUNT

Qty	1+	12+	24+	48+
Discounts	-	-10%	-17%	on request

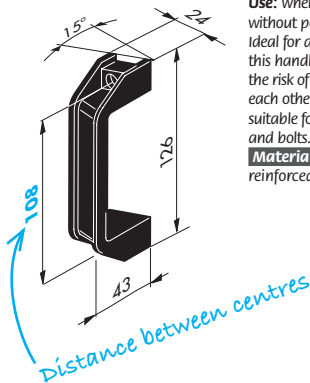
Code	Pack	Screws and caps	Screw seat/d	Handle/Caps colour	Weight g	Stock	€ piece
611182	24 pcs	no	M6	black RAL9005	58	✓	1.83
611162	24 pcs	no	M8	black RAL9005	58	✓	1.83
611192	24 pcs	no	M6	grey RAL7016	58	✓	1.83
611172	24 pcs	no	M8	grey RAL7016	58	✓	1.83
618022	24 pcs	yes	M6	black RAL9005	60	✓	4.25



**Other colours:** minimum order: 1000 pieces, delivery in 15 days

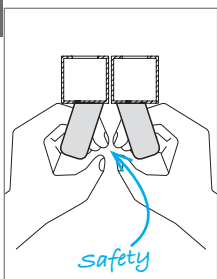


## 1375 Tilted base distance between centres: 108mm

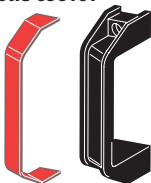


**Use:** when you need total cleanliness without pooling areas; Ideal for double doors, the design of this handle allows side-by-side without the risk of knocking hands against each other during opening/closing; suitable for commercial M6 nuts and bolts.

**Material** handle in technopolymer reinforced with glass fibre.



**Code 698161**



with covering strip

**State of supply** single handle complete with lobster pink covering strip.

### QUANTITY DISCOUNT

Qty	1+	5+	10+	20+
Discounts	-	-10%	-17%	on request

Code	Pack	Covering strip	Colour	Weight g	Stock	€
						piece
698171	10 pcs	no	black RAL9005	45	■	1.68
698161	10 pcs	yes	black RAL9005	53	■	1.83

■ **Products not in stock** minimum order: 10 pieces, delivery in 10 days

1793

## Safety guard

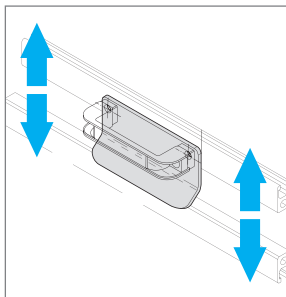
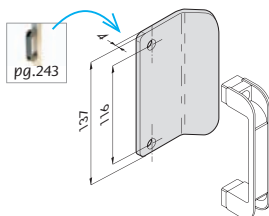


**Use:** to be used on handles **Part 1391** fitted on sliding and swing doors, to prevent accidental finger trapping when the door is closed.

**Material** shockproof acrylic.

**State of supply** guard with scratchproof film.

## Combinations



## QUANTITY DISCOUNT

Qty	1+	12+	24+	48+
Discounts	-	-10%	-17%	on request

Code	Pack	Finish	Weight	Stock	€
697902	24 pcs	transparent	g 24	✓	piece 7.36

## 2048 with round shaft $\varnothing 10$

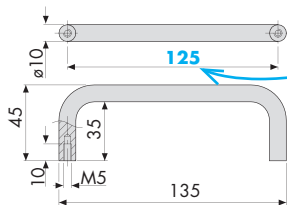
Stainless steel



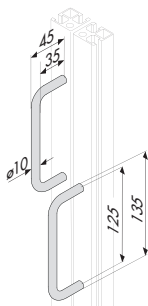
**Use:** suitable for fitting on single swing doors. If fitting on double swing doors, it is advisable to fit the handles at different heights.

**Material:** AISI 304 stainless steel.

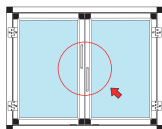
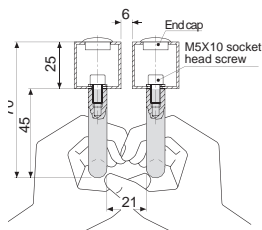
**State of supply:** handle ready for M5 screws.



Distance between centres



Recommended for double swing doors



### QUANTITY DISCOUNT

Qty	1+	5+	10+	20+
Discounts	-	-10%	-17%	on request

Code	Pack	Finish	Weight	Stock	€
			g		piece
684663	10 pcs	microball-blasting	119	✓	7.68

on request the handles can be delivered polished.

**2087**

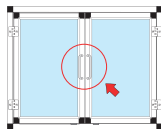
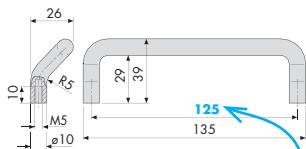
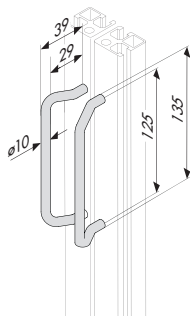
**with round shaft  $\varnothing 10$  safety**



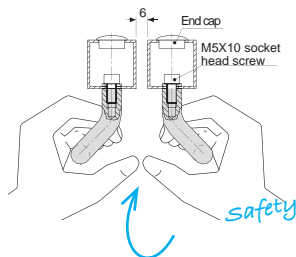
**Use:** Ideal for double swing doors, the design of this handle allows side-by-side fitting without the risk of knocking your hands against each other when the doors are opened or closed.

**Material** AISI 304 stainless steel.

**State of supply** handle ready for M5 screws.



Distance between centres



**QUANTITY DISCOUNT**

Qty	1+	5+	10+	20+
Discounts	-	-10%	-17%	on request

Code	Pack	Finish	Weight g	Stock	€ piece
684643	10 pcs	microball-blasting	119	✓	9.38

on request the handles can be delivered polished.

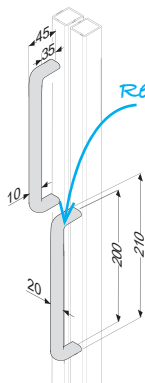
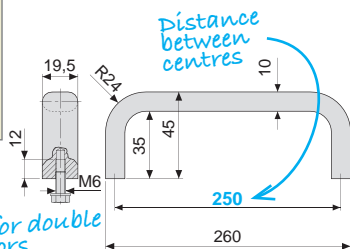
## 4102 In stainless steel oval cross-section



**Use:** suitable for fitting on single swing doors or on control panels. If fitted on double swing doors, make sure to work and assembled following a staggered pattern, to avoid accidentally knocking the fingers against each other when the doors are opened or closed with both hands.

**Material** Handle in AISI 303 stainless steel, nuts and bolts in AISI 304 stainless steel.

**State of supply** 1 handle, 2 hexagon head screws M6x12 UNI EN 24017, 2 washers.

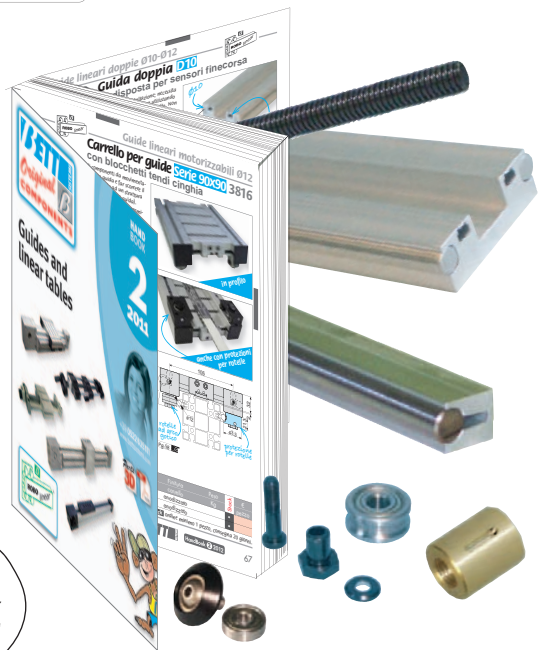


### QUANTITY DISCOUNT

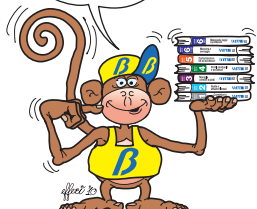
Qty	2+	4+	10+	20+
Discounts	-	-5%	-10%	on request

Code	Pack	Finish	Weight	Stock	€
628907	2 pcs	semi-polished and with barrel-finishing	g 434	▪	piece 44.44

▪ **Products not in stock** minimum order: 10 pieces, delivery in 15 days



Have you  
 got all the  
**BOOKS?**





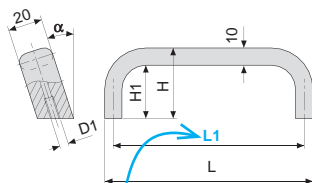
## 2075 In aluminium oval cross-section



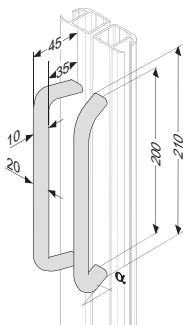
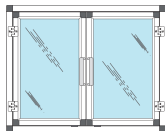
**Use:** Ideal for double swing doors, the design of this handle allows side-by-side fitting without the risk of knocking your hands against each other when the doors are opened or closed.

**Material** anodised aluminium.

**State of supply** handle ready for M5 screws



Distance between centres



### QUANTITY DISCOUNT

Qty	1+	5+	10+	20+
Discounts	-	-10%	-17%	on request

Code	Pack	L	L1	H	H1	D1	$\alpha$	Weight	Stock	€
		mm	mm	mm	mm	mm	mm	g		piece
683983	10 pcs	210	200	45	35	M5	15°	125	■	24.46

■ Products not in stock minimum order: 10 pieces, delivery in 15 days

2074

In aluminium **oval cross-section**

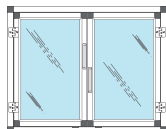
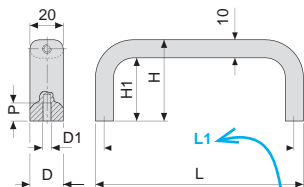


**Use:** suitable for fitting on single swing doors. If fitting on double swing doors, it is advisable to fit the handles at different heights.

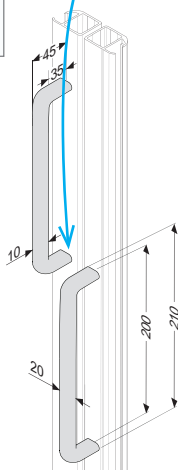
**Material:** anodised aluminium.

**State of supply:** handle ready for M5 screws

*Recommended for double swing doors*



*Distance between centres*



**QUANTITY DISCOUNT**

Qty	1+	5+	10+	20+
Discounts	-	-10%	-17%	on request

Code	Pack	L	L1	H	H1	D1	P	Weight	Stock	€
		mm	mm	mm	mm	mm	mm	g		piece
683973	10 pcs	210	200	45	35	M5	10	125	▪	14.72

▪ **Products not in stock** minimum order: 10 pieces, delivery in 15 days

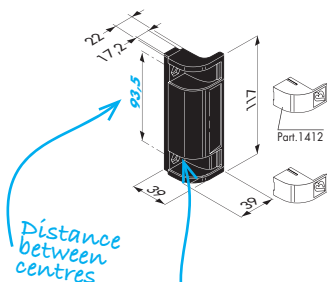
## 1586 → In polyamide distance between centres 93.5 mm



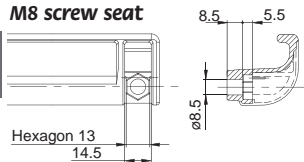
**Use:** for generic uses and fittings. Ideal for double doors, the design of this handle allows side-by-side fitting without the risk of knocking the fingers against each other when the doors are opened.

**Material:** reinforced polyamide handle.

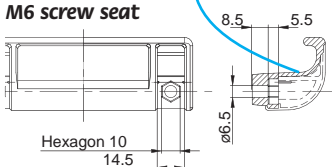
Combinations



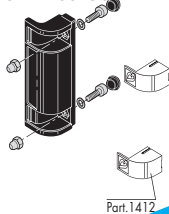
**M8 screw seat**



**M6 screw seat**



**Code 664972 - 664962**



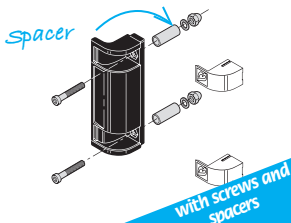
with screws and caps

**Use:** for 25x25 tubes with fitting from the inside.

**State of supply:** 4 M6x10 socket head screws, 4 washers in stainless steel AISI304, 4 end caps in black polyethylene.

## 1586 ↓

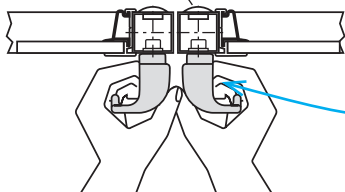
**Code 665052 - 665042**



**Use:** for 25x25 tubes with front fitting.

**State of supply** complete with 2 M6x40 socket head screws, 2 washers, 2 blind nuts, 2 spacers.

Closing cap  
Part. 882



safety

### QUANTITY DISCOUNT

Qty	1+	6+	12+	24+
Discounts	-	-10%	-17%	on request

Code	Pack	Screw seat	Screws	Caps	Spacers	Colour handle	Weight g	Stock	€ piece
664952	12 pcs	M6	no	no	no	black RAL9005	65	✓	2.22
664942	12 pcs	M6	no	no	no	grey RAL7016	65	✓	2.22
665032	12 pcs	M8	no	no	no	black RAL9005	55	✓	2.22
665022	12 pcs	M8	no	no	no	grey RAL7016	55	✓	2.22
664972	12 pcs	M6	yes	yes	no	black RAL9005	80	✓	6.34
664962	12 pcs	M6	yes	yes	no	grey RAL7016	80	✓	6.34
665052	12 pcs	M6	yes	no	yes	black RAL9005	92	✓	6.34
665042	12 pcs	M6	yes	no	yes	grey RAL7016	92	✓	6.34

**WARNING** To receive the handle with screw caps in the desired colour, add the identification letter of the colour chosen at the end of the handle part number:

**Y** - yellow RAL 1021; **G** - grey RAL 7016; **R** - red RAL 3020; **B** - black; **O** - orange RAL 2004; **C** - blue RAL 5015.

Example: to order a black handle with screws in a standard pack with RAL 5015 blue screw caps you must indicate **Part 1586 Code 665072C**

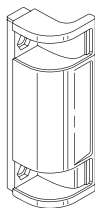
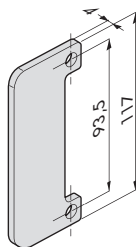


## 1792 Safety shield



**Use:** to be used on handle Part 1586 for fitting on sliding doors, to prevent accidental finger trapping when the door is closed.

**Material:** shockproof acrylic.



Combinations



### QUANTITY DISCOUNT

Qty	1+	12+	24+	48+
Discounts	-	-10%	-17%	on request

Code	Pack	Finish	Weight g	Stock	€ piece
697892	24 pcs	transparent	18	✓	7.36

1382 **Safety handle** in polyamide



**Use:** for generic uses and fittings.

**Material:** reinforced polyamide handle.

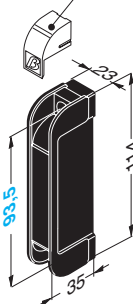
**State of supply:** complete with safety guard.

**Combinations**

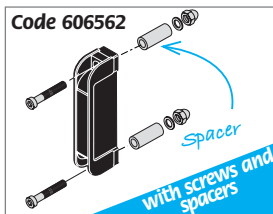


Part. 1411

Distance between centres



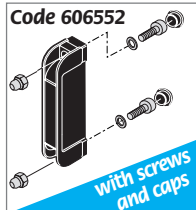
**Code 606562**



**Use:** for 25x25 tubes with front fitting.

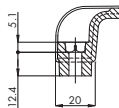
**State of supply:** complete with safety wall, 2 M6x40 socket head screws, 2 washers, 2 blind hexagon nuts, 2 spacers.

**Code 606552**

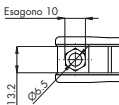


**Use:** for 25x25 tubes with fitting from the inside.

**State of supply:** complete with safety wall, 2 M6x16 socket head screws, 2 washers, 2 blind hexagon nuts, 2 end caps.



Screw and M6 nut



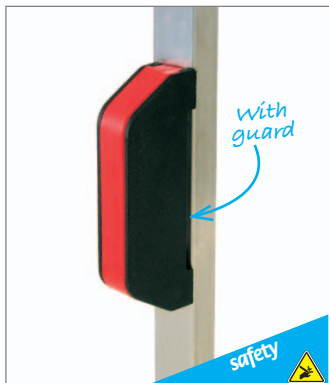
**QUANTITY DISCOUNT**

Qty	1+	12+	24+	48+
Discounts	-	-10%	-17%	on request

Code	Pack	Screws	Caps	Spacers	Handle colour	Weight	Stock	€
						g		piece
618672	24 pcs	no	no	no	black RAL9005	66	✓	2.34
618682	24 pcs	no	no	no	grey RAL7016	66	✓	2.34
606552	12 pcs	yes	yes	no	black RAL9005	73	✓	7.32
606562	12 pcs	yes	no	yes	black RAL9005	83	✓	7.32

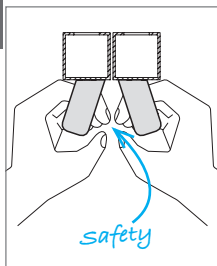
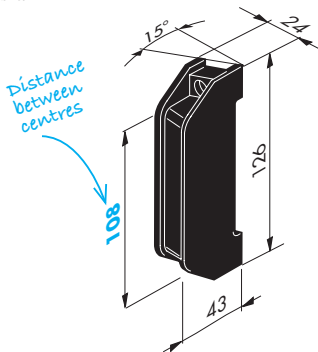


## 1374 With inclined base distance between centres: 108 mm



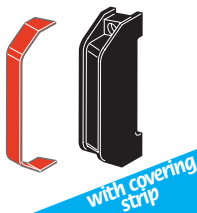
**Use:** Ideal for double doors, since it protects the operator against any finger trapping during door opening. Suitable for commercial M6 nuts and bolts.

**Material** handle in technopolymer reinforced with glass fibre.



**Code 698141 - 698411**

**State of supply** single handle complete with covering strip.



### QUANTITY DISCOUNT

Qty	1+	5+	10+	20+
Discounts	-	-10%	-17%	on request

Code	Pack	Covering strip	Colour		Weight g	Stock	€ piece
			Covering strip	Handle			
698151	10 pcs	no	-	black RAL9005	51	■	2.64
698141	10 pcs	yes	orange RAL2004	black RAL9005	59	■	3.10
698411	10 pcs	yes	red RAL3020	black RAL9005	59	■	3.10

■ **Products not in stock** minimum order: 10 pieces, delivery in 10 days

2596

For sliding doors

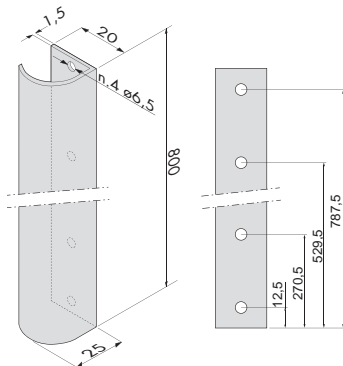


**Use:** in addition to its safety function, the handle can be used to strengthen sliding doors made with 6mm thick panels

without framework, preventing flexure due to tensile stress such as opening and closing.

**Material** predrilled handle and AISI 304 stainless steel screws.

**State of supply** complete with 1 handle; 4 M6x16 socket head cap screws; 4 M6 blind nuts; 4 M6 washers.



## QUANTITY DISCOUNT

Qty	1+	2+	4+	8+
Discounts	-	-10%	-17%	on request

Code	Pack	Finish	Weight	Stock	€
			g		piece
628735	2 pcs	Brushing	560	✓	26.8

# 1411 **Small snap-fit screw cap**

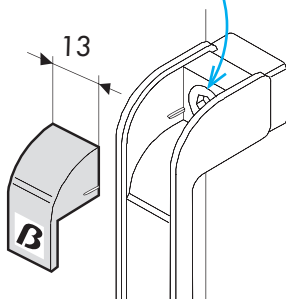


**Use:** Screw cap used to improve the handle aesthetics and avoid dust infiltrations in the screw seat.

**Characteristics:** available in various colours and customizable

**Material:** polypropylene.

**Combinations**



**Handle with caps** to order a handle with screw caps, add the identification letter of the desired colour at the end of the handle part number:

Y : yellow RAL 1021      G : grey RAL 7016  
R : red RAL 3020      B : black RAL 9005  
O : orange RAL 2004      W : blue RAL 5015

**Example:** to order a handle with RAL 5015 blue screw caps indicate: **Part 1586 - Code 665072/W**

### QUANTITY DISCOUNT

Qty	1+	12+	24+	48+
Discounts	-	-10%	-17%	on request

Code	Pack	Colour	Weight	Stock	€
			g		piece
618532	24 pcs	yellow RAL1021	2	✓	0.50
618542	24 pcs	red RAL3020	2	✓	0.50
618552	24 pcs	orange RAL2004	2	✓	0.50
618562	24 pcs	blue RAL5015	2	✓	0.50
686952	24 pcs	grey RAL7016	2	✓	0.50
686962	24 pcs	black RAL9005	2	✓	0.50

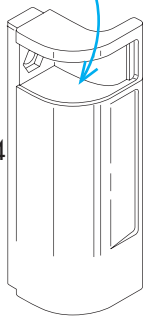
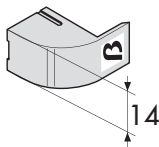
1412

**Large** snap-fit screw cap

**Use:** Screw cap used to improve the handle aesthetics and avoid dust infiltrations in the screw seat.

**Characteristics:** available in various colours and customizable

**Material** polypropylene.

**Combinations**

**Handle with caps** to order a handle with screw caps, add the identification letter of the desired colour at the end of the handle part number:

- |   |  |
|---|--|
|  <b>Y</b> : yellow RAL 1021   |  <b>G</b> : grey RAL 7016   |
|  <b>R</b> : red RAL 3020     |  <b>B</b> : black RAL 9005 |
|  <b>O</b> : orange RAL 2004 |  <b>W</b> : blue RAL 5015 |

**Example:** to order a handle with RAL 5015 blue screw caps indicate: **Part 1586 - Code 665072/W**

**QUANTITY DISCOUNT**

Qty	1+	12+	24+	48+
Discounts	-	-10%	-17%	on request

Code	Pack	Colour	Weight g	Stock	€ piece
618572	24 pcs	yellow RAL1021	3.2	✓	0.50
618582	24 pcs	red RAL3020	3.2	✓	0.50
618592	24 pcs	orange RAL2004	3.2	✓	0.50
618602	24 pcs	blue RAL5015	3.2	✓	0.50
686972	24 pcs	grey RAL7016	3.2	✓	0.50
686982	24 pcs	black RAL9005	3.2	✓	0.50

## 2638 → Angle kit with Ø28-Ø30 tube

Stainless steel  
or aluminium



**Material** couplings in reinforced polyamide, end caps in polypropylene, tube in anodised aluminium or AISI 304 stainless steel (see table), spring washer (only for D= 28Ø) in AISI 304 stainless steel.

**State of supply** 4 handle couplings; 2 end caps; 1 tube, bent and cut to size.

Combinations

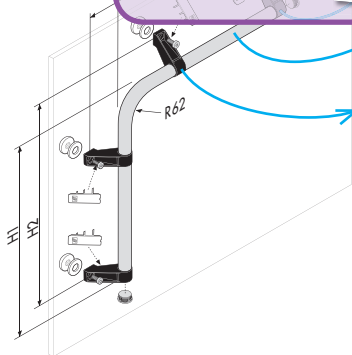


**THIS PRODUCT  
HAS BEEN UPDATED!**

Download the  
Web Novelties



Ø28 Part 4194  
Ø30 Part 1902



Part 2687

D=Ø28 Part 4195  
D=Ø30 Part 1931

 **2638**
**QUANTITY DISCOUNT**
**Colour chart**

black RAL9005; grey RAL7016; yellow RAL1021

Qty	1+	2+	4+	8+
Discounts	-	-10%	-17%	on request

Code	Pack	D	Screws	H1	H2	L1	L2	Colour		Material/finish			Stock	€
								Coupling	Cap	Tube	Screws	piece		
		Ø		mm	mm	mm	mm							
635998	1 pcs	28	no	900	818.5	800	818.5	black	black	anodised aluminium 15 µm	-	✓	100.41	
636018	1 pcs	28	no	900	818.5	800	818.5	grey	black	anodised aluminium 15 µm	-	✓	100.41	
636058	1 pcs	28	no	900	818.5	800	818.5	black	black	Microball-blasted stainless steel	-	▪	153.10	
636078	1 pcs	28	no	900	818.5	800	818.5	grey	black	Microball-blasted stainless steel	-	▪	153.10	
601215	1 pcs	30	no	900	924	800	824	black	black	anodised aluminium 15 µm	-	▪	115.48	
601225	1 pcs	30	no	900	924	800	824	black	yellow	anodised aluminium 15 µm	-	▪	115.48	
601235	1 pcs	30	no	900	924	800	824	grey	yellow	anodised aluminium 15 µm	-	▪	115.48	
601275	1 pcs	30	no	900	924	800	824	black	black	Microball-blasted stainless steel	-	▪	166.09	
601285	1 pcs	30	no	900	924	800	824	black	yellow	Microball-blasted stainless steel	-	▪	166.09	
601295	1 pcs	30	no	900	924	800	824	grey	yellow	Microball-blasted stainless steel	-	▪	166.09	

▪ **Products not in stock** minimum order: 1 piece, delivery in 20 days

## 2639 → Double angle kit with $\varnothing 28$ - $\varnothing 30$ tube



**Material** couplings in reinforced polyamide, end caps in polypropylene, tube in anodised aluminium or AISI 304 stainless steel (see table), spring washer (only for  $D=28\varnothing$ ) in AISI 304 stainless steel.

**State of supply** 7 handle couplings; 2 end caps; 2 tubes, bent and cut to size.

Combinations



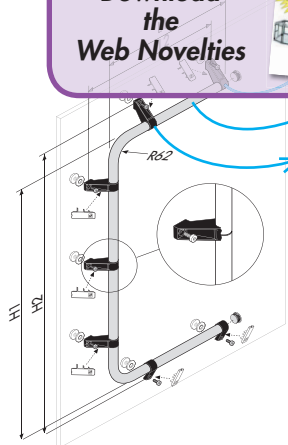
**THIS PRODUCT  
HAS BEEN UPDATED!**

**Download  
the  
Web Novelties**

$\varnothing 28$  Part 4194  
 $\varnothing 30$  Part 1902

Part 2687

$D=\varnothing 28$  Part 4195  
 $D=\varnothing 30$  Part 1931



## ↓ 2639

### QUANTITY DISCOUNT

#### Colour chart

black RAL9005; grey RAL7016; yellow RAL1021

Qty	1+	2+	4+	8+
Discounts	-	-10%	-17%	on request

Code	Pack	D Ø	Screws	H1 mm	H2 mm	L1 mm	L2 mm	Colour		Material/finish		Screws	Stock	€ piece
								Coupling	Cap	Tube	Screws			
636148	1 pcs	28	no	1800	1867	800	818.5	black	black	anodised aluminium 15 µm	-	✓	185,85	
636168	1 pcs	28	no	1800	1867	800	818.5	grey	black	anodised aluminium 15 µm	-	✓	185,85	
636208	1 pcs	28	no	1800	1867	800	818.5	black	black	Microball-blasted stainless steel	-	▪	291,05	
636228	1 pcs	28	no	1800	1867	800	818.5	grey	black	Microball-blasted stainless steel	-	▪	291,05	
601335	1 pcs	30	no	1770	1848	800	824	black	black	anodised aluminium 15 µm	-	▪	240,71	
601345	1 pcs	30	no	1770	1848	800	824	black	yellow	anodised aluminium 15 µm	-	▪	240,71	
601355	1 pcs	30	no	1770	1848	800	824	grey	yellow	anodised aluminium 15 µm	-	▪	240,71	
601395	1 pcs	30	no	1770	1848	800	824	black	black	Microball-blasted stainless steel	-	▪	300,57	
601405	1 pcs	30	no	1770	1848	800	824	black	yellow	Microball-blasted stainless steel	-	▪	300,57	
601415	1 pcs	30	no	1770	1848	800	824	grey	yellow	Microball-blasted stainless steel	-	▪	300,57	

▪ **Products not in stock** minimum order: 1 piece, delivery in 20 days

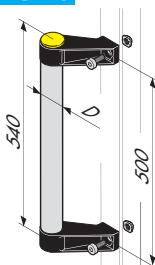
## 2035 → Ø28-Ø30 tube kit **Length 540**



**Use:** to open doors (recommended) and drive carriages.

**Material:** reinforced polyamide couplings, polypropylene end caps, anodised aluminium tube.

**State of supply:** 2 couplings for handle; 2 end caps; 1 tube cut to size.

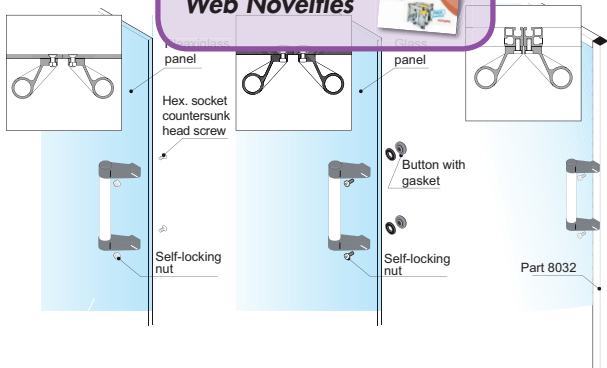


Combinations



**THIS PRODUCT HAS BEEN UPDATED!**

Download the Web Novelties




**2035**
**QUANTITY DISCOUNT**

Qty	1+	2+	4+	8+
Discounts	-	-10%	-17%	on request

Code	Pack	D	Nuts and bolts	Colour		Weight g	Stock	€ piece
				Coupling	Cap			
636678	1 pcs	28	no	black RAL9005	black RAL9005		▪	25.96
636688	1 pcs	28	no	grey RAL7016	black RAL9005		▪	25.96
601095	1 pcs	30	no	black RAL9005	black RAL9005	520	▪	25.96
601105	1 pcs	30	no	black RAL9005	yellow RAL1021	520	▪	25.96
601115	1 pcs	30	no	grey RAL7016	yellow RAL1021	520	▪	25.96

▪ **Products not in stock** minimum order: 1 piece, delivery in 5 days

## 2637 →

## Ø28-Ø30 tube kit **Length 840**



**Use:** to open doors (recommended) and drive carriages.

**Material:** reinforced polyamide couplings, polypropylene end caps, anodised aluminium tube.

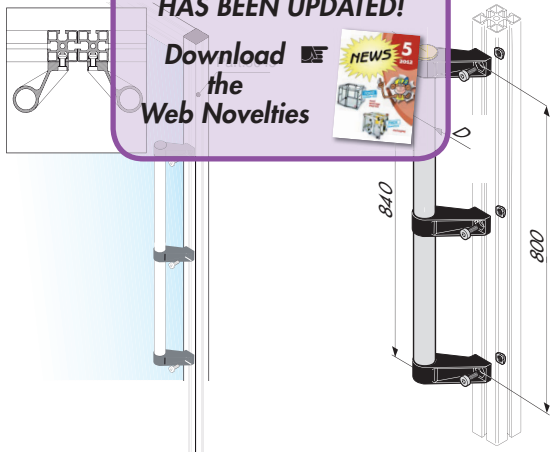
**State of supply:** 3 head couplings for handle, 2 end caps; 1 intermediate coupling for handle; 1 tube cut to size.

**Combinations**



**THIS PRODUCT  
HAS BEEN UPDATED!**

**Download** **the  
Web Novelties**



 **2637**
**QUANTITY DISCOUNT**

Qty	1+	2+	4+	8+
Discounts	-	-10%	-17%	on request

Code	Pack	D Ø	Nuts and bolts	Colour		Weight g	Stock	€ piece
				Coupling	Cap			
636728	1 pcs	28	no	black RAL9005	black RAL9005		▪	34.32
636738	1 pcs	28	no	grey RAL7016	black RAL9005		▪	34.32
601155	1 pcs	30	no	black RAL9005	black RAL9005	500	▪	34.32
601165	1 pcs	30	no	black RAL9005	yellow RAL1021	500	▪	34.32
601175	1 pcs	30	no	grey RAL7016	yellow RAL1021	500	▪	34.32

▪ **Products not in stock** minimum order: 1 piece, delivery in 5 days

## 4194 → Safety coupling Ø28



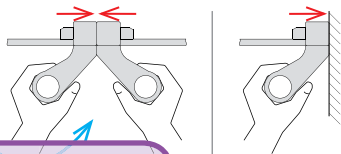
**head**



**Use:** as head or intermediate coupling for modular handles applicable on sliding doors or trolleys\*.

**Material** reinforced polyamide, End cap tube in polyethylene, spring washer for M8 screw in stainless steel AISI 304.

**State of supply** 1 handle coupling, 1 tube end cap, 1 spring washer.



to be fastened with safety rivet

safety



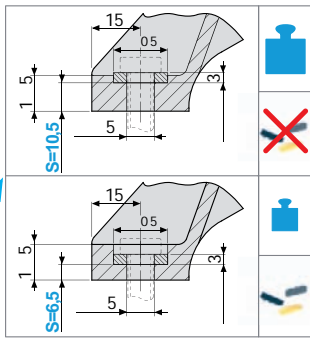
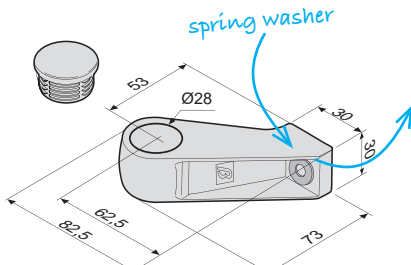
**THIS PRODUCT HAS BEEN UPDATED!**

Download the **Web Novelties**

conseillé pour applications sur chariots  
100% de tube inséré dans

max. 600mm  
(with 2 couplings)

**Combinations**

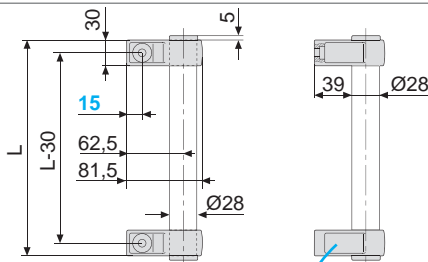


↓ 4194

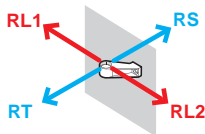
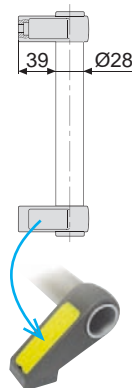
pg.272 **Coupling Ø30**



Application example



**WARNING**  
 End cap Part 2091, to be used only with Part 628977-628987 and screws DIN 7984 / ISO 7380F.  
 For this application, the highest tab of the cap must be removed.



RL = Lateral resistance  
 RT = Traction resistance  
 RS = Thrust resistance



**QUANTITY DISCOUNT**

Qty	1+	10+	20+	40+
Discounts	-	-10%	-17%	on request

Code	Pack	D Ø	S	Nuts & bolts	RT	RS	RL1 N	RL2 N	Colour		Wh. g	Stock	€ piece	
									Coupling	Cap				
690877	20 pcs	28	10.5	no	2600	2030	2030	2195	black	RAL9005	black RAL9005	64	✓	7.74
690867	20 pcs	28	10.5	no	2600	2030	2030	2195	grey	RAL7016	black RAL9005	64	✓	7.74
628977	20 pcs	28	6.5	no	2100	2030	2030	2030	black	RAL9005	black RAL9005	64	✓	7.74
628987	20 pcs	28	6.5	no	2100	2030	2030	2030	grey	RAL7016	black RAL9005	64	✓	7.74

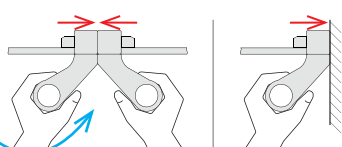
## 4195 → Safety coupling Ø28



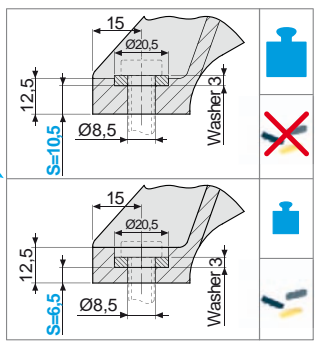
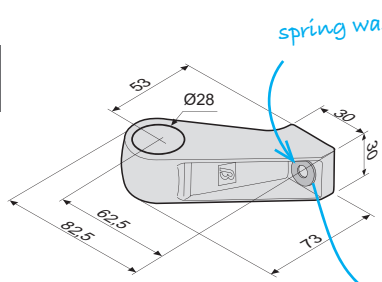
**Use:** as intermediate coupling for modular handles (longer than 600 mm) applicable on sliding doors or trolleys.

**Material:** reinforced polyamide, spring washer for M8 screw in stainless steel AISI 304.

**State of supply:** 1 handle coupling, 1 spring washer.



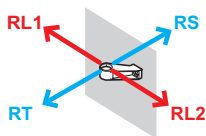
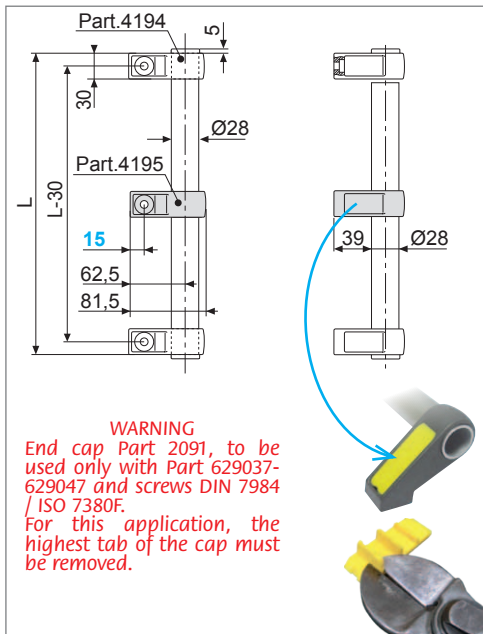
### Combinations



↓ 4195



Application example



RL = Lateral resistance  
RT = Traction resistance  
RS = Thrust resistance



### QUANTITY DISCOUNT

Qty	1+	10+	20+	40+
Discounts	-	-10%	-17%	on request

Code	Pack	D	S	Nuts & bolts	RT	RS	RL1	RL2	Colour	Wh.	Stock	€
		Ø			N	N	N	N	Coupling	g	piece	
690757	20 pcs	28	10.5	no	2600	2030	2030	2195	black RAL9005	20	✓	6.64
690747	20 pcs	28	10.5	no	2600	2030	2030	2195	grey RAL7016	20	✓	6.64
629037	20 pcs	28	6.5	no	2100	2030	2030	2030	black RAL9005	20	✓	6.64
629047	20 pcs	28	6.5	no	2100	2030	2030	2030	grey RAL7016	20	✓	6.64



## 1902 → Head safety coupling

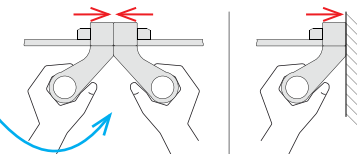


**Use:** in combination with tube Part 8030, it is recommended for modular handles that can be fitted on shutters or sliding doors, but is **unadvisable** for trolleys\*.

**Usable as a pair only.**

**Material** reinforced polyamide coupling, tube end cap in polypropylene

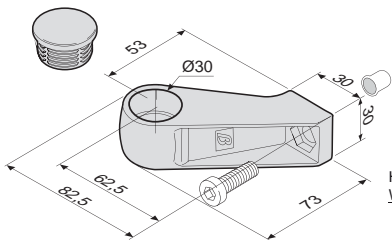
**State of supply** 1 handle coupling, 1 tube end cap.



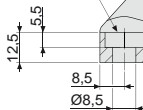
### Combinations



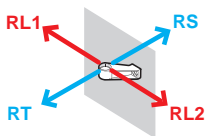
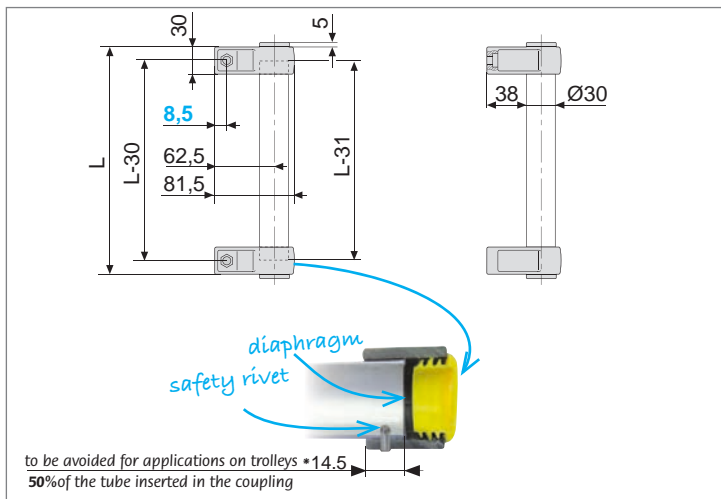
**safety**



Hexagonal seat  
Wrench 13



1902 ↓



RL = Lateral resistance  
RT = Traction resistance  
RS = Thrust resistance



**QUANTITY DISCOUNT**

Qty	1+	10+	20+	40+
Discounts	-	-10%	-17%	on request

Code	Pack	RT N	RS N	RL1 N	RL2 N	Colour		Wh. g	Stock	€ piece
						Coupling	Cap			
650553	20 pcs	1900	2030	1565	1160	black RAL9005	black RAL9005	64	▪	7.74
650533	20 pcs	1900	2030	1565	1160	black RAL9005	yellow RAL1021	64	▪	7.74
650543	20 pcs	1900	2030	1565	1160	grey RAL7016	yellow RAL1021	64	▪	7.74

▪ **Products not in stock** minimum order: 20 pieces, delivery in 15 days



## 1931 → Coupling Ø30 safety

**intermediate**

Ø 30

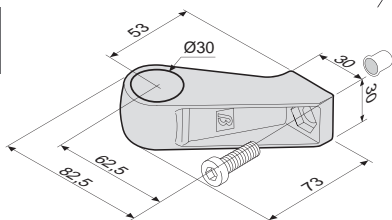
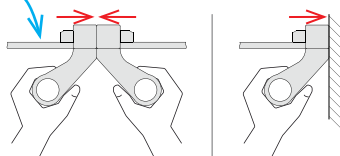
**Use:** as intermediate coupling for modular handles (longer than 600 mm) they can be fitted on shutters or sliding doors, but are unadvisable for trolleys

**Material:** reinforced polyamide

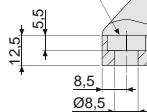
**State of supply:** 1 handle coupling.

Accident prevention

Combinations



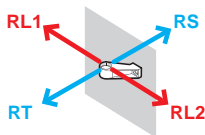
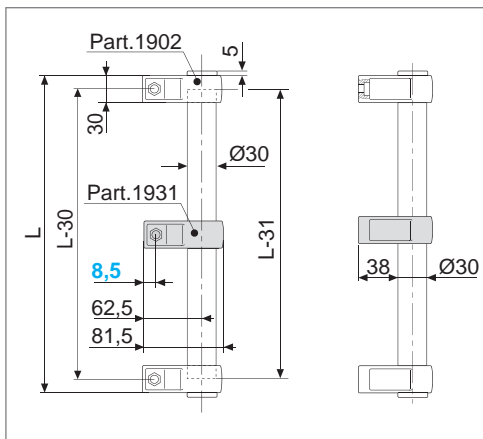
Hexagonal seat  
Wrench 13



## 1931 ↓



Application example



RL = Lateral resistance  
 RT = Traction resistance  
 RS = Thrust resistance



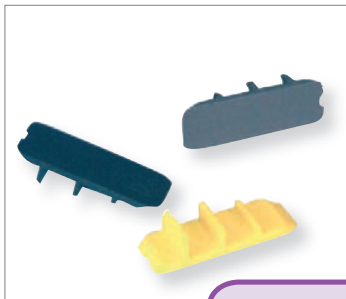
### QUANTITY DISCOUNT

Qty	1+	10+	20+	40+
Discounts	-	-10%	-17%	on request

Code	Pack	RT	RS	RL1	RL2	Colour Coupling	Weight g	Stock	€ piece
		N	N	N	N				
627993	20 pcs	1900	2030	1565	1160	black RAL9005	20	▪	6.64
627983	20 pcs	1900	2030	1565	1160	grey RAL7016	20	▪	6.64

▪ **Products not in stock** minimum order: 20 pieces, delivery in 15 days

## 2091 End cap



**Use:** to improve the aesthetics and protect against dust infiltrations.

**Characteristics:** snap-fitting (available in various colours and customisable logo).

**Material:** reinforced polyamide.

Combinations



**THIS PRODUCT  
HAS BEEN UPDATED!**

Download   
the  
Web Novelties



### QUANTITY DISCOUNT

Qty	1+	10+	20+	40+
Discounts	-	-10%	-17%	on request

Code	Pack	Colour	Weight	Stock	€
688853	20 pcs	yellow RAL1021	8	✓	1.68
688863	20 pcs	grey RAL7016	8	✓	1.68
688873	20 pcs	black RAL9005	8	✓	1.68

On request and subject to minimum order quantities, we can manufacture caps in the RAL colour requested by the customer./

8030

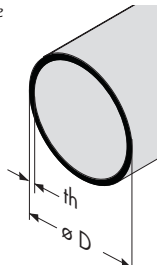
## Aluminium tube



**Use:** to construct custom-made tubular handles.

**Material:** Aluminium

**Elox:** steel-like anodizing



**Combinations**



pg.274



pg.272

**QUANTITY DISCOUNT**

Bars 3 m	1+	6+	10+	20+
Bars 6 m	1+	3+	5+	10+
Discounts	-	-10%	-17%	on request

Code	Pack bar/m	Diameter	Thickness mm	Length m	Finish	Weight Kg/mt	Stock	€ bar
625687	5 x 6 m	28±0,2	2	6	anodised 15 µm	0,44	✓	46,26
684521	5 x 3 m	30±0.2	2	3	anodised 15 µm	0.47	✓	16.29
67793	5 x 6 m	30±0.2	2	6	anodised 15 µm	0.47	✓	32.58
644037	5 x 3 m	30±0.2	2	3	ELOX 15 µm	0.47	✓	16.29
652234	5 x 6 m	30±0.2	2	6	ELOX 15 µm	0.47	✓	32.58

**Personalizations** the tubes can be supplied cut to size and bevelled (€ 3 per cut) and delivered in kits.

ILT

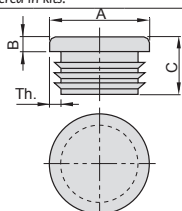
## End cap



**Use:** for tube ends closing.

**Material:** polyethylene

**Standard pack:** 200 pcs.



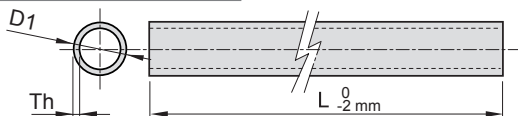
**QUANTITY DISCOUNT**

Qty	1+	6+	12+	24+
Discounts	-	-10%	-17%	on request

Code order	A Ø	Thickness mm	B mm	W mm	Finish	Weight g	Stock	€ piece
01ILT28A	28	0.8-3	5	16.5	black RAL 9005	2.94	✓	0.28
01ILT30A	30	1.0-3	5	16.5	black RAL 9005	3.44	✓	0.28

2012

## Stainless steel tube

**Use:** to construct tubular handles**Material:** AISI304 stainless steel**Combinations** 

## QUANTITY DISCOUNT

Qty	1+	3+	5+	10+
Discounts	-	-10%	-17%	on request

Code	Pack	D1 mm	Thickness mm	Finish	Weight Kg/m	Stock	€ piece
672627	3x2 m	20±0.1	1.5	polished	0.695	▪	21.89
672637	2x3 m	20±0.1	1.5	polished	0.695	▪	32.56
672647	1x6 m	20±0.1	1.5	polished	0.695	▪	54.76
641337	3x2 m	20±0.1	1.5	brushed	0.695	▪	17.30
642397	2x3 m	20±0.1	1.5	brushed	0.695	▪	25.70
642407	1x6 m	20±0.1	1.5	brushed	0.695	▪	41.10
690967	3x2 m	28±0.2	2	brushed	1.285	▪	28.30
690977	2x3 m	28±0.2	2	brushed	1.285	▪	41.94
690987	1x6 m	28±0.2	2	brushed	1.285	▪	73.27
672657	3x2 m	30±0.2	1.2	polished	0.865	▪	27.03
672667	2x3 m	30±0.2	1.2	polished	0.865	▪	39.84
641347	3x2 m	30±0.2	1.2	brushed	0.865	✓	20.20
642417	2x3 m	30±0.2	1.2	brushed	0.865	✓	29.80
639481	1x6 m	30±0.2	1.2	brushed	0.865	✓	50.60
630778	3x2 m	30±0.2	1.5	polished	1.081	▪	28.56
630788	2x3 m	30±0.2	1.5	polished	1.081	▪	42.33
630798	1x6 m	30±0.2	1.5	polished	1.081	▪	78.66

**Personalizations** the tubes can be supplied cut to size and bevelled (€ 3 per cut) and delivered in kits.

▪ **Products not in stock** minimum order 6 metres, delivery in 10 days

# 1837 Handle kit

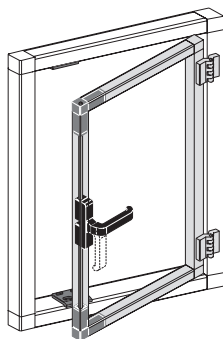
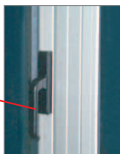
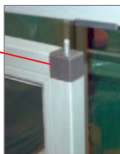
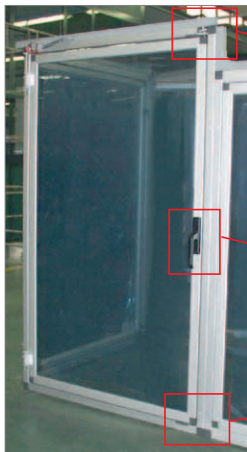


**Use:** for framework-mounted swing doors

**Characteristics:** cremone bolt into framework

**Material** handle with aluminium grip; Zama mechanism and body; Hostaform internal sheath and base; steel spring; Nylon block; aluminium rod; reinforced polyamide striker plates and joints; galvanised steel rivets.

**State of supply** complete with 1 handle, 2 blocks, 2 drilled joints type A, 2 striker plates with hole (1 RH and 1 LH), 2 rods, 4 M4 countersunk-head rivets.



**QUANTITY DISCOUNT**

Qty	1+	2+	4+	8+
Discounts	-	-10%	-17%	on request

Code	Pack	Lenght rods mm	Joint colour	Weight g	Stock	€ piece
604903	1 pcs	996	grey RAL7016	620	✓	76.92

**Customisations** rods with customised length

■ **Products not in stock** minimum order 2 pieces, delivery in 15 days.

## 2427 → Handle kit with key

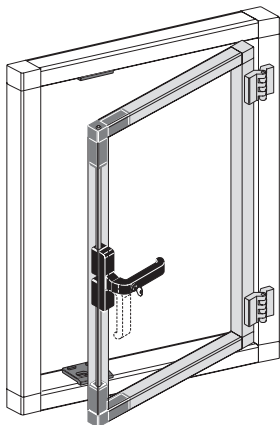


**Use:** for framework-mounted swing doors

**Characteristics:** cremona bolt into framework with safety key.

**Material** handle with aluminium grip with key, Zamak body and mechanism, Hostaform internal sheath and base, steel spring; Nylon block; aluminium rod; reinforced polyamide striker plates and joints; galvanised steel rivets.

**State of supply** complete with 1 handle, 2 blocks, 2 drilled joints type A, 2 striker plates with hole (1 RH and 1 LH) and 2 rods, 4 countersunk-head rivets.



2427 ↓



**QUANTITY DISCOUNT**

Qty	1+	2+	4+	8+
Discounts	-	-10%	-17%	on request

Code	Pack	Lenght rods mm	Joint colour	Weight g	Stock	€ piece
652074	1 pcs	996	grey RAL7016	620	▪	157.85

**Customisations** rods with customised length ▪

▪ **Products not in stock** minimum order 10 pieces, delivery in 15 days

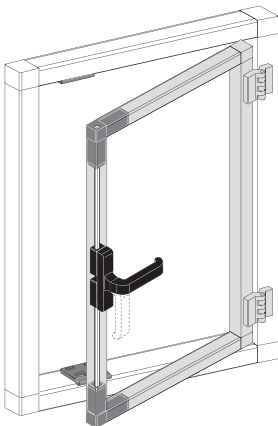
# 3818 Handle kit **FOOD**



**Use:** for framework-mounted swing doors

**Characteristics:** cremone bolt into framework  
**Material** handle with aluminium grip; Zama mechanism and body; Hostaform internal sheath and base; steel spring; Nylon block; stainless steel rod; reinforced polyamide striker plates and joints; stainless steel rivets.

**State of supply** complete with 1 handle, 2 blocks, 2 drilled joints type A, 2 striker plates with hole (1 RH and 1 LH), 2 rods with customised length, 4 M4 countersunk-head rivets.



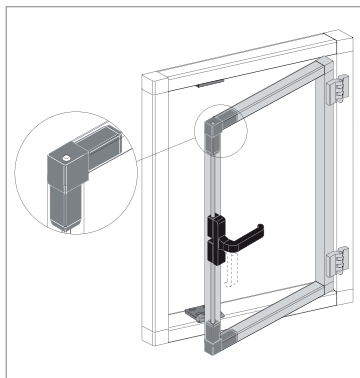
### QUANTITY DISCOUNT

Qty	10+	50+
Discounts	-	on request

Code	Pack	Joint colour	Weight g	Stock	€ pcs
621638	1 pcs	black RAL9005	1230	▪	84.92

▪ **Products not in stock** minimum order: 10 pieces, delivery in 15 days

3257

Kit with **joint and collar**

**Material** handle with aluminium grip; Zama mechanism and body; Hostaform internal sheath and base; steel spring; Nylon block; aluminium rod; reinforced polyamide striker plates and joints; galvanised steel rivets.

**State of supply** complete with 1 handle, 2 blocks, 2 drilled joints type A, 2 striker plates with hole (1 RH and 1 LH), 2 rods with customised length, 4 M4 countersunk-head rivets.

## QUANTITY DISCOUNT

Qty	1+	2+	4+	8+
Discounts	-	-10%	-17%	on request

Code	Pack	Colour	Weight g	Stock	€ piece
664695	1 pcs	grey RAL7016	640	✓	79.27

# 1848 With latch for sliding doors

Aluminium

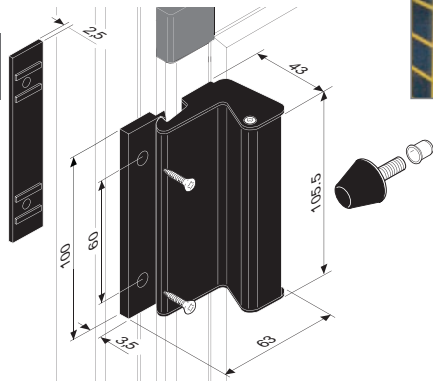


for sliding doors

**Use:** for application on sliding doors to obtain both coupling to the framework and door opening.

**Material:** black anodised aluminium handle; burnished steel screws; galvanised steel spring and rivet; polyamide end caps and striker plate; rubber pad.

**State of supply:** complete with 2 end caps, 2 striker plates, 6 3.9x13 self-threading screws; 2 3.9x19 self-threading screws, 1 doorstop; 1 M6 rivet.



### QUANTITY DISCOUNT

Qty	1+	6+	12+	24+
Discounts	-	-10%	-17%	on request

Code	Pack	Colour	Weight	Stock	€
609803	12 pcs	black RAL9005	g 185	✓	piece 18.17

# 2950 Tubular handle Pharma



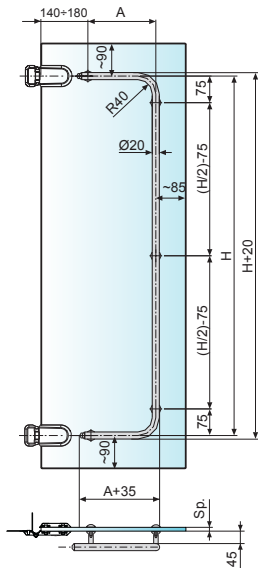
**Use:** applicable on self-supporting doors (without external framework) made of glass or polycarbonate panels. Ideal for the pharmaceutical sector.

**Not suitable for glass doors.**

**Material** AISI 304 stainless steel.

**State of supply** complete with 5 welded pins and 5 fastening buttons, Part 2948.

**Warning:** the temperature change due to pin welding may lead to a slight deformation which may affect the plastic sheet. This type of imperfection is not to be considered as a material defect but a consequence of the production process.



### QUANTITY DISCOUNT

Qty	1+	2+	4+	8+
Discounts	-	-10%	-17%	on request

Code	Pack	Thickness	A	H	Finish	Weight	Stock	Price
		mm						
689595	1 pcs	5÷12	207.5	1100	polished	1.50	■	445.38
689625	1 pcs	5÷12	282.5	1100	polished	1.60	■	446.63
689645	1 pcs	5÷12	325	1100	polished	1.66	■	447.34
689655	1 pcs	5÷12	380	1100	polished	1.74	■	448.25
616166	1 pcs	5÷12	415	1100	polished	1.78	■	448.86

on request, and subject to the quantities involved, we can manufacture made-to-measure handles for our customers.

■ **Products not in stock** minimum order: 1 piece, delivery in 20 days

# 4095 Tubular handle with integrated hinges Pharma



**Use:** applicable on self-supporting doors (without external framework) made of glass or polycarbonate panels. Ideal for the pharmaceutical sector.

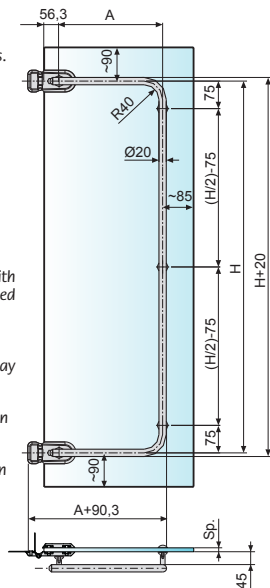
**Not suitable for glass doors.**

**Material** AISI 304 stainless steel.

**Characteristics:** the handle and the hinges are one single body that acts as frame, so that the panel thickness is unimportant for purposes of door rigidity.

**State of supply** complete with 2 incorporated hinges, 5 welded pins and 5 fastening buttons, part 2948.

**Warning:** the temperature change due to pin welding may lead to slight deformations which may affect the plastic sheet. This type of imperfection is not to be considered as a material defect but as a consequence of the production process.



## QUANTITY DISCOUNT

Qty	1+	2+	4+	8+
Discounts	-	-10%	-17%	on request

Code	Pack	Thickness	A	H	Finish	Weight	Stock	Price
		mm	mm	mm		Kg		€
621547	1 pcs	6÷8	351.4	1100	polished	2.38	■	652.06
621557	1 pcs	6÷8	401.4	1100	polished	2.45	■	652.70
621577	1 pcs	6÷8	443.9	1100	polished	2.51	■	653.40
621587	1 pcs	6÷8	498.9	1100	polished	2.59	■	654.34
621597	1 pcs	6÷8	553.9	1100	polished	2.67	■	655.80

on request, and subject to the quantities involved, we can manufacture made-to-measure handles for our customers.

■ **Products not in stock** minimum order: 1 piece, delivery in 20 days

3848

with round shaft **Ø20 Pharma**

Stainless steel

Combinations 

Use: suitable for fitting on single swing doors. If fitted on double swing doors, we recommend that you fit the handles at different heights in order to avoid accidentally knocking the fingers against each other when the doors are opened or closed.

**It can be used on control panels, where it may be fitted both to the side (Fig.1) as well as to the front.**

**Material** AISI 303 and 304 stainless steel.

**State of supply** 1 handle ready for use with M8 nuts and bolts, 2 elastomer gaskets.



Fig. 1

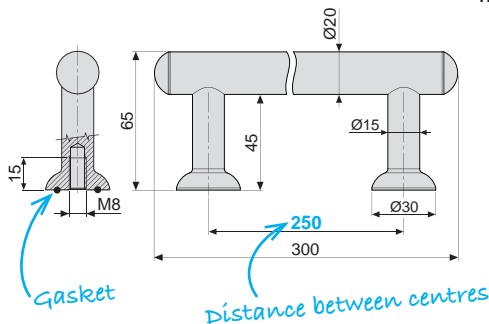


Fig. 2

QUANTITY DISCOUNT

Qty	2+	4+	10+	20+
Discounts	-	-10%	-15%	on request

Code	Pack	Finish	Weight	Stock	€
637698	2 pcs	polished	390 g	▪	65.00 piece

▪ **Products not in stock** minimum order: 10 pieces, delivery in 15 days

# 4118 **Weldable** ball end piece

Stainless steel



weldable

**Characteristics:** ball end cap for tube  $\varnothing 20$  thickness 1.5.

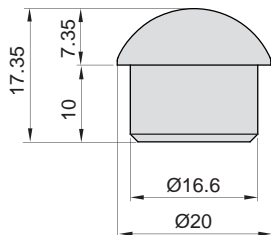
**Material:** AISI 303 stainless steel



Combinations 



pg.278



### QUANTITY DISCOUNT

Qty	2+	4+	8+	16+
Discounts	-	-10%	-17%	on request

Code	Pack	Finish	Weight	Stock	€
			g		piece
672707	1 pcs	polished	10	✓	13,18

## 2949 Pin with **weldable** fastening button



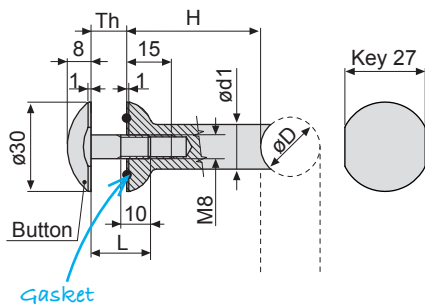
**Use:** weldable on 20Ø tubes to fit handles on polycarbonate doors, suitable for applications in the pharmaceutical sector.

**Not suitable for glass doors.**

**Material** AISI 303 stainless steel

**State of supply:** complete with fastening button and elastomer gasket.

**Combinations** 



### QUANTITY DISCOUNT

Qty	2+	4+	8+	16+
Discounts	-	-10%	-17%	on request

Code	Pack	Ø D	Ø d1	L	H	Thick- ness	Finish	Weight	Stock	€
		mm	mm	mm	mm	mm		g	Stock	piece
673147	1 pcs	20	15	18.5	45	10÷12	polished	30	✓	38.46
672687	1 pcs	30	20	18.5	20	10÷12	microball-blasted	40	▪	38.46
672697	1 pcs	30	20	18.5	30	10÷12	microball-blasted	40	▪	38.46

▪ **Products not in stock** minimum order: 2 pieces, delivery in 15 days

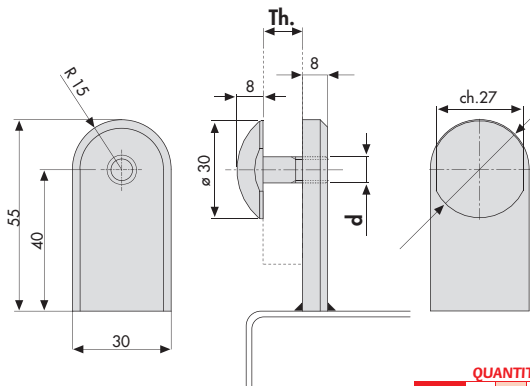
# 2956 Weldable fastening plate



**Use:** weldable on tubular frames, to secure fixed panels; suitable for applications in the pharmaceutical sector.

**Material:** AISI 303 stainless steel

### Combinations



### QUANTITY DISCOUNT

Qty	4+	8+	16+	24+
Discounts	-	-10%	-17%	on request

Code	Pack	d	Thickness:	Finish	Weight	Stock	€
					g		piece
629247	4 pcs	M8	12	polished			53.00

▪ **Products not in stock** minimum order: 4 pieces, delivery in 15 days

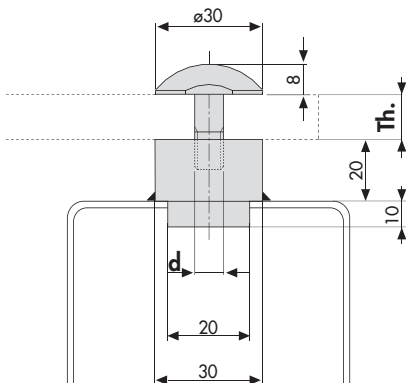
2958

Weldable **spacer pin**

**Use:** weldable on square tubes to fasten fixed panels and construct top covering panels; suitable for applications in the pharmaceutical sector.

**Material:** AISI 303 stainless steel.

Combinations 



## QUANTITY DISCOUNT

Qty	4+	8+	16+	24+
Discounts	-	-10%	-17%	on request

Code	Pack	d	Thickness:	Finish	Weight	Stock	€
691085	4 pcs	M8	12	polished	g	▪	51.19

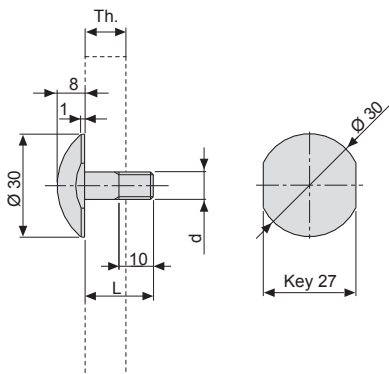
▪ **Products not in stock** minimum order: 4 pieces, delivery in 15 days

# 2948 Pharma panel fastening button



**Use:** for fastening in general on polycarbonate panels; thanks to the convex shape of the button, it is particularly suitable for applications in the pharmaceutical sector.

**Material** AISI 303 stainless steel.



### QUANTITY DISCOUNT

Qty	4+	8+	16+	24+
Discounts	-	-10%	-17%	on request

Code	Pack	d	Thickness.	L	Finish	Weight g	Stock	€ piece
689275	4 pcs	M8	10÷12	18,5	polished	30	■	15,98

■ **Products not in stock** minimum order: 4 pieces, delivery in 15 days

# 2653 Threaded button



**Use:** handle couplings secured directly on the buffer.

**Material** polyamide button reinforced with brass insert, PVC gasket.

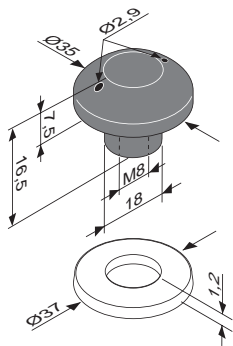
### Combinations



pg.274



pg.272



Code	Pack	Finish	Weight	Stock	€
			g		piece
600445	1 pcs	grey RAL 7016	17	▪	4.15

▪ **Products not in stock** minimum order: 1 piece, delivery in 15 days



# Accessories for doors: closing components

FOOD



PACK



End-stops

---

5 p.296



Snap and magnet type doorstop

---

5 p.302



Safety locks

---

5 p.323



Gas struts

---

5 p.337



End-stop and spacers

---

5 p.345



## WARNINGS

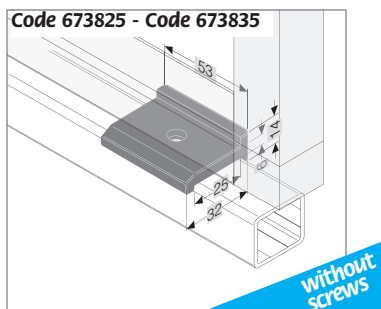
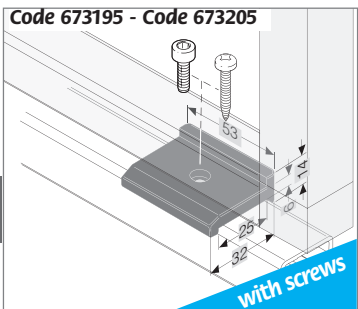
Only the Italian version of this catalogue is to be understood as the original version. Bett Sistemi shall not be held liable for any translation or transcription errors. The information contained in this catalogue is exclusively meant for component description purposes and shall not be understood as a statement made by Bett Sistemi regarding a specific characteristic of the component or its suitability for a specific use. The data provided **shall not relieve the customers from their responsibility to evaluate, check and consequently use any and all components.** All information is based on the data available at the time of publishing and is not binding. Bett Sistemi shall not be held liable for any incomplete or wrong information, and for any damage which may arise in connection with such information. The products may be modified at any time without prior notice, **we therefore recommend that you always check the product updates on the website [www.bettsistemi.com](http://www.bettsistemi.com)**

## 2932 Plate for door alignment



**Use:** to support and position doors.

**Material** End-stop in reinforced polyamide, nuts and bolts in stainless steel AISI 304.



**State of supply** complete with 1 3.9x19 self-threading screw and 1 M4x10 socket head screw.

## QUANTITY DISCOUNT

Qty	1+	6+	12+	24+
Discounts	-	-10%	-17%	on request

Code	Pack	Nuts and bolts	Colour	Weight	Stock	€
				g		piece
673825	240 pcs	no	black RAL9005	20	✓	2.10
673835	240 pcs	no	grey RAL7016	20	✓	2.10
673195	12 pcs	yes	black RAL9005	23	✓	2.53
673205	12 pcs	yes	grey RAL7016	23	✓	2.53

## 1119 Plate with ball joint

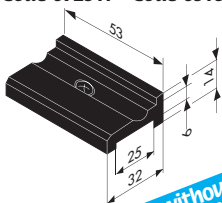


for ball joint

**Use:** in combination with joint with ball presser, Part 1121, to support and position doors.

**Material** End-stop in reinforced polyamide, nuts and bolts in stainless steel AISI 304.

Code 672911 - Code 691802



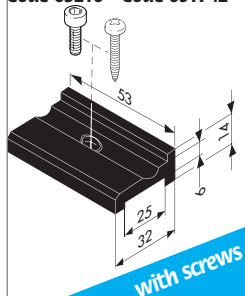
without screws

Combinations



Pg.141

Code 65216 - Code 691742



with screws

**State of supply** complete with 1 3.9x19 self-threading screw and 1 M4x10 socket head screw .



QUANTITY DISCOUNT

Qty	1+	6+	12+	24+
Discounts	-	-10%	-17%	on request

Code	Pack	Nuts and bolts	Colour	Weight	Stock	€
				g		piece
672911	240 pcs	no	black RAL9005	20	▪	3.23
691802	240 pcs	no	grey RAL7016	20	▪	3.23
65216	12 pcs	yes	black RAL9005	23	✓	3.88
691742	12 pcs	yes	grey RAL7016	23	▪	3.88

▪ **Products not in stock** minimum order: 240 pieces, delivery in 15 days

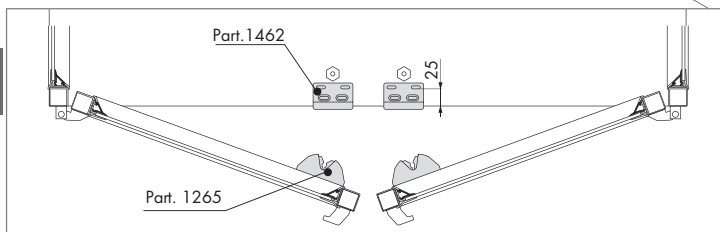
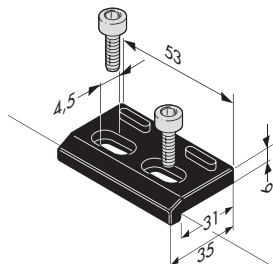
# 1462 Plate for door alignment



**Use:** to support and position doors fitted in a sheet or tubular framework larger than 25 mm; to be used in combination with the V-latch (Part 1265).

**Material** End-stop in reinforced polyamide, stainless steel screws, nuts and bolts.

**State of supply** complete with 2 3.9 X 13 mm self-threading screws and 2 M4 X10 socket head screws.



### QUANTITY DISCOUNT

Qty	1+	6+	12+	24+
Discounts	-	-10%	-17%	on request

Code	Pack	Colour	Weight	Stock	€
			g		piece
628222	12 pcs	black RAL9005	20	✓	3.46
691932	12 pcs	grey RAL7016	20	✓	3.46

2470

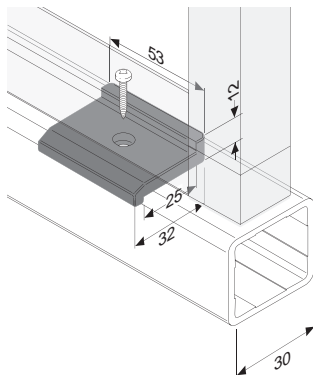
## Plate with striker end stop



**Use:** to support and position doors.

**Material** End-stop in reinforced polyamide, nuts and bolts in stainless steel AISI 304.

**State of supply** complete with 1 AUT.T.CR. 3.9x19 screw in stainless steel.

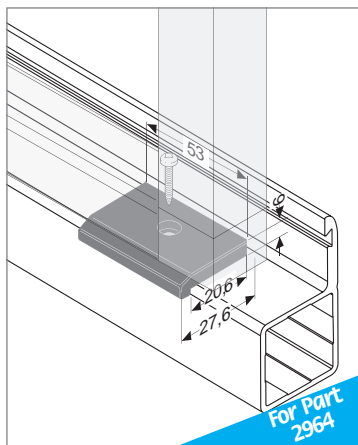


## QUANTITY DISCOUNT

Qty	1+	6+	12+	24+
Discounts	-	-10%	-17%	on request

Code	Pack	Colour	Weight	Stock	€
			g		piece
667283	12 pcs	grey RAL7016	20	✓	3.46

## 3060 Striker plate



**Use:** in combination with the fixed finned profile (Part 2964) to support and position the doors.

**Material** End-stop in reinforced polyamide, stainless steel screws, nuts and bolts.

**State of supply** complete with 1 self-threading screw with cross-type head, 3.9x19; 1 striker plate.

### QUANTITY DISCOUNT

Qty	1+	6+	12+	24+
Discounts	-	-10%	-17%	on request

Code	Pack	Colour	Weight	Stock	€
			g		piece
616836	12 pcs	grey RAL7016	19	✓	3.46

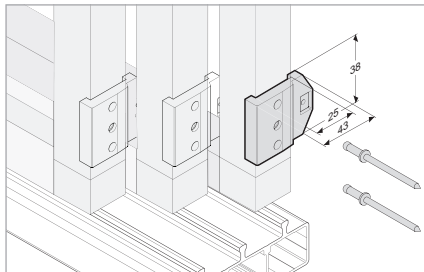
# 2903 Return end-stop for sliding doors



**Use:** to move sliding doors.

**Material** End-stop in reinforced polyamide, rivets in aluminium.

**State of supply** complete with 2 4x12 tear-off rivets.



**QUANTITY DISCOUNT**

<b>Qty</b>	1+	6+	12+	24+
<b>Discounts</b>	-	-10%	-17%	on request

Code	Pack	Colour	Weight	Stock	€
			g		piece
627373	12 pcs	black RAL9005	20	✓	3.64

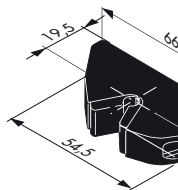
## 1265 → V-shaped with snap release



**Use:** to lock doors.

**Material** latch in polyacetal

Cod.610742 - 691812



**THIS PRODUCT  
HAS BEEN UPDATED!**

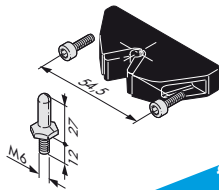
Download the  
Web Novelties



**State of supply** V-shaped latch without screw and without nuts and bolts.

Cod.698601 - 691822

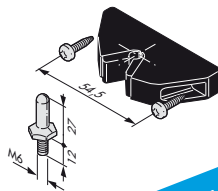
**Type A**



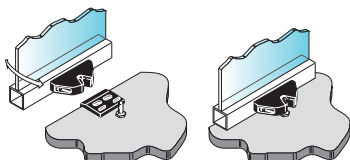
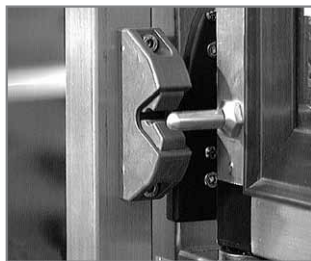
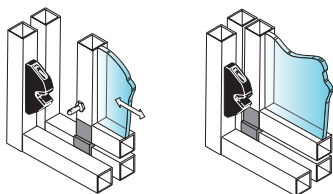
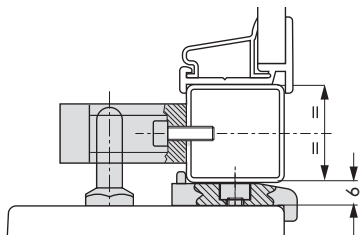
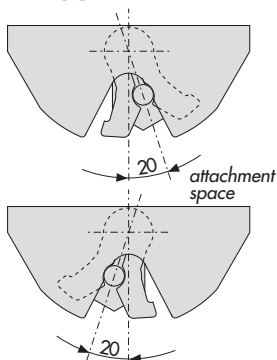
**State of supply** V-shaped latch complete with 1 M6 striker pin and 2 M4x16 socket head screws in stainless steel.

Cod.698611 - 691842

**Type B**



**State of supply** V-shaped latch complete with 1 striker pin and 2 3.9x19 self-threading screws in stainless steel.

**↓1265**

**QUANTITY DISCOUNT**

Qty	1+	6+	12+	24+
Discounts	-	-10%	-17%	on request

Code	Pack	Nuts and Bolts	Opening force N	Colour	Weight g	Stock	€ piece
610742	12 pcs	no	40	black RAL9005	17	✓	5.03
691812	12 pcs	no	40	grey RAL7016	17	✓	2.85
698601	12 pcs	Type A	40	black RAL9005	31	✓	7.96
691822	12 pcs	Type A	40	grey RAL7016	31	✓	7.96
698611	12 pcs	Type B	40	black RAL9005	31	✓	7.96
691842	12 pcs	Type B	40	grey RAL7016	31	✓	7.96

## 1281 → **V-shaped** with snap release



**Use:** to be used on aluminium tubes for applications on double swing doors when 2 latches need to be fitted (one at the top and one at the bottom) on each door, to obtain the same opening force as for a single door (which is equipped with only one latch behind the handle).

**Material:** latch in black polyacetal, striker plate in black reinforced polyamide, nuts and bolts in stainless steel.

Code 698621 - 691862



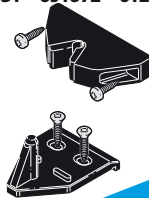
**THIS PRODUCT  
HAS BEEN UPDATED!**

Download the  
Web Novelties



**State of supply** V-shaped latch complete with 1 striker plate with pin, 2 M4x16 socket head screws, 2 M4x10 socket head screws.

Code 698631 - 691872 - 612553 **Type B**



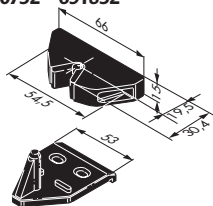
for tube  
in aluminium

**State of supply** 1 V-latch, 1 striker plate with pin, 2 3.9x13 self-threading screws, 2 3.9x19 self-threading screws.

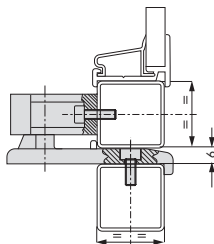
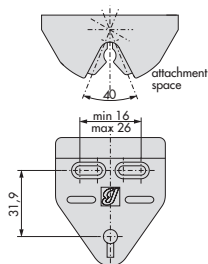
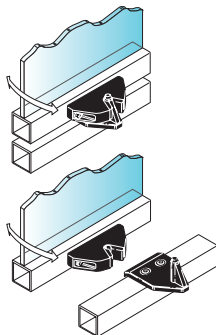


## ↓ 1281

Cod.690752 - 691852



State of supply without nuts and bolts.



### QUANTITY DISCOUNT

Qty	1+	6+	12+	24+
Discounts	-	-10%	-17%	on request

Code	Pack	Nuts and Bolts	Opening force N	Colour	Weight g	Stock	€ piece
610752	12 pcs	no	40	black RAL9005	36	✓	5.17
691852	12 pcs	no	40	grey RAL7016	36	✓	5.52
698621	12 pcs	Type A	40	black RAL9005	44	✓	6.85
691862	12 pcs	Type A	40	grey RAL7016	36	✓	6.85
631632	12 pcs	Type A	80	black RAL9005	36	✓	6.85
698631	12 pcs	Type B	40	black RAL9005	36	✓	6.85
691872	12 pcs	Type B	40	grey RAL7016	36	✓	6.85
612553	12 pcs	Type B	80	grey RAL7016	36	✓	6.85

## 1378 → With manual unlocking

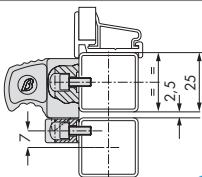
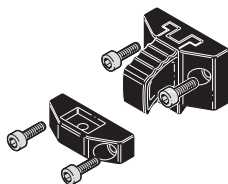


**Use:** to ensure proper door locking. Versions suitable for Robomec profiles or 25x25 mm tubes.

**Material** latch and striker plate in black reinforced polyamide, nuts and bolts in stainless steel.

Code 605362

Type A

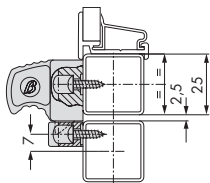
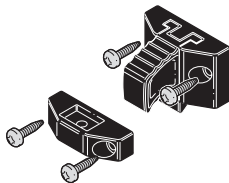


for tube  
in steel

**State of supply** latch complete with striker plate, 4 M4 X10 hexagon head screws.

Code 605372

Type B

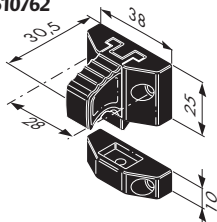


for tube  
in aluminium

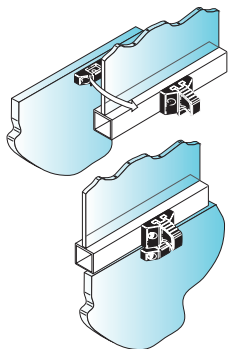
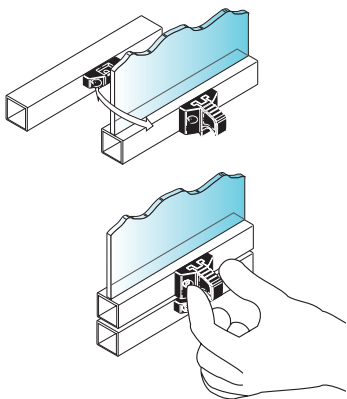
**State of supply** latch complete with striker plate, 4 3.9 x 19 self-threading screws.

↓1378

Code 610762



State of supply without nuts and bolts.



## QUANTITY DISCOUNT

Qty	1+	6+	12+	24+
Discounts	-	-10%	-17%	on request

Code	Pack	Nuts and Bolts	Colour	Weight g	Stock	€ piece
610762	12 pcs	no	black RAL9005	20	✓	6.55
605362	12 pcs	Type A	black RAL9005	29	✓	6.69
605372	12 pcs	Type B	black RAL9005	29	✓	6.69

## 1263 → With manual release



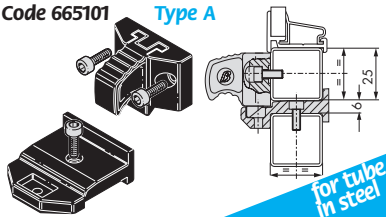
**Use:** to ensure proper locking of doors with manual unlocking.

**Characteristics:** if using this latch you will not need to fit a handle on the door; it is opened by lifting the catch and if it is violently closed without being accompanied, this latch prevents reopening by recoil.

**Material** black reinforced polyamide latch and striker plate, stainless steel nuts and bolts, stainless steel spring.

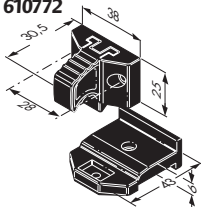
spring

Code 665101 **Type A**



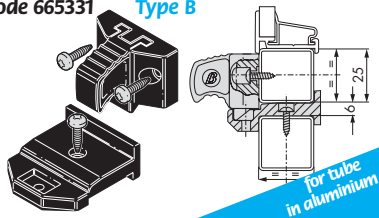
**State of supply** complete with 3 M4x10 socket head screws in stainless steel.

Code 610772



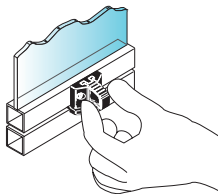
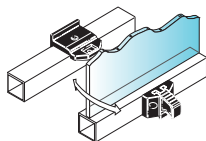
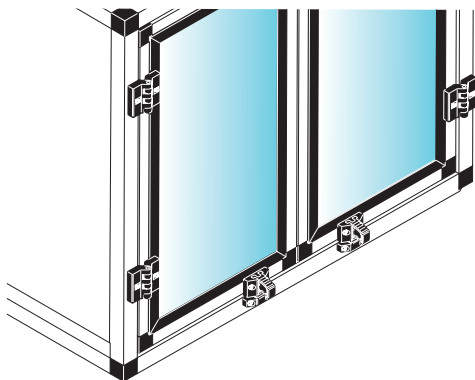
**State of supply** without nuts and bolts.

Code 665331 **Type B**



**State of supply** complete with 3 3.9x13 self-threading screws in stainless steel.

↓ 1263



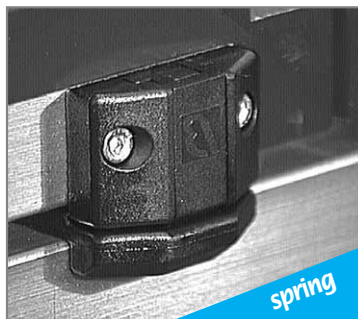
## QUANTITY DISCOUNT

Qty	1+	6+	12+	24+
Discounts	-	-10%	-17%	on request

Code	Pack	Nuts and Bolts	Colour	Weight g	Stock	€ piece
610772	12 pcs	no	black RAL9005	20	✓	6.55
665101	12 pcs	Type A	black RAL9005	29	✓	6.69
665331	12 pcs	Type B	black RAL9005	29	✓	6.69

▪ **Products not in stock** minimum order: 1000 pieces, delivery in 15 days

## 1264 → With snap release



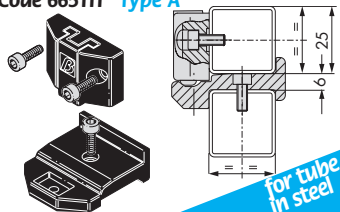
spring

**Use:** to lock swing doors with minimal protrusion and pull opening.

**Characteristics:** if using this latch, you will need to fit a handle on the door.

**Material:** black reinforced polyamide latch and striker plate.

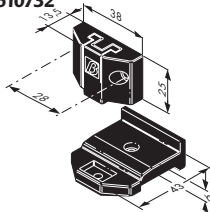
### Code 665111 Type A



for tube in steel

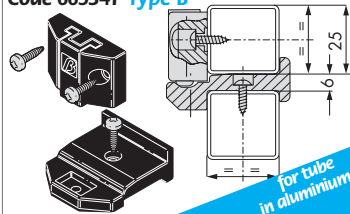
**State of supply:** complete with 3 M4x10 socket head screws in stainless steel.

### Code 610732



**State of supply:** without nuts and bolts.

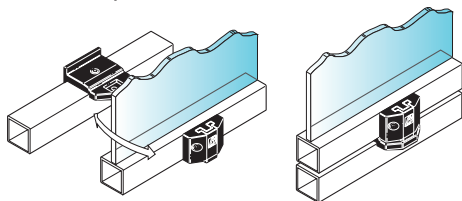
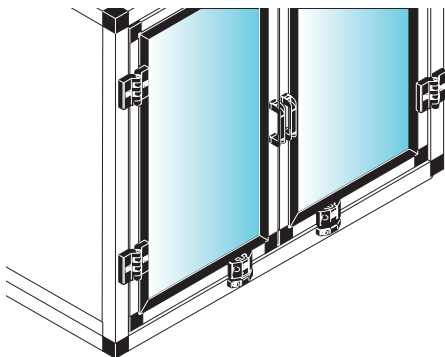
### Code 665341 Type B



for tube in aluminium

**State of supply:** complete with 3 3.9x13 self-threading screws in stainless steel.

↓ 1264


**QUANTITY DISCOUNT**

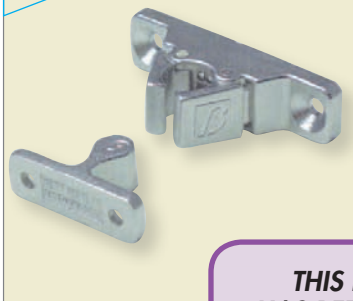
Qty	1+	6+	12+	24+
Discounts	-	-10%	-17%	on request

Code	Pack	Nuts and Bolts	Colour	Weight g	Stock	€ piece
610732	12 pcs	no	black RAL9005	30	▪	6.55
665111	12 pcs	Type A	black RAL9005	33	✓	6.69
665341	12 pcs	Type B	black RAL9005	33	✓	6.69

▪ **Products not in stock** minimum order: 12 pieces, delivery in 5 days

## 2544 V-shaped stainless steel with snap release

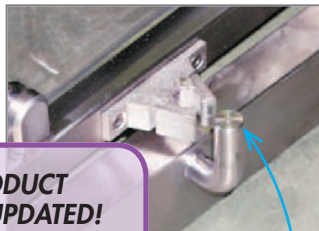
Stainless steel



**Use:** suitable for highly aggressive environments.

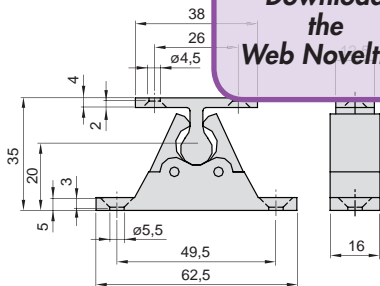
**Material:** AISI 316 stainless steel, spring in stainless steel for springs.

**State of supply:** preassembled latch with spring and striker plate.



**THIS PRODUCT HAS BEEN UPDATED!**

Download the Web Novelties



Using a  $\phi 12$ mm pin as alternative to the plate provided, the opening force is increased to 30N.

### QUANTITY DISCOUNT

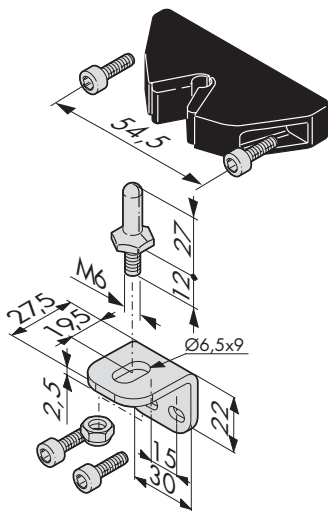
Qty	1+	5+	10+	20+
Discounts	-	-10%	-17%	on request

Code	Pack	Opening force	Finish	Weight	Stock	€
615068	10 pcs	20 N	microball-blasting	86 g	✓	35.54 piece

■ **Products not in stock** minimum order: 10 pieces, delivery in 10 days

1666

## V-shaped with snap release

**Use:** to lock doors.**Characteristics:** always use in pairs on one door (1 at the top and 1 at the bottom).**Material** latch in polyacetal, nuts and bolts, mount and striker pin in stainless steel.**State of supply** v-latch complete with 1 striker pin, 1 pin mount, 4 M4x16 socket head screws; 1 M6 self-locking hexagon nut.

## QUANTITY DISCOUNT

Qty	1+	6+	12+	24+
Discounts	-	-10%	-17%	on request

Code	Pack	Opening force	Colour	Weight	Stock	€
		N		g		piece
669742	12 pcs	30	black RAL9005	74	✓	13.15

# 1333 Spring latch with snap release

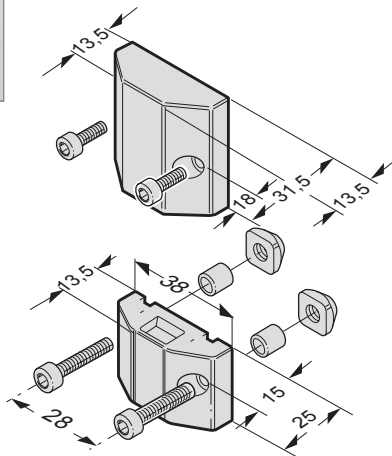


**Use:** to lock swing doors with minimal protrusion and pull opening. To be used when you do not want the striker plate to stand out on the fixed frame.

**Material** stainless steel spring, latch and striker plate in black reinforced polyamide, screws in stainless steel.

**Characteristics:** fitting this latch, you need to fit a handle.

**State of supply** complete with striker plate, 2 M4x10 screws, 2 M4x18 screws, 2 square nuts, 2 spacers.



### QUANTITY DISCOUNT

Qty	1+	6+	12+	24+
Discounts	-	-10%	-17%	on request

Code	Pack	Opening force N	Colour	Weight g	Stock	€ piece
691781	12 pcs	65	black RAL9005	45	✓	7.66
627823	12 pcs	65	grey RAL7016	45	✓	7.66

1777

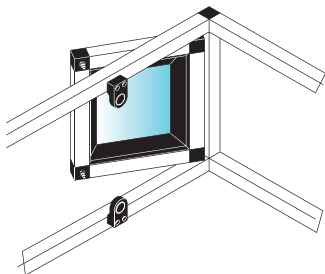
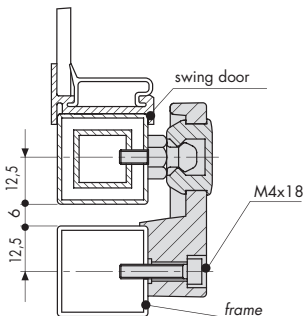
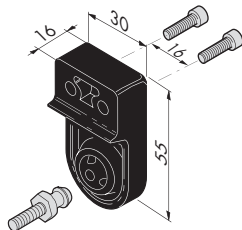
## With clip for swing doors



**Use:** for door closing.

**Material** Reinforced polyamide mount; clip in grey thermoplastic rubber, nuts and bolts in stainless steel AISI304.

**State of supply** complete with clip, 1 threaded M4 pin, 2 M4x18 socket head screws, 2 3.9x19 self-threading screws.



## QUANTITY DISCOUNT

Qty	1+	6+	12+	24+
Discounts	-	-10%	-17%	on request

Code	Pack	Opening force	Colour	Weight	Stock	€
		N		g		piece
692362	12 pcs	70	black RAL9005	34	▪	5.91
692372	12 pcs	70	grey RAL7016	34	▪	5.91

▪ **Products not in stock** minimum order: 12 pieces, delivery in 5 days

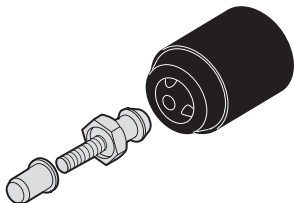
# 1177 With embedded clip for sliding doors



**Use:** to close sliding doors.

**Material** polyethylene mount; clip in thermoplastic rubber; nuts and bolts in stainless steel AISI 304.

**State of supply** complete with 1 mount, 1 clip, 1 M4 threaded pin, 1 pin, 1 threaded insert.



### QUANTITY DISCOUNT

Qty	1+	6+	12+	24+
Discounts	-	-10%	-17%	on request

Code	Pack	Weight g	Stock	€ piece
637271	12 pcs	17	✓	9.67

4657

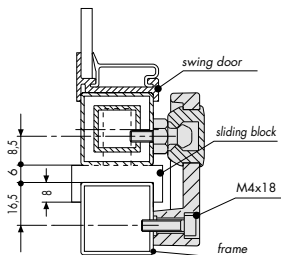
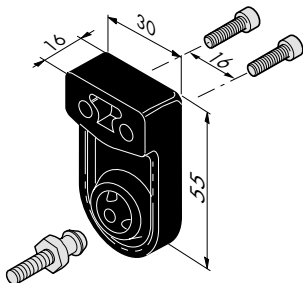
## With clip for folding doors



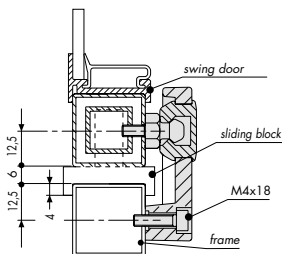
Use: for door closing.

**Material** polyethylene mount; clip in grey thermoplastic rubber; nuts and bolts in stainless steel AISI 304.

**State of supply** complete with clip, 1 threaded M4 pin, 2 M4x18 socket head screws, 2 3.9x19 self-threading screws.



Assembly on folding doors with 8 mm fulcrum



Assembly on folding doors with 4 mm fulcrum

## QUANTITY DISCOUNT

Qty	1+	6+	12+	24+
Discounts	-	-10%	-17%	on request

Code	Pack	Colour	Weight	Stock	€
			g		piece
692442	12 pcs	black RAL9005	34	✓	7.68
692452	12 pcs	grey RAL7016	34	✓	7.68

## 1146 → With magnet

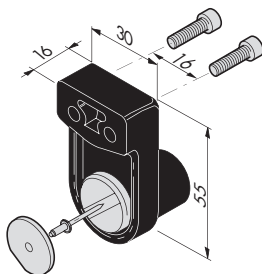


fixed magnet

**Use:** for closing sliding doors.

**Material** Reinforced polyamide mount; black polyamide magnet seat; nuts and bolts, magnet holding rings and tear-off rivet in stainless steel.

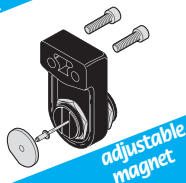
**State of supply** complete with 1 counter plate, 2 3.9x19 mm self-threading screws, 2 M4x18 socket head screws, 1 tear-off rivet, 2 magnet holding rings.



Code 692502 - 692512



polyamide seat



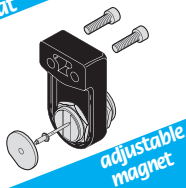
adjustable magnet

**State of supply** black polyamide magnet seat; 2 nuts in nickel-plated brass.

Code 692482 - 692492



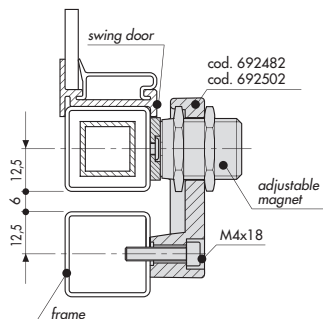
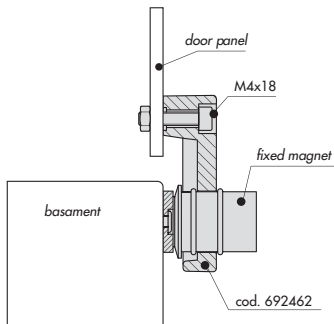
brass seat



adjustable magnet

**State of supply** magnet seat and 2 nuts in nickel-plated brass.

↓ 1146



**QUANTITY DISCOUNT**

Qty	1+	6+	12+	24+
Discounts	-	-10%	-17%	on request

Code	Pack	Attraction force N	Colour	Weight g	Stock	€ piece
692462	12 pcs	49.05	black RAL9005	62	✓	8.14
692472	12 pcs	49.05	grey RAL7016	62	▪	8.14
692502	12 pcs	49.05	black RAL9005	66	✓	8.64
692512	12 pcs	49.05	grey RAL7016	66	▪	8.64
692482	12 pcs	49.05	black RAL9005	78	✓	9.66
692492	12 pcs	49.05	grey RAL7016	78	✓	9.66

▪ **Products not in stock** minimum order: 1000 pieces, delivery in 20 days.

## 1777 → With magnet

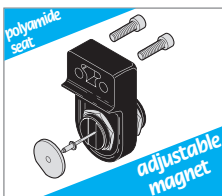
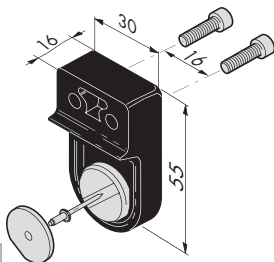


fixed magnet

**Use:** for door closing.

**Material** Reinforced polyamide mount; black polyamide magnet seat; nuts and bolts, magnet holding rings and tear-off rivet in stainless steel.

**State of supply** complete with 1 counter plate, 2 3.9x19 mm self-threading screws, 2 M4x18 socket head screws, 1 tear-off rivet, 2 magnet holding rings.

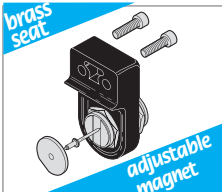


polyamide seat

adjustable magnet

**State of supply** black polyamide magnet seat; 2 nuts in nickel-plated brass.

Code 692412-692422 with nuts and bolts  
Code 698412-697872 without nuts and bolts

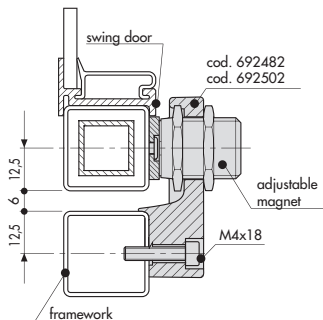
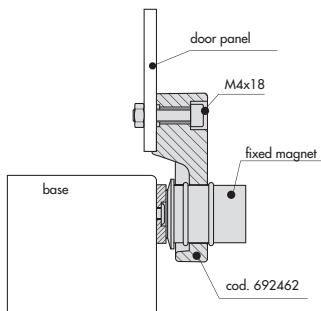


brass seat

adjustable magnet

**State of supply** magnet seat and 2 nuts in nickel-plated brass.

Code 692402-686212 with nuts and bolts  
Code 698272-697882 without nuts and bolts

**↓1777**

**QUANTITY DISCOUNT**

Qty	1+	6+	12+	24+
Discounts	-	-10%	-17%	on request

Code	Pack	Attraction force N	Colour	Weight g	Stock	€
						piece
692382	12 pcs	49.05	black RAL9005	62	▪	7.75
692392	12 pcs	49.05	grey RAL7016	62	▪	7.75
692412	12 pcs	49.05	black RAL9005	73	▪	8.23
692422	12 pcs	49.05	grey RAL7016	73	▪	8.23
692402	12 pcs	49.05	black RAL9005	78	▪	9.20
686212	12 pcs	49.05	grey RAL7016	78	▪	9.20
698272	12 pcs	49.05	grey RAL7016	70	▪	8.16
697882	12 pcs	49.05	grey RAL7032	70	▪	8.16
698412	12 pcs	49.05	grey RAL7016	58	▪	8.16
697872	12 pcs	49.05	grey RAL7032	58	▪	8.16

▪ **Products not in stock** minimum order: 12 pieces, delivery in 5 days.

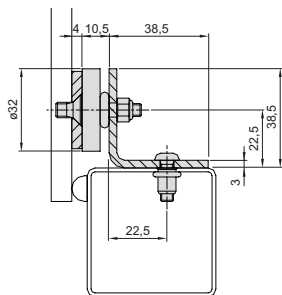
## 2323 With magnet



**Use:** to lock self-supporting glass swing doors.

**Material** support and nuts and bolts in AISI 304 stainless steel, magnet and contrast plate in nickel-plated steel, elastomer O-ring.

**State of supply** 1 counter plate, 1 O-ring, 2 M5x16 hexagon socket recessed pan head screws, 2 threaded inserts, 1 self-locking hexagon nut.



QUANTITY DISCOUNT				
Qty	1+	6+	12+	24+
Discounts	-	-10%	-17%	on request

Code	Pack	Attraction force	Weight	Stock	€
		N	g		piece
651824	12 pcs	50	110	■	18.29

■ **Products not in stock** minimum order: 12 pieces, delivery in 20 days.

845

## With key and locking lever



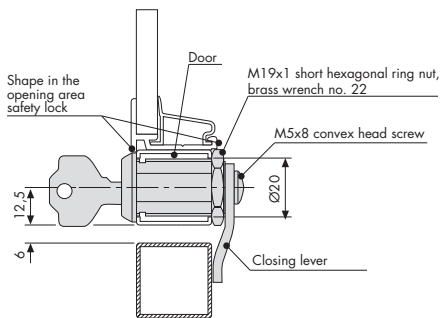
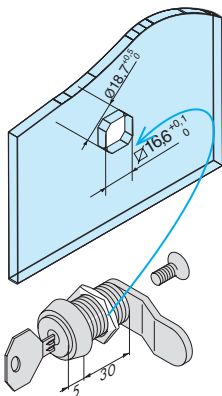
**Use:** key lock for swing doors. Always use in combination with a doorstop, a latch or a striker plate.

**Material** brass lock and ring nut, nickel-plated brass key, front cover, closing lever and screw in AISI 304 stainless steel.

**State of supply** complete with 1 closing lever, 1 M5x8 convex head screw, 1 M19x1 short hexagonal ring nut.

**Commodity**

These are useful products obtained from the mechanical processing of other standard products.

**QUANTITY DISCOUNT**

Qty	1+	10+	20+	40+
Discounts	-	-10%	-17%	on request

Code	Pack	Weight	Stock	€
		g		piece
611542	20 pcs	85.5	▪	26.42

▪ **Products not in stock** minimum order: 20 pieces, delivery in 20 days.

## 1217 For sliding doors

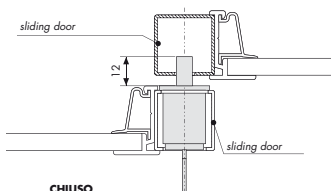
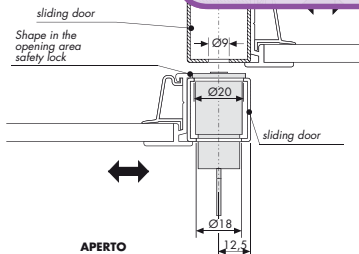
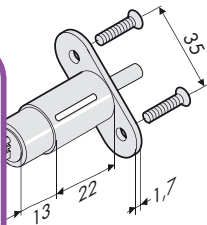
**Use:** caps with key for sliding doors.

**State of supply** 1 lock with unique combination, 2 M4x16 countersunk head screws.



**THIS PRODUCT  
HAS BEEN UPDATED!**

Download the  
Web Novelties



**QUANTITY DISCOUNT**

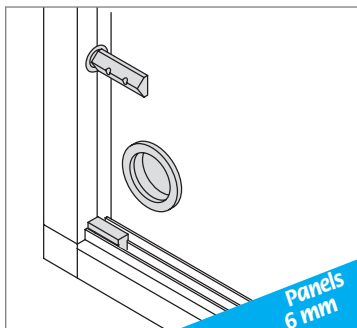
Qty	1+	10+	20+	40+
Discounts	-	-10%	-17%	on request

Code	Pack	Key	L	Weight	Stock	€
			mm	g		piece
657861	20 pcs	single	22	55	▪	14.71

▪ **Products not in stock** minimum order: 20 pieces, delivery in 15 days.

1148

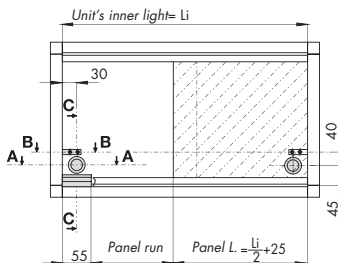
## Lock and end-stop kit



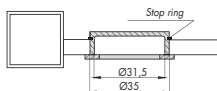
**Use:** for sliding panel closing.

**Material** handle in nickel-plated brass; stop ring, screws and reinforcement sheet in stainless steel AISI 304; End-stop striker plate and clip holder in polyethylene; clip in grey thermoplastic rubber, pin in stainless steel AISI 316.

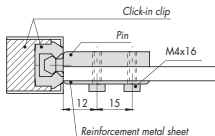
**State of supply** 2 handles, 2 stop rings, 2 embedded clips, 2 pins, 4 M4x16 socket head screws, 2 panel striker plate end-stops. 2 M4x30 socket head screws, 2 reinforcement metal sheets.



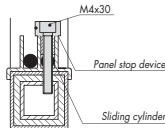
Handle installation diagram - Section A - A



Clip-doorstop installation diagram - Section B - B



Stop installation diagram - Section C - C



## QUANTITY DISCOUNT

Qty	1+	2+	4+	8+
Discounts	-	-10%	-17%	on request

Code	Pack	Weight	Stock	€
66539	1 pcs	g 180	✓	piece 119.07

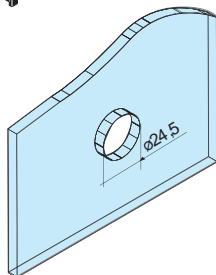
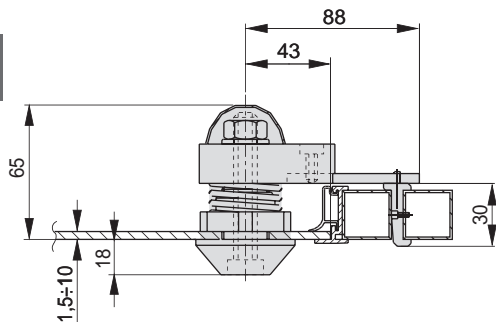
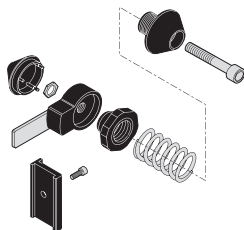
## 1122 Mechanical parts for 50x50 tube



**Use:** recommended for locking large-sized doors, when you do not want to use the safety switch.

**Material** lock body, end cap and doorstop in reinforced polyamide; spring, nuts and bolts and end plate in AISI 304 stainless steel.

**State of supply** complete with 1 end-stop and 3 M4x10 socket head screws, 1 3.9x19 screw; 1 closing plate, 1 M12x60 screw, 1 M12 nut, 1 3x18 pin, 1 spring.



### QUANTITY DISCOUNT

Qty	1+	5+	10+	20+
Discounts	-	-10%	-17%	on request

Code	Pack	Colour	Weight	Stock	€
			g		piece
63217	4 pcs	black RAL 9005	267	✓	27.24

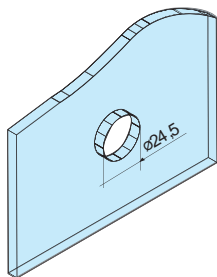
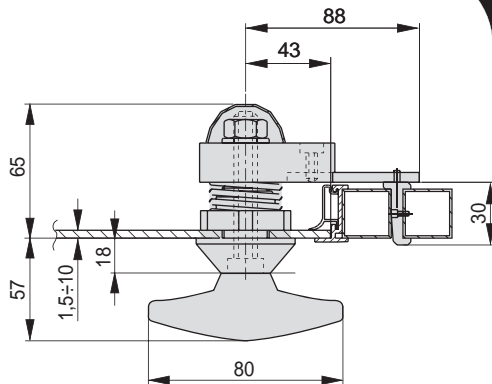
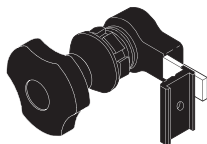
## 3711 Mechanical safety lock kit with knob



**Use:** recommended for locking large doors or doors made of mineral glass.

**Material** lock body, end cap and knob in reinforced polyamide; spring, nuts and bolts, lever rod and end plate in AISI 304 stainless steel.

**State of supply** complete with 1 end-stop and 3 M4x10 socket head screws, 1 3.9x19 screw; 1 closing plate, 1 knob with M12 rod, 1 M12 nut, 1 3x18 pin, 1 spring.



## QUANTITY DISCOUNT

Qty	1+	2+	4+	8+
Discounts	-	-10%	-17%	on request

Code	Pack	Colour	Weight	Stock	€
			g		piece
642647	4 pcs	black RAL 9005	300	▪	37.37

▪ **Products not in stock** minimum order: 4 pieces, delivery in 10 days.

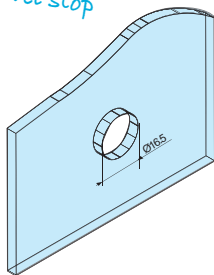
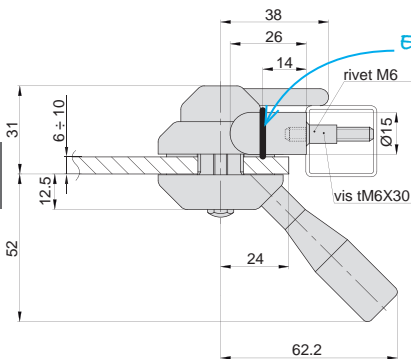
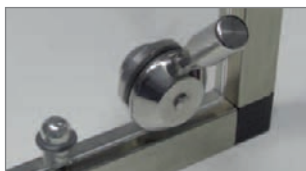
## 2136 Stainless steel lever handle **Pharma**



**Use:** recommended for locking large doors or doors made of mineral glass, *designed for application in the pharmaceutical sector.*

**Material** AISI 304 stainless steel handle and closing plate, PVC gaskets, rubber O-rings, AISI 304 stainless steel rivet and screw.

**State of supply** handle complete with 2 gaskets, 1 end-stop, 1 O-ring, 1 threaded rivet, 1 M6x30 headless screw.



### QUANTITY DISCOUNT

Qty	1+	2+	4+	8+
Discounts	-	-10%	-17%	on request

Code	Pack	Finish	Weight	Stock	€
696943	1 pcs	mirror polishing	g		piece
					326.05

▪ **Products not in stock** minimum order: 5 pieces, delivery in 20 days

2599

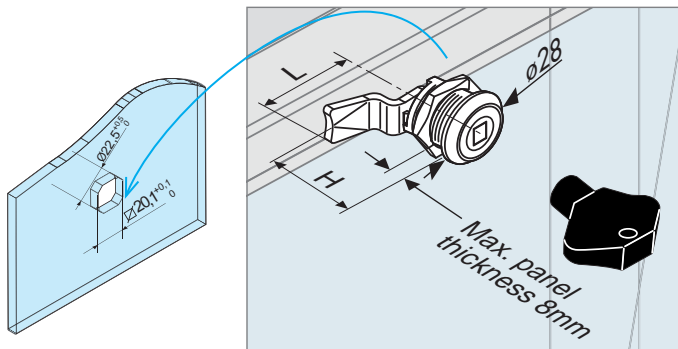
## Lock in stainless steel with key



**Use:** with panels having a max. thickness of 8 mm.

**Material:** cylinder, locking tab and tightening ring nut in AISI 304 stainless steel, key in black polyamide.

**State of supply:** code 600735 complete with key.



## QUANTITY DISCOUNT

Qty	4+	8+	16+	32+
Discounts	-	-10%	-17%	on request

Code	Pack	H	L	Key	Weight	Stock	€
							mm
600735	4 pcs	25	45	Yes	96	▪	29.29
691087	4 pcs	25	45	No	90	▪	28.37

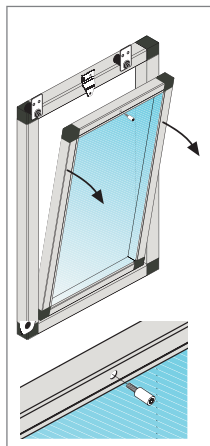
▪ **Products not in stock** minimum order: 4 pieces, delivery in 10 days

# 1858 Kit for pull-out panel with pin



**Material** reinforced polyamide joints; polyethylene ejectors; AISI 304 stainless steel plates; threaded galvanised steel pins and inserts; stainless steel nuts and bolts.

**State of supply** kit complete with 1 drilled joint type A (RH); 1 drilled joint type A (LH); 2 plates complete with spring ejector; 4 M4 threaded countersunk-head rivets; 4 M4x16 socket head screws; Two 4.8x19 self-threading pan head screws 2 Ø pins, 1 M6 pin; 1 M6 pin fixing plate.



### QUANTITY DISCOUNT

Qty	1+	2+	4+	8+
Discounts	-	-10%	-17%	on request

Code	Pack	Colour	Weight	Stock	€
			g		piece
611833	1 pcs	Grey RAL7016	204	▪	46.25

▪ **Products not in stock** minimum order: 1 pieces, delivery in 5 days.

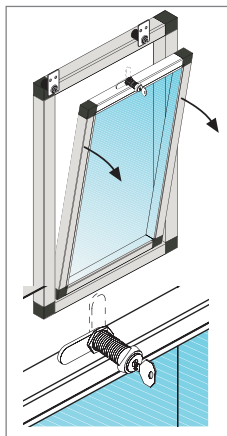
PACK

# 1859 Kit for pull-out panel with key



**Material** reinforced polyamide joints; polyethylene ejectors; AISI 304 stainless steel plates; threaded galvanised steel pins and inserts; stainless steel nuts and bolts.

**State of supply** kit complete with 1 drilled joint type A (RH); 1 drilled joint type A (LH); 2 plates complete with spring ejector; 4 M4 threaded countersunk-head rivets; 4 M4x16 socket head screws; 2 80 pins, 1 key lock.



## QUANTITY DISCOUNT

Qty	1+	2+	4+	8+
Discounts	-	-10%	-17%	on request

Code	Pack	Colour	Weight	Stock	€
			g		piece
611843	1 pcs	Grey RAL7016	242	▪	62.40

▪ **Products not in stock** minimum order: 1 pieces, delivery in 20 days.



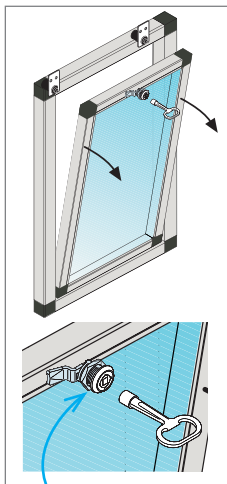
## 1860 Kit for panel with special key

Lock body  
in Zamak



**Material** reinforced polyamide joints; polyethylene ejectors; AISI 304 stainless steel plates; threaded galvanised steel pins and inserts; stainless steel screws, lock with Zamak body.

**State of supply** kit complete with 1 drilled joint type A (RH); 1 drilled joint type A (LH); 2 plates complete with spring ejector; 6 M4 threaded countersunk-head rivets, 6 M4x16 socket head screws. 2 8ø pins, 1 lock with special key, 1 55x30x3 plate.



Zamak

QUANTITY DISCOUNT

Qty	1+	2+	4+	8+
Discounts	-	-10%	-17%	on request

Code	Pack	Colour	Weight	Stock	€
611853	1 pcs	Grey RAL7016	g 316	▪	piece 61.90

▪ **Products not in stock** minimum order: 1 pieces, delivery in 5 days.

PACK

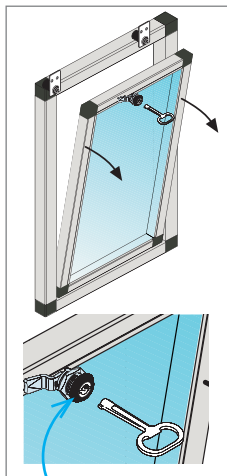
4147 

## Kit for panel with special key

lock body in  
POLYAMIDE

**Material** reinforced polyamide joints; polyethylene ejectors; AISI 304 stainless steel plates; threaded galvanised steel pins and inserts; stainless steel screws, lock with polyamide body.

**State of supply** kit complete with 1 drilled joint type A (RH); 1 drilled joint type A (LH); 2 plates complete with spring ejector; 6 M4 threaded countersunk-head rivets, 6 M4x16 socket head screws, 2 8ø pins, 1 lock with special key, 1 55x30x3 plate.



Polyamide

QUANTITY DISCOUNT

Qty	1+	2+	4+	8+
Discounts	-	-10%	-17%	on request

Code	Pack	Colour	Weight	Stock	€
			g		piece
611863	1 pcs	Grey RAL7016	290	✓	58.41

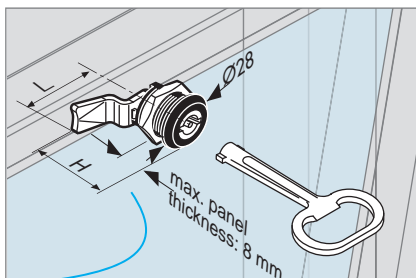
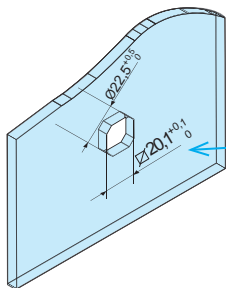
## 1845 Special key lock



**Use:** with panels having a max. thickness of 8 mm.

**Material** black polyamide cylinder, locking tab and tightening ring nut in galvanised steel

**State of supply** complete with key.



### QUANTITY DISCOUNT

Qty	1+	15+	30+	60+
Discounts	-	-10%	-17%	on request

Code	Pack	H mm	L mm	Weight g	Stock	€ piece
605223	30 pcs	30	45	105	✓	7.12
616706	30 pcs	25	45	105	▪	6.08

▪ **Products not in stock** minimum order: 30 pieces, delivery in 20 days.

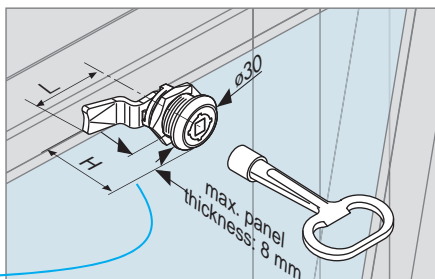
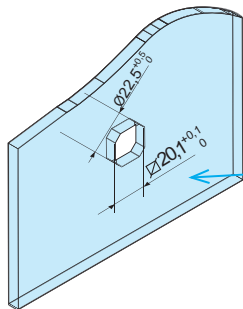
# 1844 Key lock



**Use:** with panels having a max. thickness of 8 mm.

**Material** Chrome-plated Zamak cylinder, locking tab and tightening ring nut in galvanised steel.

**State of supply** complete with key.



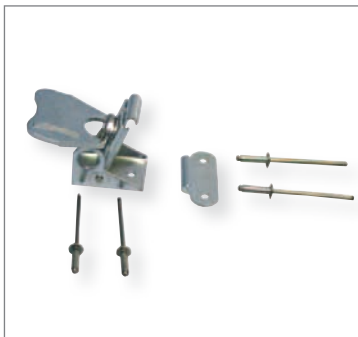
**QUANTITY DISCOUNT**

Qty	1+	15+	30+	60+
Discounts	-	-10%	-17%	on request

Code	Pack	H	L	Weight	Stock	€
		mm	mm	g		piece
605213	30 pcs	30	45	200	✓	10.44
616716	30 pcs	25	45	200	▪	8.35

▪ **Products not in stock** minimum order: 30 pieces, delivery in 20 days.

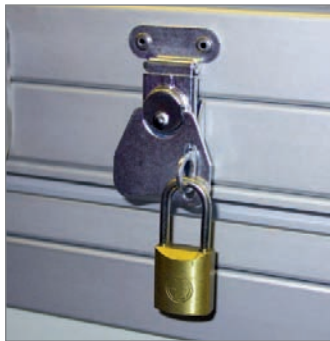
## 2328 Padlockable lock



**Use:** when needing to lock doors or panels with a padlock.

**Material** galvanised steel lock and latch; stainless steel tear-off rivets.

**State of supply** 1 padlockable lock, 1 striker plate for lock, 4 3.2x12 tear-off rivets.



### QUANTITY DISCOUNT

Qty	1+	2+	4+	8+
Discounts	-	-10%	-17%	on request

Code	Pack	Finish	Weight	Stock	€
651844	1 pcs	galvanised	65 g	▪	11.42 piece

▪ **Products not in stock** minimum order: 10 pieces, delivery in 10 days.

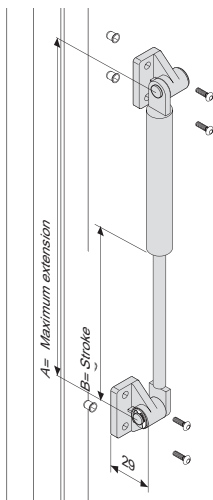
# 1734 Gas strut kit



**Use:** to facilitate door opening and closing.

**Material** movable and fixed section mount in polyamide with pin in galvanised steel; gas strut in painted steel.

**State of supply** 1 prefitted gas strut with 1 fixed section mount and 1 movable section mount



**QUANTITY DISCOUNT**

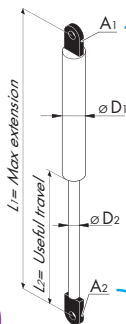
Qty	1+	2+	4+	8+
Discounts	-	-10%	-17%	on request

Code	Pack	A	B	Colour	Load	Tolerance	Stock	Prezzo/€
		mm	mm		N	N		piece
691652	4 pcs	500	200	grey RAL7016	392.4	+40/-20	✓	23.74
691612	4 pcs	355	130	grey RAL7016	245.3	±20	✓	23.74
686502	4 pcs	500	200	grey RAL7039	392.4	+40/-20	✓	23.74
686492	4 pcs	355	130	grey RAL7039	245.3	±20	✓	23.74

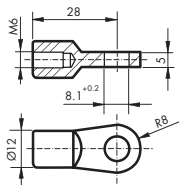
# 1442 → Gas strut



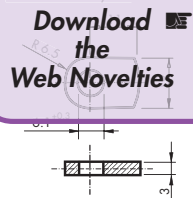
**Material** painted steel.



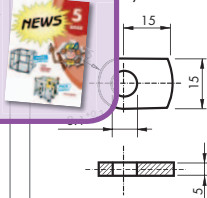
Coupling type **a**  
with screwed-on eyelet



Coupling type **b**  
with welded eyelet



Coupling type **c**  
with welded eyelet



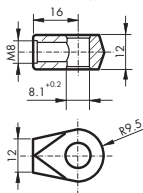
**THIS PRODUCT HAS BEEN UPDATED!**

Download the Web Novelties

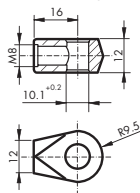


TYPES OF COUPLING

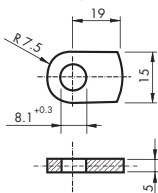
Coupling type **d**  
with screwed-on eyelet



Coupling type **e**  
with screwed-on eyelet



Coupling type **f**  
with welded eyelet



→ 1442 →

QUANTITY DISCOUNT

Qty	1+	2+	4+	8+
Discounts	-	-10%	-17%	on request

Code	Pack	L1	L2	D1	D2	A1	A2	Load	Tolerance	Stock	€ piece
		mm	mm	Ø	Ø			N	N		
682024	1 pcs	178	60	15	6	b	b	100	±20	■	13.03
682034	1 pcs	178	60	15	6	b	b	200	±20	■	13.03
681984	1 pcs	178	60	15	6	b	b	350	+40/-20	■	13.03
682004	1 pcs	225	90	15	6	b	b	50	±10	■	13.86
681994	1 pcs	225	90	15	6	b	b	100	±20	✓	13.86
682014	1 pcs	229	80	18.5	8	f	c	100	±20	✓	14.46
671392	1 pcs	257	90	18.5	8	f	c	200	±20	■	14.78
651203	1 pcs	257	90	18.5	8	f	c	300	+40/-20	■	14.78
681954	1 pcs	257	95	18.5	8	f	c	400	+40/-20	■	14.78
681964	1 pcs	257	95	18.5	8	f	c	450	+40/-20	■	14.78
681894	1 pcs	257	95	18.5	8	f	c	500	+40/-20	✓	14.78
681974	1 pcs	257	95	18.5	8	f	c	100	±20	✓	14.78
681934	1 pcs	257	95	18.5	8	f	c	250	±20	■	14.78
681944	1 pcs	257	95	18.5	8	f	c	350	+40/-20	✓	14.82
683113	1 pcs	297	110	18.5	8	f	c	120	±20	■	15.26
681904	1 pcs	297	110	18.5	8	f	c	200	±20	✓	15.26
681854	1 pcs	297	110	18.5	8	f	c	350	+40/-20	■	15.26
681864	1 pcs	297	110	18.5	8	f	c	400	+40/-20	■	15.26
681924	1 pcs	297	110	18.5	8	f	c	600	+40/-20	■	15.26
681874	1 pcs	305	115	15	6	b	b	300	+40/-20	✓	14.14
681884	1 pcs	323	125	22	10	c	c	500	+40/-20	■	20.42
671382	1 pcs	355	130	18.5	8	f	c	300	+40/-20	✓	16.69
625202	1 pcs	355	138	18.5	8	f	c	250	±20	✓	16.69
681794	1 pcs	355	138	18.5	8	f	c	350	+40/-20	✓	16.69
681814	1 pcs	355	138	18.5	8	f	c	450	+40/-20	✓	16.69
681824	1 pcs	355	138	18.5	8	f	c	500	+40/-20	✓	16.69
681844	1 pcs	355	138	18.5	8	f	c	200	±20	■	16.69
681804	1 pcs	355	138	18.5	8	f	c	400	+40/-20	✓	16.69
681834	1 pcs	355	138	18.5	8	f	c	600	+40/-20	■	16.69
681764	1 pcs	405	174	18.5	8	c	c	300	+40/-20	■	16.69
681774	1 pcs	405	174	18.5	8	c	c	300	+40/-20	■	16.69
681784	1 pcs	405	174	18.5	8	c	c	300	+40/-20	■	16.69
671372	1 pcs	405	174	18.5	8	c	c	350	+40/-20	■	16.69
681684	1 pcs	405	174	18.5	8	c	c	150	±20	■	16.69
681704	1 pcs	444	181	18.5	8	f	c	250	±20	✓	16.69



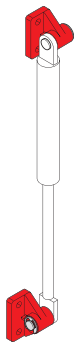
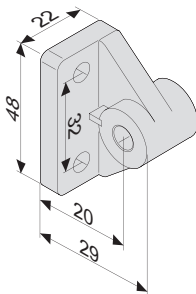
 1442

Code	Pack	L1 mm	L2 mm	D1 Ø	D2 Ø	A1	A2	Load N	Tolerance N	Stock	€ piece
681714	1 pcs	444	181	18.5	8	f	c	300	+40/-20	✓	16.69
681724	1 pcs	444	181	18.5	8	f	c	350	+40/-20	✓	16.69
681734	1 pcs	444	181	18.5	8	f	c	400	+40/-20	✓	16.69
681744	1 pcs	444	181	18.5	8	f	c	500	+40/-20	▪	16.69
651243	1 pcs	444	181	18.5	8	f	c	100	±20	▪	16.69
611713	1 pcs	444	181	18.5	8	f	c	200	±20	▪	16.69
681674	1 pc	444	181	18.5	8	f	c	450	+40/-20	▪	16.69
651233	1 pcs	483	200	18.5	8	c	c	200	±20	✓	17.72
651253	1 pcs	483	200	18.5	8	c	c	250	±20	▪	17.72
681664	1 pcs	483	200	18.5	8	c	c	300	+40/-20	✓	17.72
681654	1 pcs	483	200	18.5	8	c	c	400	+40/-20	✓	17.72
625192	1 pcs	500	212	18.5	8	f	c	400	+40/-20	✓	17.72
681644	1 pcs	500	212	18.5	8	f	c	250	±20	✓	17.72
671402	1 pcs	500	210	18.5	8	f	c	350	+40/-20	▪	17.72
683923	1 pcs	500	200	18.5	8	f	c	600	+40/-20	▪	17.72
651223	1 pcs	500	212	18.5	8	f	c	800	+40/-20	▪	17.72
671422	1 pcs	500	200	18.5	8	f	c	500	+40/-20	▪	17.72
681604	1 pcs	500	212	18.5	8	f	c	300	+40/-20	✓	17.72
681614	1 pcs	500	212	18.5	8	f	c	450	+40/-20	▪	17.72
681634	1 pcs	550	234	18.5	8	f	f	600	+40/-20	▪	18.27
651263	1 pcs	600	262	18.5	8	c	a	200	±20	▪	18.27
681584	1 pcs	600	262	18.5	8	c	a	300	+40/-20	✓	18.27
681594	1 pcs	600	262	18.5	8	c	a	400	+40/-20	✓	18.27
681554	1 pcs	600	262	18.5	8	c	a	450	+40/-20	▪	18.27
681564	1 pcs	600	262	18.5	8	c	a	500	+40/-20	▪	18.27
651273	1 pcs	600	262	18.5	8	c	a	250	±20	▪	18.27
671412	1 pcs	600	262	18.5	8	c	a	360	+40/-20	▪	18.27
681574	1 pcs	600	262	18.5	8	c	a	600	+40/-20	▪	18.27
651213	1 pcs	683	300	22	10	c	c	300	+40/-20	▪	25.94
671432	1 pcs	683	300	22	10	c	c	500	+40/-20	▪	25.94
602373	1 pcs	700	300	22	10	d	d	400	+40/-20	✓	25.94
681544	1 pcs	700	300	22	10	d	d	450	+40/-20	▪	25.94
681534	1 pcs	875	400	22	10	e	e	600	+40/-20	✓	28.87

▪ **Products not in stock** minimum order: 4 pieces, delivery in 5 days.

# 1626 Mount for gas strut

**Material** polyamide.



**QUANTITY DISCOUNT**

Qty	1+	50+	100+	200+
Discounts	-	-10%	-17%	on request

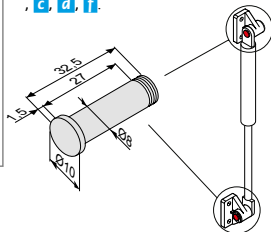
Code	Pack	Colour	Weight	Stock	€
			g		piece
664642	100 pcs	grey RAL7016	49	✓	1.02
675472	100 pcs	grey RAL7039	17	✓	1.02

## 1643 D.8 pin for gas strut



**Material** galvanized steel.

**Warning:** the support can be fitted only to gas struts with A1 and A2 couplings type **a**, **c**, **d**, **f**.



### QUANTITY DISCOUNT

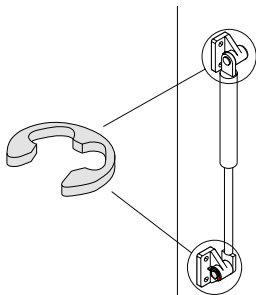
Qty	1+	50+	100+	200+
Discounts	-	-10%	-17%	on request

Code	Pack	Finish	Weight	Stock	€
675562	100 pcs	galvanised	13 g	✓	1.74 piece

## 1644 Safety grommet



**Material** stainless steel.



### QUANTITY DISCOUNT

Qty	1+	50+	100+	200+
Discounts	-	-10%	-17%	on request

Code	Pack	Finish	Weight	Stock	€
675572	100 pcs	galvanised	3 g	✓	0.14 piece

## 1945 Mount for gas strut

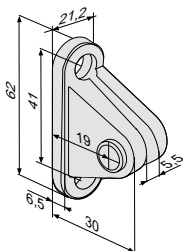


**Use:** it is used to connect the gas strut to the movable part of the door.

**Material** mount in polyamide, pin in galvanised steel, nuts and bolts and stop ring in stainless steel AISI304.

**State of supply** 1 mount, 1 pin, 2 M4X16 socket head screws, 2 M6 threaded inserts, 1 stop ring.

**Warning:** the support can be fitted only to gas struts with A1 and A2 couplings type [a](#), [c](#), [d](#), [f](#).



## QUANTITY DISCOUNT

Qty	1+	2+	4+	8+
Discounts	-	-10%	-17%	on request

Code	Pack	Colour	Weight	Stock	€
652013	1 pcs	black RAL 9005	g 31	✓	piece 15.38

## 1946 Fixed mount for gas strut

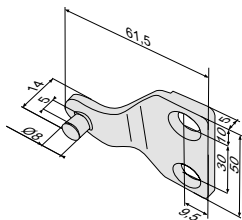


**Use:** it is used to connect the gas strut to the door framework.

**Material** Mount, nuts and bolts and stop ring in stainless steel AISI304.

**State of supply** 1 mount, 2 hexagon countersunk M4X16 screws, 2 M6 threaded inserts, 1 stop ring.

**Warning:** the support can be fitted only to gas struts with A1 and A2 couplings type [a](#), [c](#), [d](#), [f](#).



## QUANTITY DISCOUNT

Qty	1+	2+	4+	8+
Discounts	-	-10%	-17%	on request

Code	Pack	Finishing	Weight	Stock	€
652023	1 pcs	polishing	g 73	✓	piece 35.38

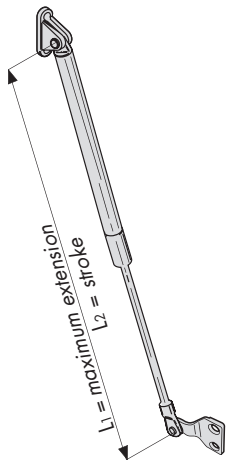
# 1133 Gas strut kit



**Use:** to facilitate door opening and closing.

**Material:** movable section mount in polyamide with pin in galvanised steel; fixed section mount, threaded inserts and screws in stainless steel AISI 304.

**State of supply:** 1 prefitted gas strut with 1 fixed section mount and 1 movable section mount, 4 threaded inserts, 1 M4x10 socket head screws, 1 M5 washer, 2 M6x16 screws TSPEI, 2 M4x16 socket head screws.



### QUANTITY DISCOUNT

Qty	1+	2+	4+	8+
Discounts	-	-10%	-17%	on request

Code	Pack	Gas strut	L1 mm	L2 mm	Load N	Tolerance N	Weight g	Stock	€
									piece
62949	2 pcs	painted steel	500	200	400	+40/-20	425	✓	57.47
62959	2 pcs	painted steel	355	130	250	±20	325	✓	57.05
62969	2 pcs	stainless steel	500	200	300	+40/-20	425	▪	171.96
62979	2 pcs	stainless steel	355	130	280	+40/-20	425	▪	157.38

▪ **Products not in stock** minimum order: 2 pieces, delivery in 20 days.

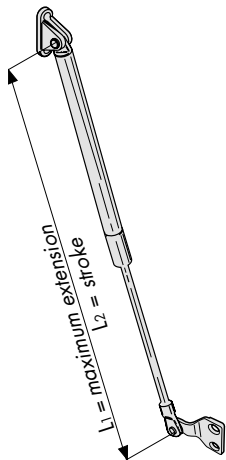
# 1133 Gas strut kit



**Use:** to facilitate door opening and closing.

**Material:** movable section mount in polyamide with pin in galvanised steel; fixed section mount, threaded inserts and screws in stainless steel AISI 304.

**State of supply:** 1 prefitted gas strut with 1 fixed section mount and 1 movable section mount, 4 threaded inserts, 1 M4x10 socket head screws, 1 M5 washer, 2 M6x16 screws TSPEI, 2 M4x16 socket head screws.



### QUANTITY DISCOUNT

Qty	1+	2+	4+	8+
Discounts	-	-10%	-17%	on request

Code	Pack	Gas strut	L1 mm	L2 mm	Load N	Tolerance N	Weight g	Stock	€
									piece
62949	2 pcs	painted steel	500	200	400	+40/-20	425	✓	57.47
62959	2 pcs	painted steel	355	130	250	±20	325	✓	57.05
62969	2 pcs	stainless steel	500	200	300	+40/-20	425	▪	366.26
62979	2 pcs	stainless steel	355	130	280	+40/-20	425	▪	303.72

▪ **Products not in stock** minimum order: 2 pieces, delivery in 20 days.

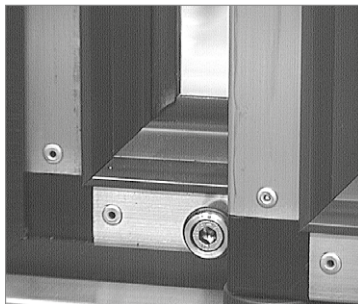
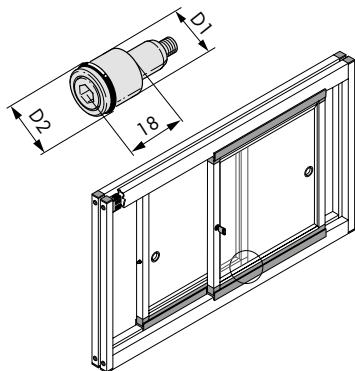
## 1227 End-of-travel stop for sliding doors



**Use:** to be used as safety end-stop, for sliding doors (to prevent finger trapping when the doors are opened).

**Material** AISI 304 stainless steel.

**State of supply** complete with 1 M6x30 screw, 1 M6 threaded insert (to rivet), 1 O-Ring.



## QUANTITY DISCOUNT

Qty	1+	10+	20+	40+
Discounts	-	-10%	-17%	on request

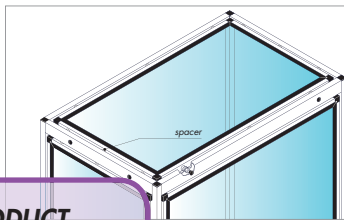
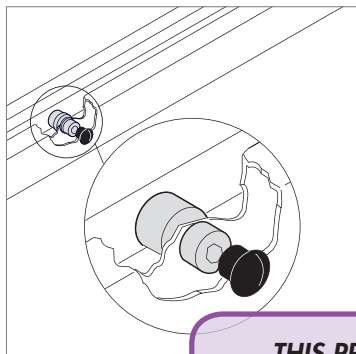
Code	Pack	D1 Ø	D2 Ø	Weight g	Stock	€ piece
658361	20 pcs	15	19.5	29	✓	5.84

## 1196 Spacer

**Use:** to be used as spacer among the tubes.

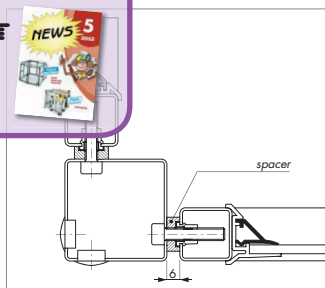
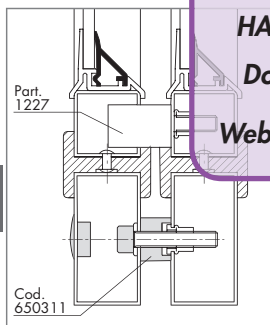
**Material:** AISI 304 stainless steel, end cap in polyethylene.

**State of supply:** complete with 1 M6x20 socket head screw, 1 threaded insert for M6, 1 end cap.



**THIS PRODUCT  
HAS BEEN UPDATED!**

Download the  
Web Novelties



### QUANTITY DISCOUNT

Qty	1+	10+	20+	40+
Discounts	-	-10%	-17%	on request

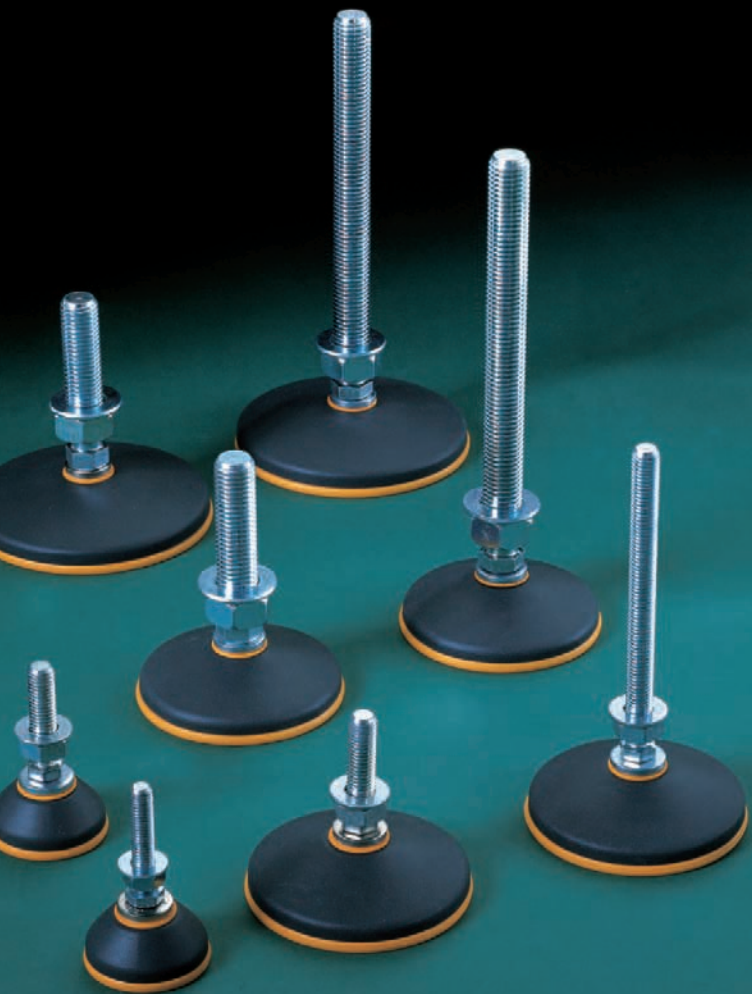
Code	Pack	Thickness mm	Weight g	Stock	€
					piece
650311	20 pcs	10	22	✓	5.13
651571	20 pcs	6	22	✓	4.56



FOOD

S.454





# Support feet

**FOOD**



**PACK**



Polyamide feet

---

5 p.351



Threaded caps

---

5 p.358



Feet with threaded caps

---

5 p.363



Steel feet

---

5 p.362



## WARNINGS

Only the Italian version of this catalogue is to be understood as the original version. Bett Sistemi shall not be held liable for any translation or transcription errors. The information contained in this catalogue is exclusively meant for component description purposes and shall not be understood as a statement made by Bett Sistemi regarding a specific characteristic of the component or its suitability for a specific use. The data provided **shall not relieve the customers from their responsibility to evaluate, check and consequently use any and all components.** All information is based on the data available at the time of publishing and is not binding. Bett Sistemi shall not be held liable for any incomplete or wrong information, and for any damage which may arise in connection with such information. The products may be modified at any time without prior notice, **we therefore recommend that you always check the product updates on the website [www.bettsistemi.com](http://www.bettsistemi.com)**

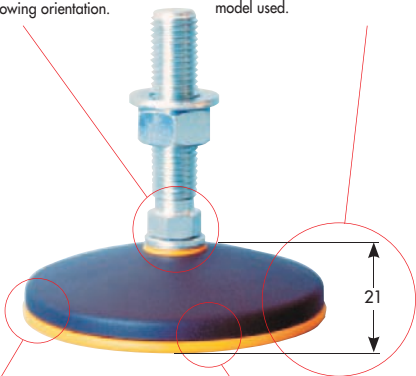


## Coupling system between the rod and the base and between the base and the vibration-damping pad

The coupling between the rod, base and anti-slip material is extremely stable; this allows the base and/or the anti-slip material to be kept in place during the various movements, yet allowing orientation.

## Standardised base height

The base height is the same for the five 21mm models; this facilitates design and application by standardising the heights of the supports, regardless of the foot model used.



## Fully sanitizable

The particular shape of the base and the anti-slip material prevent any infiltrations of fluids.

## Design

The shape and the anti-slip base colour combinations are matched with the new Bett Sistemi accessories (bridge handles, Resafon chains, etc.). This allows customisation of your product image.



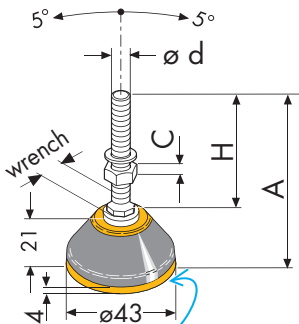
The rod inclination allows the use of these feet on floors with a maximum gradient of  $\leq 8.7\%$  (therefore above the max. gradient permitted by applicable safety regulations).

# 1445 Articulated foot Ø43



**Material** threaded rod, nut and washer see tables; base in RAL7016 grey reinforced polyamide; anti-slip material in RAL1006 yellow thermoplastic elastomer.

**State of supply** complete with nut, washer and removable anti-slip gasket.



**Combinations**



**QUANTITY DISCOUNT**

Qty	1+	12+	24+	48+
Discounts	-	-10%	-17%	on request

Code	Pack	Ø d	A	H	W	Wrench	Load	Rod	Weight	Stock	€
		mm	mm	mm	mm	mm	N		g		piece
625232	24 pcs	M8	70	40	6.5	12	3000	galvanised steel	56	✓	3.67
625252	24 pcs	M10	70	40	8	12	3000	galvanised steel	70	✓	3.98
630622	24 pcs	M10	100	70	8	12	3000	galvanised steel	87	✓	4.16
630682	24 pcs	M10	150	120	8	12	3000	galvanised steel	110	✓	4.79
630632	24 pcs	M10	100	70	8	12	3000	stainless steel	87	✓	5.89

Feet with base in black RAL 9005 colour available for each size in the table

■ **Products not in stock** minimum order: 24 pieces, delivery in 10 days.

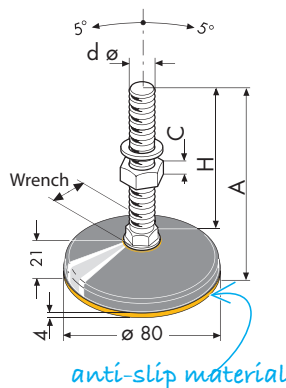
## 1501 Articulated foot Ø80



**Material** threaded rod, nut and washer see tables; base in RAL7016 grey reinforced polyamide; anti-slip material in RAL1006 yellow thermoplastic elastomer.

**State of supply** complete with nut, washer and removable anti-slip gasket.

Combinations



### QUANTITY DISCOUNT

Qty	1+	12+	24+	48+
Discounts	-	-10%	-17%	on request

Code	Pack	Ø d	A	H	W	Wrench	Load	Rod	Weight	Stock	€
		mm	mm	mm	mm	mm	N		g		piece
630652	24 pcs	M10	70	40	8	12	10000	galvanised steel	120	✓	4.39
631652	24 pcs	M10	100	70	8	12	10000	galvanised steel	137	✓	4.59
630672	24 pcs	M10	150	120	8	12	10000	galvanised steel	160	✓	5.20
654862	24 pcs	M12	180	150	10	12	10000	galvanised steel	185	✓	7.04
630662	24 pcs	M10	100	70	8	12	10000	stainless steel	137	✓	6.31

Feet with base in black RAL 9005 colour available for each size in the table

■ Products not in stock minimum order: 24 pieces, delivery in 10 days.

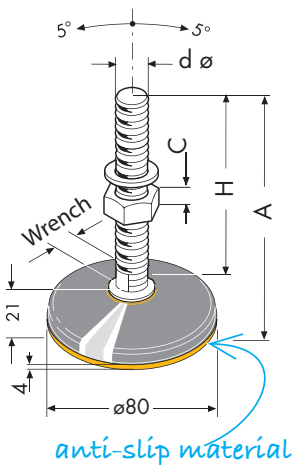
3742

## Articulated foot Ø80 low-cost



**Material** threaded rod, nut and washer see tables; base in RAL7016 grey reinforced polyamide; anti-slip material in RAL1006 yellow thermoplastic elastomer.

**State of supply** complete with nut, washer and removable anti-slip gasket.



Combinations



pg.359



pg.360



pg.361

## QUANTITY DISCOUNT

Qty	1+	12+	24+	48+
Discounts	-	-10%	-17%	on request

Code	Pack	Ø d	A	H	W	Wrench	Load	Rod	Weight	Stock	€
664317	24 pcs	M16	100	70	13	13	10000	galvanised steel	218	✓	5.40
664587	24 pcs	M16	190	160	13	13	10000	galvanised steel	333	✓	7.13
664527	24 pcs	M16	100	70	13	13	10000	stainless steel	215	✓	7.95

Feet with base in black RAL 9005 colour available for each size in the table

■ Products not in stock minimum order: 24 pieces, delivery in 10 days.

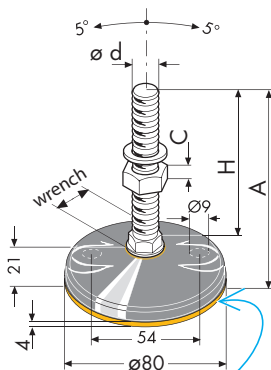
1504

# Articulated foot Ø80 for floor-mounting



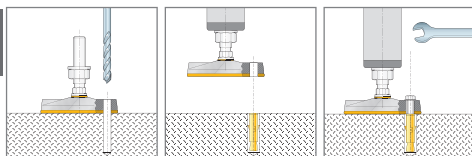
**Material** threaded rod, nut and washer see tables; base in RAL7016 grey reinforced polyamide; anti-slip material in RAL1006 yellow thermoplastic elastomer.

**State of supply** complete with nut, washer and removable anti-slip gasket.



Anti-slip material

Combinations



**QUANTITY DISCOUNT**

Qty	1+	12+	24+	48+
Discounts	-	-10%	-17%	on request

Code	Pack	Ø d	A	H	W	Wrench	Load	Rod	Weight	Stock	€
		mm	mm	mm	mm	mm	N		g		piece
639943	24 pcs	M10	100	70	8	12	10000	galvanised steel	137	✓	6.33
685342	24 pcs	M10	150	120	8	12	10000	galvanised steel	160	✓	6.53

Feet with base in black RAL 9005 colour available for each size in the table

■ **Products not in stock** minimum order: 24 pieces, delivery in 10 days.

3350

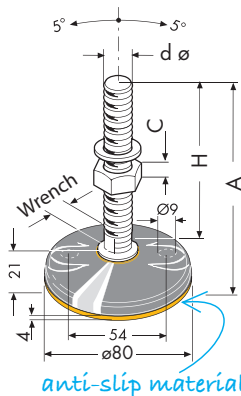
# Articulated foot Ø80 low-cost for floor-mounting

with blind holes

LOW-COST  
13

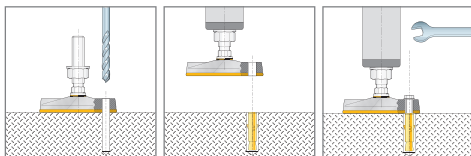
**Material** threaded rod, nut and washer see tables; base in RAL7016 grey reinforced polyamide; anti-slip material in RAL1006 yellow thermoplastic elastomer.

**State of supply** complete with nut, washer and removable anti-slip gasket.



anti-slip material

Combinations



## QUANTITY DISCOUNT

Qty	1+	12+	24+	48+
Discounts	-	-10%	-17%	on request

Code	Pack	Ø d	A	H	W	Wrench	Load	Rod	Weight	Stock	€
										mm	
615367	24 pcs	M16	100	70	13	13	10000	galvanised steel	215	✓	5.42
664627	24 pcs	M16	190	160	13	13	10000	galvanised steel	335	✓	8.08
608747	24 pcs	M16	100	70	13	13	10000	stainless steel	215	✓	7.94

Feet with base in black RAL 9005 colour available for each size in the table

■ Products not in stock minimum order: 24 pieces, delivery in 10 days.

# 3744 Articulated foot Ø100

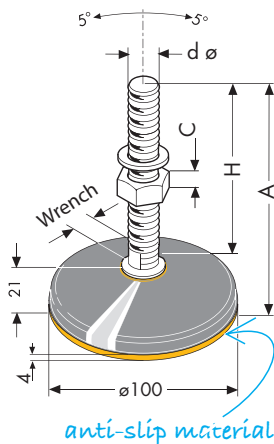


Combinations



**Material** threaded rod, nut and washer see tables; base in RAL7016 grey reinforced polyamide; anti-slip material in RAL1006 yellow thermoplastic elastomer.

**State of supply** complete with nut, washer and removable anti-slip gasket.



### QUANTITY DISCOUNT

Qty	1+	12+	24+	48+
Discounts	-	-10%	-17%	on request

Code	Pack	Ø d	A	H	W	Wrench	Load	Rod	Weight	Stock	€
		mm	mm	mm	mm	mm	N		g		piece
664667	24 pcs	M16	100	70	13	13	10000	galvanised steel	260	✓	7.70
664747	24 pcs	M16	190	160	13	13	10000	galvanised steel	375	✓	9.42
664687	24 pcs	M16	100	70	13	13	10000	stainless steel	260	✓	9.71

Feet with base in black RAL 9005 colour available for each size in the table

▪ **Products not in stock** minimum order: 24 pieces, delivery in 10 days.

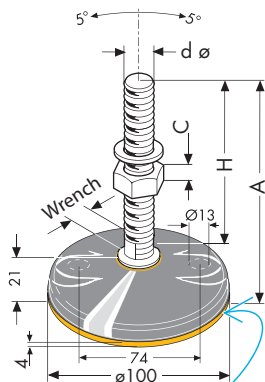
3349

**Articulated foot Ø100  
for floor-mounting**

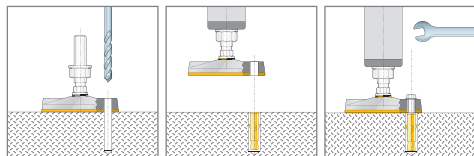


**Material** threaded rod, nut and washer see tables; base in RAL7016 grey reinforced polyamide; anti-slip material in RAL1006 yellow thermoplastic elastomer.

**State of supply** complete with nut, washer and removable anti-slip gasket.



**Combinations**



**QUANTITY DISCOUNT**

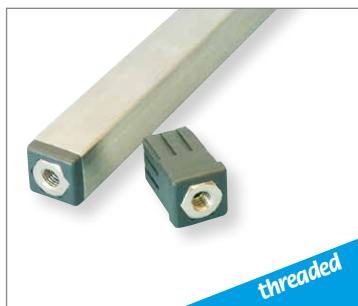
Qty	1+	12+	24+	48+
Discounts	-	-10%	-17%	on request

Code	Pack	Ø d	A	H	W	Wrench	Load	Rod	Weight	Stock	€
		mm	mm	mm	mm	mm	N		g		piece
625927	24 pcs	M16	100	70	13	13	10000	galvanised steel	260	✓	7.70
664787	24 pcs	M16	190	160	13	13	10000	galvanised steel	375	✓	9.42
608727	24 pcs	M16	100	70	13	13	10000	stainless steel	260	✓	9.71

Feet with base in black RAL 9005 colour available for each size in the table

▪ Products not in stock minimum order: 24 pieces, delivery in 10 days.

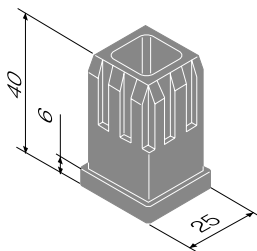
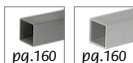
## 1406 Threaded cap for tube 25x25, thickness 1.2



**Material** reinforced polyamide cap, nickel-plated brass threaded insert.

**State of supply** complete with threaded insert.

Combinations 

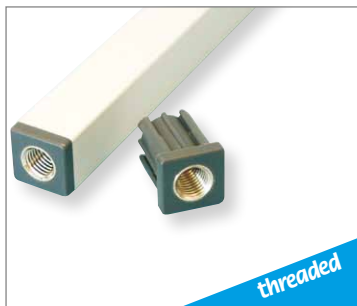


## QUANTITY DISCOUNT

Qty	1+	25+	50+	100+
Discounts	-	-10%	-17%	on request

Code	Pack	Ø d	Thickness	Load N	Colour	Weight g	Stock	€ piece
625242	50 pcs	M8	1.2	480	grey RAL7016	32	✓	4.02
618462	50 pcs	M10	1.2	480	grey RAL7016	32	✓	4.02

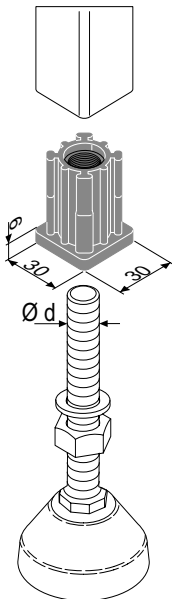
1627 Threaded cap for tube 30x30, thickness 2



**Material** reinforced polyamide cap, nickel-plated brass threaded insert.

**State of supply** complete with prefitted threaded insert.

Combinations



QUANTITY DISCOUNT

Qty	1+	25+	50+	100+
Discounts	-	-10%	-17%	on request

Code	Pack	Ø d	Thickness	colour foot	Weight g	Stock	€
							piece
697772	50 pcs	M10	2	grey RAL7016	35	✓	4.32
664652	50 pcs	M16	2	grey RAL7016	32	✓	4.32

1446

## Threaded cap for tube

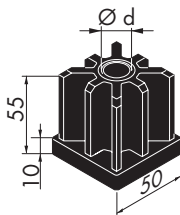
### 50x50, thickness 1.5 or 3



**Material** reinforced polyamide cap, nickel-plated brass threaded insert.

**State of supply** complete with threaded insert.

Combinations



#### QUANTITY DISCOUNT

Qty	1+	25+	50+	100+
Discounts	-	-10%	-17%	on request

Code	Pack	Ø d	Thickness	Load N	Colour	Weight g	Stock	€
								piece
625262	50 pcs	M16	1.5	5000	black RAL9005	100	✓	4.40
652242	50 pcs	M16	3	5000	black RAL9005	100	✓	10.11

1447

# Threaded cap for tube in inches



**Material** reinforced polyamide cap, nickel-plated brass threaded insert.

**State of supply** complete with threaded insert.

Combinations 



**THIS PRODUCT  
HAS BEEN UPDATED!**

Download   
the  
Web Novelties



### QUANTITY DISCOUNT

Qty	1+	25+	50+	100+
Discounts	-	-10%	-17%	on request

Code	Pack	Thickness mm	A mm	" "	Ø d threading	Load N	Colour	Weight g	Stock	€
										gas
625272	50 pcs	1,5	48.3	1"½	M16	5000	black RAL9005	79	✓	4,00
630357	50 pcs	2	60.3	2"	M16	5000	black RAL9005	84	▪	4,11

▪ **Products not in stock** minimum order: 50 pieces, delivery in 15 days

# 1134 Articulated foot $\varnothing 43$ with cap for tube 25x25, thickness 1.2



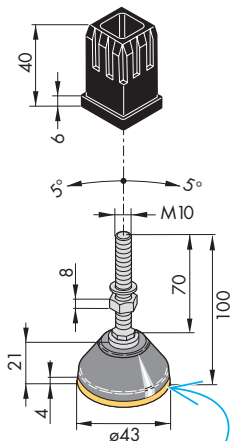
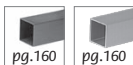
with cap

**Use:** to lay the 25x25x1.2n tube in stainless steel on the ground.

**Material** RAL 7016 grey base, black reinforced polyamide threaded cap; nickel-plated brass insert; rod and nuts and bolts in stainless steel; anti-slip material in yellow RAL 1006 thermoplastic elastomer

**State of supply** complete with nut, washer and threaded cap.

**Combinations**



anti-slip material

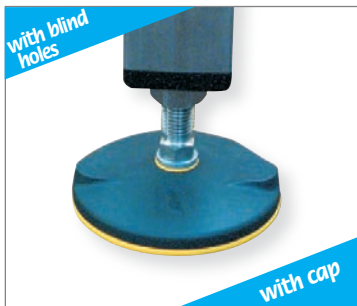
**QUANTITY DISCOUNT**

Qty	1+	6+	12+	24+
Discounts	-	-10%	-17%	on request

Code	Static load N	Tube thickness mm	Anti-slip material	Colour base	Material Foot and rod	Weight g	Stock	€ piece
654045	3000	1.2	yes	black RAL 9005	Stainless steel	118	✓	11.10

1700

# Articulated foot $\varnothing 100$ with cap for tube 50x50, thickness 1.5 or 3

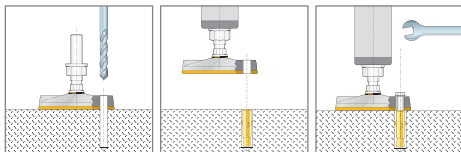
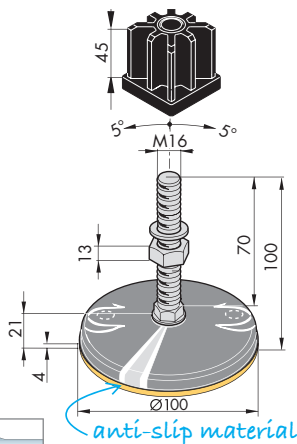


**Use:** to lay the 50x50 tube on the ground.

**Material** RAL 7016 grey base, black reinforced polyamide threaded cap; nickel-plated brass insert; rod and nuts and bolts in stainless steel; anti-slip material in yellow RAL 1006 thermoplastic elastomer

**State of supply** complete with nut, washer and threaded cap.

Combinations



### QUANTITY DISCOUNT

Qty	1+	2+	4+	8+
Discounts	-	-10%	-17%	on request

Code	Pack	Load N	Thickness	Rod	Weight g	Stock	€ piece
676132	4 pcs	10000	1.5 mm	stainless steel	416	✓	14.28
676142	4 pcs	10000	3 mm	stainless steel	416	✓	20.00

Feet with base in black RAL 9005 colour available for each size in the table

■ Products not in stock minimum order: 24 pieces, delivery in 10 days.

1701

# Articulated foot $\varnothing 100$ with cap for tube $\varnothing 48.3$ , thickness 1.5

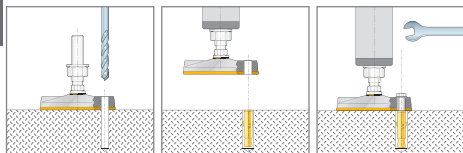
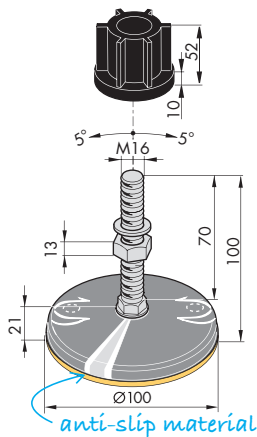


**Use:** to lay the 48.3  $\varnothing$  tube on the ground.

**Material** RAL 7016 grey base, black reinforced polyamide threaded cap; nickel-plated brass insert; rod and nuts and bolts in stainless steel; anti-slip material in yellow RAL 1006 thermoplastic elastomer.

**State of supply** complete with nut, washer and threaded cap.

Combinations



**QUANTITY DISCOUNT**

Qty Discounts	1+	2+	4+	8+
	-	-10%	-17%	on request

Code	Pack	Load N	Rod	Weight g	Stock	€ piece
676152	4 pcs	10000	stainless steel	390	✓	17.61

Feet with base in black RAL 9005 colour available for each size in the table

▪ **Products not in stock** minimum order: 24 pieces, delivery in 10 days.

1554

# Articulated foot $\varnothing 100$ with cap for tube 50x50, thickness 1.5 or 3



with cap

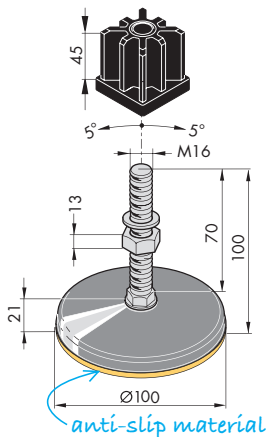
Combinations 

pg.162

**Use:** to lay the 50x50 tube on the ground.

**Material** RAL 7016 grey base, black reinforced polyamide threaded cap; nickel-plated brass insert; rod and nuts and bolts in stainless steel; anti-slip material in yellow RAL 1006 thermoplastic elastomer.

**State of supply** complete with nut, washer and threaded cap.



anti-slip material

### QUANTITY DISCOUNT

Qty	1+	2+	4+	8+
Discounts	-	-10%	-17%	on request

Code	Pack	Load N	Thickness	Rod	Weight g	Stock	€ piece
652212	4 pcs	10000	1.5 mm	stainless steel	360	✓	17.36
652222	4 pcs	10000	3 mm	stainless steel	360	✓	20.86

Feet with base in black RAL 9005 colour available for each size in the table

▪ **Products not in stock** minimum order: 24 pieces, delivery in 10 days.

# 1555 Articulated foot $\varnothing 100$ with cap for $\varnothing 48.3$ , thickness 1.5

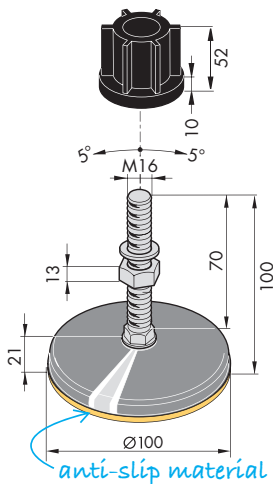


with cap

**Use:** to lay the 48.3  $\varnothing$  tube on the ground.

**Material** RAL 7016 grey base, black reinforced polyamide threaded cap; nickel-plated brass insert; rod and nuts and bolts in stainless steel; anti-slip material in yellow RAL 1006 thermoplastic elastomer.

**State of supply** complete with nut, washer and threaded cap.



Combinations



**QUANTITY DISCOUNT**

Qty	1+	2+	4+	8+
Discounts	-	-10%	-17%	on request

Code	Pack	Load N	Rod	Weight g	Stock	€ piece
652232	4 pcs	10000	stainless steel	340	✓	17.36

Feet with base in black RAL 9005 colour available for each size in the table

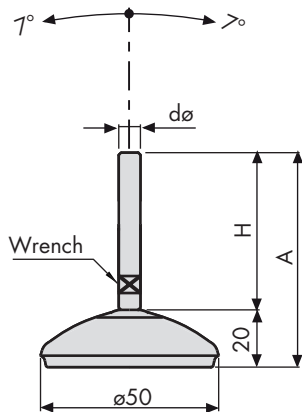
■ **Products not in stock** minimum order: 24 pieces, delivery in 10 days.

## 2848 Articulated foot Ø50 in stainless steel



**Material** AISI 304 stainless steel base and rod, anti-slip material in RAL 9005 black thermoplastic elastomer.

**State of supply** nut and washer not included.



**Combinations**



## QUANTITY DISCOUNT

Qty	1+	12+	24+	48+
Discounts	-	-10%	-17%	on request

Code	Pack	Ø d	A	H	Wrench	Load	Material	Stock	€
									mm
661396	24 pcs	M8	100	80	6	10000	stainless steel	▪	17.63
661406	24 pcs	M10	100	80	7	10000	stainless steel	▪	18.18
665208	24 pcs	M12	125	105	9	12000	stainless steel	▪	21.10
661426	24 pcs	M14	150	130	11	12000	stainless steel	▪	26.23

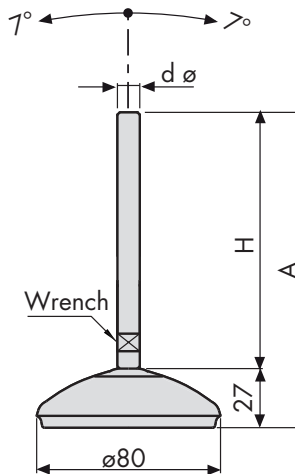
▪ **Products not in stock** minimum order: 24 pieces, delivery in 10 days.

# 2626 Articulated foot Ø80 in stainless steel



**Material** AISI 304 stainless steel base and rod, anti-slip material in RAL 9005 black thermoplastic elastomer

**State of supply** nut and washer not included.



Combinations



### QUANTITY DISCOUNT

Qty	1+	12+	24+	48+
Discounts	-	-10%	-17%	on request

Code	Pack	Ø d	A	H	Wrench	Load	Material	Stock	€
									mm
690874	24 pcs	M16	125	98	13	15000	stainless steel	▪	24.83

▪ **Products not in stock** minimum order: 24 pieces, delivery in 10 days.

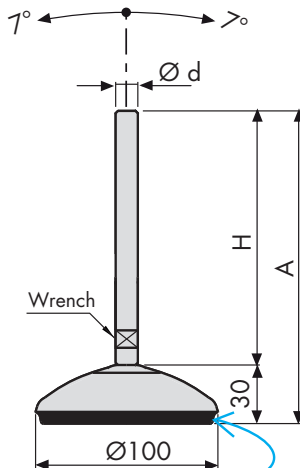
4156

Articulated foot Ø100 in stainless steel



**Material** AISI 304 stainless steel base and rod, anti-slip material in RAL 9005 black thermoplastic elastomer

**State of supply** nut and washer not included.



**Combinations**   
**Joins**



## QUANTITY DISCOUNT

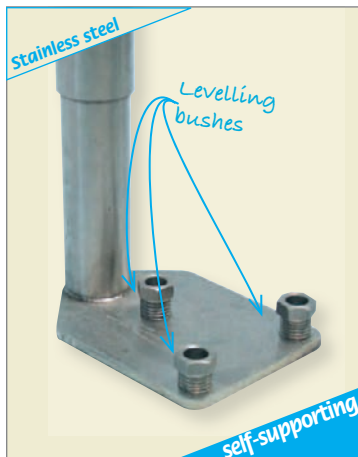
Qty	1+	12+	24+	48+
Discounts	-	-10%	-17%	on request

Code	Pack	Ø d	A	H	Wrench	Load	Material	Stock	€
			mm	mm	mm	N			piece
691787	24 pcs	M16	150	120	13	15000	stainless steel	▪	25.71
691797	24 pcs	M16	200	170	13	15000	stainless steel	▪	26.28

▪ **Products not in stock** minimum order: 24 pieces, delivery in 10 days.

2021

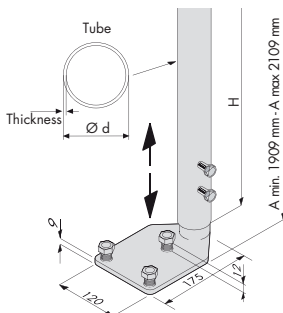
# Self-supporting adjustable base in stainless steel with tube $\varnothing 48.3$



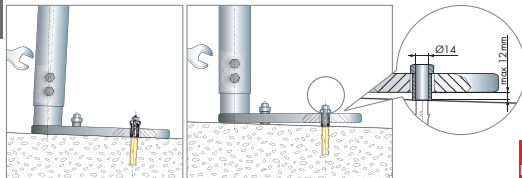
**Use:** for floor-mounting of stainless steel perimeter guards (made of 48.3 $\varnothing$  stainless steel tubes, Part 1166) without having to disassemble the modules, allowing component positioning even if floors are very uneven ( $\pm 100$  mm).

**Material** AISI 304 stainless steel.

**State of supply** base complete with 3 threaded bushings M20 with  $\varnothing 14$  inside hole; N. 1 column with H= 1900 mm complete with 2 M8x14 hex head screws.



Possible levelling using 0 to 12mm bushes.



### QUANTITY DISCOUNT

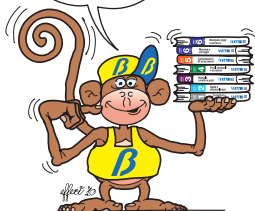
Qty	1+	2+	4+	8+
Discounts	-	-10%	-17%	on request

Code	Pack	$\varnothing d$ mm	Thickness mm	H mm	Weight Kg	Stock	€ piece
669533	1 pcs	48.3	1.5	1900	5.30	■	419.60

■ **Products not in stock** minimum order: 24 pieces, delivery in 26 days



Have you got all the BOOKS?





# Electrical accessories

FOOD

**B**  
ROBOFRAME<sup>®</sup>  
FOOD

PACK

**B**  
ROBOFRAME<sup>®</sup>  
PACK

Safety switches

.....

5 p.374



Cable carrier

.....

in stainless steel

5 p.382

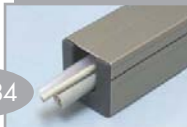


Cable carrier in

.....

Aluminium

5 p.384

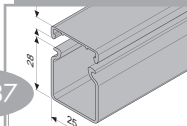


Cable carrier in

.....

Plastic

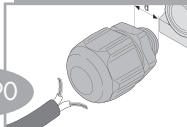
5 p.387



Cable duct accessories

.....

5 p.390



## WARNINGS

Only the Italian version of this catalogue is to be understood as the original version. Bett Sistemi shall not be held liable for any translation or transcription errors. The information contained in this catalogue is exclusively meant for component description purposes and shall not be understood as a statement made by Bett Sistemi regarding a specific characteristic of the component or its suitability for a specific use. The data provided **shall not relieve the customers from their responsibility to evaluate, check and consequently use any and all components.** All information is based on the data available at the time of publishing and is not binding. Bett Sistemi shall not be held liable for any incomplete or wrong information, and for any damage which may arise in connection with such information. The products may be modified at any time without prior notice, **we therefore recommend that you always check the product updates on the website [www.bettsistemi.com](http://www.bettsistemi.com)**

## 1280 → ELF safety switch kit



for sliding doors

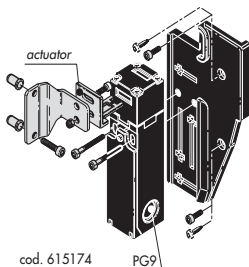
**Use:** to be used when you need that the sliding door, made with either the guide Part 1195 or with the joint with fulcrum Part 1123, activates a safety switch.

**Characteristics:** 2 N.C. contacts

**Material** Plastic safety switch; safety switch mount in reinforced polyamide; actuator mounting bracket; threaded inserts and AISI 304 stainless steel screws.

**State of supply** 1 safety switch ELF complete with actuator, 1 switch mount, 1 actuator mounting bracket, 2 threaded inserts and 2 M4x16 screws (to secure the actuator mounting bracket to the tube); 4 M4x10 screws, 2 3.9x13 self-threading screws, 2 M4 self-locking nuts to secure the safety switch mount to the tube ( 2 M4x10 screws if the tube is in stainless steel, 2 self-threading screws if the tube is in aluminium) and to secure the actuator to its mounting bracket; 2 M4x30 screws to secure the safety switch to its mount.

Combinations

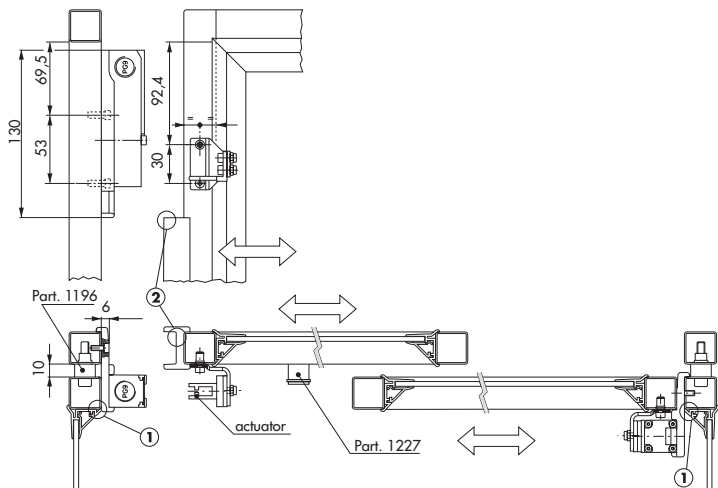


### QUANTITY DISCOUNT

Qty	1+	2+	4+	8+
Discounts	-	-10%	-17%	on request

Code	Pack	Opening direction	Switch contacts	Weight g	Stock	€ piece
615174	2 pcs	right	2 N.C.	180	✓	83.22
615184	2 pcs	left	2 N.C.	180	✓	83.22

↓ 1280



#### Instruction for proper use of Part 1280

When using this kit in the conditions shown in point 1 (single door with orthogonal wall buffered by means of the profiles (Part 1175, 1191, 1192, 1289, 1290, 1291, 1104, 1105, 1115, 1116), you need to mill the profile so that the safety switch mount can be evenly and securely positioned on the tube.

Using the sliding guide (Part 1195) as shown in point 2, you need to cut it in the area of the safety switch mount.

# 1157 End-stop with ELF switch



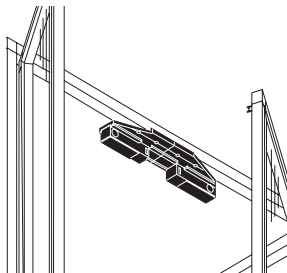
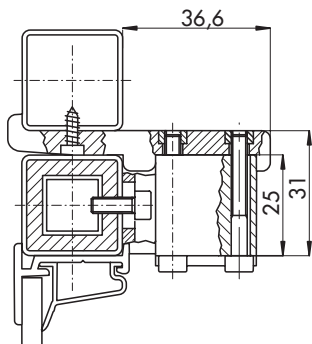
for doors

**Use:** when you need that the door activates a safety switch.

**Characteristics:** 2 N.C. contacts

**Material** Plastic safety switch; safety switch mount in reinforced polyamide; screws in stainless steel AISI 304.

**State of supply** 1 safety switch ELF, 1 right-hand or left-hand mount, 4 3.9x13 self-threading screws, 2 M4x30 socket head screws, 4 M4x10 socket head screws.



**QUANTITY DISCOUNT**

Qty	1+	2+	4+	8+
Discounts	-	-10%	-17%	on request

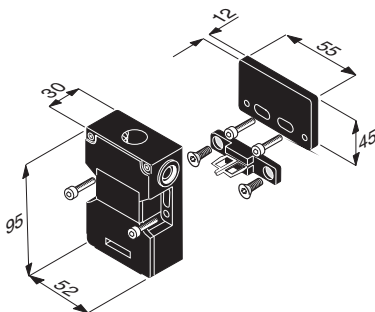
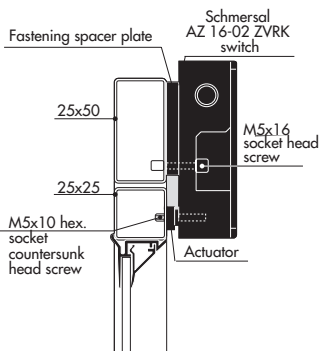
Code	Pack	Opening direction	Switch contacts	Weight g	Stock	€ piece
615194	2 pcs	right	2 N.C	160	✓	70.57
615204	2 pcs	left	2 N.C	160	✓	70.57

## 1895 SCHMERSAL AZ 16-02 ZVRK switch



**Material** casing for switch in fibre-glass reinforced self-extinguishing thermoplastic material; actuator in stainless steel; silver contacts; fastening plate in black anodised aluminium; rivets and screws in stainless steel.

**State of supply** 1 Schmersal switch complete with 1 actuator and 2 M5x10 hex. countersunk head screws; 1 fastening spacer plate; 2 M6x20 socket head screws; 2 M5x16 socket head screws; 2 M6 rivets.



### QUANTITY DISCOUNT

Qty	1+	2+	4+	8+
Discounts	-	-10%	-17%	on request

Code	Pack	Switch contacts	Weight g	Stock	€ piece
627633	4 pcs	2 N.C	217	✓	64.85
615114	4 pcs	1 N.C - 1 N.O	217	▪	64.85

▪ **Products not in stock** minimum order: 8 pieces, delivery in 25 days.

## 3754 TLS-GD2 safety switch with interlock



**Use:** this safety switch with interlock is used in all cases where the machine continues running by inertia, even after the start switch has been turned off. Actually, after turning off the machine the microswitch will not allow the door to open until a timer transmits an opening command; this means that the door can be opened only after the machine has come to a complete stop.

**Material** casing for switch in fibre-glass reinforced self-extinguishing thermoplastic material; actuator, screws in stainless steel.

**State of supply** 1 safety switch TLS-GD2, 2 M5x16 socket head screws; 2 M5x25 socket head screws.

### Combinations



#### QUANTITY DISCOUNT

Qty	1+	2+	4+	8+
Discounts	-	-10%	-17%	on request

Code	Pack	Switch contacts	Weight g	Stock	€ piece
665337	4 pcs	3 N.C. - 2 N.O.	280	■	221.68

■ **Products not in stock** minimum order: 4 pieces, delivery in 15 days.

## 2837 Bracket for TLS-GD2 switch



**Material** Bracket in stainless steel AISI 304, nuts and bolts in stainless steel.

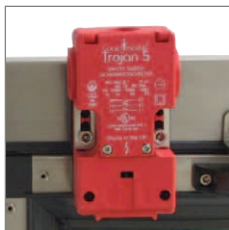
**State of supply** 1 fastening bracket, 4 M6x20 socket head screws, 4 M6 washers, 4 inserti filettati with countersunk head M6.

#### QUANTITY DISCOUNT

Qty	1+	2+	4+	8+
Discounts	-	-10%	-17%	on request

Code	Pack	Weight g	Stock	€ piece
631115	4 pcs		✓	47.45

## 3755 TROJAN 5 switch



**Use:** This safety switch, to be used in combination with the TLS-GD2 safety switch (Part 3754), prevents machine operation in the event that the door on which it is positioned is open and the other closed.

**Material** casing for switch in fibre-glass reinforced self-extinguishing thermoplastic material; actuator and screws in stainless steel.

**State of supply** 1 safety switch TROJAN 5, 2 M5x20 socket head screws.

**Combinations**



### QUANTITY DISCOUNT

Qty	1+	2+	4+	8+
Discounts	-	-10%	-17%	on request

Code	Pack	Switch contacts	Weight g	Stock	€ piece
665347	4 pcs	2 N.C. - 1 N.O.	280	■	56.91

■ **Products not in stock** minimum order: 4 pieces, delivery in 15 days.

## 2773 Bracket for TROJAN 5 switch



**Material** Bracket in black painted aluminium, stainless steel screws.

**State of supply** 1 fastening bracket, 2 M6x25 socket head screws; 2 threaded inserts with M6 cylindrical head.

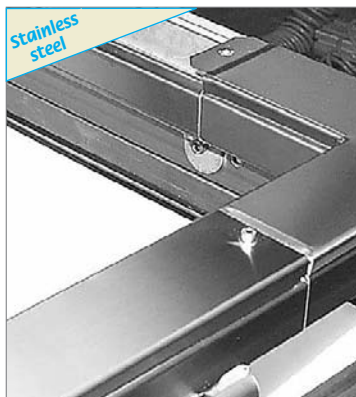
### QUANTITY DISCOUNT

Qty	1+	2+	4+	8+
Discounts	-	-10%	-17%	on request

Code	Pack	Weight g	Stock	€ piece
628765	4 pcs		✓	33.37



## 1494 Cable carrier

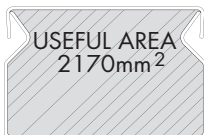
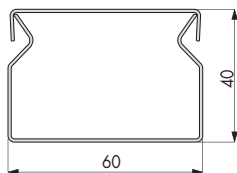
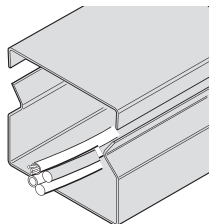


Stainless steel

**Use:** suitable for holding electrical cables. It is easily inspectable thanks to the cover with snap-lock.

**Material** 1mm thick stainless steel.

**State of supply** cable duct in 3 m bars, complete with end cap and snap-lock.



### QUANTITY DISCOUNT

Qty	1+	2+	4+	8+
Discounts	-	-10%	-17%	on request

Code	Pack	Weight g/m	Stock	€ bar
631972	2 X 3 m	1400	✓	89.61

## 1495

## Angle for cable carrier **90°**

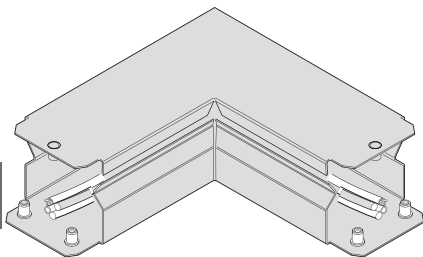
Stainless steel



**Use:** suitable to make 90° curves on the cable carrier.

**Material** Angle in stainless steel, 1 mm thick, nuts and bolts in stainless steel.

**State of supply** complete with cover with snap-lock, 6 VTC M4x10, 6 M4 washers.



### QUANTITY DISCOUNT

Qty	1+	2+	4+	8+
Discounts	-	-10%	-17%	on request

Code	Pack	Weight g	Stock	€ piece
631982	2 pcs	520	✓	52.03

## 1497

## Bracket for cable carrier



**Stainless steel**

**Use:** suitable to secure the cable carrier to the 50x25 tube of the structure.

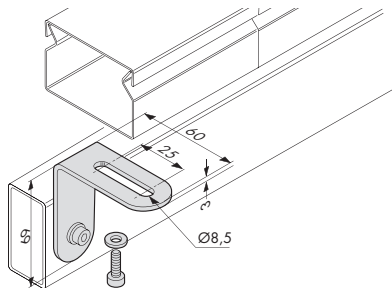
**Material** Bracket and stainless steel screws.

**State of supply** complete with 2 M6x16 socket head screws, 1 M6 tubular rivet 1 M6 hexagon nut 2 M6 washers

**Combinations** 



pg. 161



### QUANTITY DISCOUNT

Qty	1+	4+	8+	16+
Discounts	-	-10%	-17%	on request

Code	Pack	Finish	Weight	Stock	€
			g		piece
632102	8 pcs		98	✓	8.28

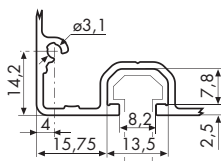
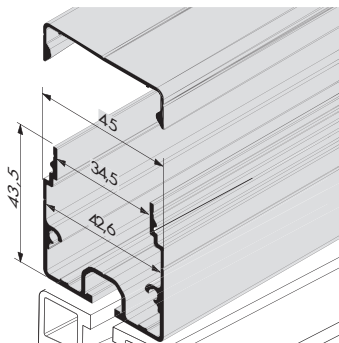
# 3363 Cable duct 43.5x45



Use: Cable duct

**Material** Aluminium

**Combinations** end caps 3011, 3012, 3013, 3014



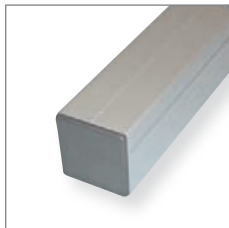
**QUANTITY DISCOUNT**

Qty	1+	4+	8+	16+
Discounts	-	-10%	-17%	on request

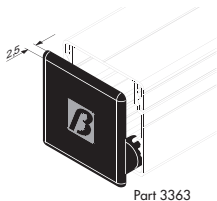
Code	Pack	Flexure inertia		Finish	Weight Kg/m	Stock	€ bar
		Ix cm <sup>4</sup>	Iy cm <sup>4</sup>				
608987	8 X 3 m	4.53	8.26	anodised 15 µm	0.950	✓	60.54
608997	8 X 3 m	4.53	8.26	ELOX 15 µm	0.950	▪	65.16

▪ **Products not in stock** minimum order 24 metres, delivery in 15 days.

## 3011 End closing cap 43.5x45



**Use:** for profiles Part 3363  
**Characteristics:** without upper bosses for Part 3363  
**Material:** ABS  
**Assembly:** snap-fitting or gluing with epoxy or cyanoacrylate glue



### QUANTITY DISCOUNT

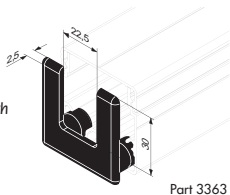
Qty	1+	8+	16+	32+
Discounts	-	-10%	-17%	on request

Code	Pack	Colour	Weight	Stock	€
			g		piece
615226	16 pcs	grey RAL 7016	6	✓	1.19

## 3012 End cap for cable passage 43.5x45



**Use:** for profiles Part 3363  
**Characteristics:** without upper bosses with opening for cable passage  
**Material:** ABS  
**Assembly:** snap-fitting or gluing with epoxy or cyanoacrylate glue



### QUANTITY DISCOUNT

Qty	1+	8+	16+	32+
Discounts	-	-10%	-17%	on request

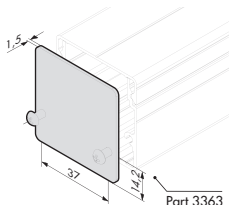
Code	Pack	Colour	Weight	Stock	€
			g		piece
615236	16 pcs	grey RAL 7016	6	✓	2.37

## 3013 End closing cap 43.5x45



**Use:** for profiles Part 3363.

**Material:** Stainless steel  
**Characteristics:** 1.5 thick, tumbled. Closing by means of 2 3.5x9.5 mm self-threading screws.



### QUANTITY DISCOUNT

Qty	1+	8+	16+	32+
Discounts	-	-10%	-17%	on request

Code	Pack	Finish	Stock	€
615246	16 pcs		■	5.98

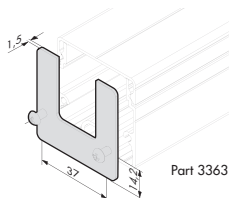
■ **Products not in stock** minimum order: 20 pieces, delivery in 5 days.

## 3014 End cap for cable passage 43.5x45



**Use:** for profiles Part 3363.

**Material:** Stainless steel  
**Characteristics:** 1.5 thick, tumbled. Closing by means of 2 3.5x9.5 mm self-threading screws, with opening for cable passage.



### QUANTITY DISCOUNT

Qty	1+	8+	16+	32+
Discounts	-	-10%	-17%	on request

Code	Pack	Finish	Stock	€
615256	16 pcs		■	6.14

■ **Products not in stock** minimum order: 20 pieces, delivery in 5 days.

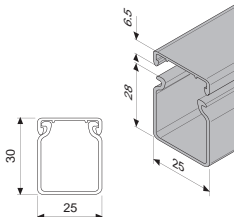
## 1831 Cable duct 25x30



**Use:** suitable for holding electrical cables. It is easily inspectable thanks to the cover with snap-lock.

**Material** Rigid PVC.

**State of supply** complete with cover with snap-lock.



### QUANTITY DISCOUNT

Qty	1+	20+	40+	80+
Discounts	-	-10%	-17%	on request

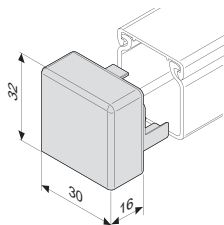
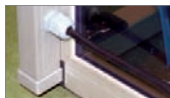
Code	Pack	Colour	Weight g/m	Stock	€ bar
604843	40 X 2 m	grey RAL7030	226	✓	4.92

## 1832 End piece for 25x30 cable duct



**Use:** to cap the ends of the cable duct.

**Material** Rigid PVC.



### QUANTITY DISCOUNT

Qty	1+	10+	20+	40+
Discounts	-	-10%	-17%	on request

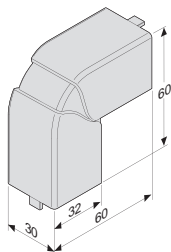
Code	Pack	Colour	Weight g	Stock	€ piece
604853	20 pcs	grey RAL7030	8	✓	1.61

## 1834 Outer angle



**Characteristics:** to make 70-120° angles.

**Material:** Rigid PVC.



### QUANTITY DISCOUNT

Qty	1+	10+	20+	40+
Discounts	-	-10%	-17%	on request

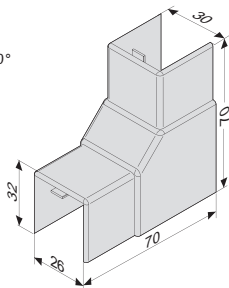
Code	Pack	Colour	Weight	Stock	€
604873	20 pcs	grey RAL7030	g 25	✓	piece 2.09

## 1835 Internal angle



**Characteristics:** to obtain 70-120° angles.

**Material:** Rigid PVC.



### QUANTITY DISCOUNT

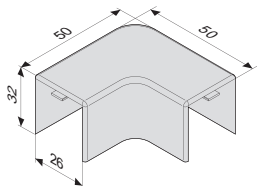
Qty	1+	10+	20+	40+
Discounts	-	-10%	-17%	on request

Code	Pack	Colour	Weight	Stock	€
604883	20 pcs	grey RAL7030	g 35	✓	piece 2.09

## 1833 Flat angle



**Material** Rigid PVC.



### QUANTITY DISCOUNT

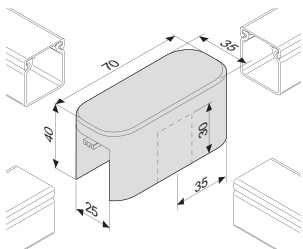
Qty	1+	10+	20+	40+
Discounts	-	-10%	-17%	on request

Code	Pack	Colour	Weight g	Stock	€ piece
604863	20 pcs	grey RAL7030	16	✓	2.09

## 1830 Branching



**Material** Rigid PVC.



### QUANTITY DISCOUNT

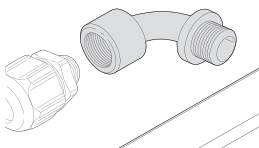
Qty	1+	10+	20+	40+
Discounts	-	-10%	-17%	on request

Code	Pack	Colour	Weight g	Stock	€ piece
604833	20 pcs	grey RAL7030	22	✓	2.09

## 2121 90° curve for cable gland unions



**Material** polyamide.



### QUANTITY DISCOUNT

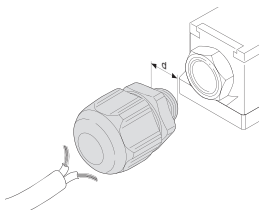
Qty	1+	10+	20+	40+
Discounts	-	-10%	-17%	on request

Code	Pack	Colour	Version	Weight	Stock	€
				g		piece
689703	50 pcs	grey RAL7035	PG 9	9	✓	2.65
689773	50 pcs	grey RAL7035	PG 11	16	✓	3.06

## 2234 Cable gland



**Material** polyamide.



### QUANTITY DISCOUNT

Qty	1+	25+	50+	100+
Discounts	-	-10%	-17%	on request

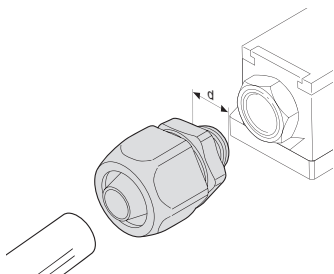
Code	Pack	Colour	Version	Weight	Stock	€
				g		piece
621667	50 pcs	grey RAL7035	PG 9	8.5	✓	0.88
621677	50 pcs	grey RAL7035	PG 11	8.5	✓	0.88
615604	50 pcs	grey RAL7035	PG 13.5	8.5	✓	0.88

## 2122

## Cable guide union



**Material** polyamide..



### QUANTITY DISCOUNT

Qty	1+	13+	25+	50+
Discounts	-	-10%	-17%	on request

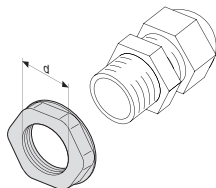
Code	Pack	Colour	Version	Weight	Stock	€
				g		piece
689783	25 pcs	grey RAL7035	PG 9	10	✓	0.89
689793	25 pcs	grey RAL7035	PG 11	10	✓	0.89
652564	25 pcs	grey RAL7035	M16	10	✓	0.89



## 2123 PG9 ring nut for cable clamp



**Material** polyamide.



### QUANTITY DISCOUNT

Qty	1+	25+	50+	100+
Discounts	-	-5%	-10%	on request

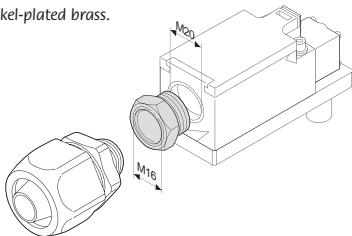
Code	Pack	Colour	Version	Weight g	Stock	€ piece
689803	50 pcs	grey RAL7035	PG 9	1.5	✓	0.22
689813	50 pcs	grey RAL7035	PG 11	1.5	✓	0.25

## 2473 Male/female adapter



**Use:** when the thread pitch needs to be reduced.

**Material** nickel-plated brass.



### QUANTITY DISCOUNT

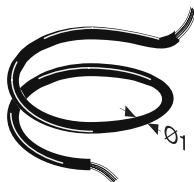
Qty	1+	25+	50+	100+
Discounts	-	-5%	-10%	on request

Code	Pack	Weight g	Stock	€ piece
652434	50 pcs	20	✓	2.95

## 2475 Fireproof cable 1 mm<sup>2</sup>



Use: for microswitch wiring.

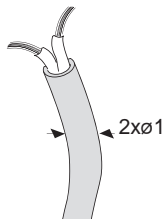
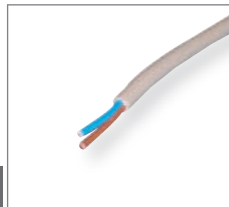


### QUANTITY DISCOUNT

Qty	1+	2+	4+	8+
Discounts	-	-5%	-10%	on request

Code	Pack	Colour	Weight g	Stock	€ roll
652474	200 m	black RAL 9005		✓	52.00

## 2476 2x1 fireproof cable



### QUANTITY DISCOUNT

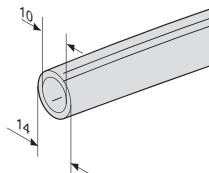
Qty	1+	2+	4+	8+
Discounts	-	-5%	-10%	on request

Code	Pack	Colour	Weight g	Stock	€ roll
652484	100 m	grey RAL7035		✓	77.00

## 2124 10x14 sheath



**Material** PVC.

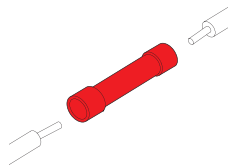


### QUANTITY DISCOUNT

Qty	1+	2+	4+	8+
Discounts	-	-5%	-10%	on request

Code	Pack	Colour	Weight g/m	Stock	€ roll
689823	50 m	grey RAL7035	110	✓	104.00

## 2479 Head-head joint, 0.25-1.5 mm<sup>2</sup> section

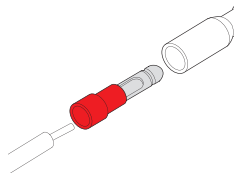
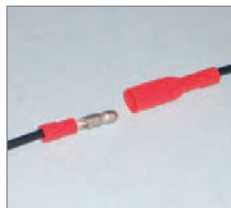


### QUANTITY DISCOUNT

Qty	1+	50+	100+	200+
Discounts	-	-5%	-10%	on request

Code	Pack	Colour	Weight g	Stock	€ piece
652514	100 pcs	red RAL3000		✓	0.11

## 2478 **Male** cylindrical coupling Ø4 mm

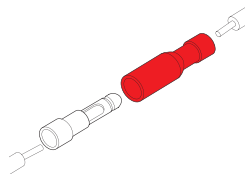
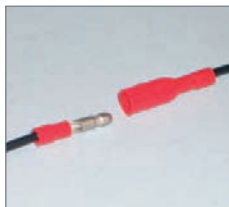


### QUANTITY DISCOUNT

Qty	1+	50+	100+	200+
Discounts	-	-5%	-10%	on request

Code	Pack	Colour	Weight	Stock	€
652504	100 pcs	red RAL3000	g 1	✓	piece 0.16

## 2477 **Female** cylindrical coupling Ø4 mm



### QUANTITY DISCOUNT

Qty	1+	50+	100+	200+
Discounts	-	-5%	-10%	on request

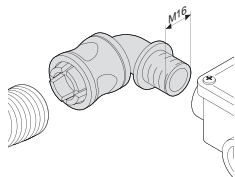
Code	Pack	Colour	Weight	Stock	€
652494	100 pcs	red RAL3000	g 1	✓	piece 0.18

## 2480 SFP M16 90° union



**Use:** for connection to the connector block.

**Material** polyamide.



### QUANTITY DISCOUNT

Qty	1+	25+	50+	100+
Discounts	-	-5%	-10%	on request

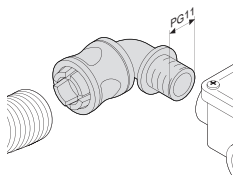
Code	Pack	Colour	Weight	Stock	€
652524	50 pcs	black RAL9005	g	✓	7.83

## 2481 SFP PG11 90° union



**Use:** for connection to the microswitch.

**Material** polyamide.



### QUANTITY DISCOUNT

Qty	1+	25+	50+	100+
Discounts	-	-5%	-10%	on request

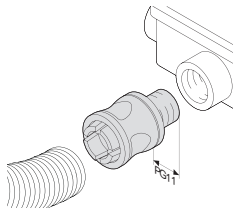
Code	Pack	Colour	Weight	Stock	€
652534	50 pcs	black RAL9005	g	✓	7.12

## 2482 SFP PG11 straight union



**Use:** for connection to the microswitch.

**Material** polyamide.



### QUANTITY DISCOUNT

Qty	1+	25+	50+	100+
Discounts	-	-5%	-10%	on request

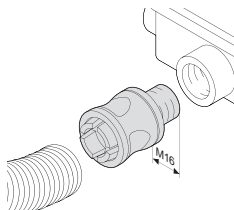
Code	Pack	Colour	Weight	Stock	€
			g		piece
652544	50 pcs	black RAL9005		✓	2.71

## 2483 SFP M16 straight connector



**Use:** for connection to the microswitch.

**Material** polyamide.



### QUANTITY DISCOUNT

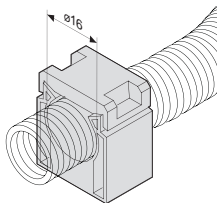
Qty	1+	25+	50+	100+
Discounts	-	-5%	-10%	on request

Code	Pack	Colour	Weight	Stock	€
			g		piece
652554	50 pcs	black RAL9005		✓	1.75

## 2484 SFP D16 M16 fixing clip



**Material** polyamide..



### QUANTITY DISCOUNT

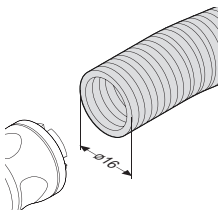
Qty	1+	25+	50+	100+
Discounts	-	-5%	-10%	on request

Code	Pack	Colour	Weight	Stock	€
652574	50 pcs	black RAL9005	g 6	✓	piece 1.24

## 2485 SFP standard Ø16 mm cable guide



**Material** polyamide.



### QUANTITY DISCOUNT

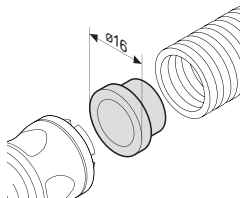
Qty	1+	2+	4+	8+
Discounts	-	-5%	-10%	on request

Code	Pack	Colour	Weight	Stock	€
652584	50 m	black RAL9005	g roll	✓	141.50

## 2486 Gasket IP68 SFP 16



**Use:** to obtain an IP68 class coupling.



**1**

To obtain IP68 degree of protection, just insert the gasket (provided as accessory) in the cable guide.



**2**

Then fully insert the cable guide into the connector and turn the ring nut to the safety position "ON".



### QUANTITY DISCOUNT

Qty	1+	175+	350+	700+
Discounts	-	-5%	-10%	on request

Code	Pack	Weight g	Stock	€ piece
652594	350 pcs		✓	0.86

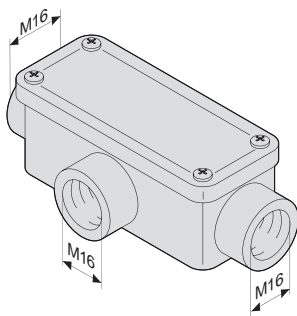
## 2487

## Branch joint



**Use:** for connection to the connector block.

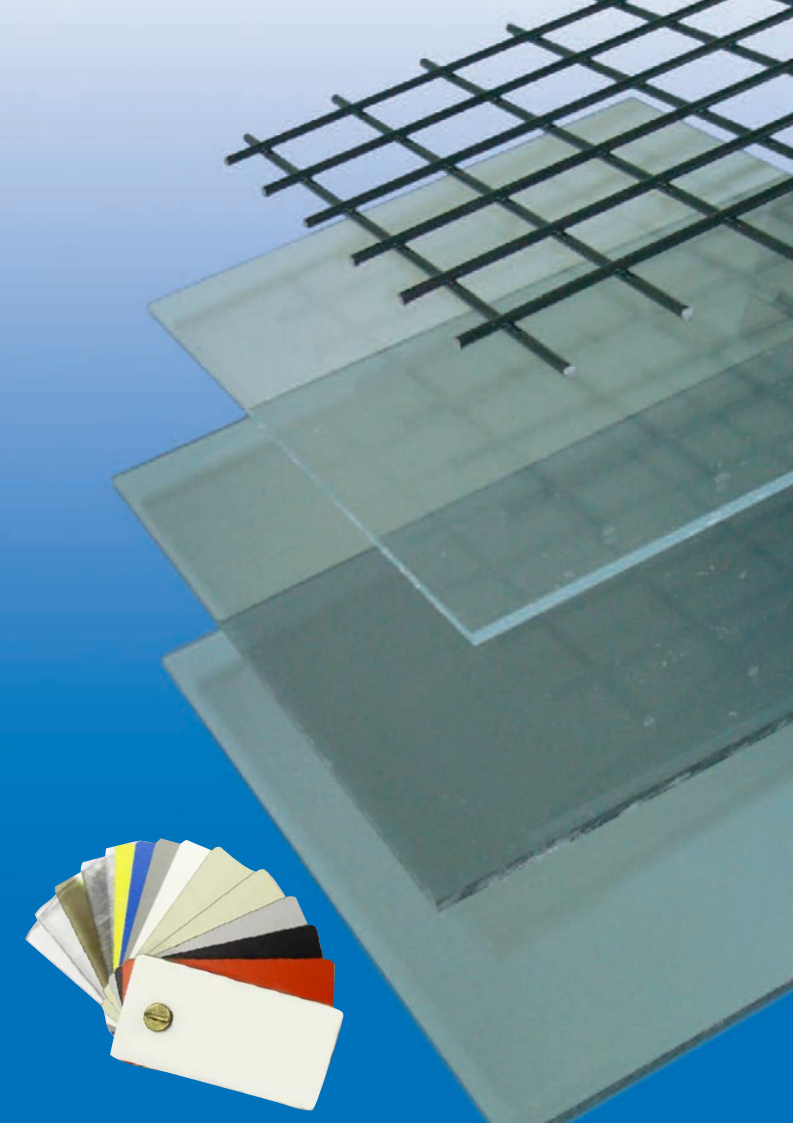
**Material:** aluminium.



### QUANTITY DISCOUNT

Qty	1+	5+	10+	20+
Discounts	-	-5%	-10%	on request

Code	Pack	Finish	Weight	Stock	€
			g		piece
652604	10 pcs	sand-blasted	140	✓	9.69

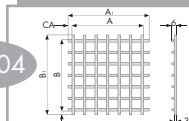


# Buffers



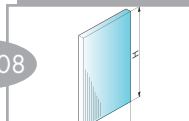
Wire mesh buffers

4 p.404



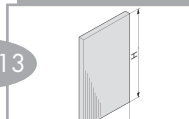
Transparent panels

4 p.408



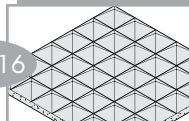
Covering panels

4 p.413



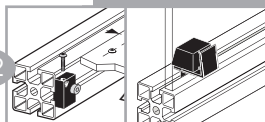
Sound-absorbing panels

4 p.416



Fastening blocks

4 p.422



Cleaning accessories

4 p.418

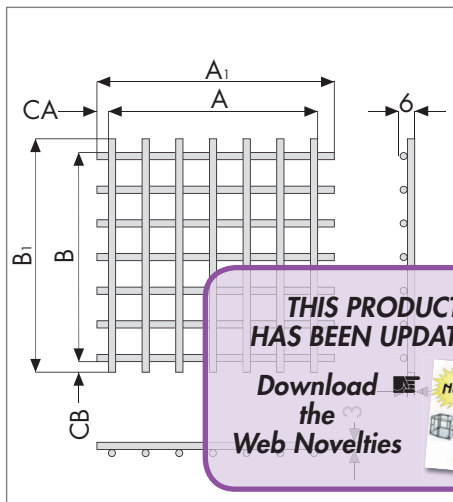


## WARNINGS

Only the Italian version of this catalogue is to be understood as the original version. Bett Sistemi shall not be held liable for any translation or transcription errors. The information contained in this catalogue is exclusively meant for component description purposes and shall not be understood as a statement made by Bett Sistemi regarding a specific characteristic of the component or its suitability for a specific use. The data provided **shall not relieve the customers from their responsibility** to evaluate, check and consequently use any and all components. All information is based on the data available at the time of publishing and is not binding. Bett Sistemi shall not be held liable for any incomplete or wrong information, and for any damage which may arise in connection with such information. The products may be modified at any time without prior notice, **we therefore recommend that you always check the product updates at the website [www.bettsistemi.com](http://www.bettsistemi.com)**

## 1288 30x30 wire mesh, $\varnothing 3$ wire

**Material** Fe37 steel (electrowelded wires).



**THIS PRODUCT HAS BEEN UPDATED!**

Download the Web Novelties



### QUANTITY DISCOUNT

Qty	1+	5+	10+	20+
Discounts	-	-10%	-17%	on request

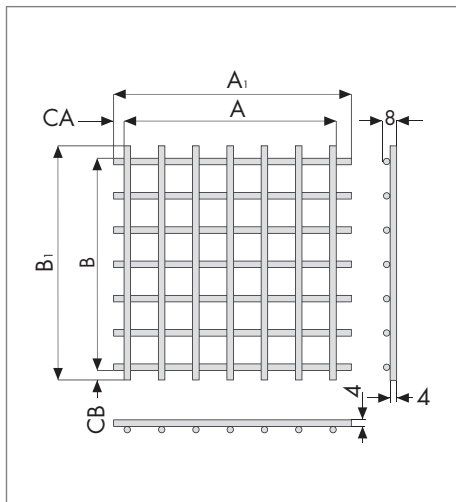
Code	Pack	$A_1$	$A$	$CA$	Number of wires $A \times B$	Finish	Weight	Stock	€
		$B_1$	$B$	$CB$					
		mm	mm	$\pm 1$ mm					
673411	10 pcs	1200 2400	1173 2373	13.5 13.5	40x80	untreated	3.63	▪	29.68
673391	10 pcs	1200 2400	1173 2373	13.5 13.5	40x80	black powder-coated, RAL 9005	3.63	▪	47.58
651883	10 pcs	1200 2400	1173 2373	13.5 13.5	40x80	galvanised	3.63	▪	40.43

▪ **Products not in stock** minimum order: 1 pack, delivery in 10 days for untreated finish, 15 days for painted and galvanised finish

## 1261

## 40x40 wire mesh, $\varnothing 4$ wire

**Material** Fe37 steel (electrowelded wires)



### QUANTITY DISCOUNT

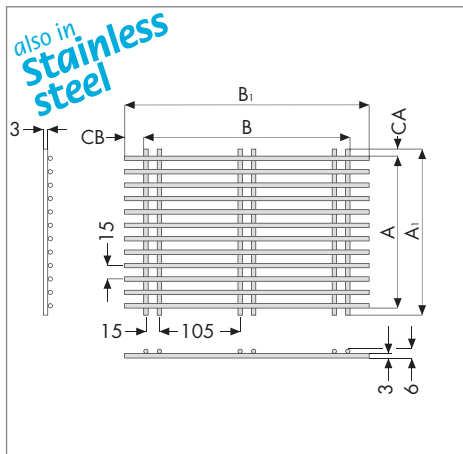
Qty	1+	5+	10+	20+
Discounts	-	-10%	-17%	on request

Code	Pack	A <sub>1</sub>	A	CA	Number of wires AxB	Finish	Weight	Stock	€
		B <sub>1</sub>	B	CB					
673431	10 pcs	1100 2200	1083 2163	8.5 18.5	28x55	untreated	4.95	▪	26.35
682114	10 pcs	964 1746	924 1684	20 34	24x43	black powder-coated RAL 9005	4.95	✓	40.28
665021	10 pcs	1100 2200	1083 2163	8.5 18.5	28x55	black powder-coated RAL 9005	4.95	▪	45.00
651893	10 pcs	1100 2200	1083 2163	8.5 18.5	28x55	galvanised	4.95	▪	48.74

▪ **Products not in stock** minimum order: 1 pack, delivery in 10 days for untreated finish, 15 days for painted and galvanised finish

## 963 TEC wire mesh, $\emptyset 3$ wire

also in  
**stainless steel**



**Material** Fe37 steel or stainless steel (electrowelded wires).

### QUANTITY DISCOUNT

Qty	1+	5+	10+	20+
Discounts	-	-10%	-17%	on request

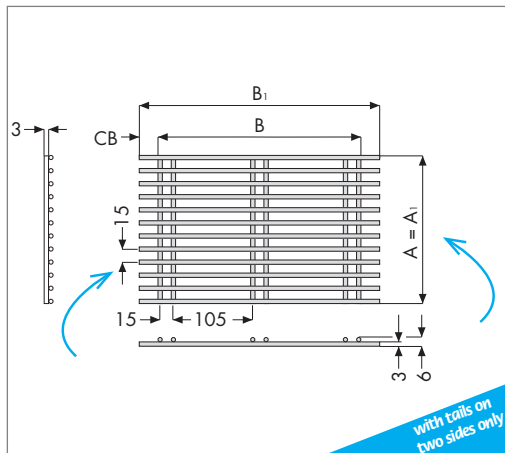
Code	Pack	A <sub>1</sub>	A	CA	Number of wires AxB	Finish	Weight kg/m <sup>2</sup>	Stock	€ piece
		B <sub>1</sub>	B	CB					
673421	10 pcs	1020 1920	1008 1818	6 51	68x32	untreated	4.52	✓	38.40
621981	10 pcs	1020 1920	1008 1818	6 51	68x32	black powder-coated RAL 9005	4.52	✓	52.43
618032	10 pcs	1020 1920	1008 1818	6 51	68x32	yellow powder-coated RAL 1021	4.52	▪	62.85
651903	10 pcs	1020 1920	1008 1818	6 51	68x32	galvanised	4.52	▪	54.75
630665	10 pcs	2000 1040	1968 977	16 31.5	132x18	in stainless steel AISI 304	4.52	✓	142.93

▪ **Products not in stock** minimum order: 1 pack, delivery in 10 days for untreated finish, 15 days for painted and galvanised finish

## 1424

## TEC wire mesh, Ø3 wire

**Material** Fe37 steel  
(electrowelded wires).



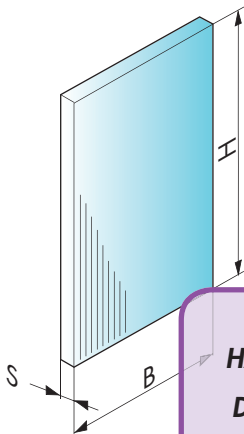
### QUANTITY DISCOUNT

Qty	1+	5+	10+	20+
Discounts	-	-10%	-17%	on request

Code	Pack	A <sub>1</sub>	A	CA	Number of wires AxB	Finish	Weight	Stock	€
		B <sub>1</sub>	B	CB					
618912	10 pcs	963 798	963 738	0 30	65x14	black powder-coated RAL 9005	4.52	✓	28.29
618892	10 pcs	963 798	963 738	0 30	65x14	yellow powder-coated RAL 1021	4.52	✓	41.33
618922	10 pcs	963 918	963 858	0 30	65x16	black powder-coated RAL 9005	4.52	✓	28.29
618902	10 pcs	963 918	963 858	0 30	65x16	yellow powder-coated RAL 1021	4.52	✓	41.33

# 930 Transparent polycarbonate

**Material** Transparent polycarbonate



**THIS PRODUCT  
HAS BEEN UPDATED!**

Download the  
Web Novelties



Use **ROBOCLEAN** (Part 1359),  
the specific detergent for proper  
safety guard maintenance

pg.418

### QUANTITY DISCOUNT

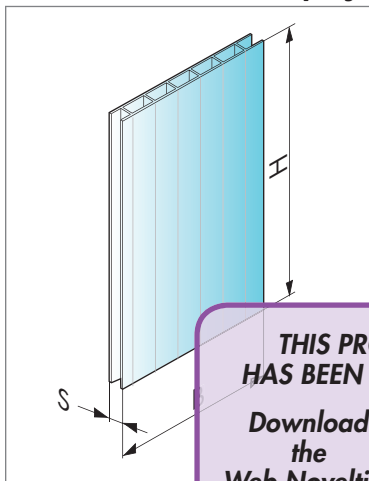
Qty	1+	5+	10+	20+
Discounts	-	-10%	-17%	on request

Code	Pack	S mm	B x H ±5mm	Colour	Weight		Stock	€ piece
					kg/m <sup>2</sup>	kg/piece		
624432	1 pc	4	1014x1023	colourless	4.8	4.98	✓	71.44
624422	1 pc	4	1014x2050	colourless	4.8	9.98	✓	135.26
624452	1 pc	5	1014x1023	colourless	6.0	6.22	✓	86.77
624442	1 pc	5	1014x2050	colourless	6.0	12.47	✓	165.92
624472	1 pc	6	1014x1023	colourless	7.2	7.47	✓	102.14
624462	1 pc	6	1014x2050	colourless	7.2	14.97	✓	196.62
624492	1 pc	8	1014x1023	colourless	9.6	9.96	✓	132.86
624482	1 pc	8	1014x2050	colourless	9.6	19.96	✓	258.02

the Stock ✓ may be delivered cut to size

932

## Alveolar polycarbonate

**Material** Polycarbonate.


**THIS PRODUCT  
HAS BEEN UPDATED!**

Download  the  
Web Novelties


**QUANTITY DISCOUNT**

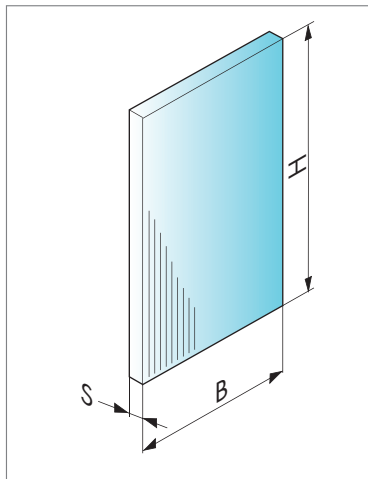
<b>Qty</b>	1+	6+	12+	24+
<b>Discounts</b>	-	-10%	-17%	on request

Code	Pack	S mm	B x H ±5mm	Colour	Weight		Stock	€ piece
					kg/m <sup>2</sup>	kg/piece		
627652	1 pc	8	1050x1000	colourless	1.5	1.57	✓	32.88
628122	1 pc	8	1050x2000	colourless	1.5	3.15	✓	55.87

the Stock ✓ may be delivered cut to size

# 946 Extruded transparent acrylic

**Material** Transparent extruded acrylic



Use **ROBOCLEAN** (Part 1359), the specific detergent for proper safety guard maintenance

pg.418 

### QUANTITY DISCOUNT

Qty	1+	5+	10+	20+
Discounts	-	-10%	-17%	on request

Code	Pack	S mm	B x H ±5mm	Colour	Weight		Stock	€ piece
					kg/m <sup>2</sup>	kg/piece		
624512	1 pc	4	1014x1023	colourless	4.76	4.94	✓	48.98
624502	1 pc	4	1014x2050	colourless	4.76	9.89	✓	90.34
624532	1 pc	5	1014x1023	colourless	5.95	6.17	✓	58.73
624522	1 pc	5	1014x2050	colourless	5.95	12.37	✓	109.80
624552	10 pcs	6	1014x1023	colourless	7.14	7.41	▪	68.43
624542	10 pcs	6	1014x2050	colourless	7.14	14.84	▪	129.27
624572	10 pcs	8	1014x1023	colourless	9.52	9.88	▪	87.93
624562	10 pcs	8	1014x2050	colourless	9.52	19.79	▪	168.23

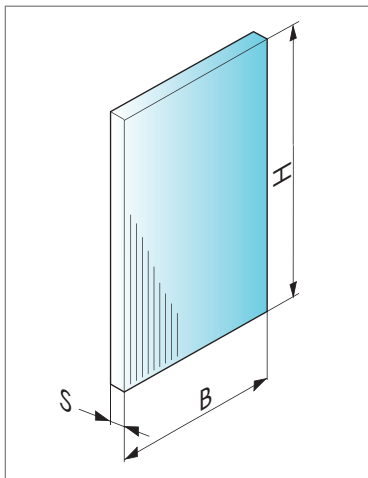
the Stock ✓ may be delivered cut to size

▪ Products not in stock minimum order: 1 pack, delivery in 10 days

## 929

## Shockproof transparent acrylic

**Material** Shockproof acrylic



### QUANTITY DISCOUNT

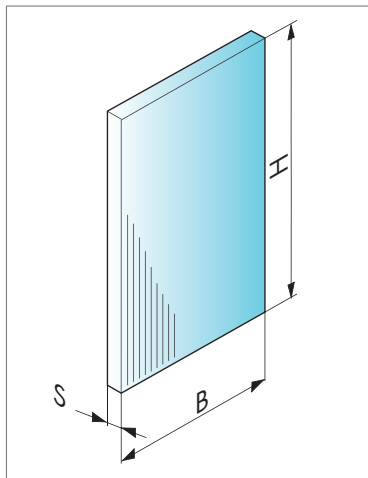
Qty	1+	5+	10+	20+
Discounts	-	-10%	-17%	on request

Code	Pack	S mm	B x H ±5mm	Colour	Weight		Stock	€ piece
					kg/m <sup>2</sup>	kg/piece		
649988	1 pc	3	1014x1023	colourless	3,48	3,61	✓	44.45
649978	1 pc	3	1014x2050	colourless	3,48	7,24	✓	75.10
624322	1 pc	4	1014x1023	colourless	4.64	4.81	✓	55.95
624312	1 pc	4	1014x2050	colourless	4.64	9.65	✓	104.19
624342	1 pc	5	1014x1023	colourless	5.80	6.02	✓	67.37
624332	1 pc	5	1014x2050	colourless	5.80	12.06	✓	127.09
624362	1 pc	6	1014x1023	colourless	6.96	7.22	✓	78.85
624352	1 pc	6	1014x2050	colourless	6.96	14.47	✓	150.06
624382	1 pc	8	1014x1023	colourless	9.28	9.62	✓	101.76
624372	1 pc	8	1014x2050	colourless	9.28	19.29	✓	195.81

the Stock ✓ may be delivered cut to size

## 931 Transparent PVC

**Material** Transparent PVC.



Use **ROBOCLEAN** (Part 1359), the specific detergent for proper safety guard maintenance

pg.418

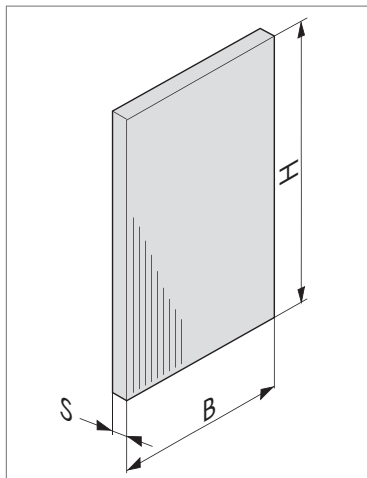
### QUANTITY DISCOUNT

Qty	10+	20+
Discounts	-	on request

Code	Pack	S mm	B x H ±5mm	Colour	Weight		Stock	€ piece
					kg/m <sup>2</sup>	kg/piece		
627282	10 pcs	4	1000x998	colourless	5.48	5.47	■	52.12
627272	10 pcs	4	2000x1000	colourless	5.48	10.96	■	143.74
627302	10 pcs	5	1000x998	colourless	6.85	6.84	■	63.18
627292	10 pcs	5	2000x1000	colourless	6.85	13.70	■	180.64
627322	10 pcs	6	1000x998	colourless	8.22	8.22	■	76.17
627312	10 pcs	6	2000x1000	colourless	8.22	16.44	■	223.96
627342	10 pcs	8	1000x998	colourless	10.96	10.94	■	89.27
627332	10 pcs	8	2000x1000	colourless	10.96	21.92	■	255.10

■ **Products not in stock** minimum order: 1 pack, delivery in 10 days

## 933 Expanded PVC



**Material** Expanded PVC

**Customisations** Other colours on request (green, blue, etc.)

### QUANTITY DISCOUNT

Qty	1+	5+	10+	20+
Discounts	-	-10%	-17%	on request

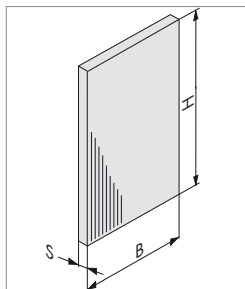
Code	Pack	S mm	B x H ±5mm	Colour	Weight		Stock	€ piece
					kg/m <sup>2</sup>	kg/piece		
616173	12 pcs	3	2030x1014	white	2.25	4.63	▪	33.92
616183	12 pcs	3	2030x1014	grey RAL 7037	2.25	4.63	▪	41.61
616193	12 pcs	3	2030x1014	sky-blue RAL 5015	2.25	4.63	▪	41.61
616203	12 pcs	3	2030x1014	yellow RAL 1021	2.25	4.63	▪	41.61
616213	1 pc	5	2030x1014	white	3.75	7.72	✓	53.19
616223	1 pc	5	2030x1014	grey RAL 7037	3.75	7.72	✓	65.95
616233	1 pc	5	2030x1014	sky-blue RAL 5015	3.75	7.72	✓	65.95
616243	1 pc	5	2030x1014	yellow RAL 1021	3.75	7.72	✓	65.95
633495	12 pcs	5	1560x1014	red RAL 3000	3,75	7,72	▪	56,63
616253	12 pcs	8	1013x1014	white	6.00	6.16	▪	69.67

the stock ✓ may be delivered cut to size

▪ Products not in stock minimum order: 1 pack, delivery in 10 days

# 934 Compressed stratified laminate

**Material** Compressed stratified laminate.



Use **ROBOCLEAN** (Part 1359), the specific detergent for proper safety guard maintenance

pg.418

### QUANTITY DISCOUNT

Qty	1+	6+	30+	60+
Discounts	-	-10%	-17%	on request

Code	Pack	S mm	B x H ±5mm	Colour	Weight		Stock	€ piece
					kg/m <sup>2</sup>	kg/piece		
627732	30 pcs	4		black on both sides		7.12	▪	43.31
627672	1 pc	4				7.12	✓	43.31
627692	1 pc	4				7.12	✓	43.31
627712	1 pc	4				7.12	✓	43.31
627752	30 pcs	4				7.12	▪	43.31
627772	30 pcs	4				7.12	▪	43.31
627912	30 pcs	8	1300x1014	black on both sides RAL 9011	10.8	14.24	▪	77.37
627792	1 pc	8	1300x1014	grey on both sides RAL 7035	10.8	14.24	✓	77.37
627872	1 pc	8	1300x1014	cream on both sides RAL 1013	10.8	14.24	✓	77.37
627852	1 pc	8	1300x1014	white on both sides RAL 9010	10.8	14.24	✓	77.37
627892	1 pc	8	1300x1014	light grey/cream RAL 1013/7001	10.8	14.24	✓	77.37
691557	1 pc	8	1300x1014	dark grey on both sides, RAL 7015	10.8	14.24	✓	77.37
627832	30 pcs	8	1300x1014	lobster pink/dark grey RAL 2004/7015	10.8	14.24	▪	77.37
627812	cream/dark grey RAL 1013/7015 - S=8 <b>obsolete, replaced with Part 691557</b>							

**THIS PRODUCT  
HAS BEEN UPDATED!**

Download the  
Web Novelties

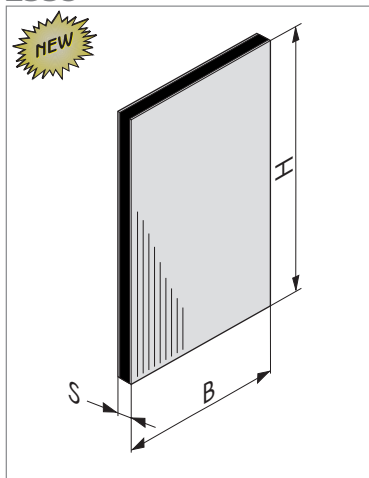


the Stock ✓ may be delivered cut to size

▪ **Products not in stock** minimum order: 1 pack, delivery in 30 days

# 2335

## Aluminium composite



**Material** Composite panel made up of two 0.3mm-thick aluminium foils with polyethylene core.

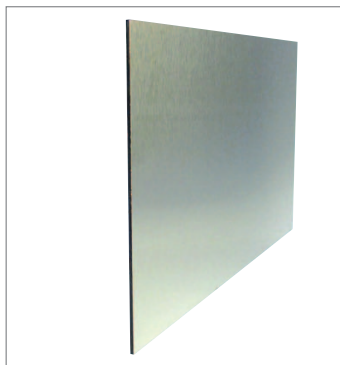
**Characteristics** One side is satin finished and one side oven painted in RAL9006 grey, both sides protected with a self-adhesive peelable film.

Easy to work and fold.

Lightweight, self-extinguishing (Class 1 fire resistance) and extremely planar.

High flexural rigidity, soundproofing.

Suitable for indoor and outdoor applications.



### QUANTITY DISCOUNT

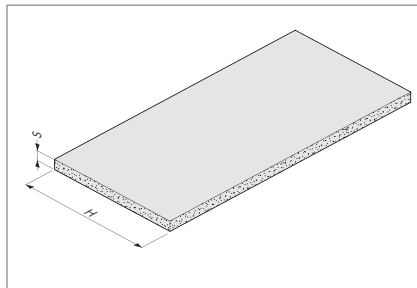
Qty	1+	2+	4+	8+
Discounts	-	-5%	-10%	on request

Code	Pack	S mm	B x H ±5 mm	Weight		Stock	€ piece
				kg/m <sup>2</sup>	kg/piece		
651874	1 pc	4	1500x4050	4.75	28.85	▪	355.28

▪ **Products not in stock** minimum order: 1 pack, delivery in 10 days

# 2580

## Flat sound-absorbent panel



**Use:** acoustic correction.

**Characteristics:** excellent acoustic absorption and behaviour under fire, classified UL 94 HF-1; water, oil and dust proof film, good resistance to UV rays, ozone and hydrolysis; water-based acrylic adhesive (non-toxic).

**Material:** Flexible, soft, open-cell expanded polyurethane, thickness 30  $\mu\text{m}$ .

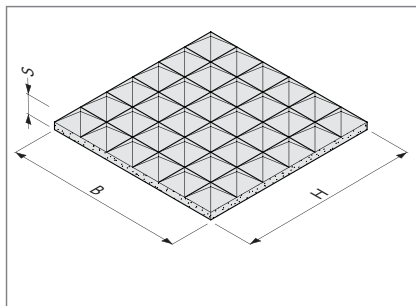
### QUANTITY DISCOUNT

Qty	25+	50+
Discounts	-	on request

Code	Pack	S	H	Colour	Weight		Stock	€
		mm	mm		kg/m <sup>2</sup>	kg/piece		
652804	25 m	40	1500	black RAL 9005	1.2	45	▪	47.08

▪ **Products not in stock** minimum order: 1 pack, delivery in 10 days

## 2581 Pyramid sound-absorbing panel



**Use:** acoustic correction

**Characteristics:** "pyramid" profile; thermal conductivity: Kcal/H 0.030 at 20°C; Fire resistance according to UL94 - HF1 standard; Temperature resistance: -20 +100°C; water-based acrylic adhesive (non-toxic).

**Material** Self-extinguishing expanded polystyrene

### QUANTITY DISCOUNT

Qty	18+	36+
Discounts	-	on request

Code	Pack	S	B x H	Colour	Weight		Stock	€
		mm	mm		kg/m <sup>2</sup>	kg/piece		
652814	18 pcs	50 (20+30)	1000x1000	anthracite RAL 7016	1.2	1.2	■	39.78

■ **Products not in stock** minimum order: 1 pack, delivery in 10 days

# 1359 ROBOCLEAN detergent for safety guards cleaning



**Use:** thoroughly cleans aluminium, stainless steel and plastic materials, such as polycarbonate, methacrylate, Nylon, PVC, etc. Spray the product on the surface to be cleaned and wipe with a moist cloth.

**Characteristics:** biodegradability: 90% Arts.2 and 4 of Law 26/4/83 136 – does not contain phosphor and is not subject to Law 7/86 and subsequent decrees – does not contain substances that can be labelled as hazardous in accordance with Min. Decrees 17 and 18 of October 1984 – not hazardous in accordance with EC Directives 67/548 and 93/21.

**State of supply** Pack complete with 1 sprayer and 1 instruction label.

## ISTRUZIONI INSTRUCTION PER LA CORETTA FOR THE CORRECT MANUTENZIONE MANTENANCE DELLA PROTEZIONE OF THE MACHINE GUARD SYSTEMS

Per mantenere più a lungo la qualità della protezione antinfortunistica la Bett Sistemi consiglia di seguire le seguenti istruzioni:

### LEVELI

• **NON** usare prodotti per la pulizia che contengano alcool, acetone, benzine, acidi, ammoniacale, candeggine, solventi in genere.

• **NON** usare mezzi a pressione e od acqua calda.

• **NON** spruzzare i prodotti direttamente sui pannelli, ma applicare una piccola quantità di prodotto su panno imbevuto, facendo attenzione che non sia abrasivo, sporco o polveroso. Infatti spruzzare Roboclean direttamente sulla bordatura dei pannelli, soprattutto se si tratta di bordi lucidati a fiamma può provocare microfessurazioni e infragilimenti dei pannelli.

### AVVERTENZE

• Utilizzare solo **ROBOCLEAN** il detergente specifico per la corretta pulizia della protezione della Bett Sistemi.

• **NON** usare Roboclean al di fuori della temperatura ambiente per evitare eventuali reazioni chimiche come l'infragilimento dei pannelli.

In order to preserve the quality of the safety guards over time, Bett Sistemi recommends that you follow these instructions:

### PROHIBITIONS

1 • **DO NOT** use cleaning products containing alcohol, acetone, petrol, acid, ammonia, bleach, solvents in general.

2 • **DO NOT** use pressure-operated and hot water-operated equipment.

3 • **DO NOT** spray products directly on the panels, but apply a small quantity of product on a soaked cloth, making sure that it is not abrasive, dirty or dusty. In fact spray Roboclean directly on the border of the panels especially if it is a flame polished border can cause microcracking and the embrittlement of the panels.

### WARNINGS

4 • **Use only ROBOCLEAN** the special detergent for proper cleaning of Bett Sistemi guards.

5 • **DO NOT** use Roboclean in temperature conditions above or below the ambient temperature, to prevent possible chemical as reactions which would cause the panels to embrittle.



### QUANTITY DISCOUNT

Qty	1+	6+	12+	24+
Discounts	-	-10%	-17%	on request

Code	Pack	Contents	Weight	Stock	€
		ml	g		piece
693101	12 pcs	750	775	✓	4.97

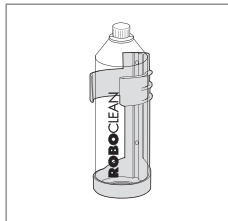
## 1367 Holder for ROBOCLEAN detergent



**Use:** it is recommended apply it on the guard or on the machine in a clearly visible position, so that the maintenance operator is required to use the specific ROBOCLEAN product, which does not damage the guard materials

**Material:** black polypropylene

**State of supply:** holder complete with adhesive label.

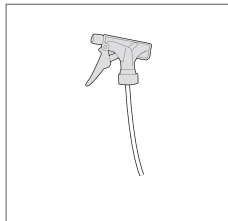


### QUANTITY DISCOUNT

Qty	1+	5+	10+	20+
Discounts	-	-10%	-17%	on request

Code	Pack	Colour	Weight	Stock	€
			g		piece
697951	1 pc	nero/black	82	✓	4.30

## 1368 Sprayer for ROBOCLEAN detergent



### QUANTITY DISCOUNT

Qty	1+	5+	10+	20+
Discounts	-	-10%	-17%	on request

Code	Pack	Weight	Stock	€
		g		piece
697961	1 pc	30	✓	2.04

# 4163

## Detergent abrasive cream for anodised aluminium



**Use:** for primary and periodical cleaning of anodised surfaces. It is the ideal solution to remove scratches, slight signs of rubbing or to clean very dirty surfaces. It works mechanically, by abrasion, and contains water-repellent additives which protect aluminium from the weather agents.

**Warning:** the abrasive fibre must only be used occasionally, and not for periodical cleaning. Repeated and prolonged use may damage the finishing.

**Characteristics:** 100% biodegradable

**State of supply** complete with abrasive buffers, grain 600

pg.65 Aluminium profiles **series 25**

pg.77 Aluminium profiles **series 30**

### QUANTITY DISCOUNT

Qty	1+	2+	4+	8+
Discounts	-	-5%	-10%	on request

Code	Pack	Contents	Weight	Stock	€
		ml	g		piece
692087	1 pc	250	250	✓	27,24

# 4165

## Universal abrasive rubber



**Use:** for dry-removal of signs, pencil writing or slight stains. Suitable for aluminium, steel, other metals, plastic, painted surfaces, ceramics, wood etc..

**Characteristics:** grain 240 (fine-grained)

pg.65 Aluminium profiles **series 25**

pg.77 Aluminium profiles **series 30**

pg.159 Tubes, profiles and end caps **FOOD**

### QUANTITY DISCOUNT

Qty	1+	2+	4+	8+
Discounts	-	-5%	-10%	on request

Code	Pack	Weight	Stock	€
		g		piece
692107	1 pc		✓	15,60

# 4162

## Product for **stainless steel** cleaning and polishing



**Use:** specific product for cleaning, degreasing and polishing sanded stainless steel. It can also be used on aluminium, copper, brass, chromed and nickel-coated surfaces, as well as on plastic. *It removes fingerprints, grease and pastes used for processing.*

It leaves an antistatic film which is dirt-repellent and protects the surface from oxidation.

**Characteristics:** not toxic, harmful if swallowed.

pg.159  Tubes, profiles and end caps **FOOD**

### QUANTITY DISCOUNT

Qty	1+	2+	4+	8+
Discounts	-	-5%	-10%	on request

Code	Pack	Contents	Weight	Stock	€
		ml	g		piece
692077	1 pc	1000	1000	✓	17,63

# 4164

## ANTISTATIC product for **buffer** cleaning



**Use:** Product for acrylic and plastic surface cleaning. It contains a low silicone percentage, which deposits on the surface making it brilliant and water-repellent.

*Thanks to its ANTISTATIC properties, use of the product is recommended to eliminate the electrostatic effect generated during removal of the protective film from the polycarbonate or acrylic panels, which attract dust on their surface. To be used with absorbent paper or cloths that do not scratch the surface.*

**Characteristics:** not toxic, eye irritant.

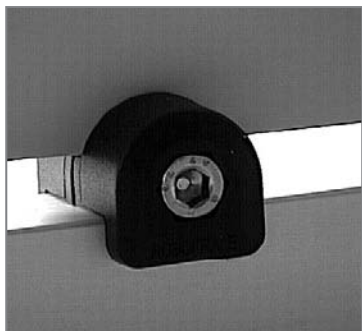
pg.403  Buffers

### QUANTITY DISCOUNT

Qty	1+	2+	4+	8+
Discounts	-	-5%	-10%	on request

Code	Pack	Contents	Weight	Stock	€
		ml	g		piece
692097	1 pc	1000	1000	✓	15,75

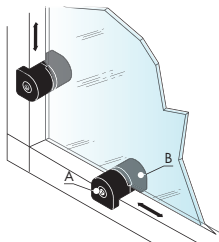
# 1106 Universal fastening clamp



**Use:** to lock panels of different thickness. The distance between the panel and the tube is 7.5 mm, so that the guard can be washed.

**Material** Clamp in reinforced polyamide, nuts and bolts in stainless steel AISI 304.

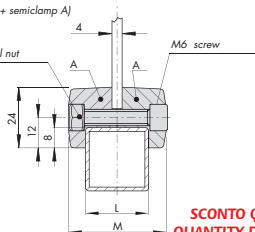
**State of supply** complete with 1 M6 x30 socket head screw and 1 M6 nut.



Cod. 62716

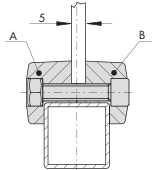
(semiclamp A + semiclamp A)

M6 hexagonal nut



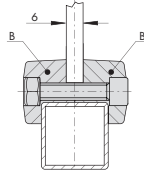
Cod. 693001

(semiclamp A + semiclamp B)



Cod. 693061

(semiclamp B + semiclamp B)



**SCONTO QUANTITÀ**  
**QUANTITY DISCOUNT**

Qty / Quantity	10+	25+	50+	100+
Sconti / Discounts	-	-10%	-17%	a richiesta/on request

Code	Pack	Thickness mm	L mm	M mm	Colour	Weight g	Stock	€ piece
62716	100 pcs	4	25	37	black Ral9005	24	✓	3.11
693001	100 pcs	5	25	37	black Ral9005	24	✓	3.11
693061	100 pcs	6	25	37	black Ral9005	24	✓	3.11
631422	100 pcs	8	25	37	black Ral9005	24	✓	3.11
672257	50 pcs	5	30	45	black Ral9005	28	-	3.11
672267	50 pcs	6	30	45	black Ral9005	32	-	3.11

x Other RAL colours minimum order: 500 pieces, delivery in 20 days

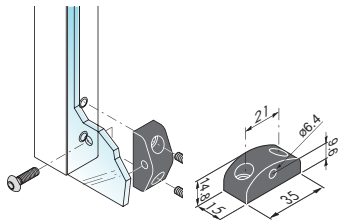
- Products not in stock minimum order: 100 pieces, delivery in 16 days

## 1158 Fastening clamp

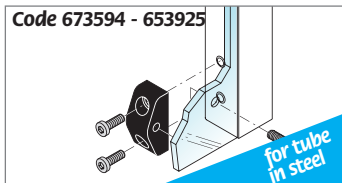


**Use:** to lock panels of different thickness.

**Material** block in reinforced polyamide, screws in stainless steel AISI 304.

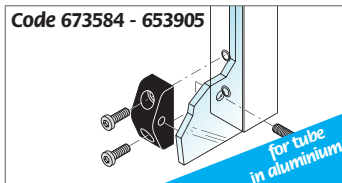


**Code 673594 - 653925**



**State of supply** complete with 2 M4x10 socket head screws, 1 M6x16 hexagon socket pan head screw.

**Code 673584 - 653905**



**State of supply** complete with 2 3.9x19 screws, 1 M6 x16 hex. socket pan head screw.

### QUANTITY DISCOUNT

Qty	1+	25+	50+	100+
Discounts	-	-10%	-17%	on request

Code	Pack	Colour	Weight	Stock	€
			g		piece
673594	50 pcs	grey RAL7016	22	✓	3.24
653925	50 pcs	black RAL9005	22	✓	3.24
673584	50 pcs	grey RAL7016	22	✓	3.24
653905	50 pcs	black RAL9005	22	✓	3.24

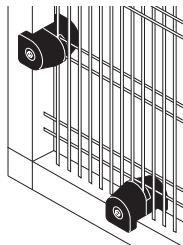
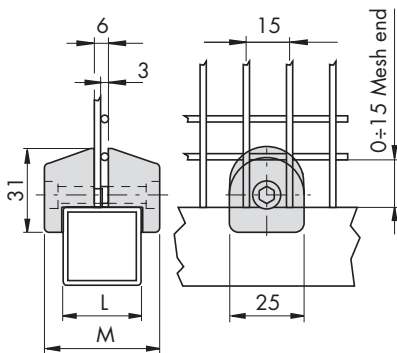
# 1815 Wire mesh clamp



**Use:** to lock panels made of TEC wire mesh, with  $\varnothing$  3 wire. Highly recommended because it is so easy to fit not requiring precise drilling on the framework. With special burglarproof treatment.

**Material** half-clamps in reinforced polyamide, nuts and bolts in AISI 304 stainless steel.

**State of supply** complete with 2 half-clamps, 1 3x32 cylindrical pin, 1 M6x30 socket head screw and 1 M6 nut.



### QUANTITY DISCOUNT

Qty	1+	50+	100+	200+
Discounts	-	-10%	-17%	on request

Code	Pack	L mm	M mm	Colour	Weight g	Stock	€
							piece
627143	100 pcs	25	41	black RAL9005	30	✓	3.10
602053	100 pcs	25	41	grey RAL7016	30	✓	3.10

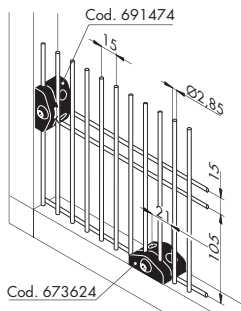
## 1159 Wire mesh block



**Use:** to lock TEC wire mesh panels.

**Material** block in reinforced polyamide, screws and hexagon nut in stainless steel AISI 304.

**State of supply** complete with 1 two-piece block complete with 2 3.9x19 screws, 2 M4x10 socket head screws, 1 M6x20 hex. socket pan head screw, 1 M6 hexagon nut.



### QUANTITY DISCOUNT

Qty	1+	25+	50+	100+
Discounts	-	-10%	-17%	on request

Code	Pack	Position	Colour	Weight	Stock	€
				g		piece
673624	50 pcs	horizontal	grey RAL7016	22	✓	4.93
654005	50 pcs	horizontal	black RAL9005	22	✓	4.93
691474	50 pcs	vertical	grey RAL7016	22	✓	4.93
654035	50 pcs	vertical	black RAL9005	22	✓	4.93

# 1868 Panel quick fastening

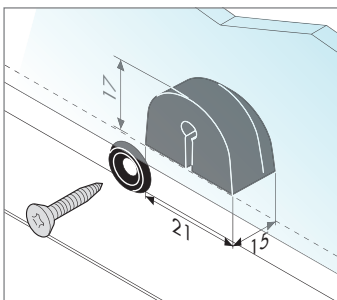
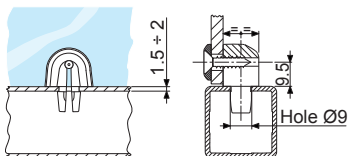


**Use:** to lock panels of different thickness

**Material** block and washer in reinforced polyamide, screws in stainless steel.

**State of supply** 1 panel holder block, 1 washer, 1 4.8x19 self-threading screw UNI 6955.

**Assembly pitch:** fit each block at a distance of 250 mm.



### QUANTITY DISCOUNT

Qty	1+	25+	50+	100+
Discounts	-	-10%	-17%	on request

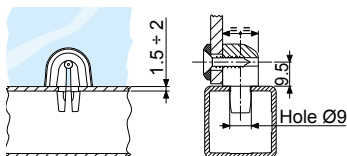
Code	Pack	Colour	Weight	Stock	€
			g		piece
616483	50 pcs	grey RAL7016	7	✓	0.83
616713	50 pcs	grey RAL7039	7	✓	0.83
659093	50 pcs	black RAL9005	7	✓	0.83

## 1889 Fastening block

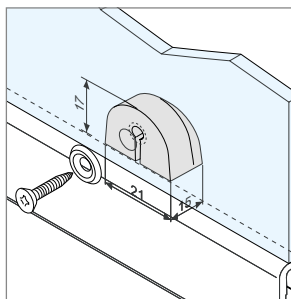
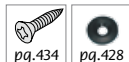


**Use:** to lock panels of different thickness.

**Material:** reinforced polyamide



### Combinations



### QUANTITY DISCOUNT

Qty	1+	25+	50+	100+
Discounts	-	-10%	-17%	on request

Code	Pack	Colour	Weight	Stock	€
			g		piece
627523	200 pcs	grey RAL7016	4	✓	0.69
627533	200 pcs	grey RAL7039	4	✓	0.69
659123	200 pcs	black RAL9005	4	✓	0.69
659113	200 pcs	transparent	4	▪	1.14

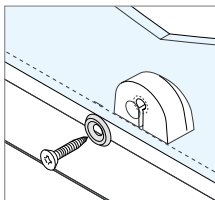
▪ **Products not in stock** minimum order: 1000 pieces, delivery in 15 days.

# 1888 Under head washers in PA

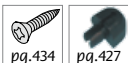


**Use:** to be used as under head part for 4.80 countersunk head self-threading screws.

**Material** reinforced polyamide.



**Combinations**



**QUANTITY DISCOUNT**

Qty	1+	25+	50+	100+
Discounts	-	-10%	-17%	on request

Code	Pack	Colour	Weight	Stock	€
			g		piece
627543	200 pcs	grey RAL7016	1	✓	0.13
627553	200 pcs	grey RAL7039	1	✓	0.13
659143	200 pcs	black RAL9005	1	✓	0.13
659133	200 pcs	transparent	1	▪	0.13

▪ **Products not in stock** minimum order: 1000 pieces, delivery in 15 days.

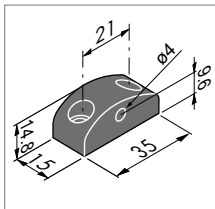
# 1639 Panel fastening block



**Use:** to lock panels of different thickness, only on tubes Part 1604 and Part 1614.

**Material** reinforced polyamide

**State of supply** block without nuts and bolts.



**QUANTITY DISCOUNT**

Qty	1+	25+	50+	100+
Discounts	-	-10%	-17%	on request

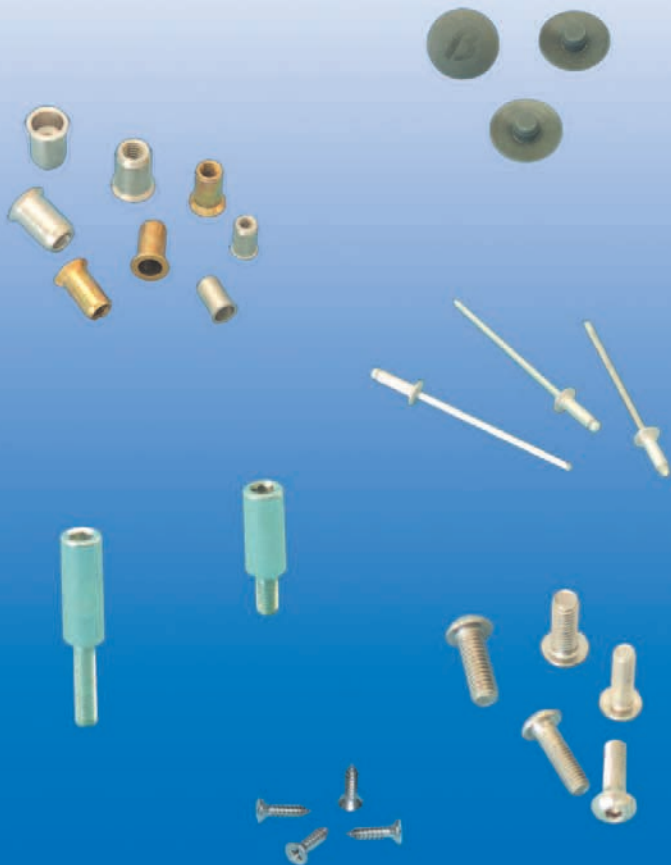
Code	Pack	Colour	Weight	Stock	€
			g		piece
682934	50 pcs	grey RAL7016	6	✓	1.27
682944	50 pcs	grey RAL7039	6	✓	1.27



PACK

pg.454





# Fastening components

Fastening components

---

5 p.432



Pins

---

5 p.436



End caps

---

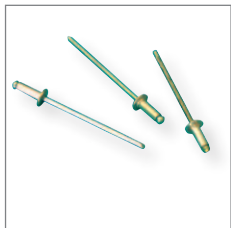
5 p.437



## WARNINGS

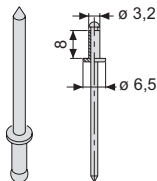
Only the Italian version of this catalogue is to be understood as the original version. Bett Sistemi shall not be held liable for any translation or transcription errors. The information contained in this catalogue is exclusively meant for component description purposes and shall not be understood as a statement made by Bett Sistemi regarding a specific characteristic of the component or its suitability for a specific use. The data provided **shall not relieve the customers from their responsibility to evaluate, check and consequently use any and all components.** All information is based on the data available at the time of publishing and is not binding. Bett Sistemi shall not be held liable for any incomplete or wrong information, and for any damage which may arise in connection with such information. The products may be modified at any time without prior notice, **we therefore recommend that you always check the product updates on the website [www.bettsistemi.com](http://www.bettsistemi.com)**

## 1186 3.2x8 tear-off rivet



**Use:** used to firmly secure the joint to the tube, thereby providing greater robustness.

**Material** code 639501 in stainless steel, code 639511 in aluminium.



Combinations



### QUANTITY DISCOUNT

Qty	1+	500+	1000+	2000+
Discounts	-	-10%	-17%	on request

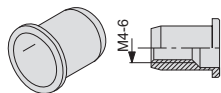
Code	Pack	hole $\varnothing$	Min-max. thickness	Tensile strength	Shear strength	Stock	€
		mm	mm	Kg	Kg		piece
639501	1000 pcs	3.3	3-5	260	250	✓	0.11
639511	1000 pcs	3.3	3-5	100	70	✓	0.02

## 1187 UNI 9203 threaded insert with cylinder head



**Use:** used to secure accessories to the tubes by means of M4 or M6 screws.

**Material** code 639591 - 639521 in stainless steel, code 691522 in aluminium.



Combinations



### QUANTITY DISCOUNT

Qty	1+	100+	200+	400+
Discounts	-	-10%	-17%	on request

Code	Pack	hole $\varnothing$	Min-max. thickness	Tensile strength	Shear strength	Stock	€
		mm	mm	Kg	Kg		piece
639591	200 pcs	M4 6	0.5 ÷ 2	672	315	✓	0.61
639521	200 pcs	M6 9	0.5 ÷ 3	1793	672	✓	0.95
691522	200 pcs	M6 9	0.5 ÷ 3	1793	672	✓	0.18

## 1661

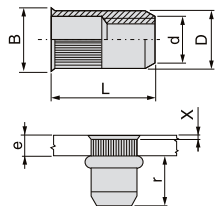
### UNI 9203 threaded insert with countersunk head



**Use:** used to secure accessories to the tubes by means of M4, M5, M6 or M8 screws.

**Material** galvanised steel (code 691592-691602-640612) / stainless steel AISI304 (code 607629).

**Combinations**



#### QUANTITY DISCOUNT

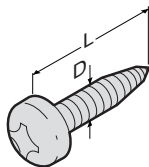
Qty	1+	100+200+	400+
Discounts	-	-10%	-17% on request

Code	Pack	e	d	D	hole	ø	B	X	L	r	Rottura a trazione	Serraggio max	Weig g	Stock	€ piece
691592	200 pz	0,9÷1,9	M4	5,9	6	6,75	0,4	10	6,5÷7	744 Kg	0,4 Kg	1	✓	0.14	
691602	200 pz	0,9÷2,4	M5	6,9	7	8	0,4	12	7,5÷8	1167 Kg	0,7 Kg	2	✓	0.16	
640612	200 pz	0,9÷2,4	M6	8,9	9	10	0,4	13,5	9÷9,7	1723 Kg	1,4 Kg	3	✓	0.21	
607629	200 pz	1,5÷3	M8	10,5	11	12	0,5	16,5	10,7÷11,4	3257 Kg	3,2 Kg	4	✓	0.29	

## 1760 UNI 6954 self-threading pan head screw



**Material** stainless steel



#### QUANTITY DISCOUNT

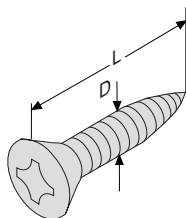
Qty	1+	100+200+	400+
Discounts	-	-10%	-17% on request

Code	Pack	D x L	Weight g	Stock	€ piece
691532	200 pcs	3.9x19		✓	0.06
697552	200 pcs	4.8x16		✓	0.13
691542	200 pcs	4.8x19		✓	0.07

# 1761 Self-threading screw UNI 6955 AB



**Material** stainless steel.



### QUANTITY DISCOUNT

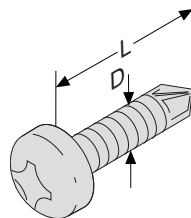
Qty	1+	100+	200+	400+
Discounts	-	-10%	-17%	on request

Code	Pack	D x L	Weight g	Stock	€ piece
627513	200 pcs	4.8x19	2	✓	0.07

# 2474 DIN 7504 self-drilling, galvanised cylinder head screw



**Material** galvanised steel.



### QUANTITY DISCOUNT

Qty	1+	100+	200+	400+
Discounts	-	-10%	-17%	on request

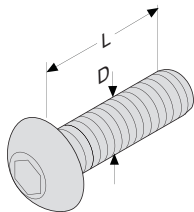
Code	Pack	D x L	Weight g	Stock	€ piece
652444	200 pcs	3.5x13	1	✓	0.09

## 1762 Screw UNI-ISO 7380



**Characteristics:** hexagon socket pan head.

**Material** stainless steel.

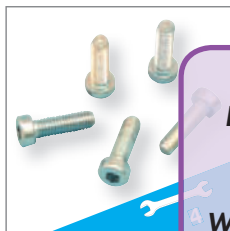


### QUANTITY DISCOUNT

Qty	1+	100+200+	400+
Discounts	-	-10%	-17% on request

Code	Pack	D x L	Weight g	Stock	€ piece
691582	200 pcs	M5x16	3	✓	0.14
691572	200 pcs	M6x16	4	✓	0.22

## 1209 M6x20 screw DIN 7984

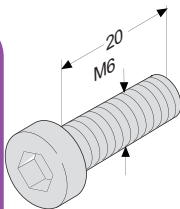


**Characteristics:** cylinder (short) socket head screw.

**Material** stainless steel.

**THIS PRODUCT HAS BEEN UPDATED!**

Download  the Web Novelties



### QUANTITY DISCOUNT

Qty	1+	100+200+	400+
Discounts	-	-10%	-17% on request

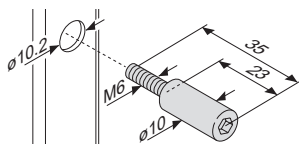
Code	Pack	Weight g	Stock	€ piece
657471	100 pcs	5.5	✓	0.14

## 1640 M6 pin 25x25



**Use:** to fasten the structures to the base, one against the other.

**Material** galvanised steel.



### QUANTITY DISCOUNT

Qty	1+	50+	100+	200+
Discounts	-	-10%	-17%	on request

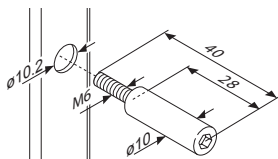
Code	Pack	Screw tightening torque	Weight g	Stock	€ piece
665422	100 pcs	10 Nm	14	✓	0.59

## 1640 M6 pin 30x30



**Use:** to fasten the structures to the base, one against the other.

**Material** galvanised steel.



### QUANTITY DISCOUNT

Qty	1+	50+	100+	200+
Discounts	-	-10%	-17%	on request

Code	Pack	Screw tightening torque	Weight g	Stock	€ piece
665432	100 pcs	10 Nm	18	✓	0.76

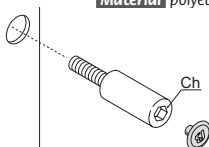
## 949 Screw cap



**Use:** to cap the screw head.

**Fitting:** pressure-fitted into the hexagon wrench housing.

**Material** polyethylene.



### QUANTITY DISCOUNT

Qty	1+	100+	200+	400+
Discounts	-	-10%	-17%	on request

Code	Pack	Ch	Colour	Weight g	Stock	€ piece
661401	200 pcs	4	grey RAL7016	0.2	✓	0.15
661421	200 pcs	4	grey RAL7035	0.2	✓	0.15
63129	200 pcs	4	black RAL9005	0.2	✓	0.15
691821	200 pcs	4	neutral	0.2	▪	0.15
661391	500 pcs	5	grey RAL7016	0.3	✓	0.16
661411	500 pcs	5	grey RAL7035	0.3	✓	0.16
63119	500 pcs	5	black RAL9005	0.3	✓	0.16
691831	500 pcs	5	neutral	0.3	▪	0.16

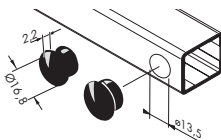
▪ **Products not in stock** minimum order: 5000 pieces, delivery in 15 days.

## 882 Hole cap Ø13.5



**Use:** to cap Ø 13.5 holes (spot-faced holes for plugged fastenings)

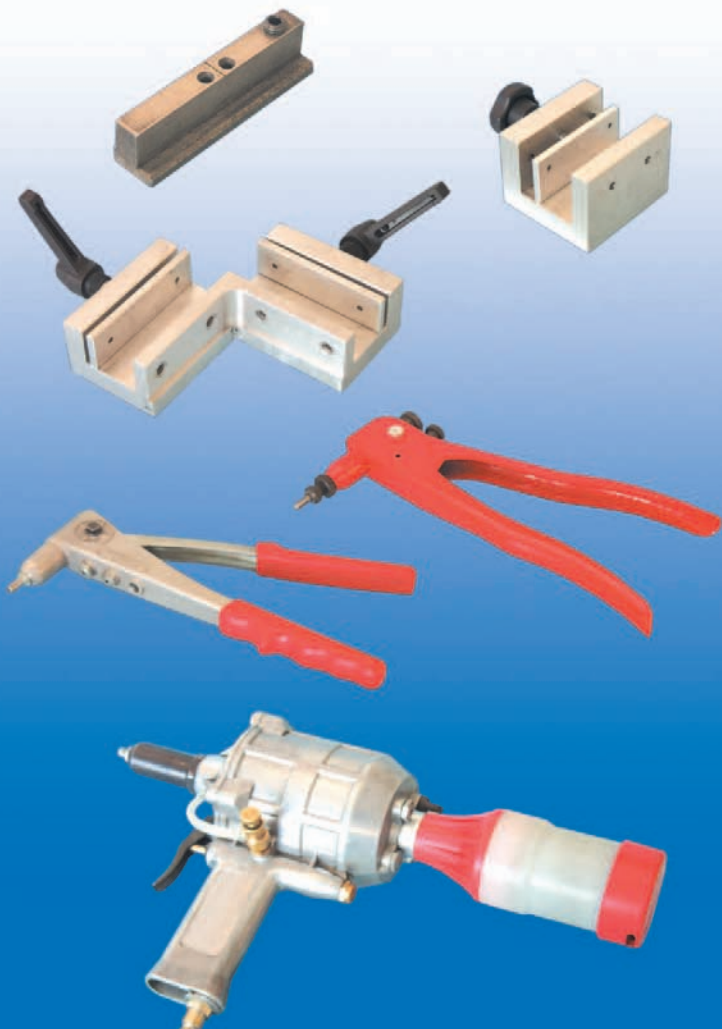
**Material** Polyethylene



### QUANTITY DISCOUNT

Qty	1+	25+	50+	100+
Discounts	-	-10%	-17%	on request

Code	Pack	Colour	Weight g	Stock	€ piece
68065	50 pcs	black RAL9005	0.5	✓	0.35
615121	50 pcs	grey RAL 7016	0.5	✓	0.35
657451	50 pcs	grey RAL 7035	0.5	✓	0.35
68055	50 pcs	neutral	0.5	✓	0.35



# Working tools

FOOD



PACK



Drilling jigs

---

5 p.440



Working tools

---

5 p.446



## WARNINGS

Only the Italian version of this catalogue is to be understood as the original version. Bett Sistemi shall not be held liable for any translation or transcription errors. The information contained in this catalogue is exclusively meant for component description purposes and shall not be understood as a statement made by Bett Sistemi regarding a specific characteristic of the component or its suitability for a specific use. The data provided **shall not relieve the customers from their responsibility to evaluate, check and consequently use any and all components.** All information is based on the data available at the time of publishing and is not binding. Bett Sistemi shall not be held liable for any incomplete or wrong information, and for any damage which may arise in connection with such information. The products may be modified at any time without prior notice, **we therefore recommend that you always check the product updates on the website [www.bettsistemi.com](http://www.bettsistemi.com)**

## 1647 For **Part 1630**



### QUANTITY DISCOUNT

Qty	1+	2+	4+	8+
Discounts	-	-10%	-17%	on request

Code	Pack	Weight	Stock	€
		g		piece
686622	1 pcs	966	✓	197.94

## 1648 For **Part 1629**

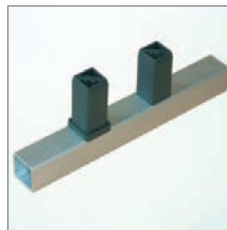


### QUANTITY DISCOUNT

Qty	1+	2+	4+	8+
Discounts	-	-10%	-17%	on request

Code	Pack	Weight	Stock	€
		g		piece
686632	1 pcs	870	✓	215.30

## 1740 For Part 1602-1634



### QUANTITY DISCOUNT

Qty	1+	2+	4+	8+
Discounts	-	-10%	-17%	on request

Code	Pack	Weight	Stock	€
		g		piece
686652	1 pcs	414	✓	113.57

## 1741 For Part 1603-1613

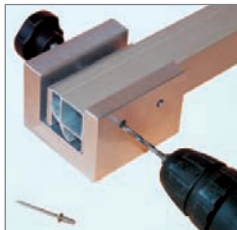


### QUANTITY DISCOUNT

Qty	1+	2+	4+	8+
Discounts	-	-10%	-17%	on request

Code	Pack	Weight	Stock	€
		g		piece
686662	1 pcs	136	✓	55.01

## 1742 For **Part 1186**



### QUANTITY DISCOUNT

Qty	1+	2+	4+	8+
Discounts	-	-10%	-17%	on request

Code	Pack	Weight	Stock	€
		g		piece
686672	1 pcs	660	✓	117.06

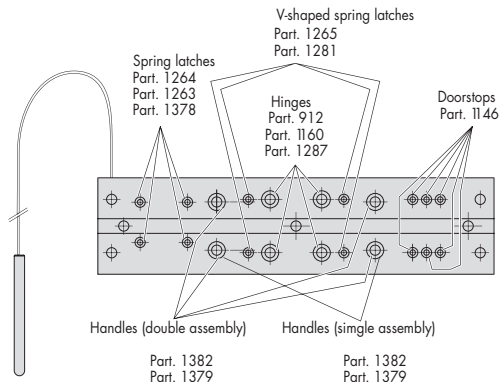
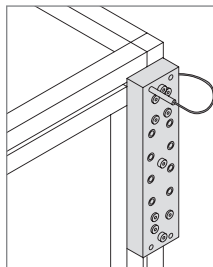
## 1112

## Universal



**Use:** Drilling jig for the accessories shown in the figure.

**Material:** Body in anodised aluminium, reference pin in stainless steel AISI 303.



### QUANTITY DISCOUNT

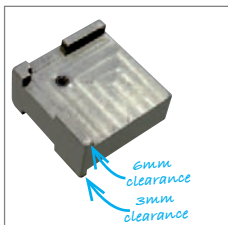
Qty	1+	2+	4+	8+
Discounts	-	-10%	-17%	on request

Code	Pack	Weight	Stock	€
		g		piece
652312	1 pcs		✓	428.33

NOTE: for proper use of the drilling jig, request the relative technical data sheet from our Sales Department.

## 4138

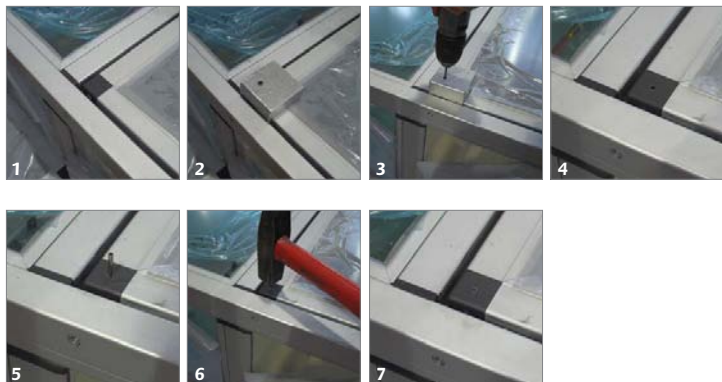
## For Part 1646-3227-1850-3247-1854-3237



**Use:** Drilling jig for broaching the pin to the joint.

**Material** body in anodised aluminium, drilling bushing in special steel.

**Characteristics:** one side of the jig is to be used for the framework/door=3mm clearance, 'the other side for the=6 mm clearance.



### QUANTITY DISCOUNT

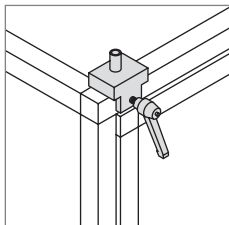
Qty	1+	2+	4+	8+
Discounts	-	-10%	-17%	on request

Code	Pack	Door	Weight	Stock	€
			g		piece
691447	1 pcs	<a href="#">Series 25</a>	480	▪	
691457	1 pcs	<a href="#">Series 30</a>	480	▪	

▪ **Products not in stock** minimum order: 1 piece, delivery in 15 days.

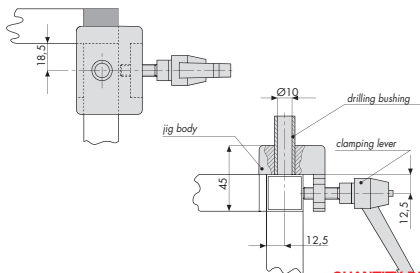
## 1113

## For hinge **Part 1108**



**Use:** Drilling jig for the accessories shown in the figure.

**Material** Body in anodised aluminium, reference pin in stainless steel AISI 303.



### QUANTITY DISCOUNT

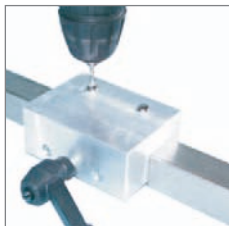
Qty	1+	2+	4+	8+
Discounts	-	-10%	-17%	on request

Code	Pack	Stock	€
62856	1 pcs	✓	127.24

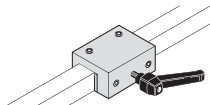
NOTE: for proper use of the drilling jig, request the relative technical data sheet from our Sales Department.

## 1873

## TEC wire mesh holder **Part 1815**



**Material** anodised aluminium body, ratchet lever in thermoplastic material with stainless steel threaded pin.



### QUANTITY DISCOUNT

Qty	1+	2+	4+	8+
Discounts	-	-10%	-17%	on request

Code	Pack	Weight	Stock	€
616883	1 pcs	g 384	✓	94.64

# 1188 Manual riveting machine **Part 1186**

Use: for tear-off rivets  $\varnothing 2.4 + 4.8$  (all alloys).



### QUANTITY DISCOUNT

Qty	1+	2+	4+	8+
Discounts	-	-10%	-17%	on request

Code	Pack	Weight g	Stock	€ piece
639531	1 pcs	520	■	46.64

■ **Products not in stock** minimum order: 1 piece, delivery in 15 days.

# 1188 For threaded inserts **Part 1187-1661**

Use: for M3 - M6 inserts.



### QUANTITY DISCOUNT

Qty	1+	2+	4+	8+
Discounts	-	-10%	-17%	on request

Code	Pack	Weight g	Stock	€ piece
639541	1 pcs	735	■	127.02

■ **Products not in stock** minimum order: 1 piece, delivery in 15 days.

# 1189 Pneumatic riveter **Part 1186**



**Use:** for tear-off rivets  $\varnothing 2.4 + 4.8$  (the latter one in aluminium only).

**QUANTITY DISCOUNT**

Qty	1+	2+	4+	8+
Discounts	-	-10%	-17%	on request

Code	Pack	Weight	Stock	€
		g		piece
639551	1 pcs	1400	■	245.35

■ **Products not in stock** minimum order: 1 piece, delivery in 15 days.

# 1189 For threaded inserts **Part 1187-1661**



**Use:** for M3 + M8 inserts.

**QUANTITY DISCOUNT**

Qty	1+	2+	4+	8+
Discounts	-	-10%	-17%	on request

Code	Pack	Weight	Stock	€
		g		piece
639561	1 pcs	4600	■	1,201.30

■ **Products not in stock** minimum order: 1 piece, delivery in 15 days.



# KanBan



- **In loose parts**

The ideal solution for those who occasionally construct guards or structures and do not want to stock materials.



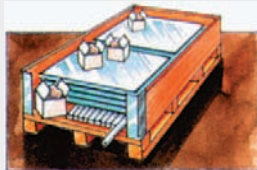
- **In standard packs**

The ideal solution for those who need to construct several different structures.



- **In kits**

We supply all the components (profiles, panels cut to size) and the accessories disassembled, together with the assembly drawing. This is the ideal solution for those who use their own manpower and do not want to keep needless stock or run the risk of errors during construction, yet having the advantage of one supplier.



- **KanBan**

KanBan is a Japanese word that literally means "signboard". This term stands for one of the elements of the Just-in-Time system aimed at replenishing stock as it is used. The KanBan, which shows the type of material used for a certain process, is affixed on a standard container that is reused once it is empty. The real-time supply flow avoids stockpiling and any costs incurred in connection with the use of throwaway packaging.





- **Benefits for the client**

- Reduced stock
- Fast response to changes in demand
- Reduced packaging costs by using reusable containers
- Energy recovery
- Simplified planning
- Reduced management costs

- **Agreements and definitions**

- Replenishment area
- Container, container parts, container label with bar code

- **Flows**

- Consumption estimates
- Delivery documents
- Inventory

- **Client activities**

- Stock surveillance

- **Supplier activities**

- Provisional consumption order management
- Quality management
- Empty container retrieval management
- Stock replenishment management
- Obsolete stock retrieval (standard items)

- **Conclusions**

Over the years BETT SISTEMI has gained the experience to manage the KanBan supply process and for this reason it is considered the ideal partner to satisfy your warehouse restocking requirements.

# Consignment Stock



- **In Consignment stock**

Using consignment stock, the supplier transfers his goods to the client, who can use the stock at any time based on his requirements.

Only after the client has actually withdrawn the goods:

- ownership of the goods is transferred from the supplier to the client
- the supplier issues an invoice for the goods actually used.

- **Benefits for the client**

- Reduced stock
- Reduced management costs
- Restocking is managed by the supplier
- Payment of actual consumption

- **Agreements and definitions**

- Reserved warehouse area
- Warehouse shelf labelling (barcode)
- Client's and supplier's part number matching
- Package, pieces per package, box label bearing the client's part number in barcode
- Restocking times and procedures

- **Flows**

- Consumption estimates (provisional orders)
- Consignment stock delivery documents
- Goods picking documents generated with barcode readers
- Invoicing of the goods withdrawn
- Inventory



- **Client's activities**

- Stock monitoring
- Goods picking read with barcode readers
- Management and control of consignment stock on the portal made available by the supplier.

- **Client's hardware**

- Personal computer with Internet access

- **Supplier activities**

- Provisional consumption order management
- Quality management
- Service management
- Stock replenishment management
- Obsolete stock retrieval (standard items)

- **Hardware and software provided by the supplier**

- Barcode readers
- Consignment stock portal where the client manages the stock, consumption, invoices due, delivery estimates, etc.

- **Conclusions**

Over the years BETT SISTEMI, has attained the know-how and proper philosophy to manage the Consignment Stock supply process, and for this reason it is the ideal partner to satisfy your warehouse restocking requirements.

# How we supply the structures



## ***In preassembled panels***

This means that you receive preassembled walls complete with doors and safety switches together with the assembly instructions. This is the ideal solution to optimise transport costs in the case of long distances and to speed up installation, in particular on operating machines.

## ***In assembled panels ready for installation***

This means that you receive a structure complete with fitted panels and doors with safety switches. The structure is thus ready for installation on the machine. This is the ideal solution for those who require a turnkey service or for those who reside nearby our Bett Service Centres.

**Please do not hesitate to ask for support from the local Bett Service System Partners whenever you require more than just components or preassembled kits and if you need turnkey solutions.**

**Tel. +39 0522 635111 - mail: [bsistemi@bettsistemi.com](mailto:bsistemi@bettsistemi.com)**

## For further services



Tel: +39 0522 635111

Please do not hesitate to ask the Bett Service System Partners for further assistance whenever you require more than just components or preassembled kits and what you need are turnkey solutions, even at your premises.

Where:

**Correggio**

**Faenza**

**Bologna**

**Milan**

**Italy**

**Switzerland**

**Zurich**

**Barcelona**

**Madrid**

**Spain**

**Holland**

**Utrecht**

**Stuttgart**

**Germany**

**Australia**

**Melbourne**

**Toronto**

**Canada**



The BETT SERVICE SYSTEM PARTNERS are centres authorised by BETT SISTEMI with the aim of adding value to the "Original components", offering engineering skills and services. In addition, they work as application centres for anyone who requires more specific services than those usually offered in our handbooks. In addition to a major Bett Sistemi's in-house System Partner, there are Authorised Centres located in a number of cities throughout Italy and abroad.



**PACK**

References from **BETTI** SISTEMI  
SERVICE  
system partner

Discover all the solutions  
realized with our components

[www.bettisistemi.com](http://www.bettisistemi.com)

Click here



For further  
services



Tel: +39 0522 635111

Please do not hesitate to ask for support from the Betti Service System Partners when you require more than just components or preassembled kits and what you need are turnkey solutions.

Where:

Correggio

Faenza

Bologna

Milan

Italy

Switzerland Zurich

Barcelona

Madrid

Spain

Holland Utrecht

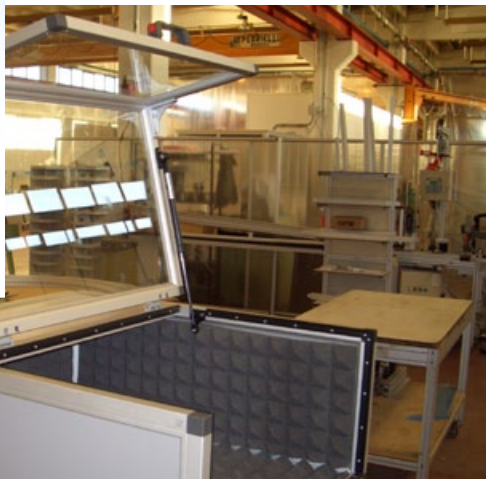
Stuttgart

Germany

Australia Melbourne

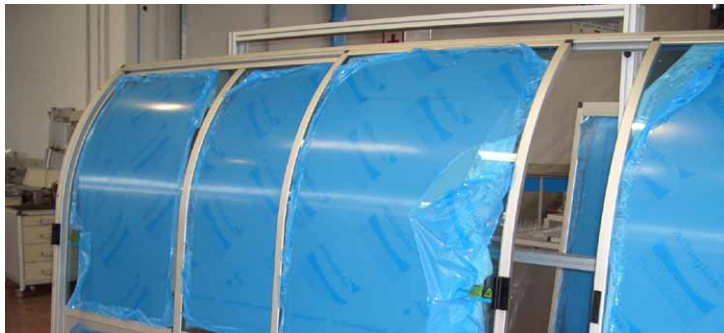
Toronto

Canada





PACK







PACK







FOOD







FOOD

References from **BETT** SYSTEMS  
SERVICE  
system partner





HAND  
BOOK

1  
2011

Connectors,  
positioners and  
format change units

+39 0522 635111  
www.bettsistemi.com



## Connectors



Technical information and application diagrams



Single-hole

from Ø12 and Ø10.



Cross

from Ø10 to Ø60 and from Ø8 to Ø16.



With flange

from Ø10 to Ø60 and from Ø8 to Ø10.



With pedestal

from Ø18 to Ø60.



For articulated joints

from Ø20 to Ø50.



Combinations and accessories



# Sliding bushes



Flange mount with anti-friction bushing

1



With flange with anti-friction bushing

1



Guided fitting with anti-friction bushing

1



Flange mount with linear bearing

1



With flange with linear bearing

1



Combinations

1



# Connectors

MENS

Technical information and application diagrams

1



Cross

Ø12 to Ø48.3

1



With flange

from Ø16 to Ø48.3

1



Orthogonal

Ø26.9 – Ø48.3

1



Support head

Ø48.3

1



Accessories



# Connectors

for product proximity sensors  
and conveyors

Technical information and application diagrams



Photocell holder connectors.



Reflector holder connectors



Cross connectors



Flange connectors



Support kits



Support kits



## Technical information



Advantages - Maximum application flexibility



Nuts and bolts and tightening



Connector surface finishes



Hole size



Load diagrams for control panel supports



Mechanical properties



Application suggestions



# Connectors

for control panel supports



Technical information and application diagrams



Swivel support kit **3-axis**



Swivel support kit **3-axis**



Swivel support kit **3-axis**



Fixed support kit



Combinations and accessories



# Column positioners for Setup



Cross with ground pedestal



Cross



With 1 carriage



Accessories



# Profile positioners for Setup



Technical information and application diagrams



Cross



With 1 carriage



Light



Accessories



For synchronisation



# Positioners for format change



Technical information and application diagrams



Column with 2 opposed carriages



12-4 opposed carriages in profile



2-4 opposed carriages in octagonal profile



Linked carriages in octagonal profile



Pantograph system



For synchronisation



# Accessories



Handwheels



Revolution counters



Motor-drive kit



Bracket fittings



Additional accessories for positioners



# Combinations



Connection tubes and rods



Caps for tubes



Square rods



Rods with millimetre marking



Labels with millimetre marking



Product containment and conveying accessories



**BETT** Original **COMPONENTS**

HAND BOOK  
**2**  
2011

Guides and linear tables

439 0522635111  
www.bettsistemi.com

3D

ROBO linear

## Components for the DIY construction of "C" shaped linear guides

C-shaped profile guide

2

Runner for sliding

2

Rollers runner

2

Rollers

2

End cap

2

End-stop buffer kit

2

## Components for the DIY construction of "J" shaped linear guides



J-shaped guide profile

2



Rollers runner

2



Rollers

2



End cap

2



End-stop buffer kit

2



## Components for the DIY construction of linear guides with "C" shaped rounds



C-shaped guide with rounds

2



Steel rollers runner with race

2



End cap

2



End-stop buffer kit

2



## Components for DIY construction of **C-shaped linear guides with rods**



C-shaped guide with rods

2



Runner with steel rollers and race

2



End cap

2



End-stop buffer kit

2



## Sliding shafts and bushes



Flange mount with anti-friction bushing

2



With flange with anti-friction bushing

2



Guided snap-fitting with anti-friction  
bushing

2



Flange mount with linear bearing

2



With flange with linear bearing

2



Sliding shafts

2



## Components for the DIY construction of Ø12 double linear guides



Profile with Ø12 shaft kit

2



Guide profile stopper block

2



Roller with gothic arch **D12**

2



Robomec carriage complete with rollers

2



## Components for the DIY construction of Ø12 motorisable linear guides



45x90 and 90x90 Beam

2

45x90 Series



2

90x90 Series



Drive and idler heads

2



2



Profile carriage with belt stretcher block

2



2



Guide profile with Ø12 shaft

2



Belt

2



Cable holder chain kit

2



## Components for the DIY construction of 10 - Ø12 double linear guides



Ø10 Double guide

2



Carriage for Ø10 guide

2



Ø10 Double guide with carriage

2



Ø12 Double guide

2



Carriage for Ø12 guide

2



Ø12 Double guide with carriage

2



Accessories: end-stop sensors and stop

2



2

## 55x55 Motorisable Ø6 linear guides in pre-assembled kits



With narrow carriage

2



Bracket fitting nut

2



## Components for the DIY construction of 20 double linear guides



Ø20 Double guide

2



Ø20 Double guide

2



Ø20 Carriage

2



Ø20 Carriage

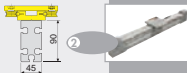
2



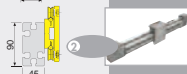
## 45x90 Motorisable Ø10 linear guides in pre-assembled kits



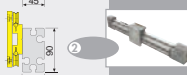
With upper single carriage **LGMA**



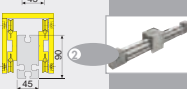
With **AGMA** right-side single carriage



With **MGMA** left-side single carriage



With **EGMA** combined double carriage



## Components for the DIY construction of linear tables with manual drive



Pre-assembled linear table kit



Double guide



Heads



Screw jack and threaded spiral



Carriages



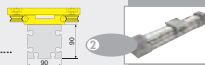
Tachometers, handwheels and knob



## 90x90 Motorisable Ø20 linear guides in pre-assembled kits



With upper single carriage **HGMD**



With right-side single-carriage **BGMD**



With left-side single carriage **NGMD**



## Components for the DIY construction of inear tables



Heads	
Carriages	
Extruded for special carriages and heads	
Sliding bushings	
Sliding shafts	
Screws and metric spiral, trapezoidal and ball recirculating	
Tachometers and handwheels	

## Components for the DIY construction of 45x90 motorisable Ø10 linear guides



45x90 Beam	
Motive head	
Idler head	
Guide with carriage	
Belt	
Cable holder chain kit	

**BETTI** Original COMPONENTS

HAND BOOK  
**3**  
2011

Handles,  
hinges and feet

+39 0522 635111  
www.bettisistemi.com

Proda 3D

## Hinges



In plastic

3



In aluminium

3










In stainless steel

3









## Handles







- Handles ..... 3 
- Handles and screw caps  ..... 3 
- Modular and screw caps ..... 3 
- For pharmaceutical use (Pharma) ..... 3 
- Cremona handles ..... 3 
- Snap-handles ..... 3 

## Feet and support bases



- Polyamide feet and foot kit with threaded caps ..... 3 
- Stainless steel feet ..... 3 
- Wheels ..... 3 
- Threaded caps and end caps for tubes ..... 3 
- Bases ..... 3 
- Tubes ..... 3 

## Doorstops

- Snap-type ..... 3 
- With magnet ..... 3 
- With key ..... 3 
- With socket head screw ..... 3 



**BETTI** Original **COMPONENTS**

HAND BOOK  
**4**  
2011

**Structural profiles and accessories**

+39 0522 635111  
[www.bettisistemi.com](http://www.bettisistemi.com)

ROBOMECH  
3D

Fax: +39.0522.635222    [bsistemi@bettisistemi.com](mailto:bsistemi@bettisistemi.com)

# Aluminium profiles

System characteristics and technical information

4



Calculations and technical information

4



For guards

4



Structural profiles with open, closed and openable grooves

4



Hot-rolled profiles

4



Other profiles

4



# Rubber and plastic profiles

For groove closing and buffer fastening

4



For removable buffer fastening

4



Sliding

4



Sealing

4



Anti-slip and anti-shock

4



## Coupling parts



Nuts and bolts

4



Fastening tie-rods

4



Joints and adapters

4



Stiffening angles

4



Stiffening flanges

4



Brackets

4



## Mounting and levelling components



Wheel and foot holder flanges

4



Stiffening and anti-shock flanges

4



Feet

4



Wheels

4



Support and anchoring bases

4



Flat spirit level

4



## Components for linear handling



C-shaped guide and accessories

4



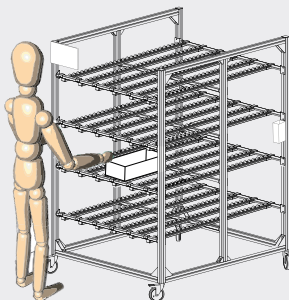
C-shaped guide with Ø7 rods and accessories

4



Ø12 single linear guide and accessories

4



## Lean products Components for roller units



Rollers

4



Load-bearing balls

4



Omnidirectional rollers

4



Track roller units

4



Accessories for track roller units

4



Idle rollers and components for roller units

4



# Lean products "Easy" line



Technical informations

4



Profile

4



Joint Kits

4



Roller units, supports and guides

4



Feet e wheels

4



Accessories

4



# Lean products Components for trolleys



Guide to DIY frame construction

4



Guide to DIY shelf construction

4



Control handlebars

4



Accessories

4



Customised trolleys on the customer's request

4



# Profile surface finishes

## Standard finishes

Scratchproof, corrosion-proof and maintenance-free surface:

- **Natural anodisation** 15 µm silver-coloured
- **Elox** = 15 µm anodizing +titanium-shade electrocolouring with brushed finish (check stock availability in the product tables).

## - Finishes on request



- **Non-anodised profile:** minimum quantity 500 kg, delivery in 30 working days.
- Smaller quantities are possible on the condition that the delivery date coincides with our stock replenishment (on average every 3 months).
- **Anodisation in different colours;**

**Sanded black anodized finish, 15 µm :**

Profile weight [Kg/m]	Price for black anodized finish	Extra charges (for orders lower than standard quantities or lengths lower than 6 m)		
	Standard pack Length L=6 m	Smaller quantities (L=6 m)	Lower length	
			da 3,5 a 5,99 m	L<3,5 m
up to 1	2,36 €/Kg of profile	+10%	+40%	+60%
from 1,01 a 2,49	2,00 €/Kg of profile	+10%	+40%	+60%
over a 2,5	1,83 €/Kg of profile	+10%	+40%	+60%

Price for black anodised bar: calculate the price for anodized finish (table above) and add it to the price of the standard silver anodised profile

Example: 12 metres profile 32x90 Part 8390 (2.64 kg/m) in 3 m bars (4 bars).

Price for anodized finish = 2.64 [kg/m] \* (1.83+60%) [€/kg] = 7.74 €/m 7.74 \* 3 = 23.22 €/bar

Price for black anodised bar = 23.22 + 81.66 (price for standard bar) = 104.88 €t

**Delivery time is 15 days** from order acceptance.

Extra charge for black anodised profile handling	10 ÷ 100 Kg	€ 70	Example: 12 m profile 32x90 2,64 [kg/m] * 12 = 31,68 Kg Total price 70 + (104,88 * 4) = 489.52 €
	101 ÷ 200 Kg	€ 140	
	201 ÷ 300 Kg	€ 210	

## Anodization with scratchproof treatment

Increases the resistance to abrasion and rubbing, improves the mechanical performance of the product and enhances the aesthetics making the treated surfaces shinier.

This treatment ensures better preservation of the aesthetic quality of the products over time.

## Anodised profile pickling

The pickling treatment allows breaking up the anodizing oxide (returning the profile surface to an untreated state).

**WARNING:** this treatment affects the dimensions of the profile section making the external shape smaller and the internal grooves and holes bigger (removal of about 20  $\mu\text{m}$  on each surface..)

Price for pickling profiles in bars Length from 5000 to 6000 mm	Price for pickling profiles in pieces Length less than 5000 mm
€ 1.2/kg of profile	€ 0.60/kg of profile

Price for pickled profile: calculate the price for pickling (table above) and add it to the price of the standard anodised profile

Delivery time is 15 **working days** from order acceptance.

Extra cost for pickled profile handling	10 ÷ 100 kg	€ 70
	101 ÷ 200 kg	€ 140
	201 ÷ 300 kg	€ 210

- **Powder-coating** (polyester resins), minimum thickness 60 µm, conform to the technical specifications of the QUALICOAT quality marking. This particular type of coating allows painted profiles to be hot-rolled, which is not possible when profiles are painted after anodisation (in this case the paint would crack).

**RAL 9001**

White

**RAL 7043**

Grey

**RAL 7010**

Dark grey

**RAL 9004**

Black

**RAL 3020**

Red

**RAL 5012**

Sky-blue

**RAL 1021**

Yellow

**RAL 8017**

Brown

**Price for painting profiles in bars**

Length from 5000 to 6000 mm

€ 2.43/kg of profile

**Price for painting profiles in pieces.**

Length less than 5000 mm

4.86/kg of profile

Price for painted profile: calculate the price for painting (table above) and add it to the price of the standard anodised profile

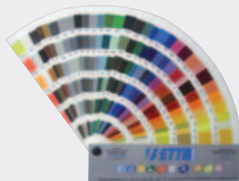
The minimum batch of profiles paintable is **60 kg** (for each individual colour). For lower quantities, a lump sum of € 150.00 will be added. € Delivery time is **20 working days from order acceptance**.

**Extra cost for painted profile**

10 ÷ 100 kg	€ 70
101 ÷ 200 Kg	€ 140
201 ÷ 300 Kg	€ 210

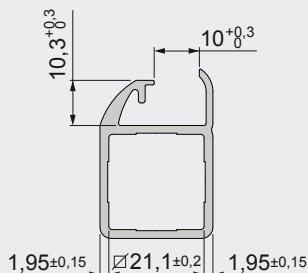
### Other colours on request

Ask us for our RAL colour range (Code P0000 02746) to see the colours available. Ask us for prices and delivery times.

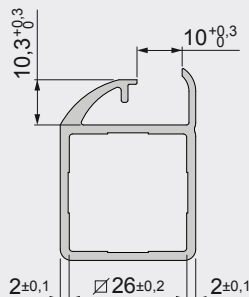


## Main dimensional tolerances

### Series 25



### Series 30



## Profile Material

EN AW-6060 aluminium (Al Mg Si 0.5 F22...25) hardened and tempered (T5)

Percentage chemical composition

Cu max	Fe	Mg	Si	Mn max	Zn max	Ti max	Cr max	Other impurities		Al
								Maximum each	Maximum total	
0,10	0,10 0,30	0,35 0,60	0,30 0,60	0,10	0,15	0,10	0,05	0,05	0,15	Remainder

Specific weight

Elasticity limit

Ultimate tensile strength

Elongation

Elasticity modulus

Brinell hardness

Thermal expansion coefficient

2.70 kg/dm<sup>3</sup>

Rp0,2 = 180...200 N/mm<sup>2</sup>

Rm = 200...250 N/mm<sup>2</sup>

11

E = 70000 N/mm<sup>2</sup>

G = 27000 N/mm<sup>2</sup>

HB 75

24 · 10<sup>-6</sup> K<sup>-1</sup>



Bett Sistemi components may be used in contact with chemical substances in normal operating conditions.

**Never use acids with pH < 4, bases with pH > 9, and never expose to chlorinated hydrocarbons such as trichloroethylene for long periods of time.**

The following table specifies the resistance to the various chemical agents of the individual materials.

The concentration and the form of some of these substances may cause different reactions.

Chemical agent	Material																			
	Anodised aluminium Elox aluminium		Galvanised steel		AISI 303 stainless steel		AISI 304 stainless steel		AISI 316 stainless steel		AISI 430F stainless steel		Nickel-plated steel / brass		Resatron®		Adiprene		Shockproof acrylic	
	9%	23°C	9%	23°C	9%	23°C	9%	23°C	9%	23°C	9%	23°C	9%	23°C	9%	23°C	9%	23°C	9%	23°C
Vinegar		●		●		●		●		●		●		●		●		●		●
Acetone	50	●		○	50	●	50	●	100	●	100	●		●	100	●		●		○
Acetic acid	20	●		○	20	●	20	●	20	●	20	○		●	5	○	sol. 20	●	10	●
Boric acid	100	●		○	100	●	100	●	100	●	100	●		●	5	○		●		●
Butyric acid	5	●		○	5	●	5	●	5	●	5	●		●	10	○		●	5	●
Citric acid	5	●		○	5	●	5	●	5	●	5	●		○	10	●				
Hydrochloric acid		○		○		○		○		○		○		●	2.5	●	20	●	40	●
Hydrofluoric acid		○		○		○		○		○		○						40	●	○
Formic acid	5	○		○	5	●	5	●	5	●	5	○		●	90	○		●		○
Phosphoric acid	10	○		○	10	○	10	○	10	●	10	○		○	5	○	20	○	10	●
Lactic acid	5	●		○	5	●	5	●	5	●	5	●		○	10	●			10	●
Nitric acid	10	●		○	10	●	10	●	10	●	10	●			10	○	10	○	20	●
Oleic acid	100	●		○	100	●	100	●	100	●	100	●		●				●		

● = good resistance ● = medium resistance ○ = poor resistance



		Material														Chemical agent								
		Polycarbonate		ABS		Laminata		Polyamide		Polypropylene		Polyethylene PE		Polyethylene HDPE			Polyurethane		Rubber		Polyacetal		PVC	
		ae	23°C	ae	23°C	ae	23°C	ae	23°C	ae	23°C	ae	23°C	ae	23°C	ae	23°C	ae	23°C	ae	23°C	ae	23°C	
							●		●		●		●				○		●		●		Vinegar	
			○		○		●	100	●		●		●				○		○		●	5	●	Acetone
		20	●	5	●		●	Sol. 10	○		●	10	●			Sol. 10	○		○	5	○	10	●	Acetic acid
							●	Sol. 10	●	40	●	Sat.	●			Sat.	●	Sol.	●				●	Boric acid
			○				●		○	Sat.		●					○				○	1	●	Butyric acid
				10	●		●	Sol. 10	●		●		●			●		●		●			●	Citric acid
				10	●		○	Sol. 10	○	Sol. 10	●	37	●			Sol. 30	○	Sol. 10	●	37	○	36	●	Hydrochloric acid
							○	Sol. 40	○	30	●	70	●					65	○		●	3	●	Hydrofluoric acid
		30	○	10	●		○	10	○	40		10	●		10	○				10	○	2.5	●	Formic acid
				10	●		○	Sol. 10	○		●	95	●			Sol. 20	●	Sol. 20	●	10	○		●	Phosphoric acid
				10	●		●	Sol. 10	●	Sol. 85	●		●			○	Sol.	●		●	●	85	●	Lactic acid
							○	10	○	Sol. 20	●	5	●			Sol. 10	○	5	○	5	○	25	●	Nitric acid
			●		●		●	100	●		●		●			●		●						Oleic acid

● = good resistance ● = medium resistance ○ = poor resistance



Chemical agent	Material																			
	Anodised aluminium Elox aluminium		Galvanised steel		AISI 303 stainless steel		AISI 304 stainless steel		AISI 316 stainless steel		AISI 430F stainless steel		Nickel-plated steel / brass		Resatlon®		Adiprene		Shockproof acrylic	
	%	23°C	%	23°C	%	23°C	%	23°C	%	23°C	%	23°C	%	23°C	%	23°C	%	23°C	%	23°C
Sulphuric acid	10	☉		○	10	○	10	○	10	☉	10	○		●	30	○			40	●
Tartaric acid	10	☉		○	10	●	10	●	10	☉	10	●		○				●	50	●
Chlorinated water		○		○		○		○		☉		○			5	☉				☉
Distilled water	10	●		●		●		●		●		●				●				●
Fresh water		●		●		●		●		●		●				●				●
Sea water		●		○		●		●		●		○		●		●				●
Oxygenated water	30	○		○	30	●	30	●	30	●	30	●		☉					40	●
Turpentine		●		☉		●		●		●		●								
Water and soap		●		●		●		●		●		●				●				
Alkylphenol ethoxylate																				
Ethyl alcohol	10	●		☉	10	●	10	●	10	●	10	☉		●				○		
Methyl alcohol	100	●		○	100	☉	100	☉	100	☉	100	☉		●						○
Ammoniac	50	☉		○	50	●	50	●	50	●	50	●		○	100	☉		☉		●
Aniline	3			○	3	●	3	●	3	●	3	●								○
Benzene	70	☉		○	70	☉	70	☉	70	☉	70	☉			100	●				
Benzene		●		○		●		●		●		●		☉	100	●				●
Benzol		●		○		●		●		●		●		●	100	●		○		○
Non-alcoholic drinks		●		☉		●		●		●		●				●				
Beer		●		○		●		●		●		●		●		●				●
Butter		●		☉		●		●		●		●		●		●				
Sodium carbonate	5	☉		☉	5	●	5	●	5	●	5	●			2	●			Sat.	●
Chloroform	100	●		☉	100	●	100	●	100	●	100	☉		●	100	●				○

● = good resistance ☉ = medium resistance ○ = poor resistance



		Material														Chemical agent								
		Polycarbonate		ABS		Laminate		Polyamide		Polypropylene		Polyethylene PE		Polyethylene HDPE			Polyurethane		Rubber		Polyacetal		PVC	
		%	23°C	%	23°C	%	23°C	%	23°C	%	23°C	%	23°C	%	23°C	%	23°C	%	23°C	%	23°C	%	23°C	
			10 ●		○	Sol. 10	○	Sol.	●	40	⊖					Sol.	○	40	○		●	Sulphuric acid		
			30 ●		⊖		●	98	●		●				10	⊖	Sol.	●	30	⊖		●	Tartaric acid	
					●		●	10	○		○					●		●		○	0.3	●	Chlorinated water	
					●		●		●		●				●		●		●			●	Distilled water	
					●		●		●		●				○		●		●			●	Fresh water	
					●		●		●		●				○		●		●			●	Sea water	
			10 ●		●	Sol. 3	○	30	●		●					Sol. 80	○		○	30	●	●	Oxygenated water	
					⊖						○					○			○			●	Turpentine	
			●		●		●		●		●				●				●			●	Water and soap	
																						○	Alkylphenol ethoxylate	
		96	●	96	●	15	●									○							Ethyl alcohol	
			95	●		●	100	●		●						○		⊖		●			Methyl alcohol	
		Sol.	⊖	10	●		⊖	10	●	30	●					○	Sol.	⊖	Sol.	●		○	Ammoniac	
					●		●		●		●	3	●						⊖	3	○		○	Aniline
					●		●		●		⊖		●			○			●			○	○	Benzene
			○		○		●	100	●		⊖		●			○			○			○	○	Benzol
					●		●		●		●													Non-alcoholic drinks
					●		●		●		●					●		●		●			●	Beer
					●		●		●		●					⊖		●		●			●	Butter
			Sat.	●		⊖	10	●	Sol. Sat.	●		●			Sol. 10	●	Sol.	●		●		●	●	Sodium carbonate
			○		○		●	Sol. 100.	○		⊖		○			○		○		○		○	○	Chloroform

● = good resistance ⊖ = medium resistance ○ = poor resistance



Chemical agent	Material																			
	Anodised aluminium Elox aluminium		Galvanised steel		AISI 303 stainless steel		AISI 304 stainless steel		AISI 316 stainless steel		AISI 430F stainless steel		Nickel-plated steel / brass		Resafon®		Adiprene		Shockproof acrylic	
	%	23°C	%	23°C	%	23°C	%	23°C	%	23°C	%	23°C	%	23°C	%	23°C	%	23°C	%	23°C
Calcium chloride	10	●		○	10	○	10	○	10	○	10	○	●	5	○					●
Ethyl chloride		●		○		●		●		●		●	●							○
Methylene chloride		●		○		●		●		●		●		100	●					
Sodium chloride	5	●		○	5	●	5	●	5	●	5	●	●	10	●					●
Thinners*		●		●		●		●		●		●		100	●					○
Ethyl ether		●		●		●		●		●		●								○
Petroleum ether		●		●		●		●		●		●								○
Formaldehyde	100	●		●	100	●	100	●	100	●	100	●	●				3	●		
Glycerine		●		●		●		●		●		●					7	●		●
Food fats		●		●		●		●		●		●		5	●					
Potassium hydroxide																				
Sodium hypochlorite		○		○		○		○		○		○		●						●
Milk		●		●		●		●		●		●		●						
Mercury		●		○		●		●		●		●		●				●		
Food oils		●		●		●		●		●		●		●						
Mineral oils		●		●		●		●		●		●		●				●		
Vegetable oils		●		●		●		●		●		●		●						
Oxonia																				
Paraffin		●		●		●		●		●		●		●						
Petroleum		●		●		●		●		●		●		●						

\* standard composition: xylol + toluene

\*\* raw aluminium ●

● = good resistance ● = medium resistance ○ = poor resistance



Material														Chemical agent		
Polycarbonate	ABS		Laminate	Polyamide		Polypropylene		Polyethylene PE		Polyethylene HDPE	Polyurethane	Rubber			Polyacetal	PVC
% 23°C	% 23°C	% 23°C	% 23°C	% 23°C	% 23°C	% 23°C	% 23°C	% 23°C	% 23°C	% 23°C	% 23°C	% 23°C	% 23°C	% 23°C	% 23°C	
				☉	10	●	Sol. 50	●	Sat.	●					●	Calcium chloride
				●	100	●	○	○	○						○	Ethyl chloride
		○		☉	Sol. 100	●	☉	☉			○		○	○	○	Methylene chloride
		20	●	●	10	●	Sol. Sat.	●	●		Sol. 10	○	Sol.	●	●	Sodium chloride
		○		●	●	○	○	☉	●		○		○	●	○	Thinners*
	○			●	100	●	●	●	●		○				○	Ethyl ether
				●	Sol. 30	●	Sol. 40	●							●	Petroleum ether
	4	●		☉	●	●	●	●	☉						○	Formaldehyde
	0	●		●	●	●	●	●	●		○		●	●	●	Glycerine
				●	Sol.	●	Sol. 20	●	●			Sol.	●			Food fats
					●	●					○				0.01	Potassium hydroxide
				☉	○	●	●	●	●				○	○	●	Sodium hypochlorite
		●		●	●	●	●	●	●		●		●	●	●	Milk
		●		●	●	●	●	●	●		●		●	●	●	Mercury
		●		●	●	●	●	●	●		●		●	●	●	Food oils
				●	●	●	●	●	●		●		●	●	●	Mineral oils
				●	●	●	●	●	●		●		●	●	●	Vegetable oils
					1	○	●	●	●				○	○	●	Oxonia
				●	●			●	●		●		●	●	●	Paraffin
				●	●			○			●		●	●	●	Petroleum

● = good resistance ☉ = medium resistance ○ = poor resistance



Chemical agent	Material											
	Anodised aluminium Elox aluminium	Galvanised steel	AISI 303 stainless steel	AISI 304 stainless steel	AISI 316 stainless steel	AISI 430F stainless steel	Nickelplated steel / brass	Resafon®	Adiprene	Shockproof acrylic		
	% 23°C	% 23°C	% 23°C	% 23°C	% 23°C	% 23°C	% 23°C	% 23°C	% 23°C	% 23°C		
Tomato (sauce) pH4	●●											
Brine	○	○					○	10				
Caustic soda	○	○	●	●	●	●	●	●	●	2 ●		
Fruit juices	●	●					●		●	●		
Vegetable juices	●	●	●	●	●	●	●	90 ●				
Copper sulphate	5 ●	○	5 ●	5 ●	5 ●	5 ●	5 ●					
Sodium sulphate	●	○	5 ●	5 ●	5 ●	5 ●	5 ●	10 ●		●		
Carbon sulphide	10 ●	○	●	●	●	●	●	0 ●		○		
Carbon tetrachloride	○	○	10 ○	10 ○	10 ○	10 ○	10 ○	●	●	○		
Iodine dye	○	●						○	●			
Trichloroethylene	●	●	●	●	●	●	●	●	●			
Vaseline	●	●							●	●		
Wine	●	●	●	●	●	●	●	●	10 ●	●		
Whisky	100 ●	●	●	●	●	●	●	0 ●		○		
Xylol	●	●	●	●	●	●	●	●				

● = good resistance ● = medium resistance ○ = poor resistance



Material														Chemical agent
Polycarbonate	ABS	Laminate	Polyamide	Polypropylene	Polyethylene PE	Polyethylene HDPE	Polyurethane	Rubber	Polyacetal	PVC				
% 23°C	% 23°C	% 23°C	% 23°C	% 23°C	% 23°C	% 23°C	% 23°C	% 23°C	% 23°C	% 23°C	% 23°C	% 23°C	% 23°C	
														Tomato (sauce) pH4
			●	Sol. 10	52	●				●		●	●	Brine
5	○		○	●	●	25	●		○	●	25	○	●	Caustic soda
		●	●	●	●	●						●	●	Fruit juices
			●	Sol. 10	●	●	Sol. ●					●		Vegetable juices
			●	Sol. 10			Sol. ●		○				●	Copper sulphate
			●	100	●		●		10	●			●	Sodium sulphate
	○	○	●	●	●					○	●			Carbon sulphide
		○	○	●	○	●	●			○	●		○	Carbon tetrachloride
			●	●	●	●	●		○					Iodine dye
			●	●	●	●	●			○			○	Trichloroethylene
		●	●	●	●	●	●			●				Vaseline
	○		●	●	●	●	●			●	●			Wine
			●	●	●	●	●			●				Whisky
			●	○	●	●	●		○	○	●		○	Xylol

● = good resistance ● = medium resistance ○ = poor resistance

## REGULATORY REFERENCES AND INDICATIONS TAKEN FROM UNI EN ISO 13857 : 2008

The tables below were taken from the “technical data sheets” available in complete version on the site [www.bettsistemi.com](http://www.bettsistemi.com)

**Warning:** the purpose of these “technical data sheets” is solely to facilitate interpretation of the standards to which they refer and not to replace them. Bett Sistemi assumes no responsibility for errors and omissions with respect to the originals.

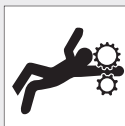
### Legend of the symbols used



Cutting the fingers or hands



Crushing the fingers or hands in presses



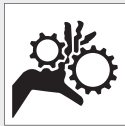
Trapping the arms in forward moving rollers



Trapping the arms in rotating gears



Trapping the arms or upper part of the body in rotating shafts



Trapping the fingers or hands in rotating gears



Trapping the fingers or hands in chain drives



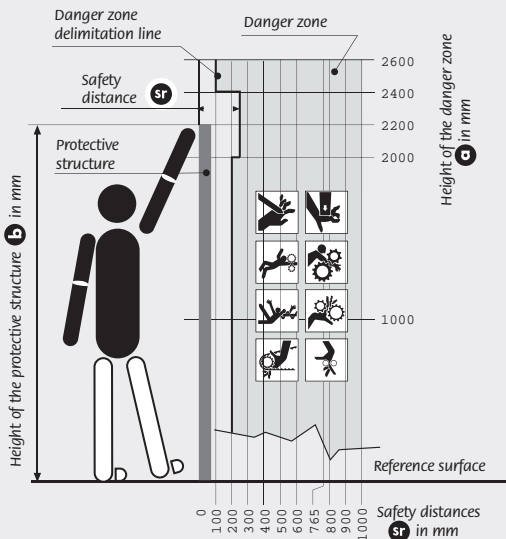
Trapping the fingers or hands in forward moving rollers



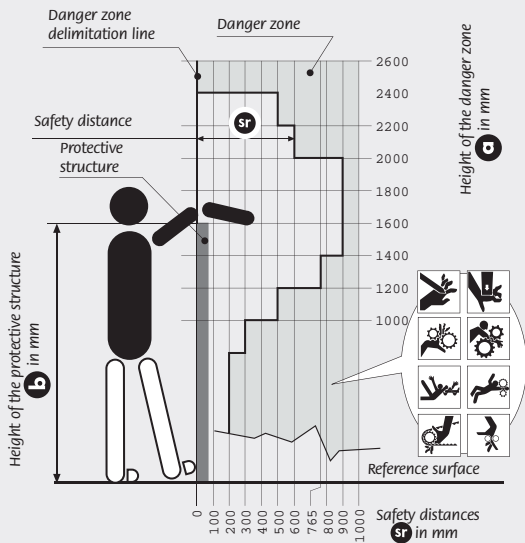
SAFETY DISTANCES FROM THE **LOW-RISK** DANGER ZONE ACCORDING TO "UNI EN ISO 13857 : 2008" (**UPPER LIMBS**)

## Accessibility above the protective structures

**EXAMPLE 1** – Distances from the **low-risk** danger zone for a protective structure with **b** = 2200 mm



**EXAMPLE 2** – Distances from the **low-risk** danger zone for a protective structure with  $b = 1600$  mm



**Technical data sheet 2.F102**

**LEGEND**

**Safety distance  $sr$** : minimum distance at which a protective structure must be positioned with respect to a danger zone.

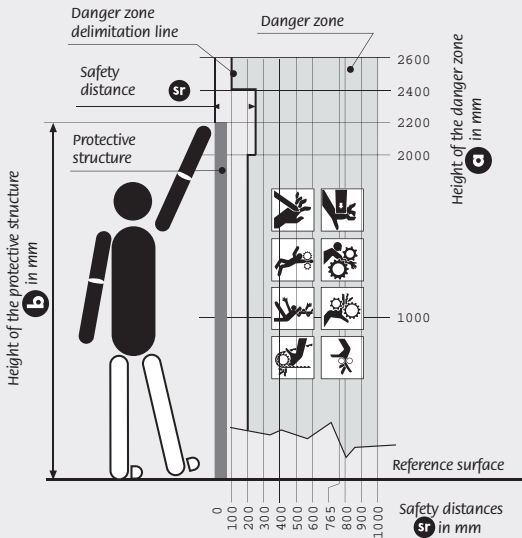
**Protective structure**: physical obstacle, for example, a guard or a machine part that restricts movement of the body and/or one of its parts.



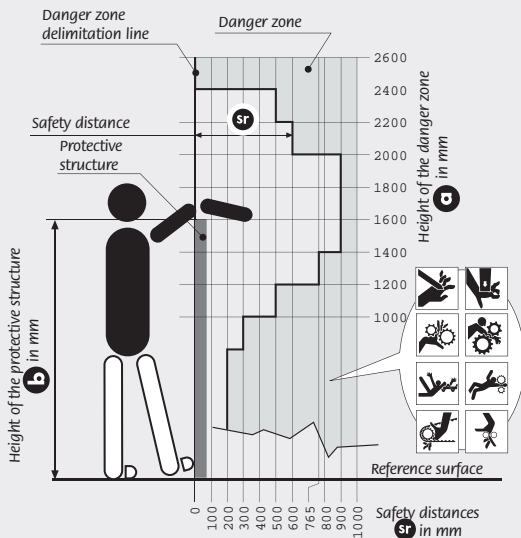
SAFETY DISTANCES FROM THE **HIGH-RISK** DANGER ZONE ACCORDING TO "UNI EN ISO 13857 : 2008" (**UPPER LIMBS**)

## Accessibility above the protective structures

**EXAMPLE 1** – Distances from the **high-risk** danger zone for protective structure with **b** = 2200 mm



**EXAMPLE 2** – Distances from the **high-risk** danger zone for protective structure with **b** = 1600 mm



**Technical data sheet 2.F103**

**LEGEND**

**Safety distance **sr**** : minimum distance at which a protective structure must be positioned with respect to a danger zone.

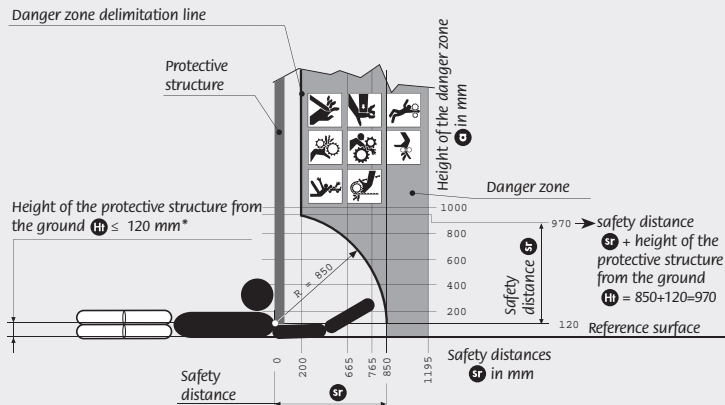
**Protective structure**: physical obstacle, for example, a guard or a machine part that restricts movement of the body and/or one of its parts.



## SAFETY DISTANCES ACCORDING TO "UNI EN ISO 13857 : 2008" (UPPER LIMBS)

### Accessibility below the protective structures

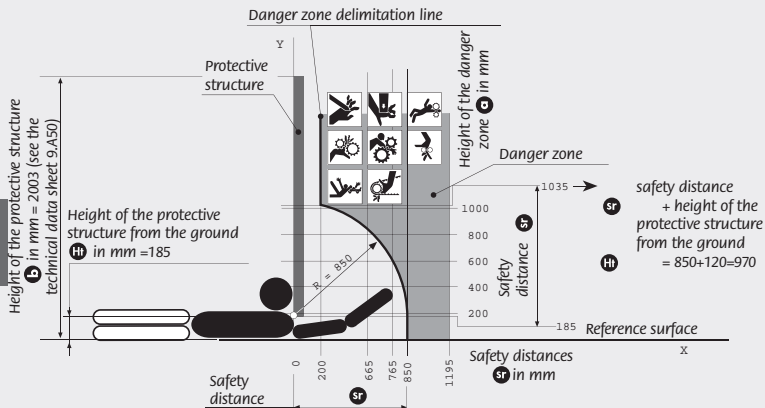
#### EXAMPLE 1



\* If the height of the protective structure from the ground is  $> 120 \text{ mm}$ , see the example on the back.



## EXAMPLE 2



- The centre of the radius described by the curve of the safety distance  $s_r$  is at point «0» of the X-axis and at a distance equal to  $H_t$  (in this case 185) on the Y-axis.

Technical data sheet 2.F103.1

### LEGEND

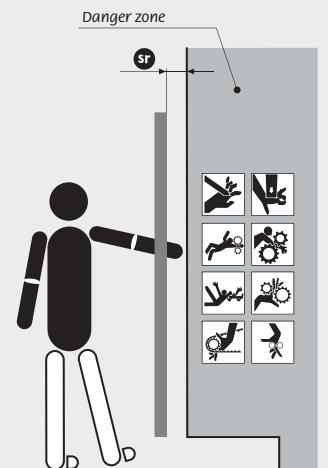
**Safety distance  $s_r$** : minimum distance at which a protective structure must be positioned with respect to a danger zone.

**Protective structure**: physical obstacle, for example, a guard or a machine part that restricts movement of the body and/or one of its parts.



SAFETY DISTANCES ACCORDING TO “UNI EN ISO 13857 : 2008 TABLE IV”  
**(UPPER LIMBS)**

## Accessibility through regular-shaped openings





## Table IV

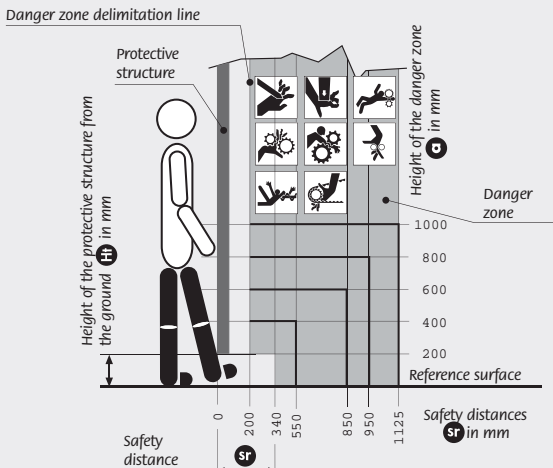
Part of the body	Illustration	Opening	Safety distance, $s$ ,		
			Slit	Square	Round
Finger up to the knuckle		$6 < e \leq 8$	$\geq 20$	$\geq 15$	$\geq 5$
		$8 < e \leq 10$	$\geq 80$	$\geq 25$	$\geq 20$
Hand		$10 < e \leq 12$	$\geq 100$	$\geq 80$	$\geq 80$
		$12 < e \leq 20$	$\geq 120$	$\geq 120$	$\geq 120$
		$20 < e \leq 30$	$\geq 850^{a)}$	$\geq 120$	$\geq 120$
Arm up to the shoulder joint		$30 < e \leq 40$	$\geq 850$	$\geq 200$	$\geq 120$
		$40 < e \leq 120$	$\geq 850$	$\geq 850$	$\geq 850$
The bold lines in the table indicate the part of the body restricted by the size of the opening.					
a) If the length of the slit opening is smaller than or equal to 65 mm, the thumb acts as stop and the safety distance can be reduced to 200 mm.					



## SAFETY DISTANCES ACCORDING TO “UNI EN ISO 13857 : 2008” (LOWER LIMBS)

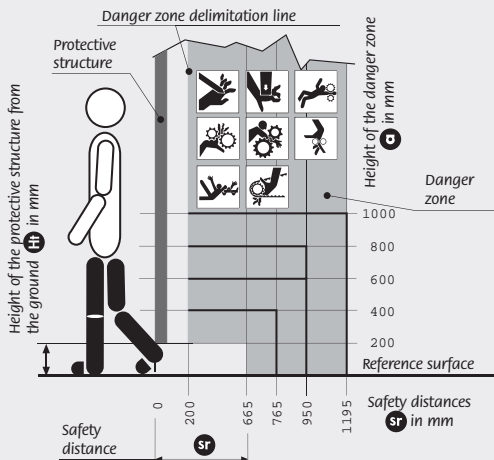
### Accessibility below the protective structures

#### CASE 1



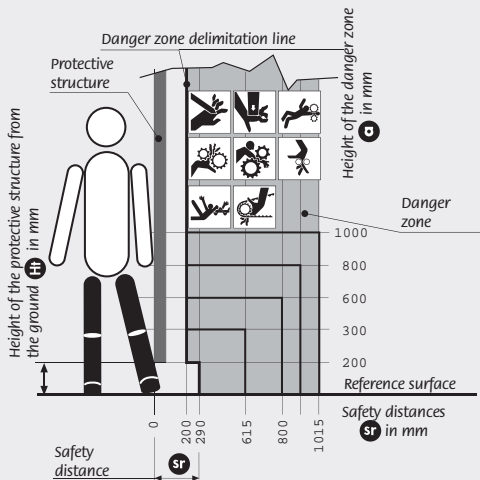


## CASE 2





## CASE 3





845	p. 323	1175	p. 170	1375	p. 244	1613	p. 60
882	p. 437	1177	p. 316	1378	p. 306	1614	p. 78
886	p. 154	1178	p. 184	1379	p. 242	1615	p. 80
912	p. 190	1179	p. 182	1382	p. 255	1616	p. 81
929	p. 411	1180	p. 183	1391	p. 243	1617	p. 82
930	p. 408	1182	p. 181	1406	p. 358	1618	p. 83
931	p. 412	1183	p. 155	1409	p. 199	1619	p. 87
932	p. 409	1185	p. 161	1411	p. 258	1626	p. 341
933	p. 413	1186	p. 432	1412	p. 259	1627	p. 359
934	p. 414	1187	p. 432	1414	p. 197	1628	p. 79
946	p. 410	1188	p. 446	1423	p. 213	1629	p. 104
949	p. 437	1189	p. 447	1424	p. 407	1630	p. 105
963	p. 406	1191	p. 171	1442	p. 338	1633	p. 33
1001	p. 160	1192	p. 172	1445	p. 351	1633	p. 34
1001	p. 165	1193	p. 152	1446	p. 360	1634	p. 27
1101	<b>A</b> p. 136	1195	p. 176	1447	p. 361	1635	p. 58
1101	<b>B</b> p. 137	1196	p. 346	1453	p. 216	1636	p. 96
1101	<b>D</b> p. 138	1197	p. 144	1462	p. 298	1637	p. 97
1101	<b>E</b> p. 139	1209	p. 435	1472	p. 224	1638	p. 99
1106	p. 422	1217	p. 324	1473	p. 100	1639	p. 428
1108	p. 202	1221	p. 153	1483	p. 226	1640	p. 436
1110	p. 67	1227	p. 345	1486	p. 173	1640	p. 436
1110	p. 160	1244	p. 161	1494	p. 381	1642	p. 37
1112	p. 443	1250	<b>A</b> p. 147	1495	p. 382	1643	p. 342
1113	p. 445	1250	<b>B</b> p. 148	1497	p. 383	1644	p. 342
1115	p. 175	1250	<b>D</b> p. 149	1501	p. 352	1645	p. 212
1116	p. 174	1250	<b>E</b> p. 150	1504	p. 354	1646	p. 204
1119	p. 297	1260	p. 185	1554	p. 365	1646	p. 206
1121	p. 141	1261	p. 405	1555	p. 366	1647	p. 440
1122	p. 326	1263	p. 308	1560	p. 177	1648	p. 440
1123	<b>A</b> p. 140	1264	p. 310	1561	p. 178	1661	p. 433
1126	p. 162	1265	p. 302	1586	p. 252	1666	p. 313
1133	p. 344	1269	p. 156	1600	p. 16	1669	p. 201
1134	p. 362	1272	p. 163	1600	<b>A</b> p. 21	1700	p. 363
1140	p. 162	1280	p. 374	1600	<b>B</b> p. 19	1701	p. 364
1146	p. 317	1281	p. 304	1600	<b>D</b> p. 20	1734	p. 337
1146	p. 318	1286	p. 143	1601	p. 24	1740	p. 441
1148	p. 325	1287	p. 194	1602	p. 28	1741	p. 441
1150	p. 151	1288	p. 404	1603	p. 29	1742	p. 442
1151	p. 203	1289	p. 167	1604	p. 66	1746	p. 22
1152	p. 222	1290	p. 168	1605	p. 68	1747	p. 23
1157	p. 376	1291	p. 169	1606	p. 69	1748	p. 18
1158	p. 423	1324	p. 146	1607	p. 70	1749	p. 25
1159	p. 425	1333	p. 314	1608	p. 71	1750	p. 26
1160	p. 192	1359	p. 418	1610	<b>A</b> p. 48	1751	p. 53
1164	p. 142	1367	p. 419	1610	<b>D</b> p. 51	1752	p. 54
1165	p. 145	1368	p. 419	1611	p. 55	1753	p. 50
1167	p. 164	1374	p. 256	1612	p. 59	1754	p. 56



1755	p. 57	1945	p. 343	2532	<b>H</b>	p. 237	3217	p. 43
1756	p. 107	1946	p. 343	2532	<b>I</b>	p. 239	3217	p. 44
1757	p. 107	2012	p. 163	2532	<b>L</b>	p. 231	3227	p. 205
1758	p. 108	2012	p. 278	2532	<b>M</b>	p. 233	3237	p. 211
1759	p. 108	2021	p. 370	2544		p. 312	3247	p. 209
1760	p. 433	2035	p. 264	2580		p. 416	3257	p. 283
1761	p. 434	2048	p. 246	2581		p. 417	3344	p. 215
1762	p. 435	2074	p. 251	2588		p. 180	3349	p. 357
1777	p. 315	2075	p. 250	2596		p. 257	3350	p. 355
1791	p. 214	2078	p. 31	2599		p. 329	3363	p. 384
1792	p. 254	2079	p. 61	2626		p. 368	3711	p. 327
1793	p. 245	2087	p. 247	2636		p. 228	3742	p. 353
1800	p. 200	2091	p. 276	2637		p. 266	3744	p. 356
1801	p. 227	2092	p. 106	2637		p. 267	3752	p. 32
1802	p. 218	2121	p. 390	2638		p. 260	3753	p. 62
1815	p. 424	2122	p. 391	2638		p. 261	3754	p. 378
1821	p. 75	2123	p. 393	2639		p. 262	3755	p. 379
1822	p. 91	2124	p. 395	2639		p. 263	3818	p. 282
1823	p. 92	2136	p. 328	2653		p. 293	4095	p. 286
1824	p. 89	2234	p. 390	2672		p. 72	4102	p. 248
1825	p. 90	2323	p. 322	2673		p. 84	4118	p. 288
1827	p. 40	2328	p. 336	2773		p. 379	4127	p. 198
1830	p. 389	2399	p. 179	2837		p. 378	4138	p. 444
1831	p. 387	2427	p. 280	2848		p. 367	4147	p. 333
1832	p. 387	2442	p. 221	2865		p. 196	4156	p. 369
1833	p. 389	2470	p. 299	2903		p. 301	4162	p. 421
1834	p. 388	2473	p. 393	2932		p. 296	4163	p. 420
1835	p. 388	2474	p. 434	2939		p. 73	4164	p. 421
1837	p. 279	2475	p. 394	2940		p. 85	4165	p. 420
1839	p. 102	2476	p. 394	2948		p. 292	4194	p. 268
1844	p. 335	2477	p. 396	2949		p. 289	4194	p. 269
1845	p. 334	2478	p. 396	2950		p. 285	4195	p. 270
1848	p. 284	2479	p. 395	2956		p. 290	4195	p. 271
1850	p. 208	2480	p. 397	2958		p. 291	8030	p. 277
1854	p. 210	2481	p. 397	2963		p. 74	ILT	p. 277
1858	p. 330	2482	p. 398	2964		p. 86		
1859	p. 331	2483	p. 398	3011		p. 385		
1860	p. 332	2484	p. 399	3012		p. 385		
1868	p. 426	2485	p. 399	3013		p. 386		
1873	p. 445	2486	p. 400	3024		p. 98		
1877	p. 220	2487	p. 401	3058		p. 101		
1888	p. 428	2532	<b>A</b>	3059		p. 30		
1889	p. 427	2532	<b>B</b>	3060		p. 300		
1895	p. 377	2532	<b>C</b>	3077		p. 88		
1902	p. 272	2532	<b>D</b>	3078		p. 38		
1931	p. 274	2532	<b>E</b>	3197		p. 35		
1937	p. 17	2532	<b>F</b>	3207		p. 41		
1938	p. 49	2532	<b>G</b>	3207		p. 42		

pg. 486



Resistance to  
chemical agents



## 1 - APPLICATION AND ENFORCEABILITY OF THE GENERAL CONDITIONS OF SALE

These general conditions of sale are systematically sent or delivered to purchasers to enable them to transmit their orders. Consequently, passing an order to BETT SISTEMI entails the purchaser's full acceptance of these conditions of sale, with no reservations whatsoever, with the exclusion of any further documents such as catalogues or brochures published by the seller, provided strictly for information purposes and having a purely indicative nature; this shall apply regardless of any provisions to the contrary shown in the client's order forms. Any conditions other than those relating to the specifications of those parts to be made to measure (customised) established by the purchaser shall therefore - unless expressly approved - be unenforceable on the seller, regardless of the time or moment they are communicated.

Only the specifications of the parts to be customised can supplement these general conditions of sale.

Any failure on the part of the seller to enforce any of the following provisions at any time shall not be construed as a waiver of any right at any future time.

## 2 - ORDER

The order must be transmitted by the client in writing to BETT SISTEMI. Any telephone orders shall therefore need to be confirmed in writing by the client within 24 hours of the call. Failure to do so will cause the order not to be taken into consideration. The sales contract will be considered valid and therefore perfected and final only upon acceptance of the order by BETT SISTEMI. As evidence of acceptance by BETT SISTEMI, the latter shall send the client an order confirmation.

Any changes by BETT SISTEMI to the clients' Orders, shown in the confirmation letter sent to the client, shall be considered accepted by the same should the client fail to send any written observations within 24 hours.

Orders for an amount below 40 euros, VAT not included, will not be accepted.

## 3 - CHANGES TO THE ORDER

Any changes or cancellations of the order requested by the client will be taken into consideration only where made in writing, and received prior to dispatch of the products (standard products) or to the start of production (customised or made-to-measure products) and if expressly accepted by BETT SISTEMI via fax, to be sent to the client within 24 hours of the request for change. Should any of the conditions not be complied with, the products initially ordered shall be delivered as originally agreed and shall have to be paid for aforesaid.

## 4 - PRICE

All prices shown in our catalogue are non-inclusive of VAT. Value added tax at the applicable rate and transport expenses shall therefore be added (for orders amounting to less than 80 Euros, VAT excluded).

Unless otherwise agreed, products are sold at the price applicable at the time of the order. The prices for the products mentioned in the catalogue are those applicable at the date of publication of the aforementioned catalogue, shown on the cover. Prices may be changed at any time.

## 5 - DELIVERY - PROCEDURES - TERMS

### A - TERMS

Parts already in stock at the time of order acceptance may be available or dispatched within a maximum time-frame of 72 hours as of our acceptance (payment by bank wire transfer or PayPal); in the case of payments by bank wire transfer, the parts already in stock may be available or dispatched after 72 hours minimum as of our acceptance.

As for parts in the catalogue that are not in stock at the time of acceptance of the order or for special parts, an indication of the lead time will be communicated upon order acceptance.



The estimated delivery terms are purely indicative and may not give rise, under any circumstance, to indemnity claims for delay, compensation for damages, non-payments or cancellations of open orders, regardless of the causes, gravity and consequences of the delay. BETT SISTEMI shall be relieved from all delivery obligations in the case of force majeure events such as, by way of example and not limited thereto, wars, riots, fire, strikes, natural disasters, impossibility to receive supplies.

## B – DELIVERY

Unless otherwise agreed, the products shall be delivered directly to the client, at the works of BETT SISTEMI in Correggio 42015 (Italy) or to the carrier chosen by BETT SISTEMI or the same client.

Products are sold ex works Correggio 42015 Italy (works of BETT SISTEMI) and they are transported at the risk of the recipient in derogation to the retention of title clause of BETT SISTEMI, shown hereinafter.

Unless otherwise expressly agreed, transport shall be ex-works, at the client's expense, by the carrier chosen by BETT SISTEMI, or failing that, by the carrier chosen by the same client.

Should any damage or failure occur during transport, it will be the client's responsibility to make all the necessary claims and objections within 8 days of receipt of the goods (as shown at the bottom of the sale invoice).

BETT SISTEMI shall be entitled to make partial deliveries.

## C – RECEIPT

Without prejudice to the provisions vis-à-vis the carrier, complaints regarding visible defects or non-conformity of the product delivered, of the product ordered or the dispatch note, shall be made in writing by and not later than thirty days following the arrival of the products, on pain of forfeiture of the same right.

The purchaser shall provide valid grounds to prove the existence of the actual defect or anomaly ascertained. The purchaser shall allow the seller to ascertain the existence of the said defects and to provide a remedy. The purchaser shall refrain from intervening directly or from causing third parties to intervene to that end.

By way of warranty, the only obligation for the seller shall involve the replacement, free of charge, or the repair of the product or the item recognised to be defective through its own service. Products covered by a warranty shall first be submitted to the seller's after-sales service for examination, this department's approval being required for any replacement to be granted. Transport expenses shall be charged to the purchaser if the warranty is not applicable.

## 6 - PAYMENT - METHODS

Our invoices, sent along with the ordered items, can be settled as follows:

- Credit card
- PayPal
- Bank wire transfer or other methods agreed with BETT SISTEMI at the time of order confirmation; the choice of any payment method shall not change the payment due date.

No discounts will be granted for advance payments.

## 7 – LATE PAYMENT OR NON-PAYMENT -

Failure to pay by the due date shall entitle us to charge interests on arrears as provided for by the Italian Legislative Decree 231/02 and to claim the costs incurred for payment collection. In the event of a payment extension, we will apply the monthly interest rate referred to in the aforementioned Legislative Decree to the same extension granted.



## 8 - WARRANTY

BETT SISTEMI's products are covered by warranty against any hidden defects or flaws of the products sold under the terms provided for in article 1476 of the Italian Civil Code.

In the event of customised products, BETT SISTEMI undertakes to manufacture products conforming to the specifications given by the client, without however guaranteeing in any way whatsoever its operating nature, which shall be exclusively evaluated by the client. The client is the sole party responsible for the information transmitted to BETT SISTEMI.

As for standard products, BETT SISTEMI guarantees their conformity with the specifications shown in the catalogue. BETT SISTEMI cannot be held responsible and/or the warranty shall not be applicable upon expiry of the terms according to the law and cannot give rise to any indemnity claim.

Any use of the standard products is made on the sole responsibility of the purchaser, who declares to have examined the technical specifications of the products purchased and deems them suitable for his specific intended use.

Should a customised product infringe the rights of third parties, the client agrees to reimburse all costs (for proceedings, indemnification, damage compensation, legal advice and other consulting expenses) which BETT SISTEMI should incur in connection thereof and to take an active part in its defence.

The warranty shall not be applicable if the products sold have been changed or tampered with or if they are used in a manner or in conditions which are improper or inconsistent with their characteristics, intended use or standards applicable (in particular, in the event of use or installation in aircrafts and/or space vehicles for which the said products are absolutely unsuited).

**TRANSFER OF RISK** The moment the goods are delivered at the destination, the risks of improper use of the product, loss, direct or indirect damage shall be borne by the purchaser.

## 9 - RETURNS - PROCEDURES

Any returns of products shall be formally agreed in writing between the seller and the purchaser and sent via fax (0522/635222), e-mail (bsistemi@bettsistemi.com), or by registered mail with advice of receipt. Should any products be returned without the aforementioned express agreement, they will be kept at the purchaser's disposal and shall not entitle to any compensation or refunds.

At any rate, returns shall not be accepted after thirty days following receipt of the goods. Expenses and risks related to the products returned shall always be charged to the purchaser. All returns must be sent to our factory. The choice of carrier is at our discretion.

The collection of a product by the seller shall entitle the purchaser to a refund for a period of six months as of the date the right was established. The products to be returned shall be intact and in proper working order, this being an essential condition if the client wishes to exercise the right of withdrawal.

Should there be visible defects or in the event of non-conformity of the products delivered, duly assessed by the seller, the purchaser shall be entitled either to the replacement of the products free of charge or to a refund for those products, at the seller's discretion. The purchaser shall not however be entitled to any indemnification or compensation of any kind.

## 10 - RETENTION OF TITLE

The ownership of standard parts or customised parts shall be transferred only subject to full payment of the price in principal and any accessory costs, it being understood that the payment shall be considered effected on the day the related sums are actually cashed by BETT SISTEMI.

Notwithstanding the provisions set forth in the foregoing paragraph, any and all risks shall be transferred to the client at the time of dispatch or delivery of the goods by BETT SISTEMI (in particular the risk of loss, deterioration and damage caused by the items sent).



Whenever a client sends a device or equipment in order to have a part manufactured, that is to be incorporated into, or that is to complete the aforementioned device or equipment, the client remains the owner thereof, bears the transport costs and the costs for the item to be re-delivered, assumes the risks connected with transport, any adjustment or transformation by BETT SISTEMI and any damage that this may cause.

## 11 – NON-FULFILMENT

In the event that the purchaser does not fulfil even only one of the obligations set out herein, or becomes subject to bankruptcy or insolvency proceedings, requests suspension of payments, liquidates or transfers his activity, his properties are repossessed or sequestered in whole or in part, does not present upon our request guarantees for the balance of the purchase price agreed upon, we reserve the right to recede from the contractual obligation stipulated with the purchaser or to recede from the part of the contract not yet executed, even without resort to legal proceedings, and we shall have the right to re-enter into possession of all the goods already delivered and for which the counterparty has not fully and exactly performed his obligations in relation thereto.

## 12 – SUSPENSION/TERMINATION CONDITIONS

The company undertakes to fulfil the undersigned agreements on condition that the counterparty proves his full and certain solvency in relation to the negotiations to be concluded. Furthermore, the Company shall have the right, at its own discretion, to request the purchaser to provide payment guarantees to the extent requested by the Company and also to suspend execution of the agreement until said requests have been fully satisfied.

## 13 – APPLICABLE LAW

### A – JURISDICTION

Pursuant to art.23 of Council Regulation EC44/2001 of 22 December 2000, the parties mutually agree that any dispute, none excluded nor excepted, relating to the interpretation, execution and termination of this contract shall be exclusively referred to the Italian Judicial Authorities.

### B – TERRITORIAL JURISDICTION

**Any dispute, none excluded, relating to the interpretation, execution and termination of this contract, including events of connection, shall be solely ruled upon by the Court of Reggio Emilia, in Italy.**

## Continual improvement

---

**Dear Customer,**

with the aim of continually improving our services, your opinion is of major importance to us. We would appreciate not only knowing your opinion, but also receiving comments, proposals or suggestions.

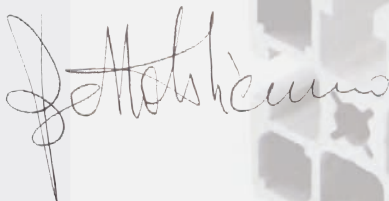
This area is dedicated to this. If you wish, you may send us an email to [bsistemi@bettsistemi.com](mailto:bsistemi@bettsistemi.com), or a fax using the attached form, to be sent to +39.0522.635222.

We will be glad to answer your requests and consider your suggestions.

Kind regards

The Management

**BETTI** SISTEMI



*Bettini*





















